



US00D371484S

United States Patent [19]
Munoz

[11] **Patent Number: Des. 371,484**

[45] **Date of Patent: **Jul. 9, 1996**

[54] **SHELF WITH HOOKS**

4,140,256 2/1979 King 211/181 X

[75] Inventor: **Raul Munoz**, Chicago, Ill.

Primary Examiner—Brian N. Vinson

[73] Assignee: **Selfix, Inc.**, Chicago, Ill.

Attorney, Agent, or Firm—Dressler, Goldsmith, Shore & Milnamow, Ltd.

[**] Term: **14 Years**

[57] **CLAIM**

[21] Appl. No.: **42,368**

The ornamental design for a shelf with hooks, as shown and described.

[22] Filed: **Aug. 9, 1995**

[52] **U.S. Cl.** **D6/566**

[58] **Field of Search** D6/524-525, 566,
D6/569, 572; 211/13, 86-88, 90, 113, 119,
126, 134, 181

DESCRIPTION

FIG. 1 is a perspective view of a shelf with hooks showing my new design;
FIG. 2 is a left side elevational view thereof (the left side being a mirror image thereof);
FIG. 3 is a front elevational view thereof;
FIG. 4 is a rear elevational view thereof;
FIG. 5 is a top plan view thereof; and,
FIG. 6 is a bottom plan view thereof.

[56] **References Cited**

U.S. PATENT DOCUMENTS

- D. 342,845 1/1994 Pentz D6/566 X
- D. 351,750 10/1994 Sweeney D6/525
- D. 363,208 10/1995 Seidel D6/566 X
- D. 365,239 12/1995 Emery et al. D6/566

1 Claim, 4 Drawing Sheets

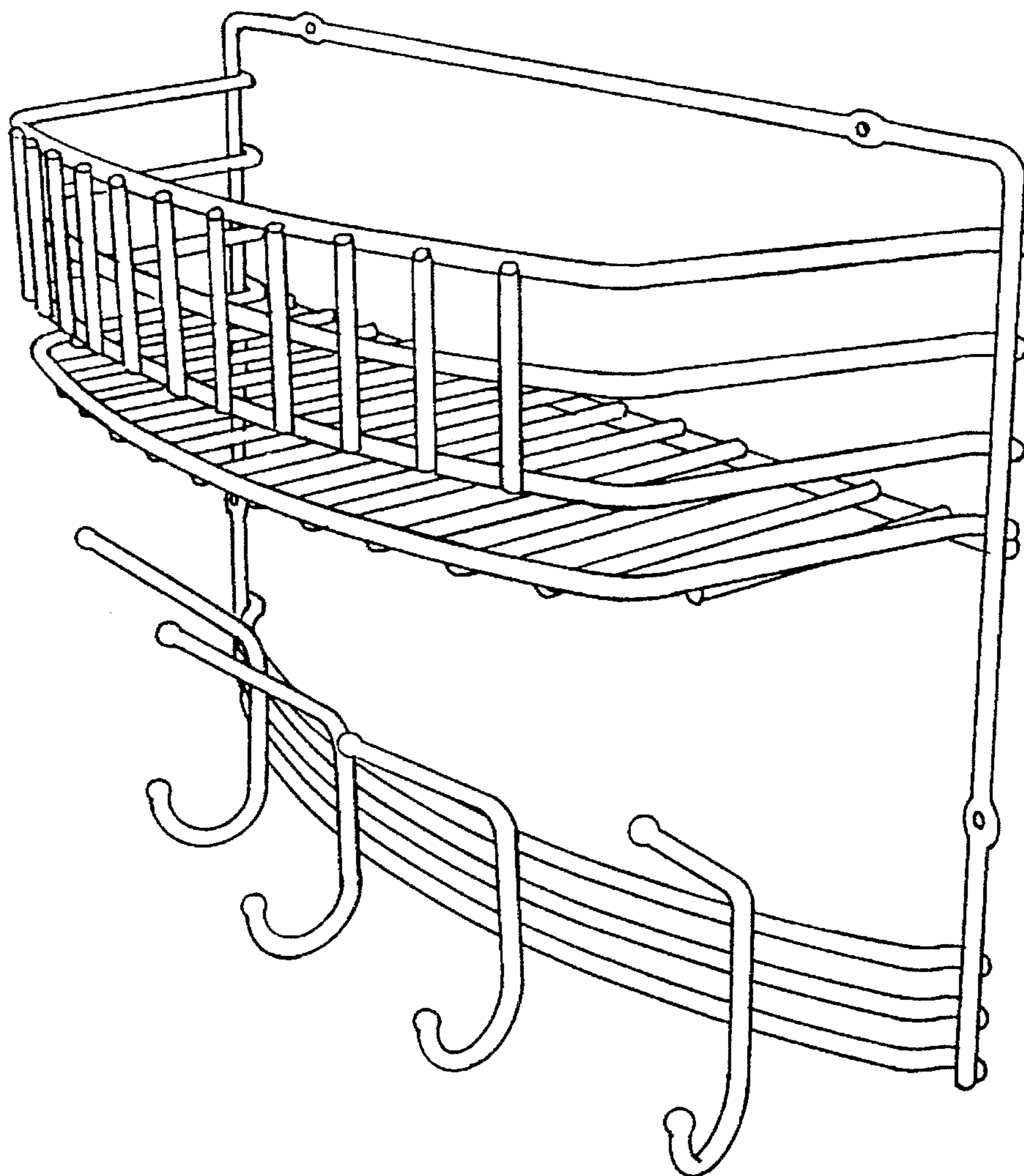


FIG. 2

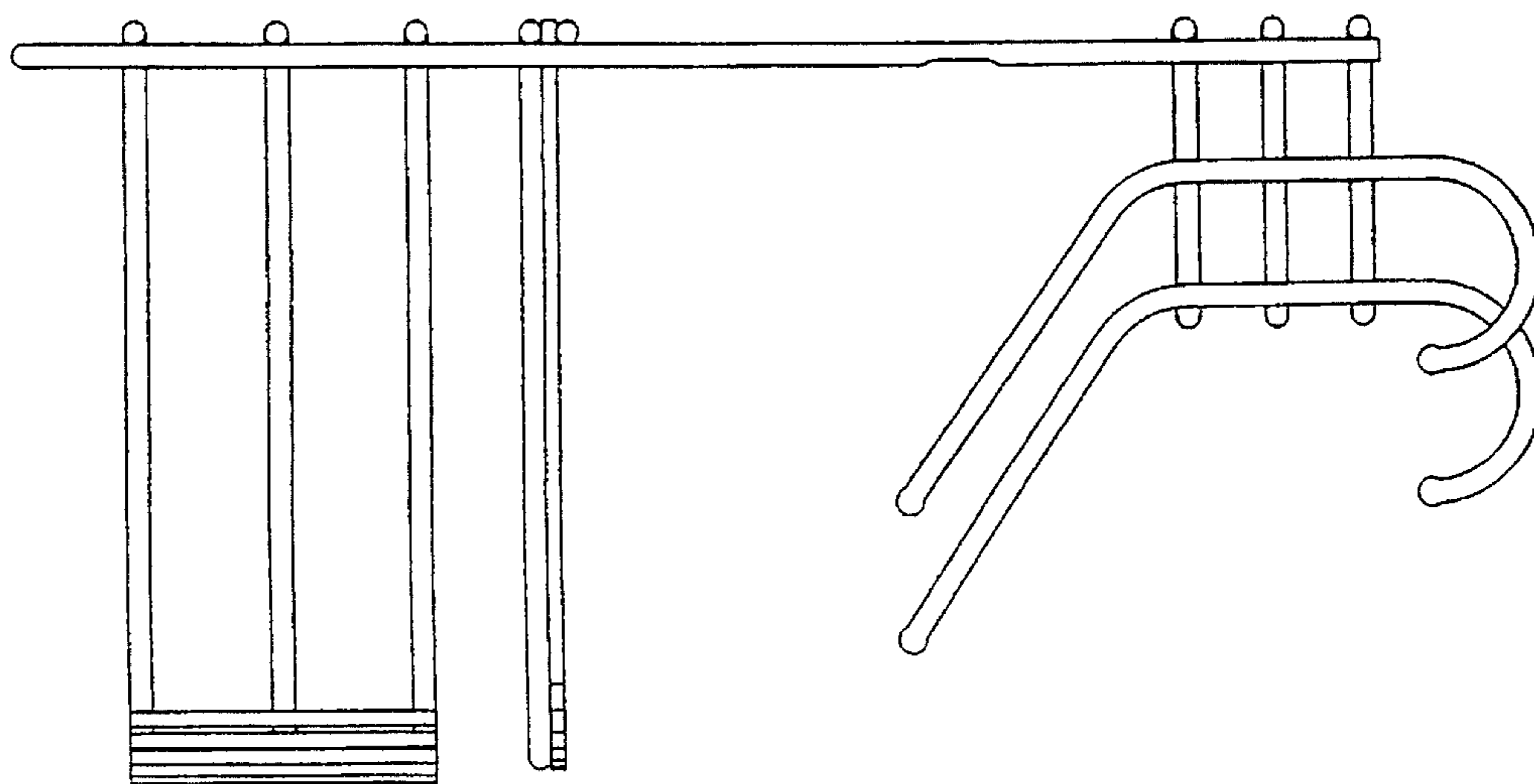
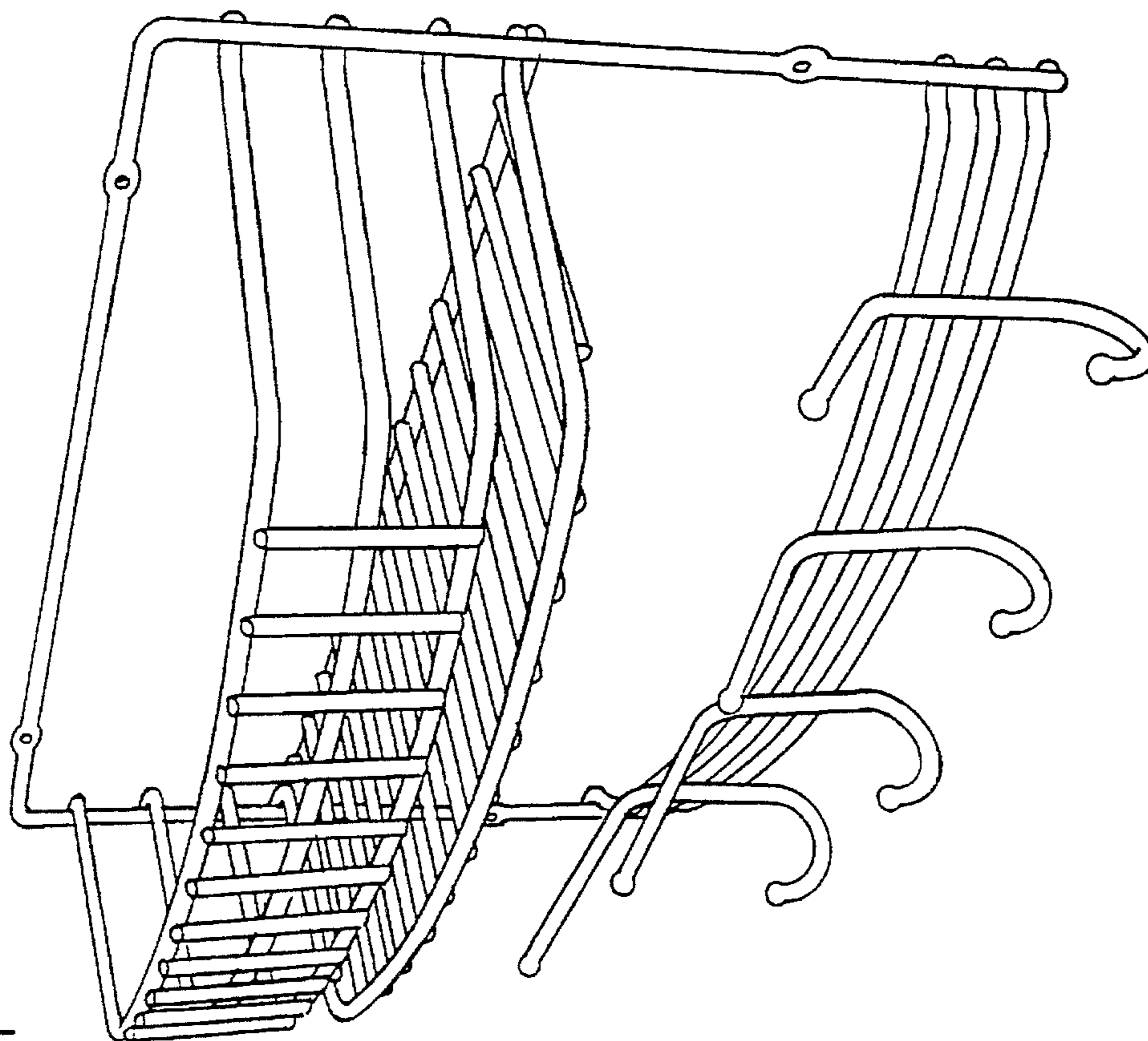


FIG. 1



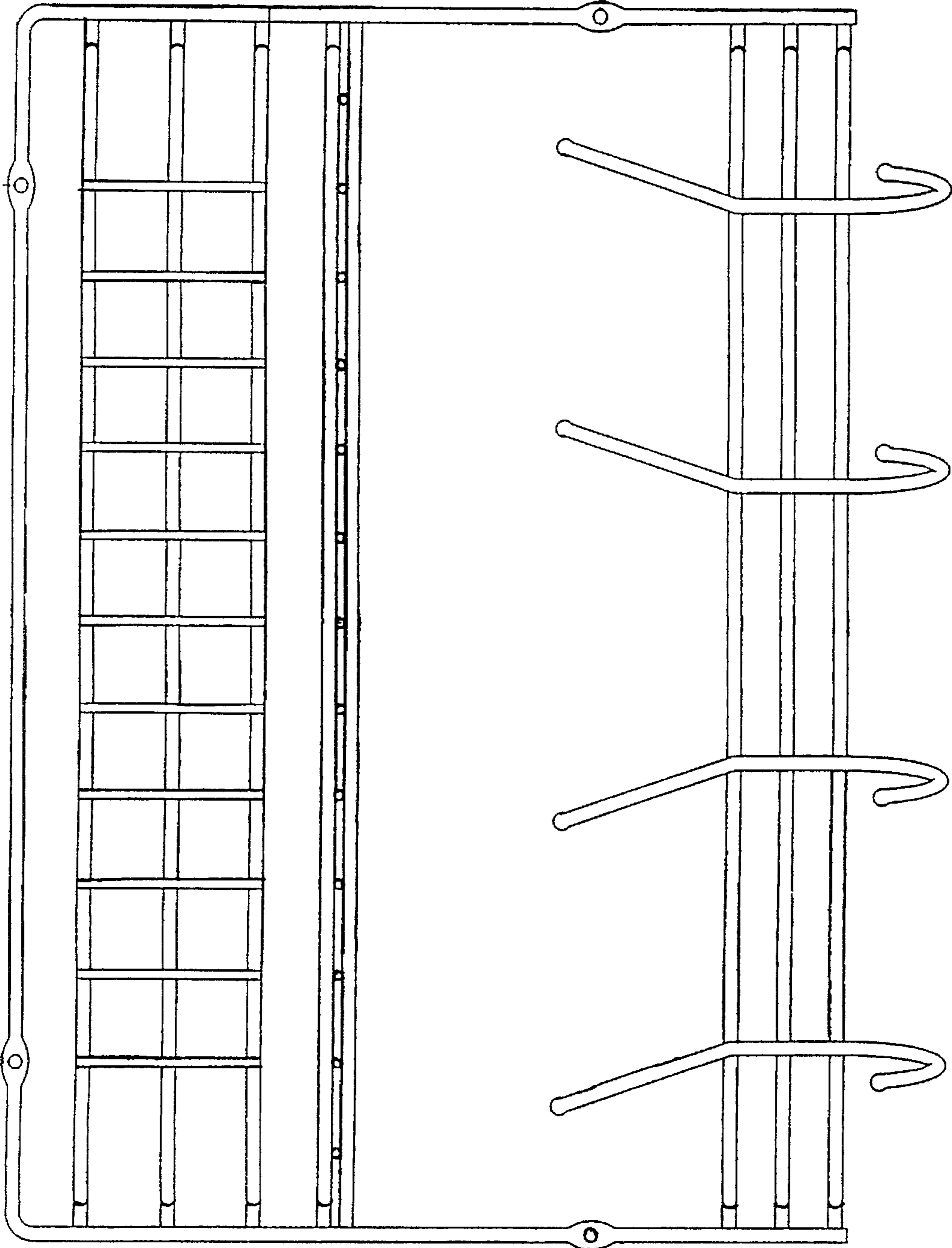


FIG. 3

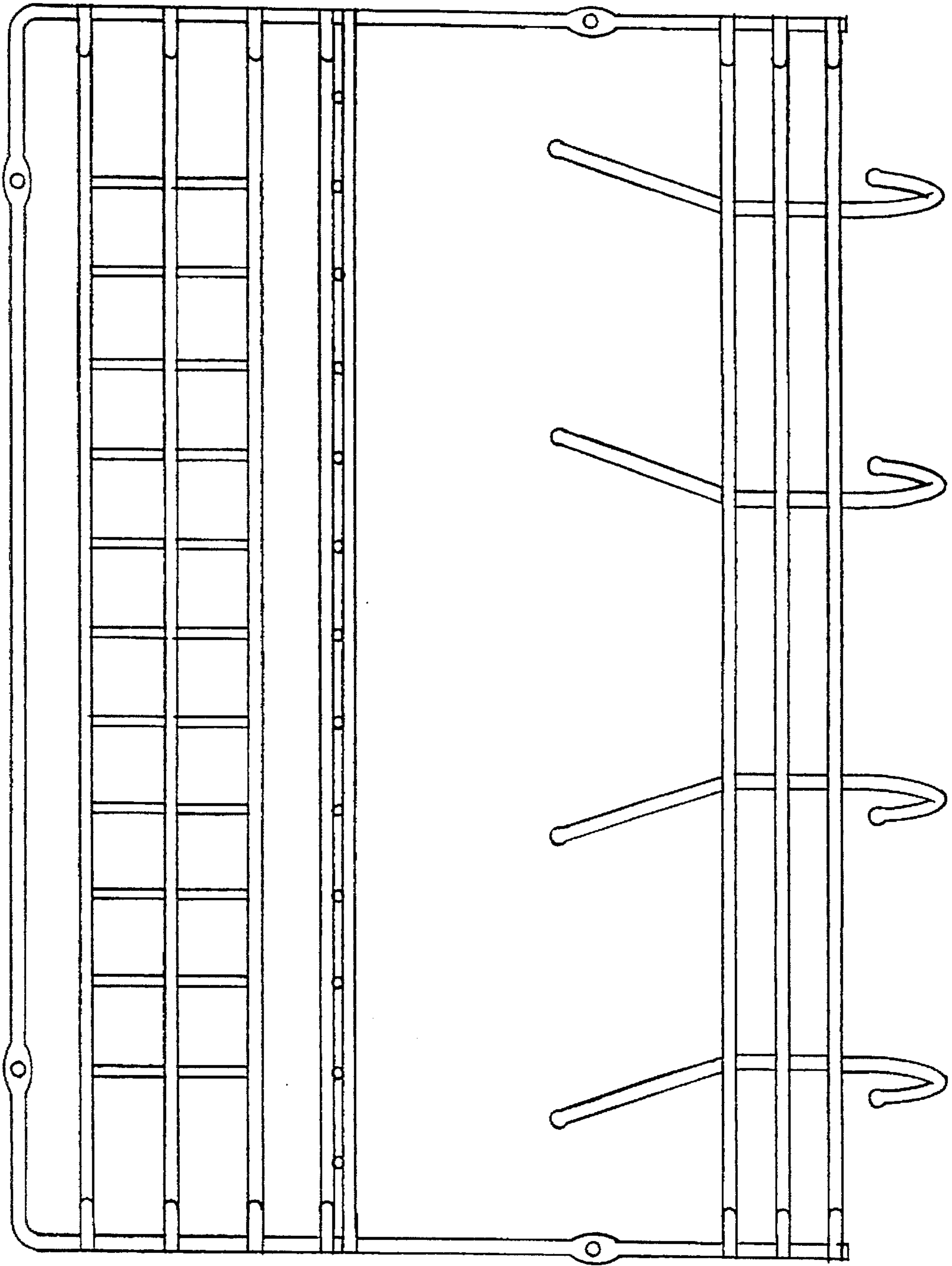


FIG. 4

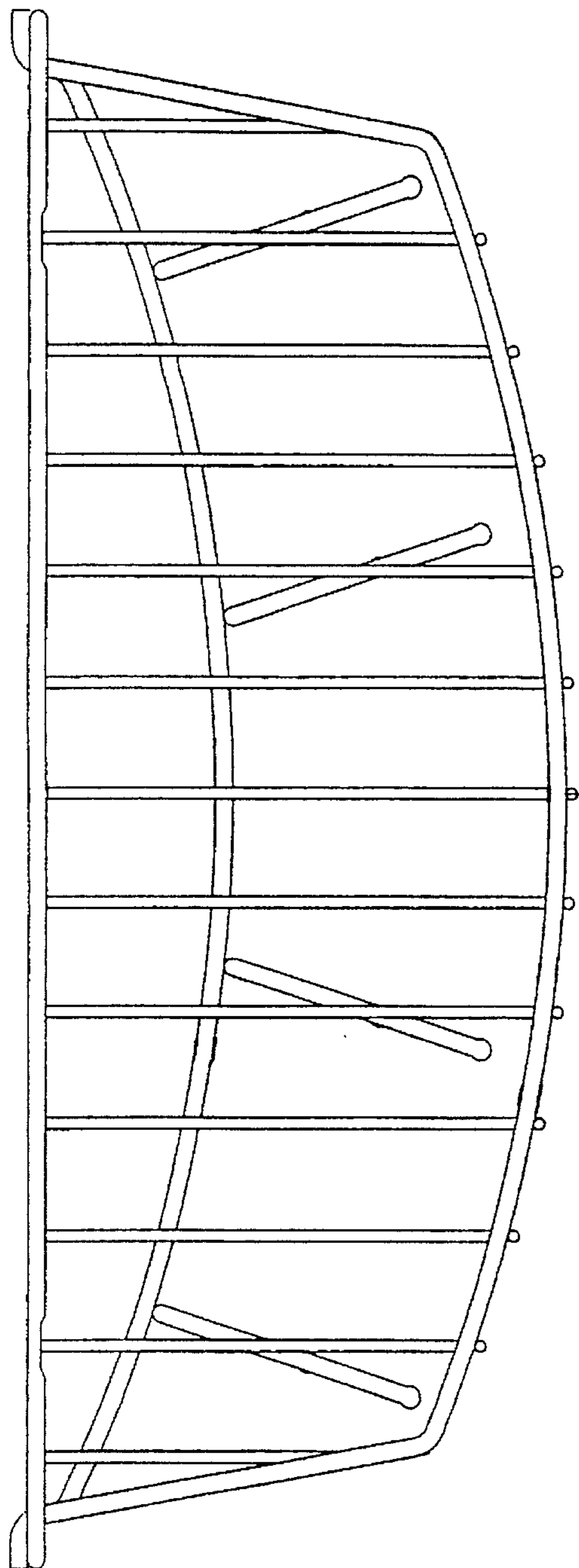


FIG. 5

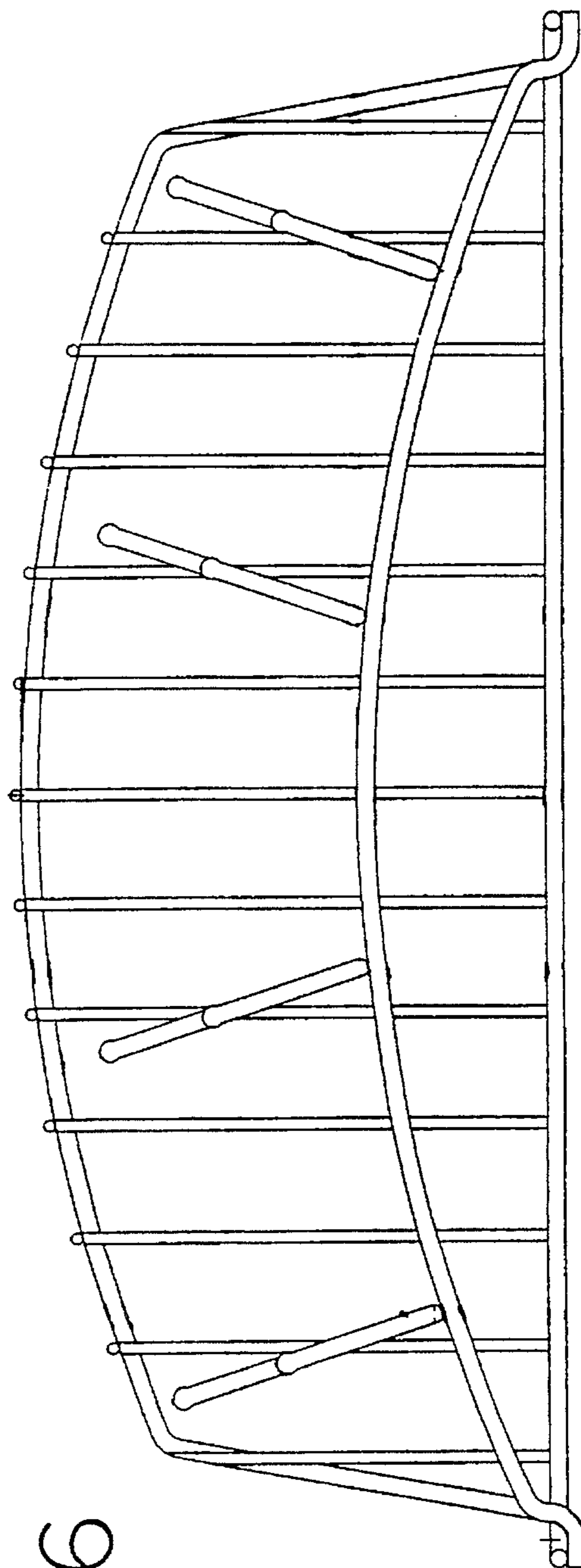


FIG. 6