



US00D371482S

United States Patent [19]
Cole, Sr.

[11] **Patent Number: Des. 371,482**

[45] **Date of Patent: **Jul. 9, 1996**

[54] **COMPACT DISC HOLDER**

5,462,158 10/1995 Kramer 206/307

[76] Inventor: **J. R. Cole, Sr.**, 435 Minuet La.,
Charlotte, N.C. 28217

Primary Examiner—James M. Gandy
Assistant Examiner—Stacia Sinuik
Attorney, Agent, or Firm—Shefte, Pinckney & Sawyer

[**] Term: **14 Years**

[57] **CLAIM**

[21] Appl. No.: **37,301**

The ornamental design for a compact disc holder, as shown and described.

[22] Filed: **Apr. 10, 1995**

[52] U.S. Cl. **D6/626**

DESCRIPTION

[58] **Field of Search** D6/407, 626-635,
D6/448, 468; D3/207, 218, 249, 304; D19/26,
74-76; D9/432, 424-425; 206/307, 307.1,
308.1, 308.3, 309-313, 316.1, 387.1, 408,
411, 425, 45.2, 45.23; 312/9.1-9.2; 211/40-42

FIG. 1 is a perspective view of a compact disc holder showing my design, it being understood that the broken lines are for illustrative purposes only and form no part of the claimed design;

[56] **References Cited**

FIG. 2 is a top plan view of the compact disc holder illustrated in FIG. 1; and,

U.S. PATENT DOCUMENTS

FIG. 3 is a side view of the compact disc holder illustrated in FIG. 1, the side view being representative of all side, front and back views due to the symmetry of the present invention.

D. 335,215	5/1993	Stumpff	D6/626	X
D. 351,963	11/1994	Lim	D6/627	X
5,048,681	9/1991	Henkel	206/312	
5,101,971	4/1992	Grobecker	206/308.1	X
5,383,553	1/1995	Lammerant et al.	306/309	
5,402,882	4/1995	Bandy et al.	206/310	
5,433,319	7/1995	Tang	206/308.1	

The bottom of the compact disk holder is flat and unornamented.

1 Claim, 1 Drawing Sheet

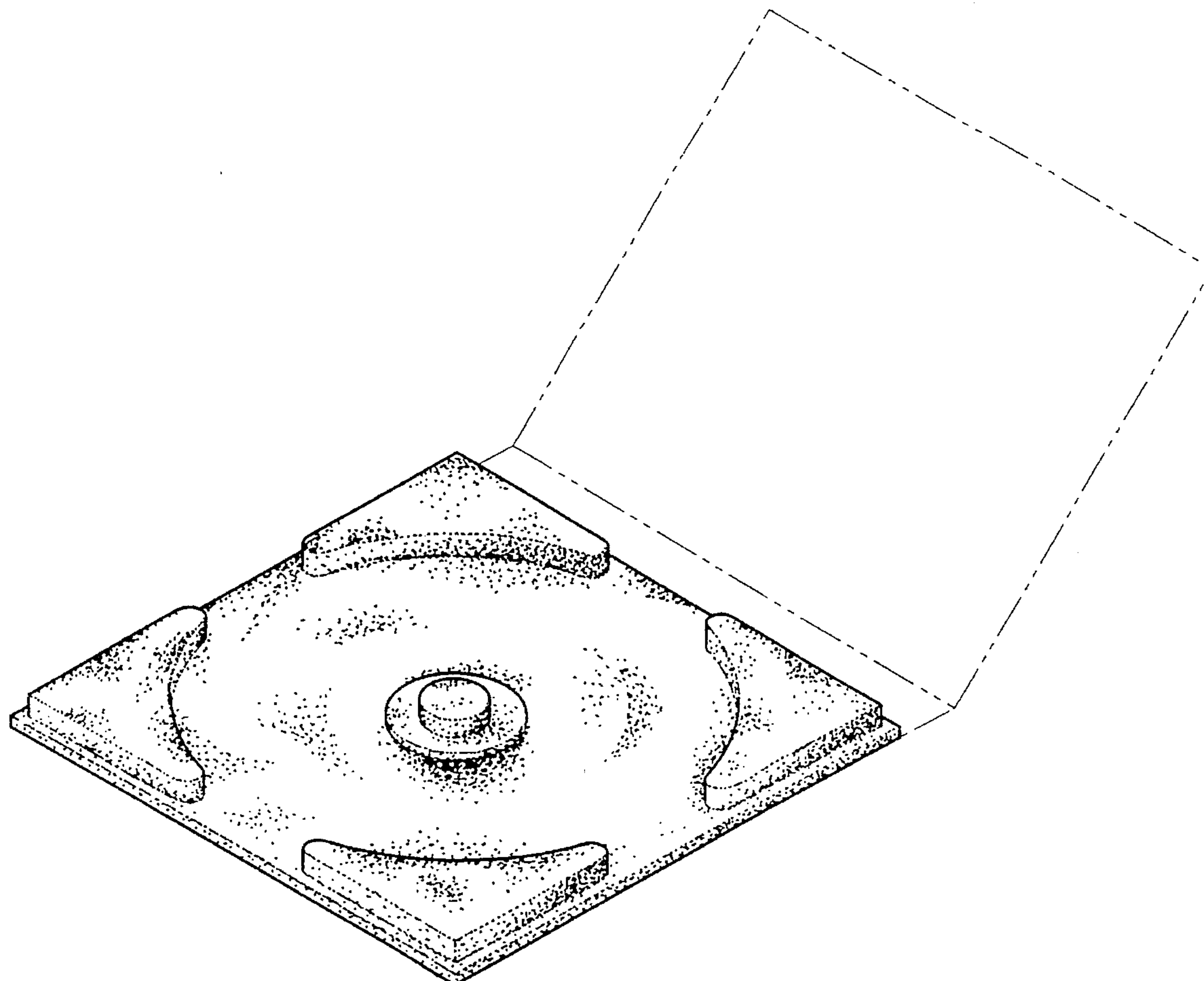


Fig. 1

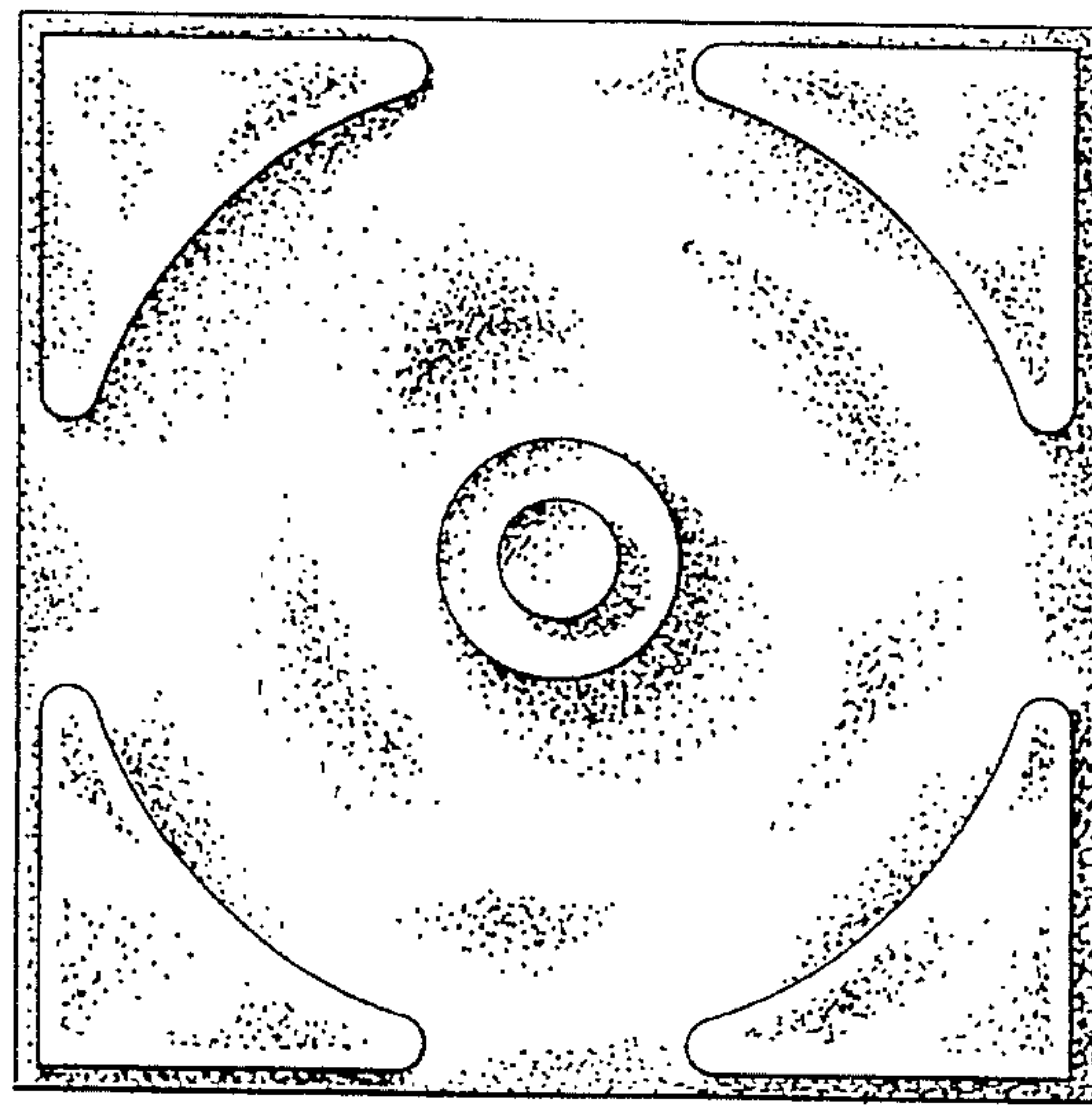
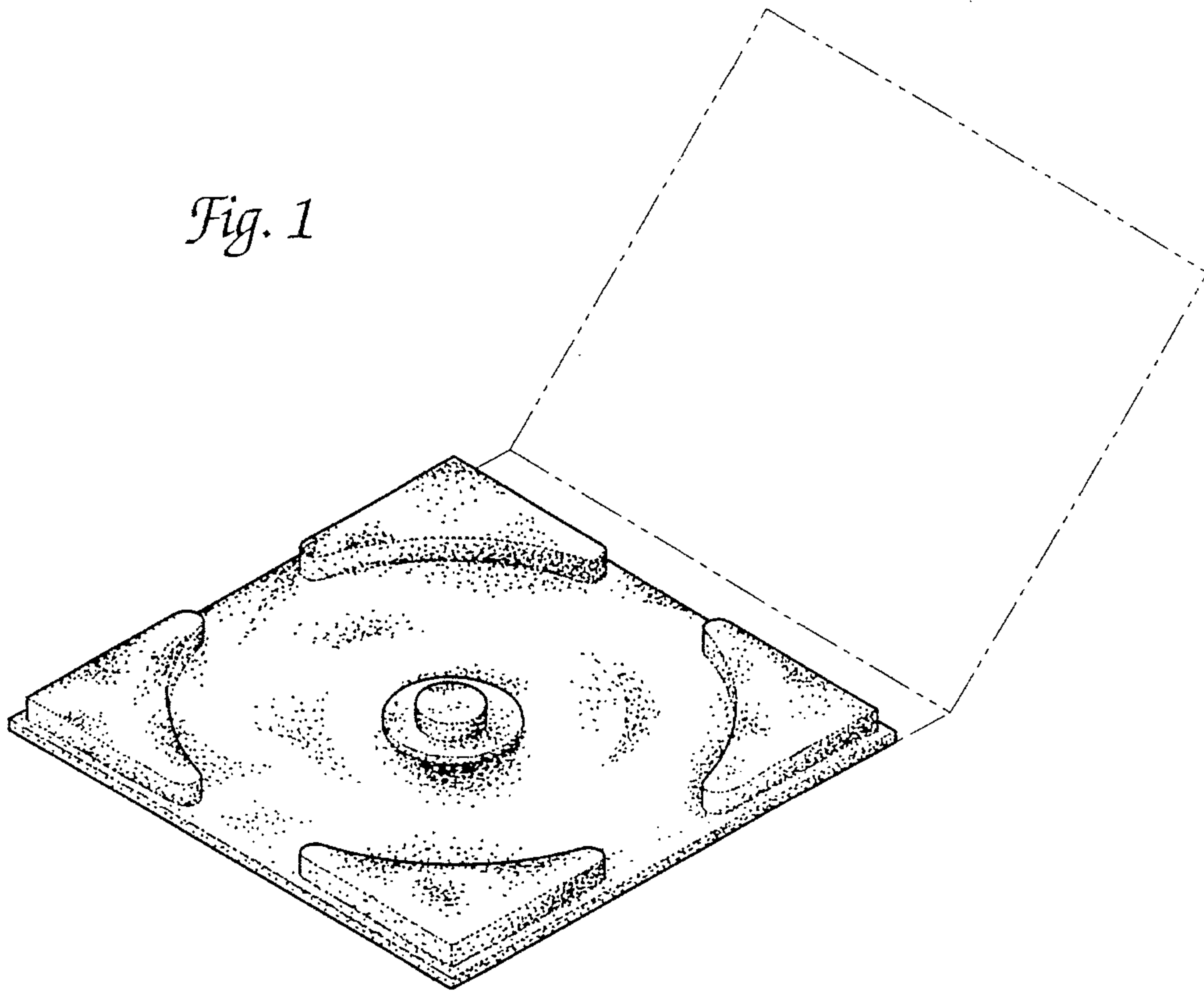


Fig. 2



Fig. 3