



US00D371480S

# United States Patent [19]

[11] Patent Number: **Des. 371,480**

Seng

[45] Date of Patent: **\*\*Jul. 9, 1996**

[54] **RACK FOR DISPLAYING GOLF CLUB HEADS AND GOLF CLUBS ASSEMBLED WITH ONE OF THE DISPLAYED GOLF CLUB HEADS**

*Primary Examiner*—Brian N. Vinson  
*Attorney, Agent, or Firm*—Fitzpatrick, Cella, Harper & Scinto

[76] Inventor: **Pohchye Seng**, 64 South Buena Vista Road, Unit #03-5, Singapore, Singapore, 0511

[57] **CLAIM**

The ornamental design for a rack for displaying golf club heads and golf clubs assembled with one of the displayed golf club heads, as shown and described.

[\*\*] Term: **14 Years**

**DESCRIPTION**

[21] Appl. No.: **35,193**

FIG. 1 is a top, front, and left side elevational view of a rack for displaying golf club heads and golf clubs assembled with one of the displayed golf club heads showing my new design, the broken-line disclosure being for illustrative purposes only and forming no part of the claimed design; FIG. 2 is an enlarged top plan view thereof; FIG. 3 is an enlarged rear elevational view thereof; FIG. 4 is an enlarged front elevational view thereof; FIG. 5 is an enlarged left side elevational view thereof; FIG. 6 is an enlarged right side elevational view thereof; and, FIG. 7 is an enlarged bottom plan view thereof.

[22] Filed: **Feb. 22, 1995**

[52] U.S. Cl. .... **D6/552**

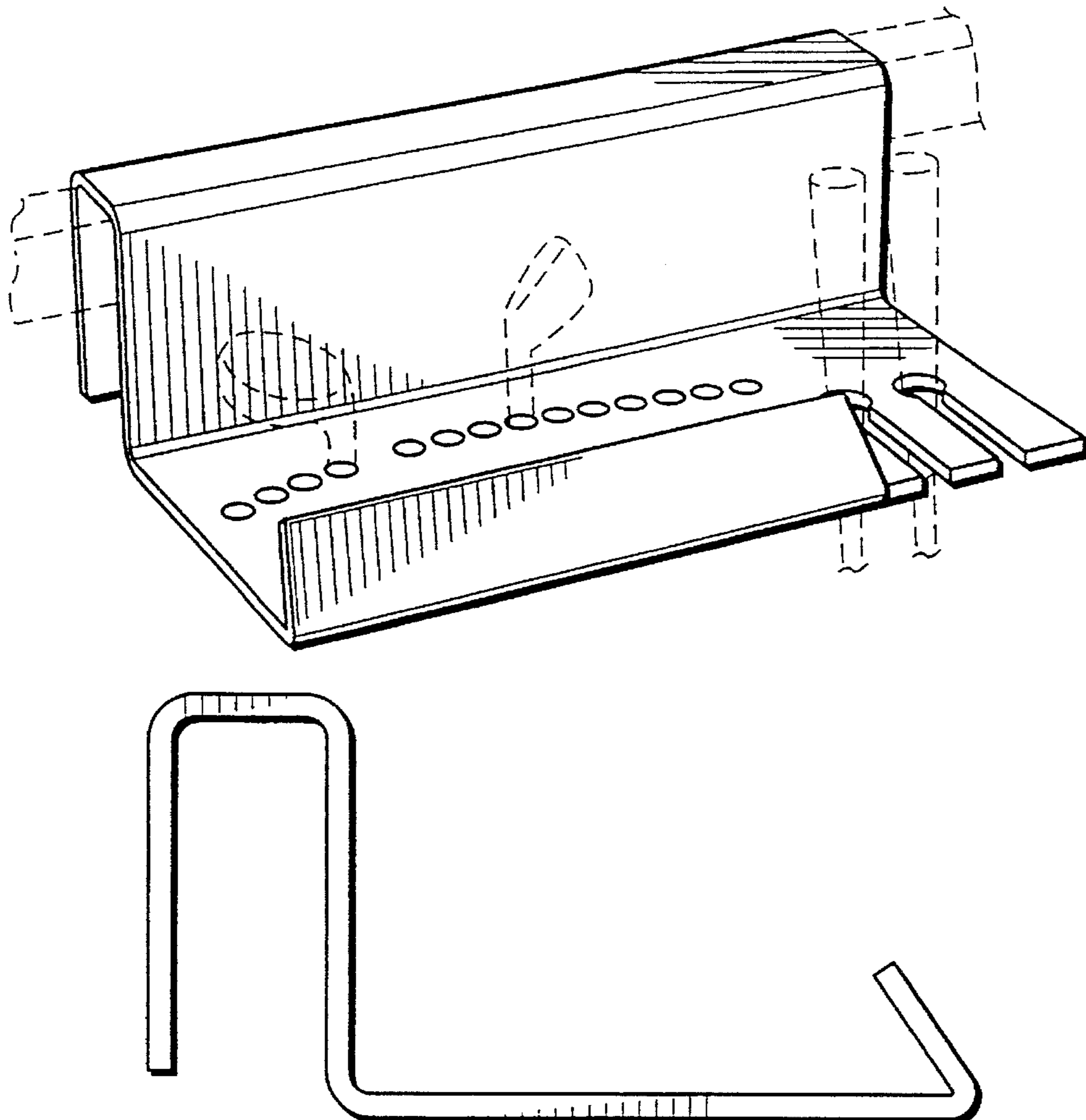
[58] Field of Search ..... D6/552-553, 567, D6/513-514; 211/13, 60.1, 62-66, 68-69, 70.5, 70.6, 70.7, 86-89; 206/315.1, 315.2; 248/309.1, 314

[56] **References Cited**

**U.S. PATENT DOCUMENTS**

D. 354,874	1/1995	Burch	.....	D6/567
D. 361,236	8/1995	Murgalo	.....	D6/567
4,049,126	9/1977	Halverson	.....	211/60.1 X

**1 Claim, 2 Drawing Sheets**



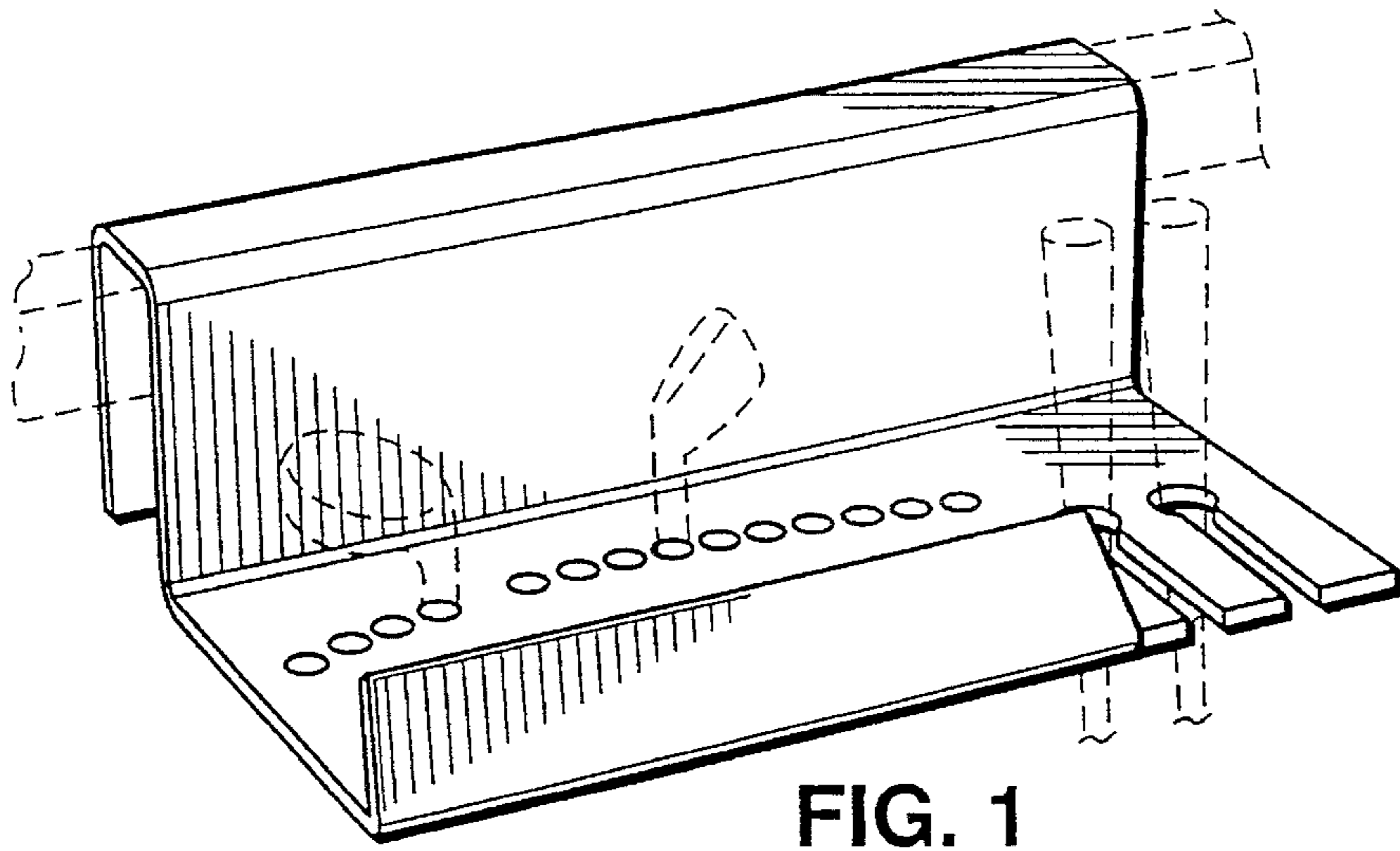


FIG. 1

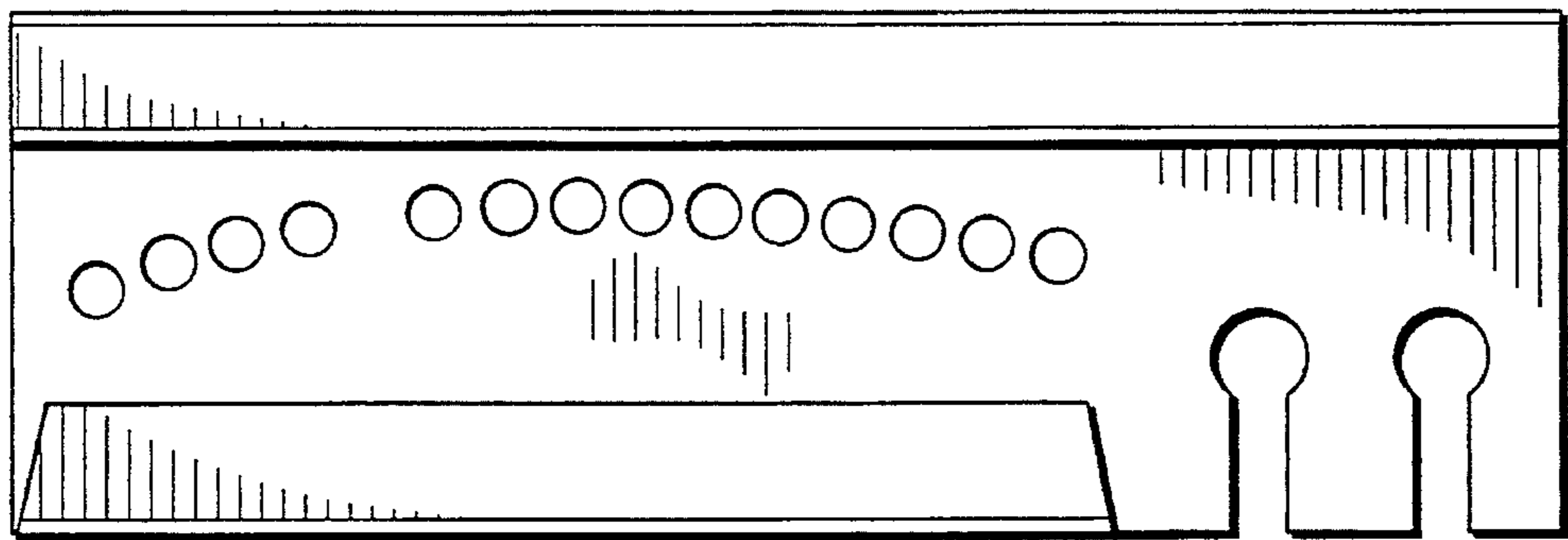


FIG. 2

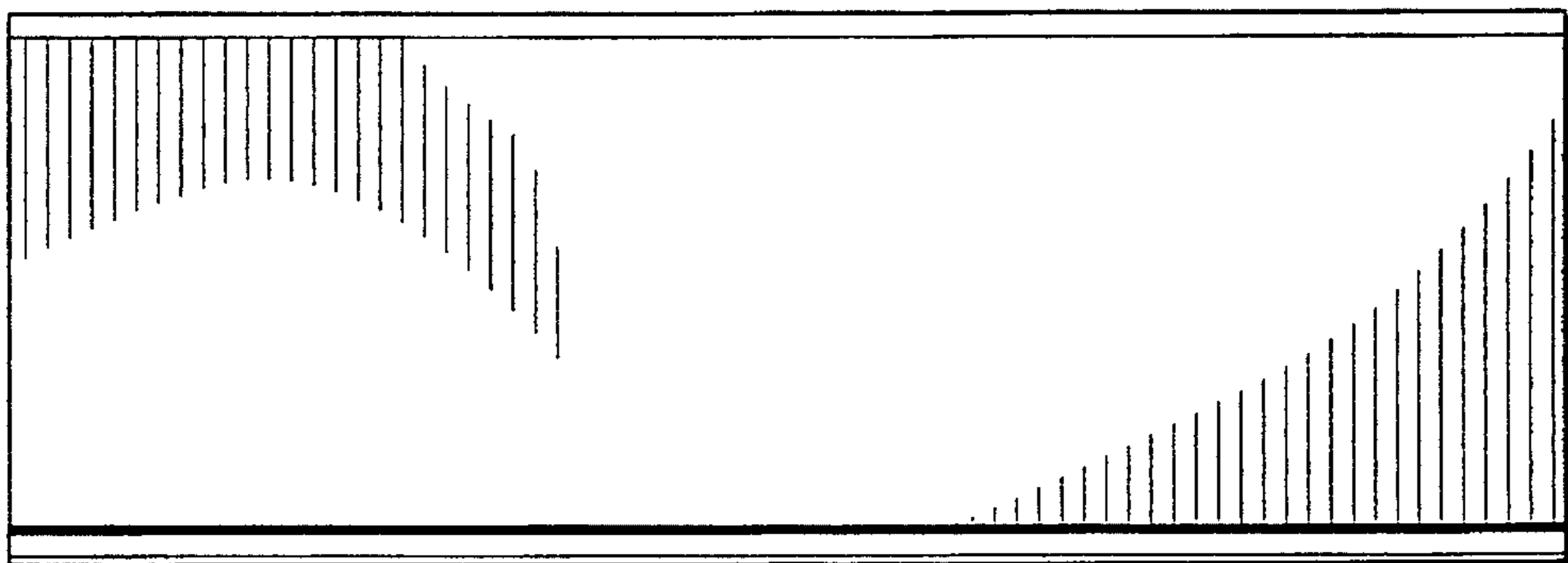


FIG. 3

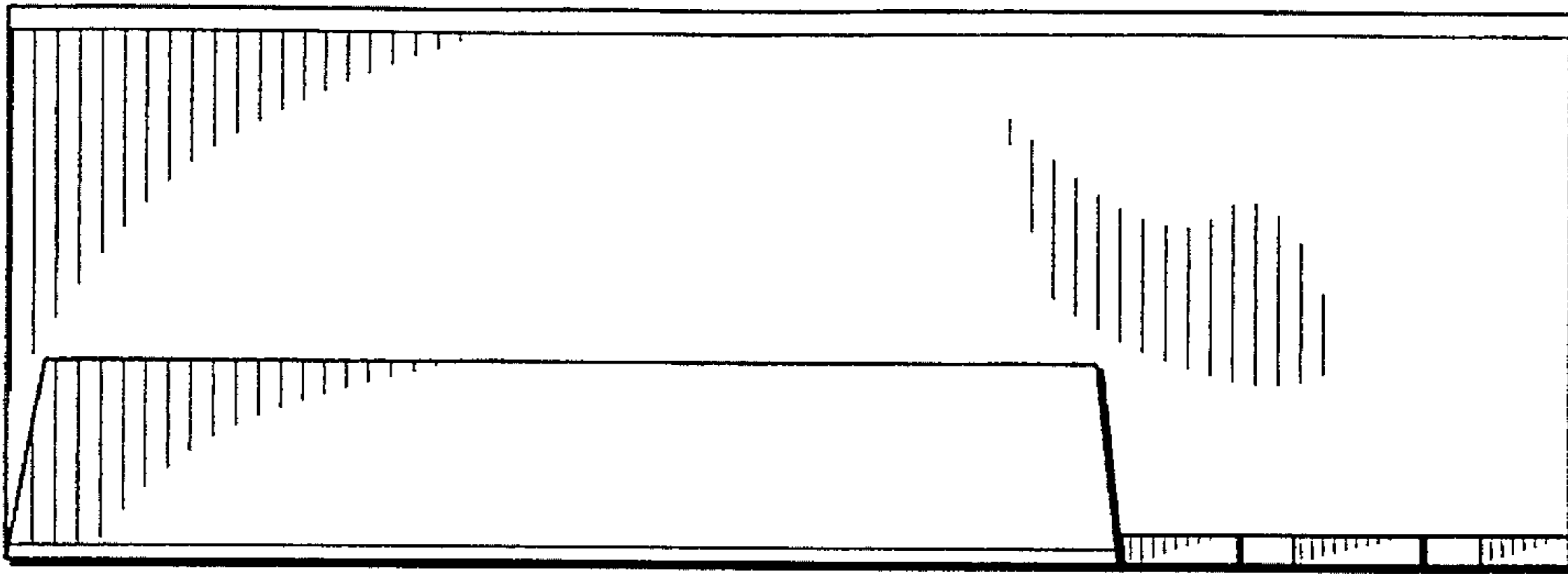


FIG. 4

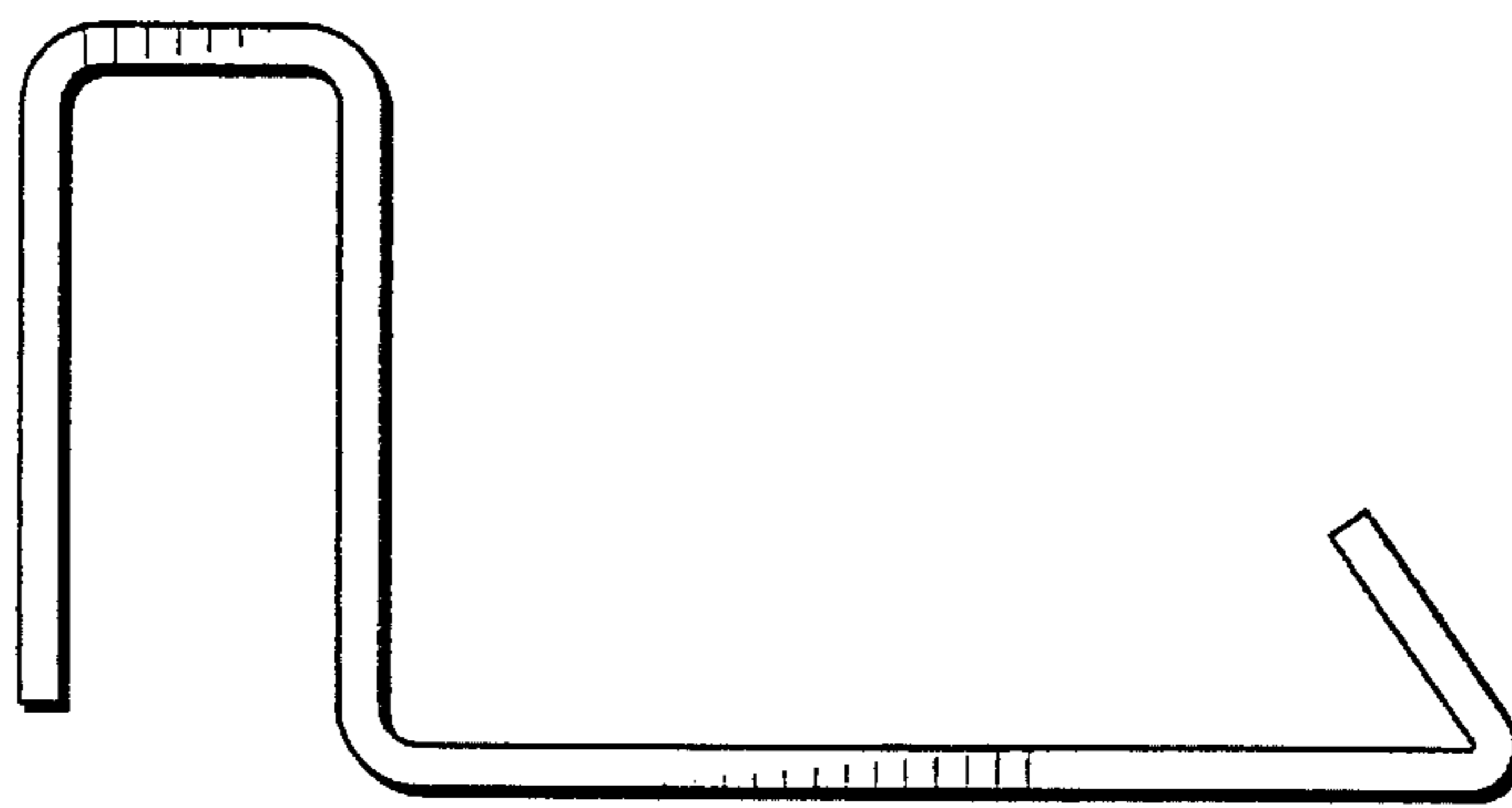


FIG. 5

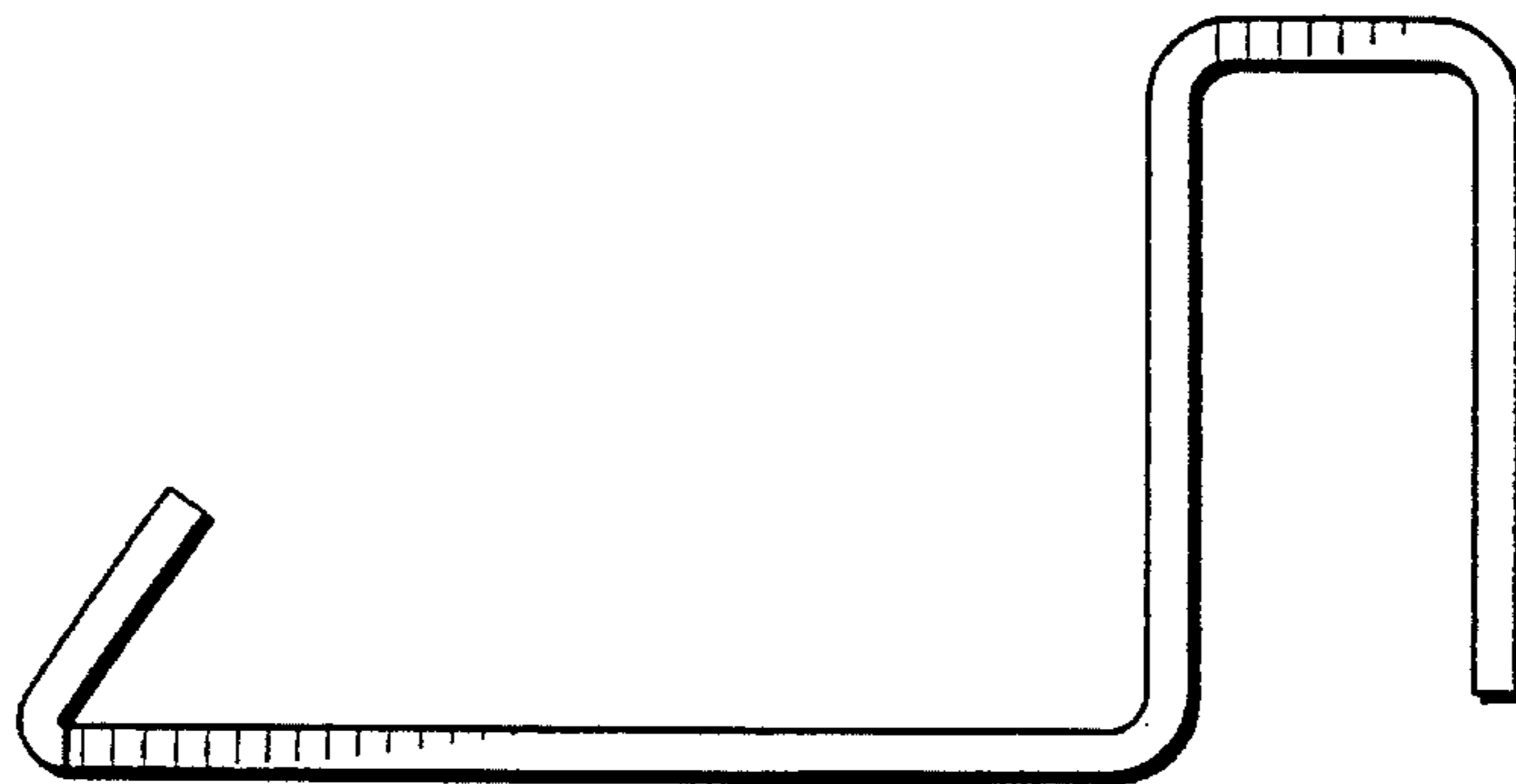


FIG. 6

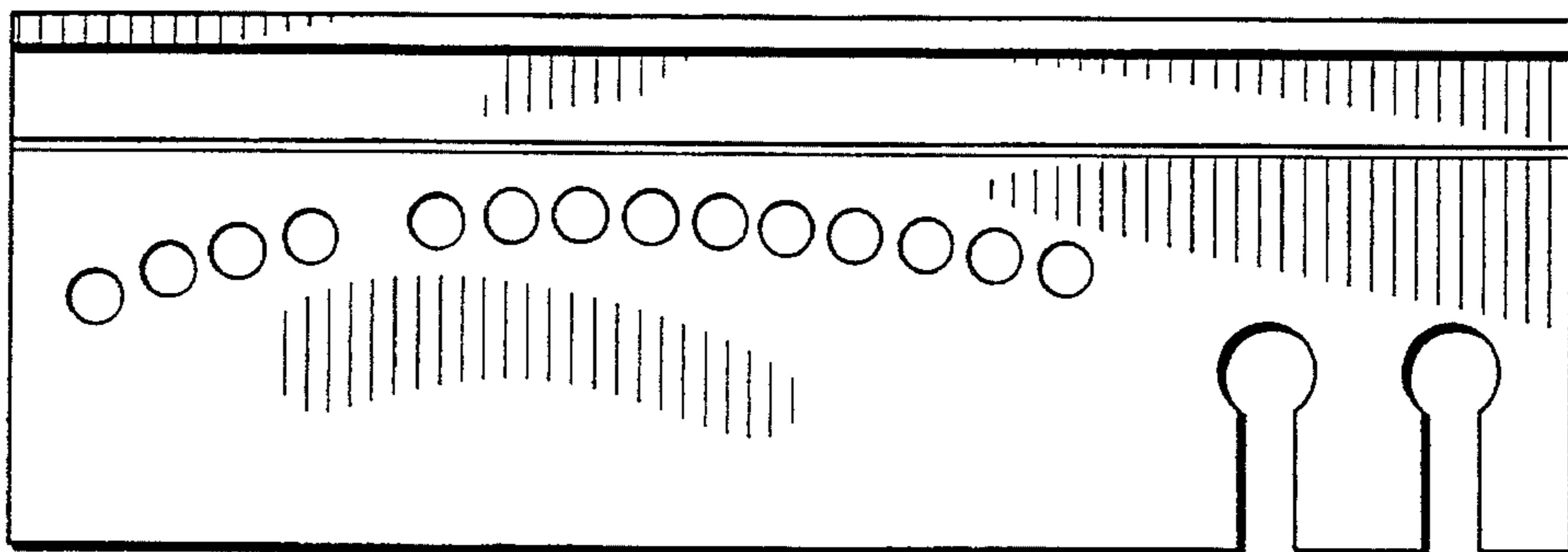


FIG. 7