



US00D371476S

United States Patent [19]
Sauvage

[11] **Patent Number: Des. 371,476**
[45] **Date of Patent: **Jul. 9, 1996**

[54] **COMBINED BACKREST AND SEAT PANELS FOR A CHAIR**

[75] Inventor: **Thomas Sauvage**, Saint Martin d'Uriage, France

[73] Assignee: **Sunbeam Products, Inc.**, Fort Lauderdale, Fla.

[**] Term: **14 Years**

[21] Appl. No.: **23,341**

[22] Filed: **May 23, 1994**

[52] U.S. Cl. **D6/502; D6/370**

[58] Field of Search D6/334, 370, 375, D6/500-502; 297/452.63, 452.64, 452.11

[56] **References Cited**

U.S. PATENT DOCUMENTS

D. 259,078	5/1981	Deconinck	D6/73
D. 262,077	12/1981	Deconinck	D6/70
D. 263,435	3/1982	Deconinck	D6/70
D. 264,156	5/1982	Lustig	D6/73
D. 269,653	7/1983	Deconinck	D6/56
D. 272,303	1/1984	Deconinck	D6/70
D. 274,770	7/1984	Massonnet	D6/375
D. 276,106	10/1984	Grosfillex	D6/368
D. 279,842	7/1985	Walker	D6/370
D. 281,933	12/1985	Deconinck	D6/368
D. 284,913	8/1986	Deconinck	D6/368
D. 287,673	1/1987	Verschuren	D6/379
D. 288,871	3/1987	Hubert	D6/368
D. 288,994	3/1987	Winters	D6/370
D. 291,161	8/1987	Hubert	D6/370
D. 304,001	10/1989	Grosfillex	D6/379
D. 328,679	8/1992	Grosfillex	D6/502
D. 328,827	8/1992	Grosfillex	D6/370
D. 329,557	9/1992	Hubert	D6/502
D. 330,291	10/1992	Grosfillex	D6/370
D. 331,323	12/1992	Grosfillex	D6/370
D. 331,668	12/1992	van de Eindhoven	D6/368
D. 333,926	3/1993	Hubert	D6/374
D. 334,097	3/1993	Grosfillex	D6/370
D. 334,294	3/1993	Grosfillex	D6/367
D. 334,299	3/1993	Embree	D6/379
D. 334,486	4/1993	Brown et al.	D6/361
D. 335,585	5/1993	Grosfillex	D6/361

D. 335,776	5/1993	Lamalle	D6/368
D. 335,972	6/1993	Lamalle	D6/379
D. 336,174	6/1993	Lamalle	D6/379
D. 336,382	6/1993	Hubert	D6/370
D. 338,347	8/1993	Hubert	D6/370
D. 339,004	9/1993	Grosfillex	D6/368
D. 339,005	9/1993	Grosfillex	D6/370
D. 339,695	9/1993	Kahl et al.	D6/370
D. 339,928	10/1993	Caldwell	D6/370
D. 339,929	10/1993	Schwartz	D6/370
D. 340,366	10/1993	LaMalle	D6/375
D. 340,604	10/1993	Grosfillex	D6/502
D. 341,727	11/1993	Grosfillex	D6/370
D. 341,952	12/1993	Kelly	D6/370
D. 342,390	12/1993	Grosfillex	D6/370
D. 342,849	1/1994	Grosfillex	D6/502
D. 344,192	2/1994	Schwartz	D6/370
D. 344,193	2/1994	Schwartz	D6/371
D. 344,200	2/1994	Schwartz	D6/500
2,642,118	6/1953	Lamb	155/2
3,134,622	5/1964	Leachman	297/35
4,674,793	6/1987	Kettler	297/28
5,044,691	9/1991	Guichon	297/239

OTHER PUBLICATIONS

Catalog page, Arm chairs & high fan back; Funnbird, address unknown. Publication date 1991.

(List continued on next page.)

Primary Examiner—Janice E. Seeger

Attorney, Agent, or Firm—Michael J. Kline; Carol I. Bordas

[57] **CLAIM**

The ornamental design for a combined backrest and seat panels for a chair, as shown and described.

DESCRIPTION

FIG. 1 is a top right front perspective view of a combined backrest and seat panels for a chair showing my new design. The broken lines are for illustrative purposes only and form no part of the claimed design;

FIG. 2 is a front elevational view thereof;

FIG. 3 is a top plan view thereof;

FIG. 4 is a top right front perspective view of the alternate embodiment of a combined back rest and seat panels for a chair showing my new design;

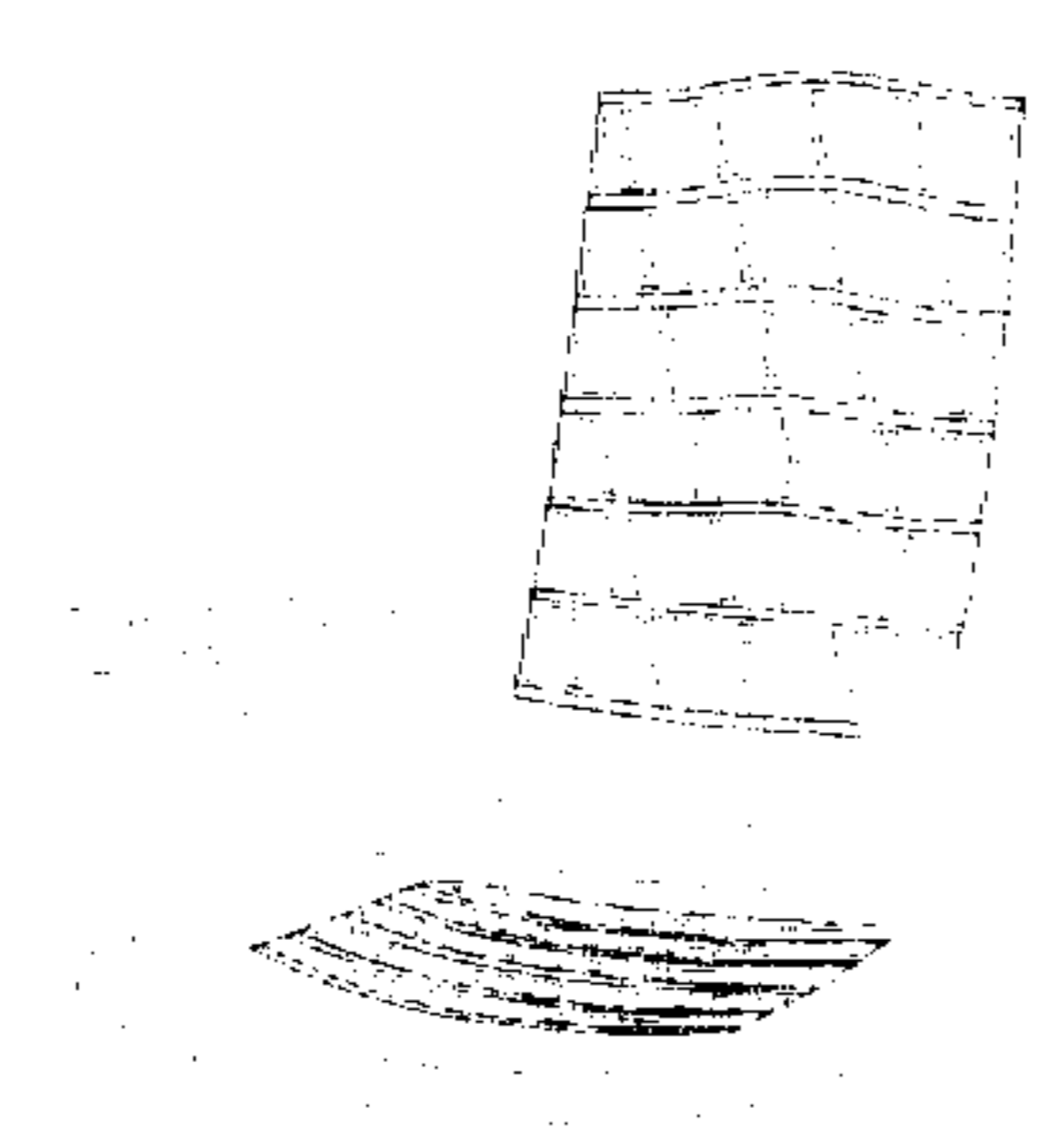


FIG. 5 is a front elevational view of the alternate embodiment;
 FIG. 6 is a top plan view of the alternate embodiment;
 FIG. 7 is a rear elevational view of FIG. 1;
 FIG. 8 is a bottom view of FIG. 1;
 FIG. 9 is a cross-sectional view of FIG. 1;
 FIG. 10 is a rear elevational view of the alternate embodiment;
 FIG. 11 is a bottom view of the alternate embodiment; and,
 FIG. 12 is a cross-sectional view of the alternate embodiment.

1 Claim, 12 Drawing Sheets

OTHER PUBLICATIONS

- Catalog page, Arm chairs; Gardenswiss, address unknown. Publication date 1991.
- Advertisement, Arm chairs; Shaf, address unknown. Publication date 1991.
- P. 6, Arm chairs; Capisa, address unknown. Publication date 1991.
- Catalog page, Chairs; Flamenco Und Strato, address unknown. Publication date 1991.
- Catalog page, Chairs; Keter, address unknown. Publication date 1991.
- Catalog page, Chairs; Oasis, address unknown. Publication date 1991.
- P. 16, Arm chair; Steiner, address unknown. Publication date 1991.
- Catalog page, Arm chair; Phebani, address unknown. Publication date 1991.
- Catalog page, Arm chair; Tulip, address unknown. Publication date 1991.
- Catalog page, Arm chairs; Hartman, Ten Teije B.V., Industrieweg 2, 8081 HG Elburg. Publication date 1991.
- Magazine page, Arm chairs; Hartman, Ten Teije B.V., Industrieweg 2, 8081 HG Elburg. Publication date 1991.
- Catalog page, Arm chair; Garden Leisure, address unknown. Publication date 1991.
- Catalog page, Stacking chairs; Grosfillex, address unknown. Publication date 1991.
- Catalog page, Arm chairs; Grossfillex, address unknown. Publication date 1991.
- Catalog page, Monoblock chairs; Grossfillex, address unknown. Publication date 1991.
- Pp. 9 and 14, Arm chairs; Grossfillex, address unknown. Publication date 1991.
- Catalog page, Arm chairs; Stamp Contract & Leisure, address unknown. Publication date 1991.
- Catalog page, Chairs; Imma Resina, address unknown. Publication date 1991.
- Catalog page, Chairs; Mafilplast, address unknown. Publication date 1990.
- Catalog page, Chairs; Kettler, address unknown. Publication date 1991.
- Catalog page, Chair; Cerato Mario, address unknown. Publication date 1990.
- Catalog page, Chairs; Jardin, address unknown. Publication date 1991.
- Catalog page, Chairs; Jardin, address unknown. Publication date 1990.
- Catalog page, Chairs; Sieger, address unknown. Publication date 1991.
- Catalog page, Chair; Artic Light, address unknown. Publication date 1991.
- Catalog page, Chair; Artic Light, address unknown. Publication date 1990.
- P. 10, Chair, Artic Light, address unknown. Publication date 1991.
- Catalog page, Chair; Rentrop, address unknown. Publication date 1990.
- Catalog page, Chair; Acamp, address unknown. Publication date 1990.
- Catalog page, Chairs; Grand Soleil, Grazioli spa, Via Trieste, 435, 46010 Mosio (MN). Publication date 1990.
- Catalog page, Chairs; Grand soleil, Grazioli spa, Via Trieste, 435, 46010 Mosio (MN). Publication date 1991.
- Catalog page, Chairs; Festival Leisure Furniture, a Div. of Bemis Manufacturing Co., Sheboygan Falls, Wisconsin 53085. Publication date 1991.
- Caalog page, Chairs; Lawn Comfort, A Div. of Bemis Manufacturing Co., Sheboygan Falls, Wisconsin 53085. Publication date 1990.
- Caalog page, Chair; Rovergarden, address unknown, Publication date 1991.
- Catalog page, Chairs; Vision Resin Furniture, address unknown. Publication date 1991.
- Catalog page, Chair; Dura Risia, address unknown. Publication date 1990.
- P. 9, Chair; IPL Products, Ltd., address unknown. Publication date 1991.
- Catalog page, Monobloc chair; Lerolin, address unknown. Publication date 1990.
- Catalog page, Chair; Scandinavian Outdoor, address unknown. Publication date 1991.
- Catalog page, Chairs; Syroco, 175 McClelland Highway, East Boston, Massachusetts 02128-9114. Publication date 1991.
- Catalog page, Chair; Simoni, address unknown. Publication date 1991.
- Catalog page, Chairs; Kruz, address unknown. Publication date 1991.
- Catalog page, Chairs; Scab Sede, Dir. Commerciale Amministrativa, 35030 Coccaglio Brescia, Italy. Publication date 1991.
- Catalog page, Chair; Mago, address unknown. Publication date 1991.
- Catalog page, Chairs; Flair Plaisir, address unknown. Publication date 1991.
- Catalog page, Chairs; Shaf, address unknown. Publication date 1991.
- Pp. 14 and 20, Chairs; Allibert, 1200 Highway 27 South, P.O. Box 1200, Stanley, North Carolina 28164. Publication date 1988.
- Catalog page, Chairs; Allibert Contract, Rubbermaid-Allibert Inc., 1200 Highway 27 South, P.O. Box 1200, Stanley, North Carolina 28164. Publication date 1991.
- Pp. 1, 3 and 6, Chairs; Rubbermaid-Allibert Inc., 1200 Highway 27 South, P.O. Box 1200, Stanley, North Carolina 28164. Publication date 1991.
- Sell sheet, Chair; Rubbermaid Incorporated, 1147 Akron Road, Wooster, Ohio 44691. Publication date 1988.

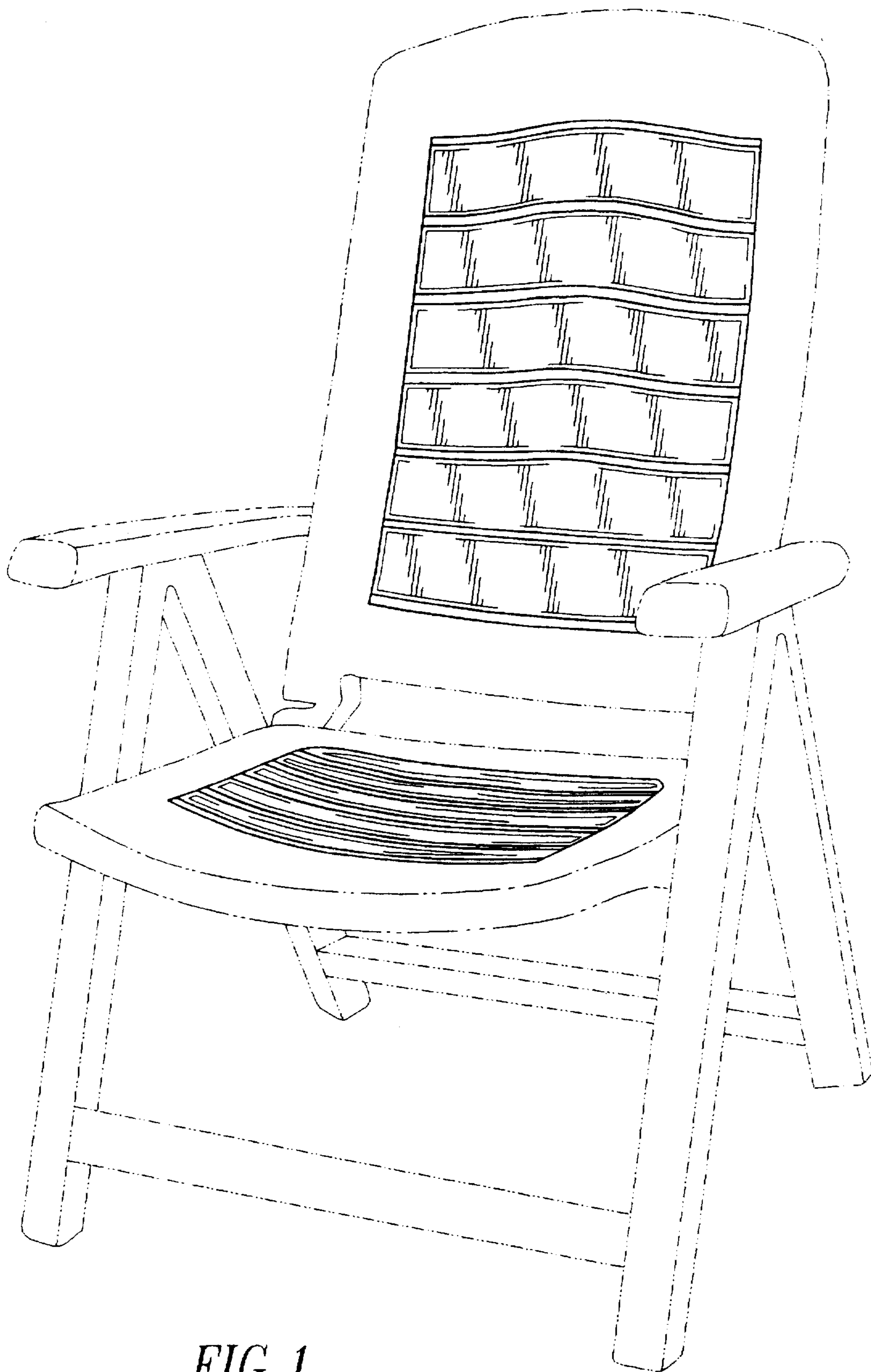


FIG. 1

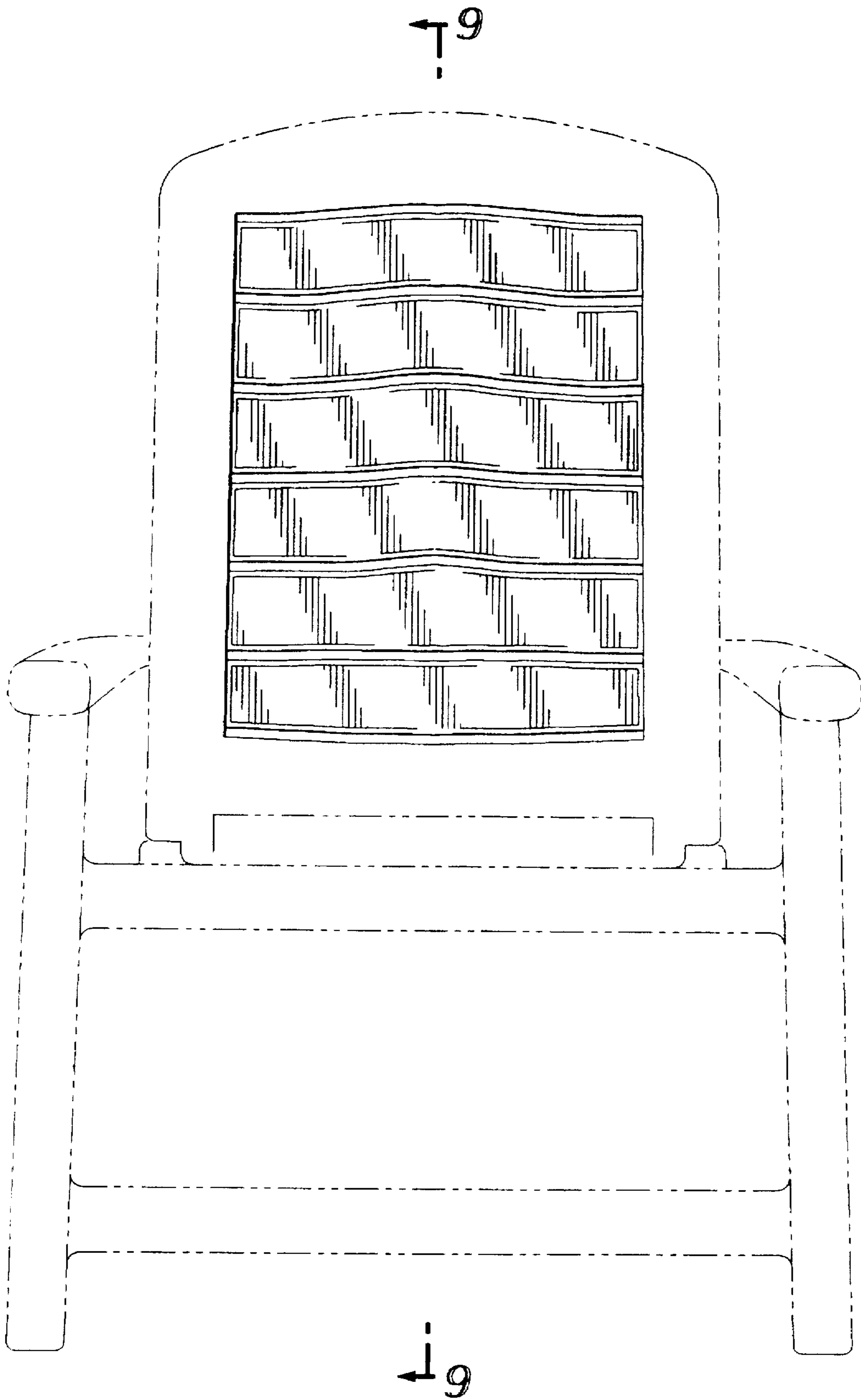


FIG. 2

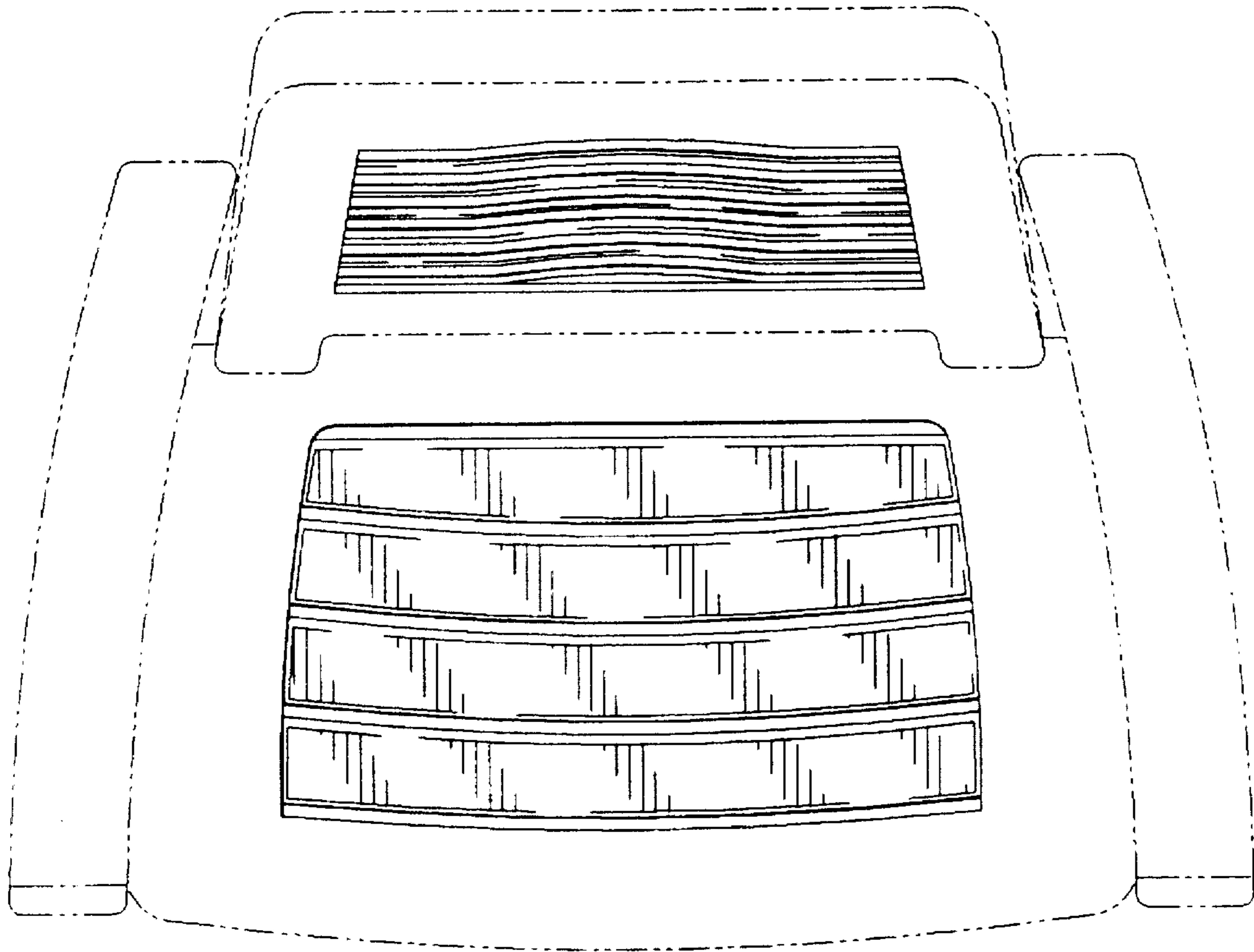


FIG. 3

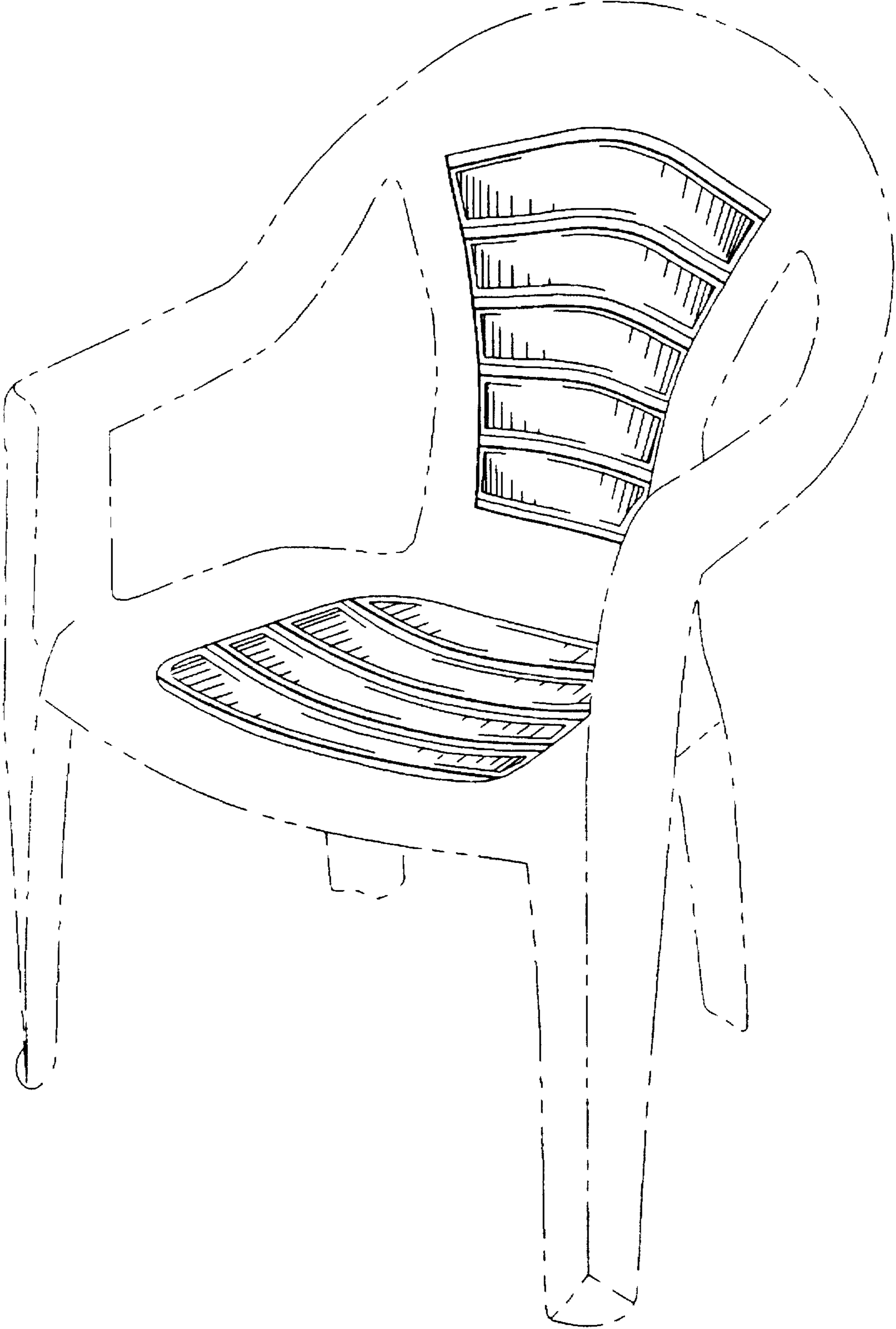


FIG. 4

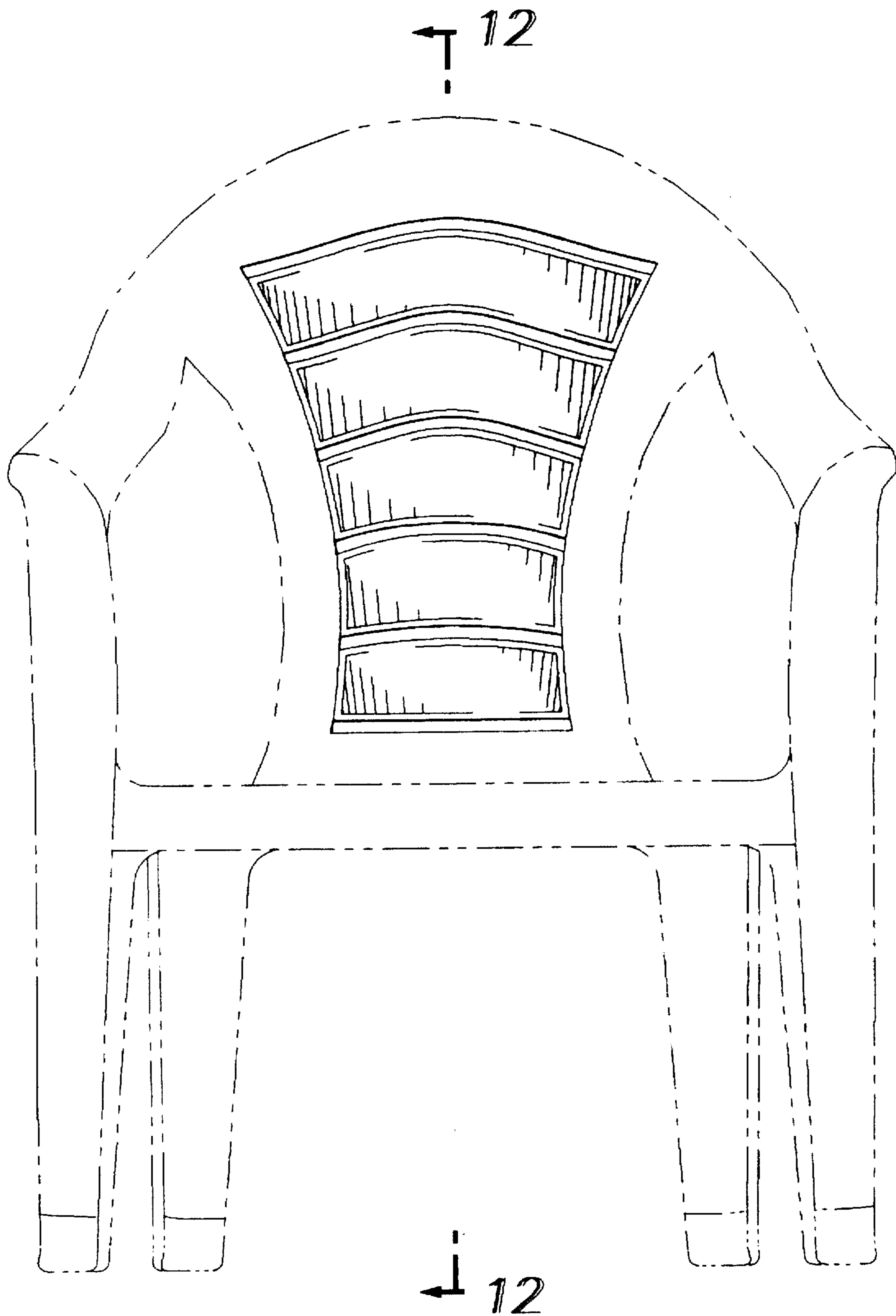


FIG. 5

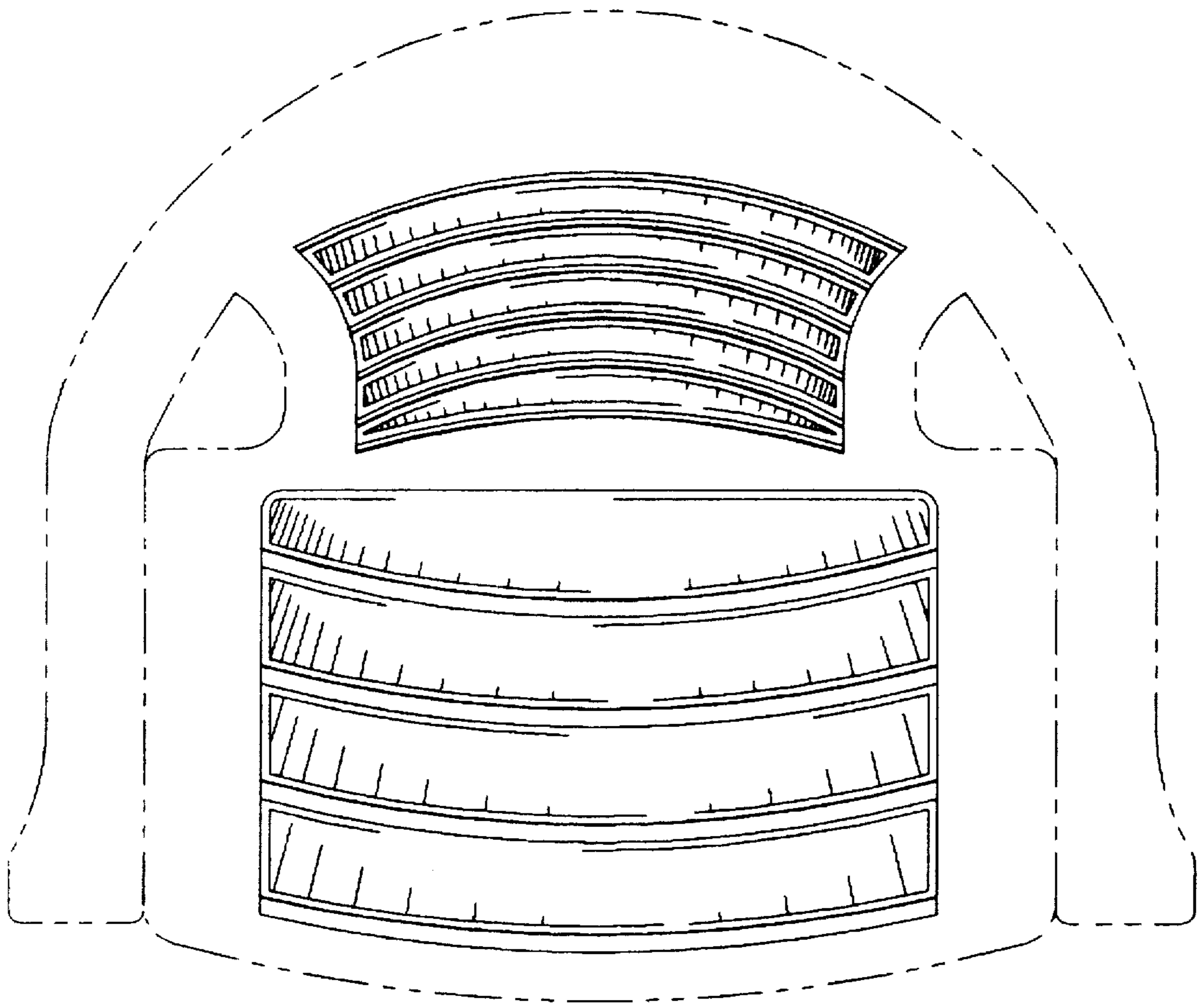


FIG. 6

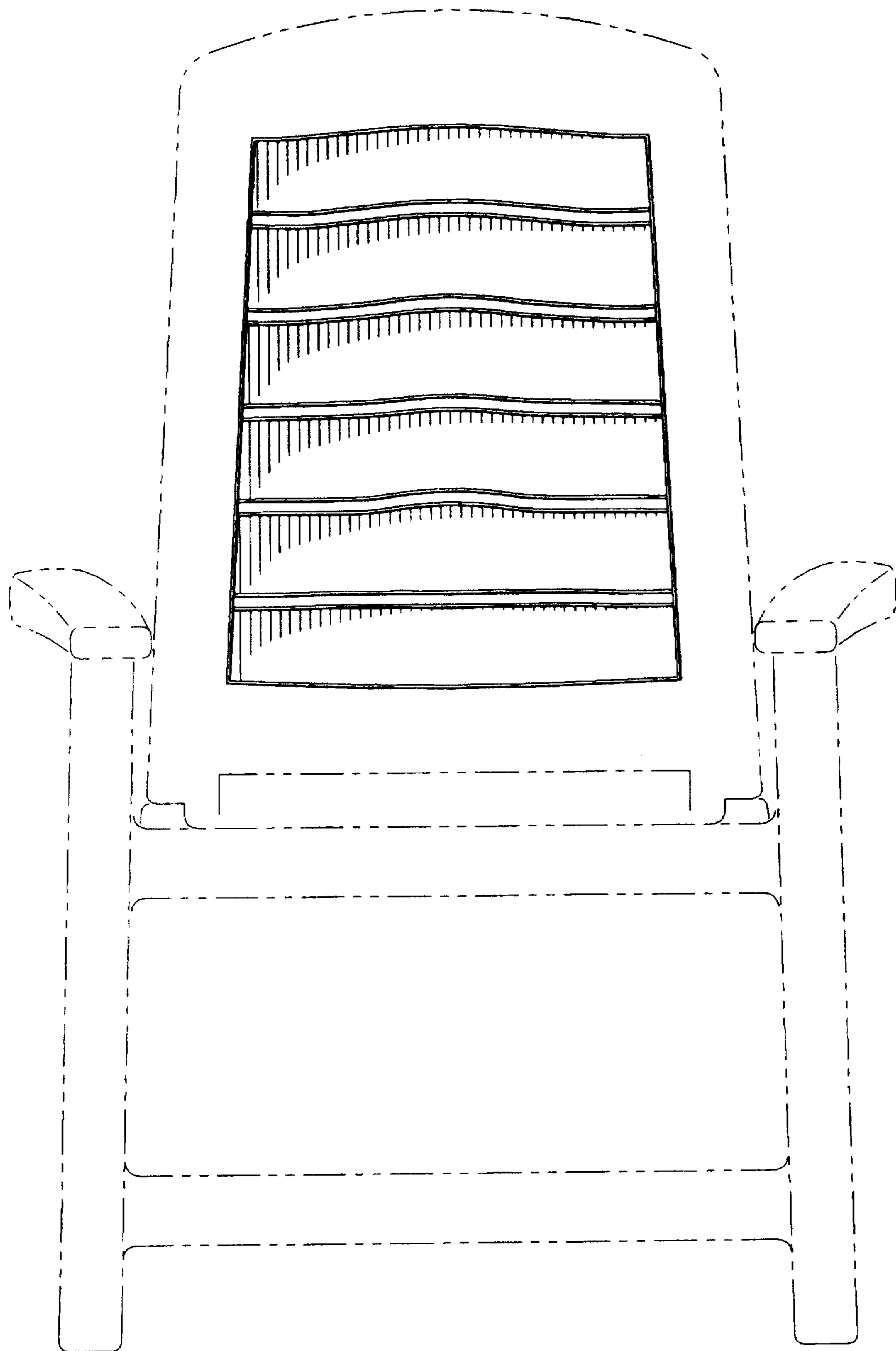


FIG. 7

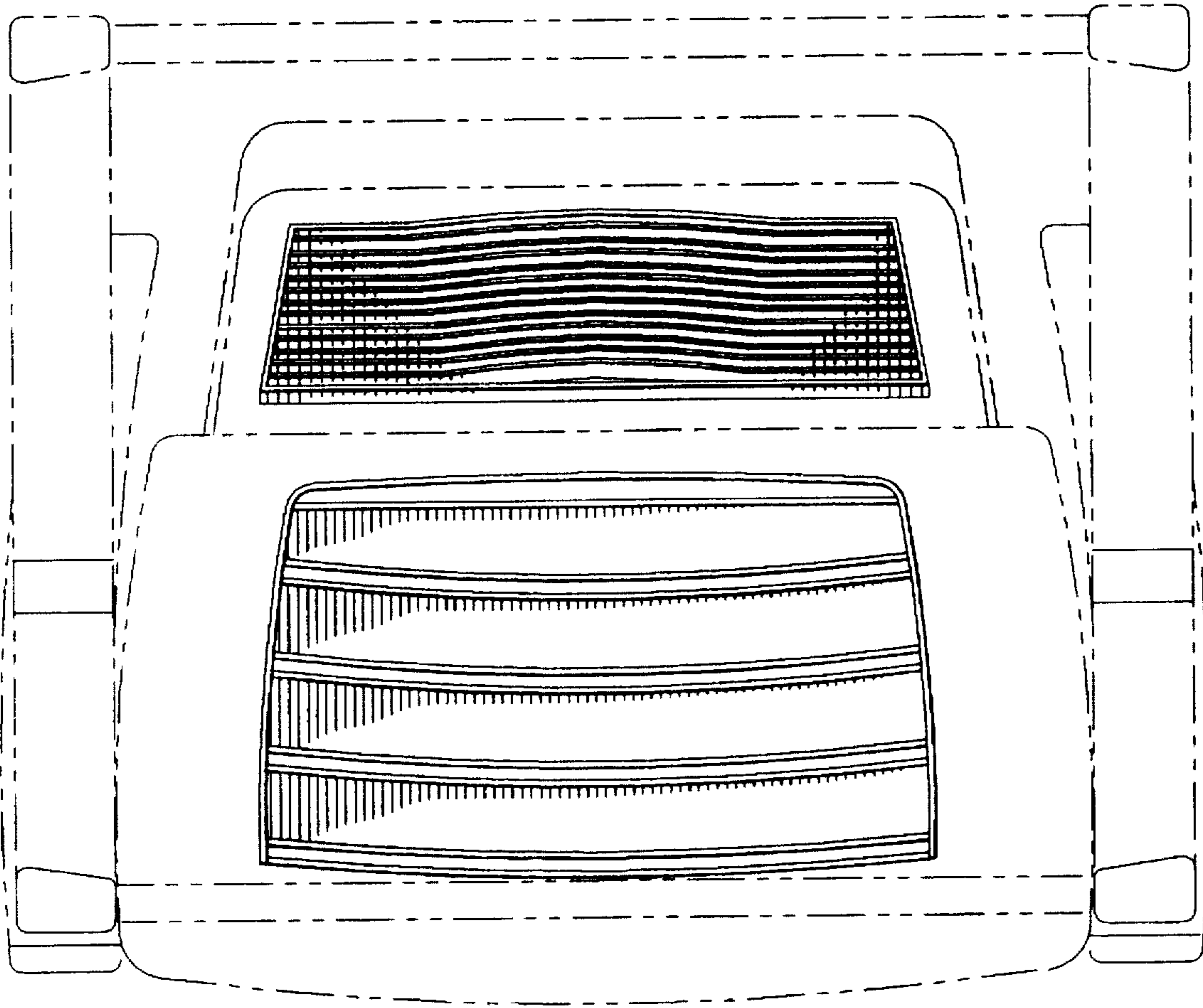


FIG. 8

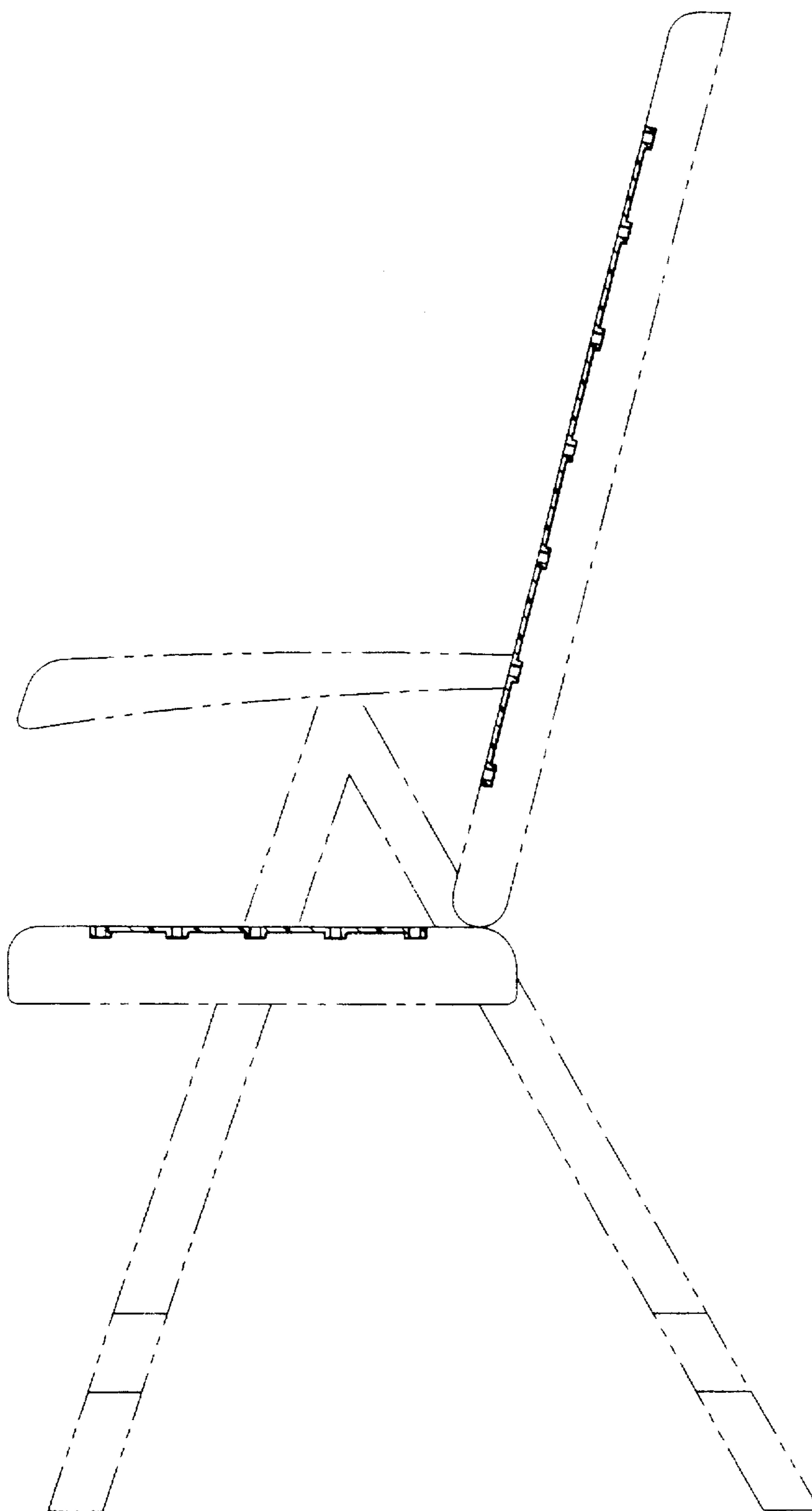


FIG. 9

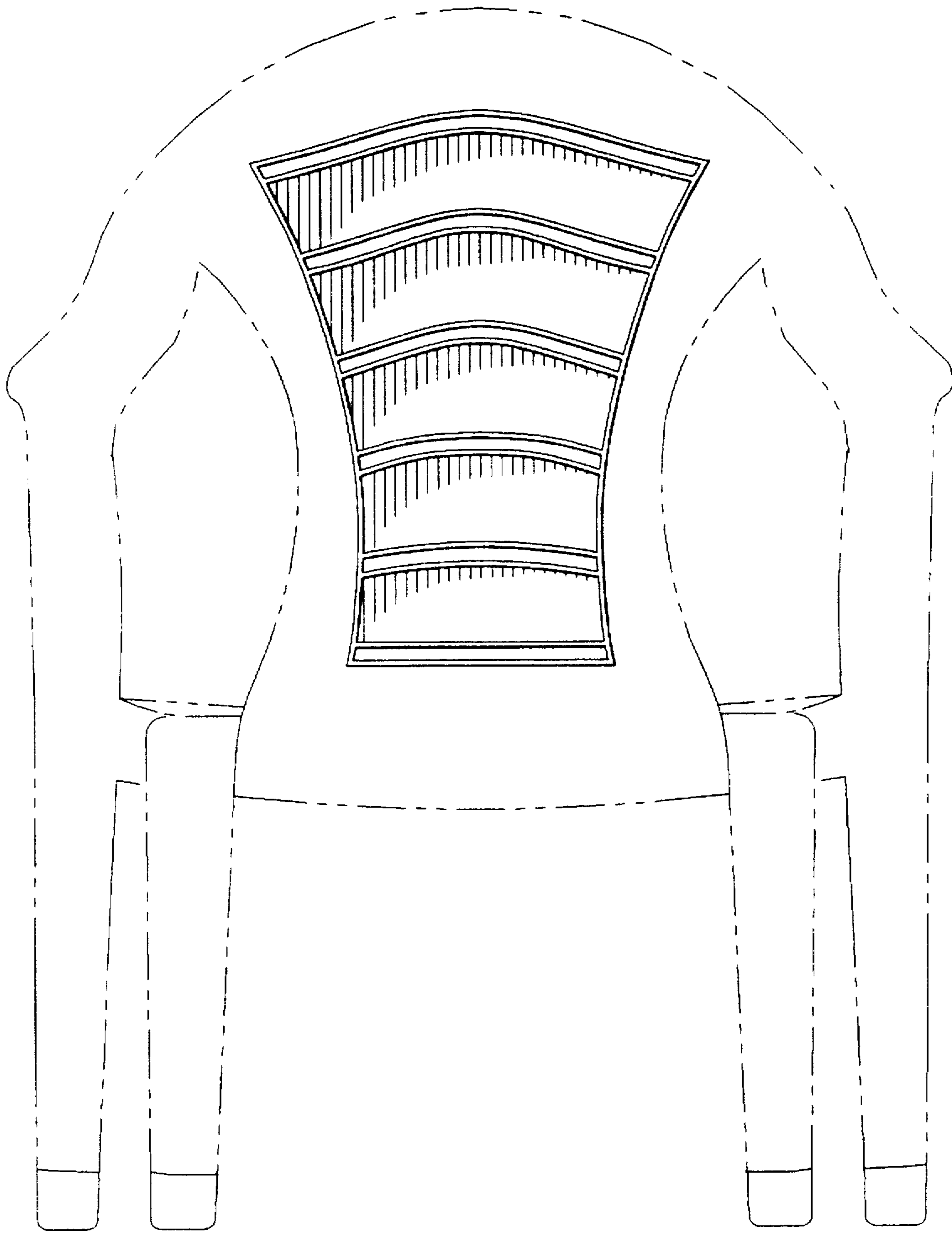


FIG. 10

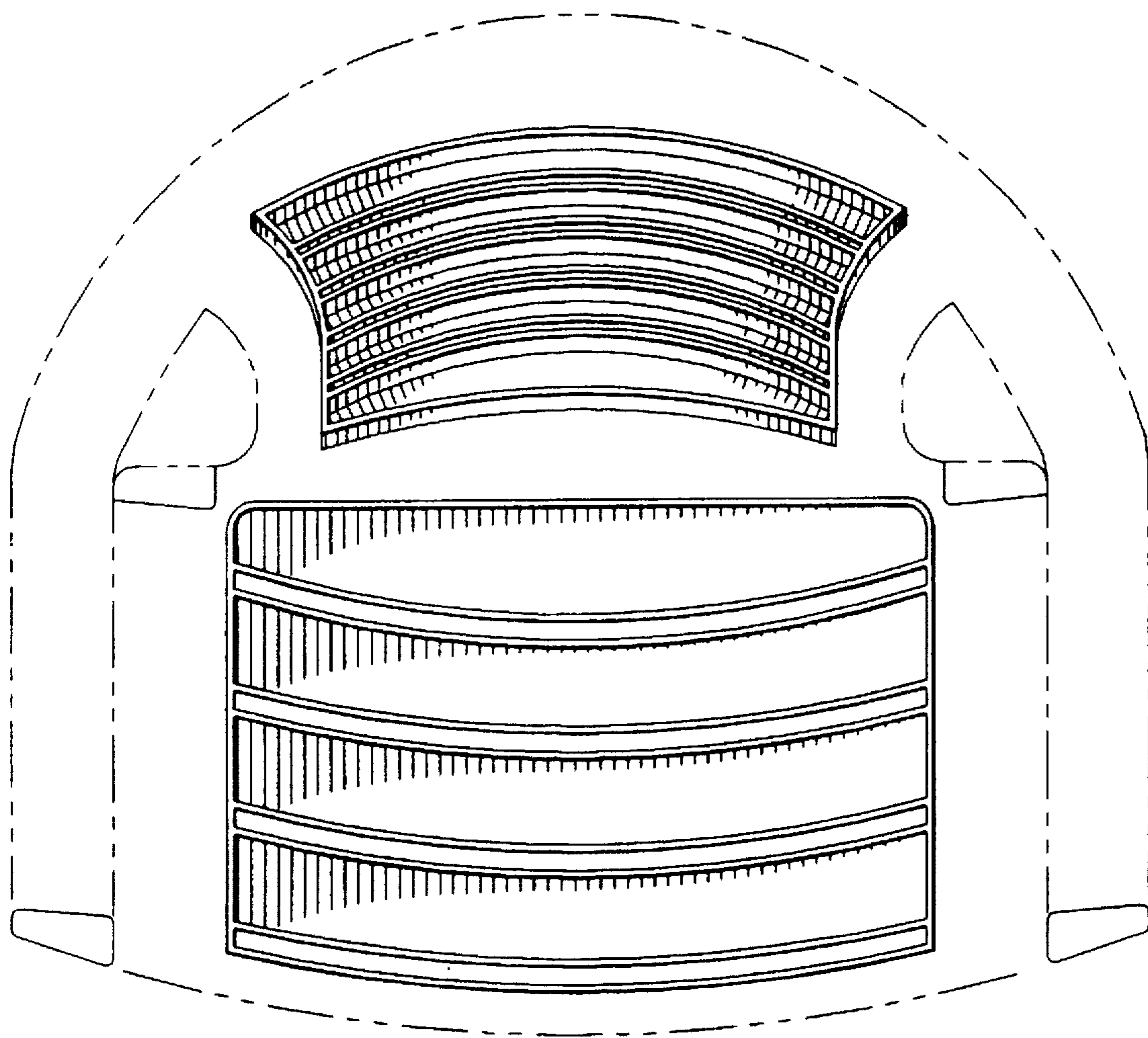


FIG. 11

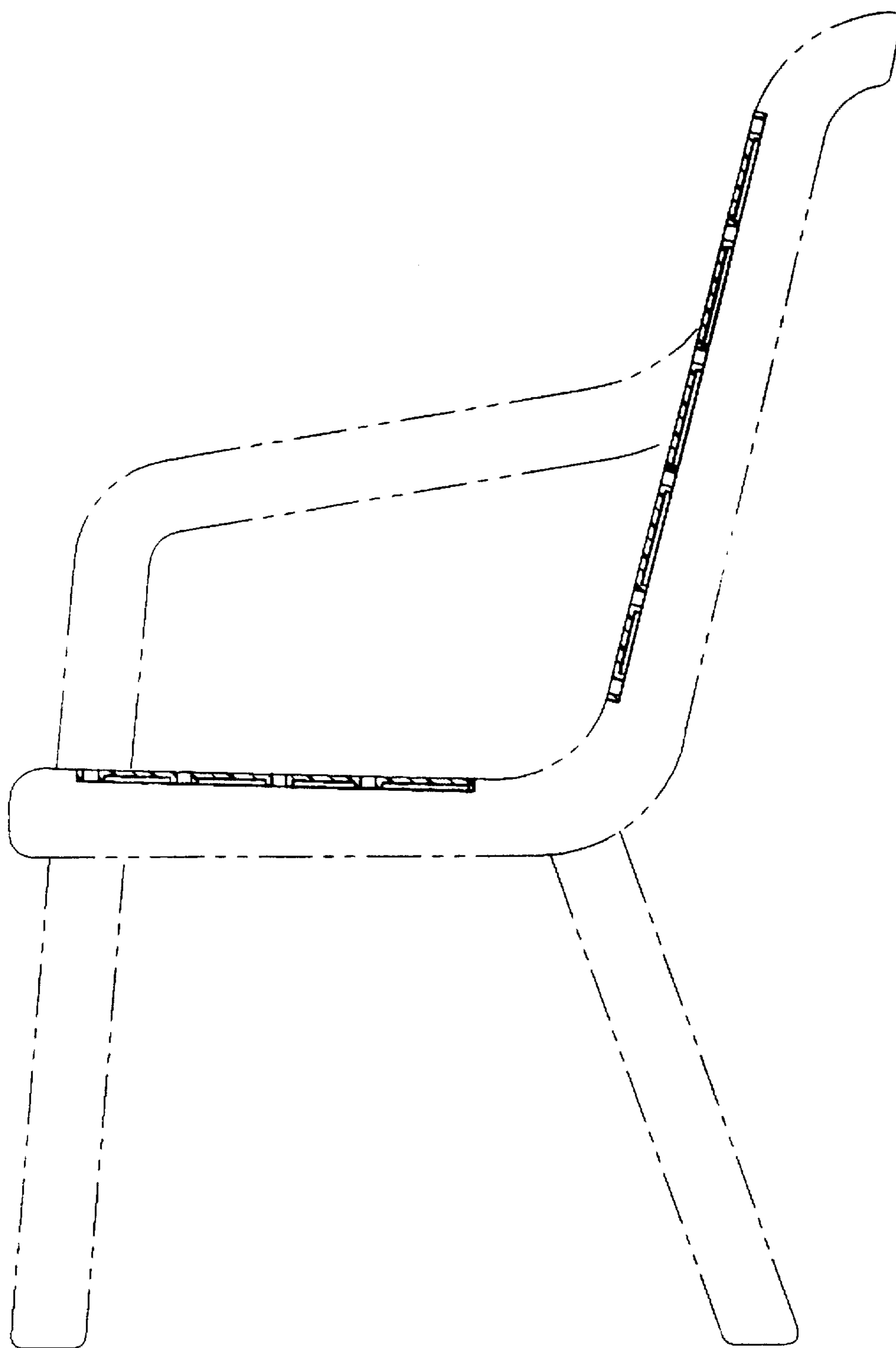


FIG. 12