



US00D371474S

# United States Patent [19] Koopman

[11] Patent Number: **Des. 371,474**

[45] Date of Patent: **\*\*Jul. 9, 1996**

[54] **ERGONOMIC ARM SUPPORT FOR A CHAIR**

[75] Inventor: **Karl-Heinz Koopman**, Steyerberg, Germany

[73] Assignee: **Grahl Industries, Inc.**, Coldwater, Mich.

[\*\*] Term: **14 Years**

[21] Appl. No.: **36,068**

[22] Filed: **Mar. 13, 1995**

[52] U.S. Cl. .... **D6/501**; D6/366

[58] Field of Search ..... D6/366, 334, 375-380, D6/500, 501, 502; 297/411.35, 411.36, 411.37, 411.23, 411.24, 411.26, 411.28; 248/118, 118.3

[56] **References Cited**

**U.S. PATENT DOCUMENTS**

D. 211,461	6/1968	Walkinshaw .....	D6/366
D. 277,916	3/1985	Aronowitz et al. ....	D6/501
D. 288,872	3/1987	Schultz .....	D6/366
D. 329,770	9/1992	Grahl et al. .	
766,484	8/1904	Armstrong .	
1,527,754	2/1925	Simon .	
2,708,899	5/1955	Rudolph .	
5,382,079	1/1995	Wilson et al. ....	297/411.36

**OTHER PUBLICATIONS**

Interiors, Apr. 1976, p. 7 See circled chair armrest, right center-Desk copy.  
Steelcase, "Criterion. The chair that works hard . . ." (pre Jan. 1991).

Grahl, "The Innovative Company in Ergonomics" (1991).

Neutral Posture Ergonomics (May 1991).

The Chair Works, "An engineering Solution . . ." (pre Jan. 1992).

*Primary Examiner*—Martie Thompson

*Attorney, Agent, or Firm*—Weiner, Carrier & Burt; Pamela S. Burt; Irving M. Weiner

[57] **CLAIM**

The ornamental design for an ergonomic arm support for a chair, as shown and described.

**DESCRIPTION**

FIG. 1 is a front perspective view of the ergonomic arm support for a chair showing my new design, the broken line depiction of the chair being for illustrative purposes only and forming no part of the claimed design;

FIG. 2 is a top plan view of the ergonomic arm support;

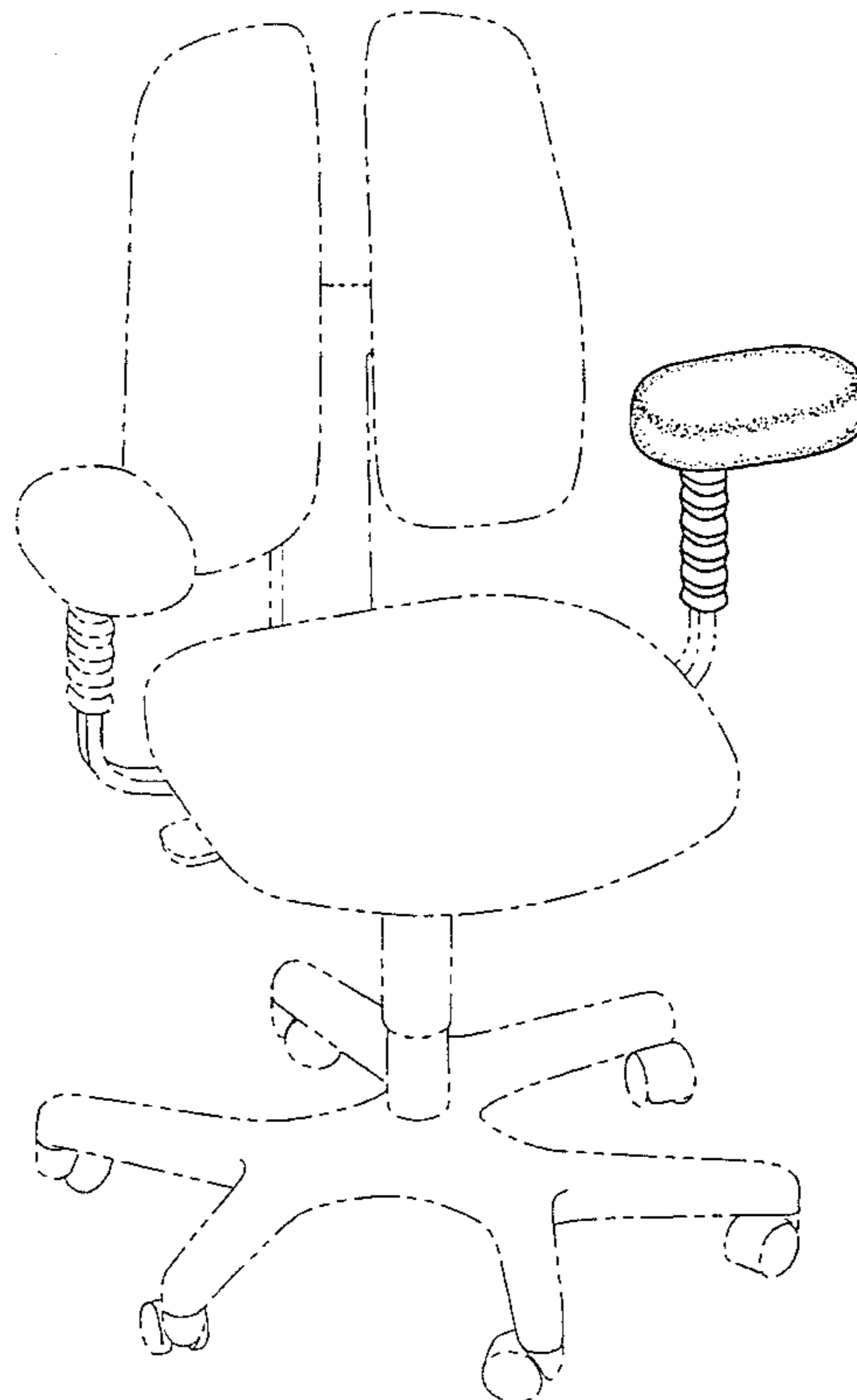
FIG. 3 is a front elevational view of the ergonomic arm support;

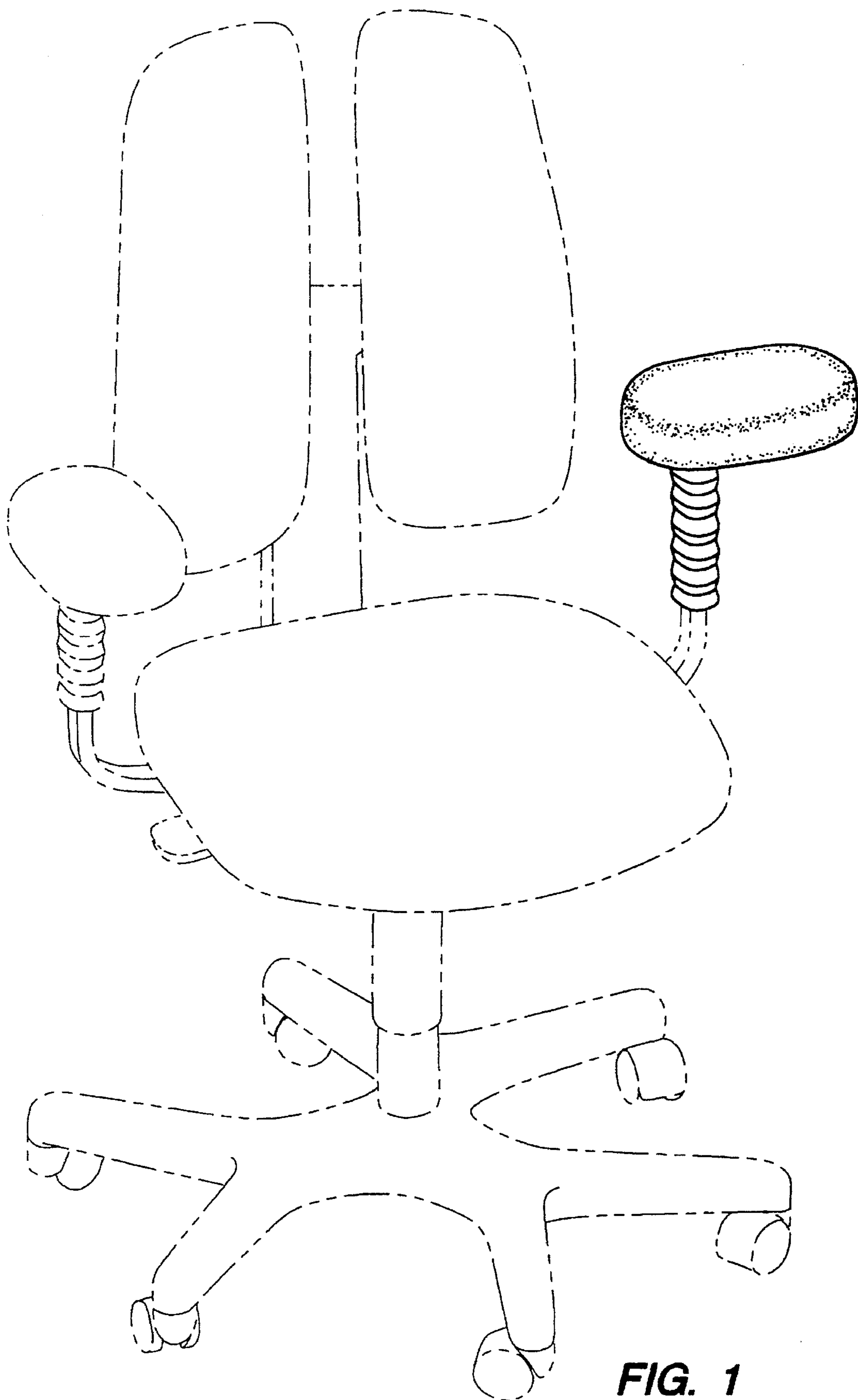
FIG. 4 is a side elevational view of the ergonomic arm support in a first position;

FIG. 5 is a bottom view of the ergonomic arm support; and,

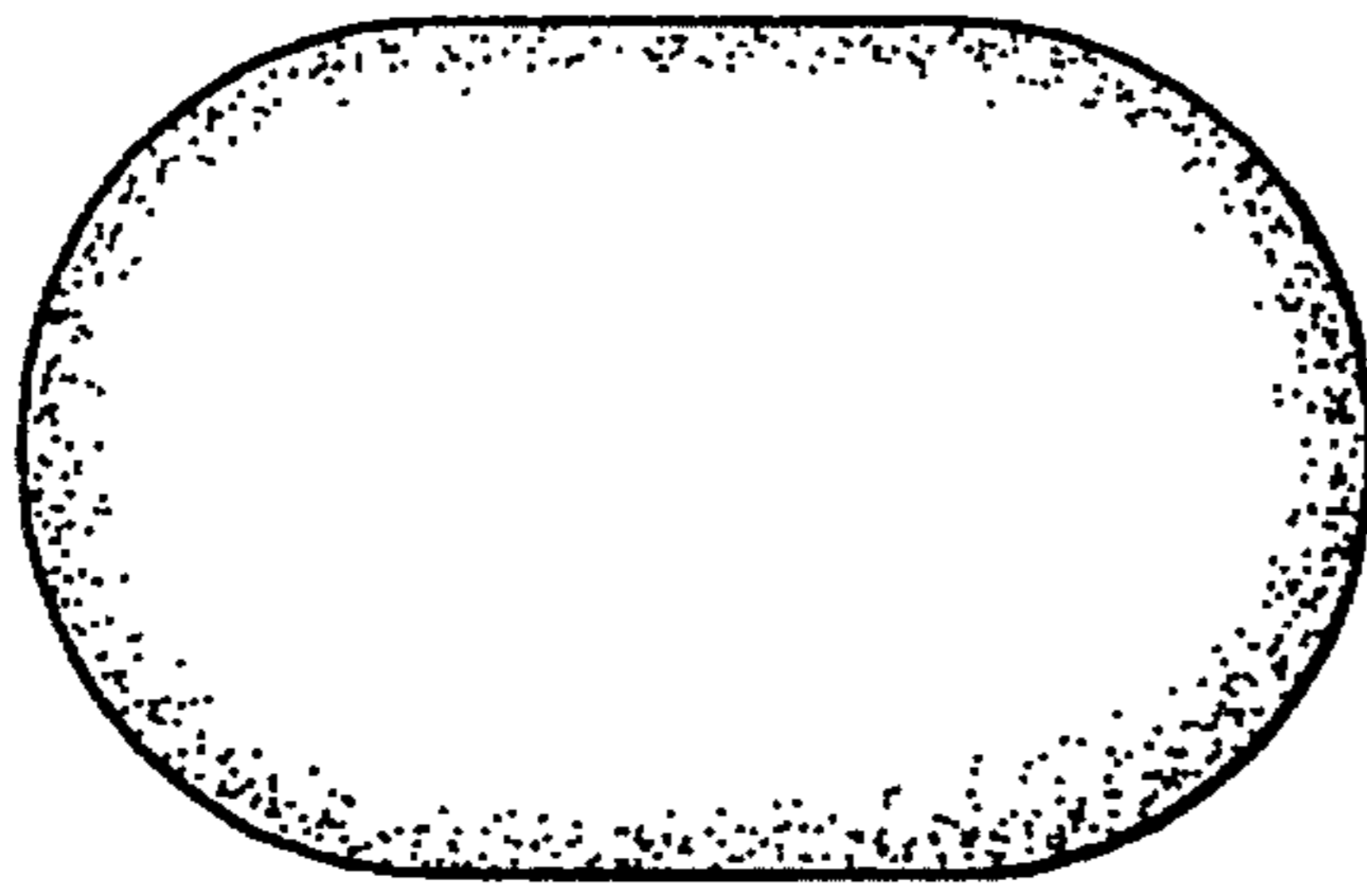
FIG. 6 is a side elevational view of the ergonomic arm support in a second position.

**1 Claim, 2 Drawing Sheets**

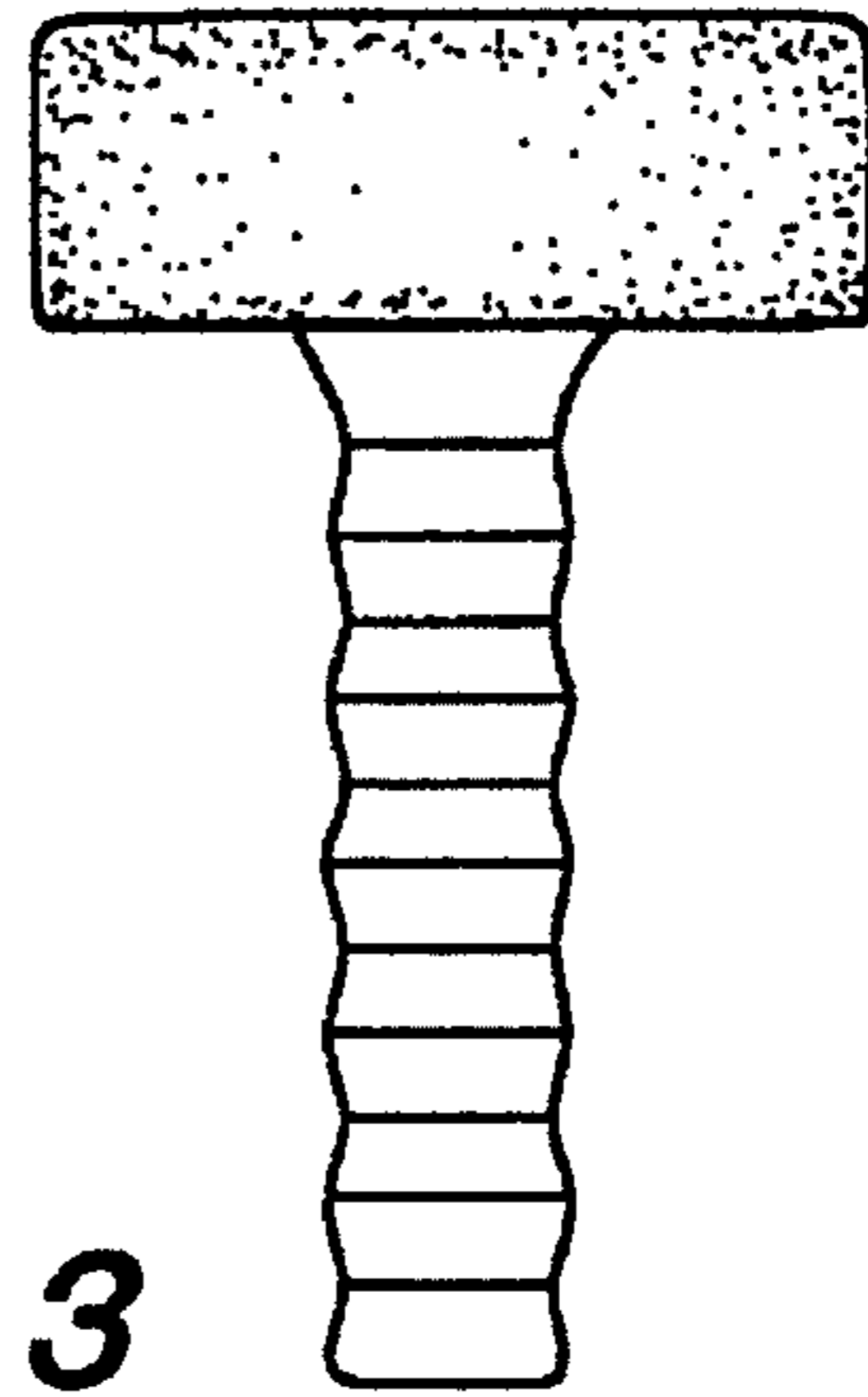




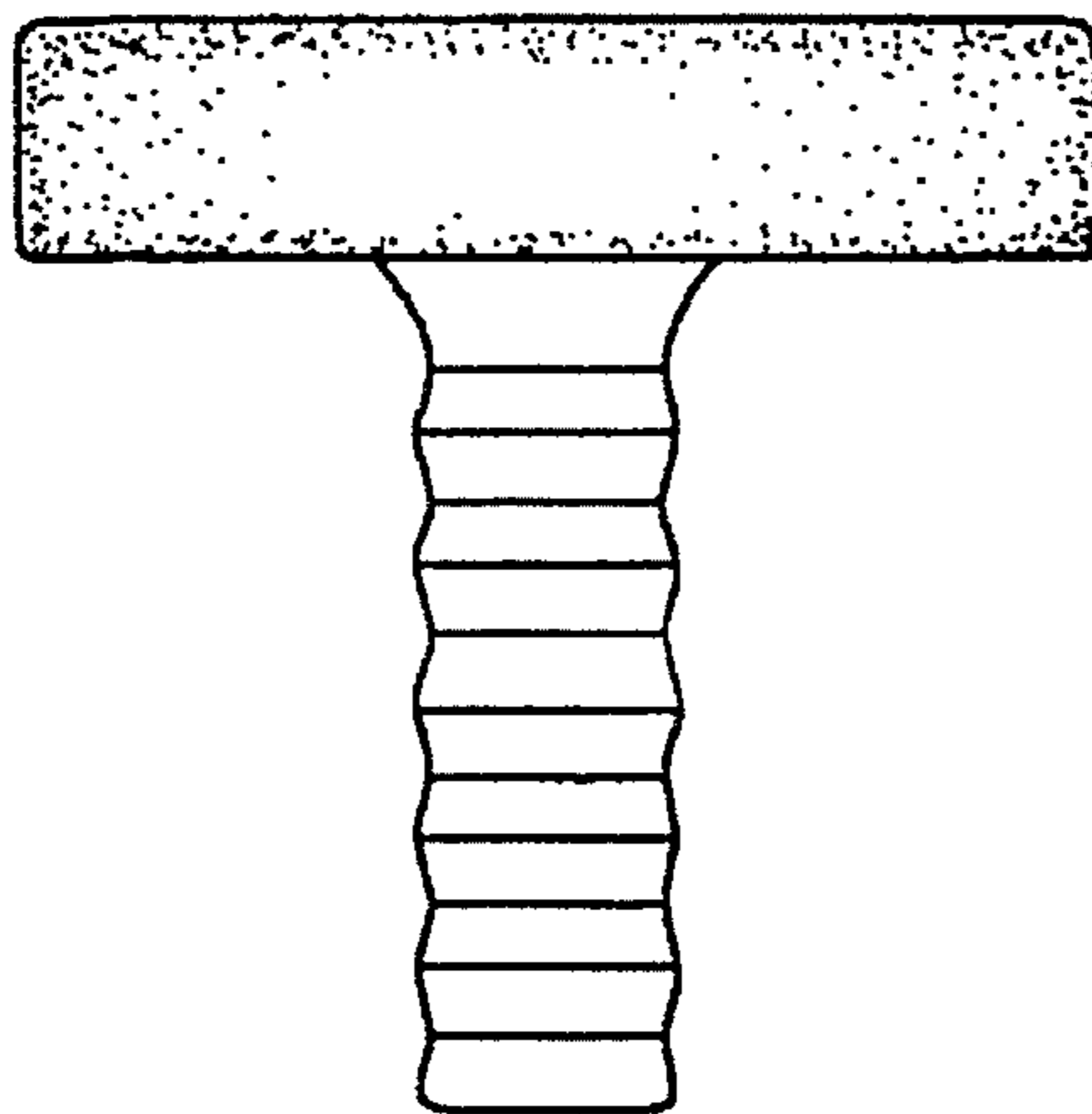
**FIG. 1**



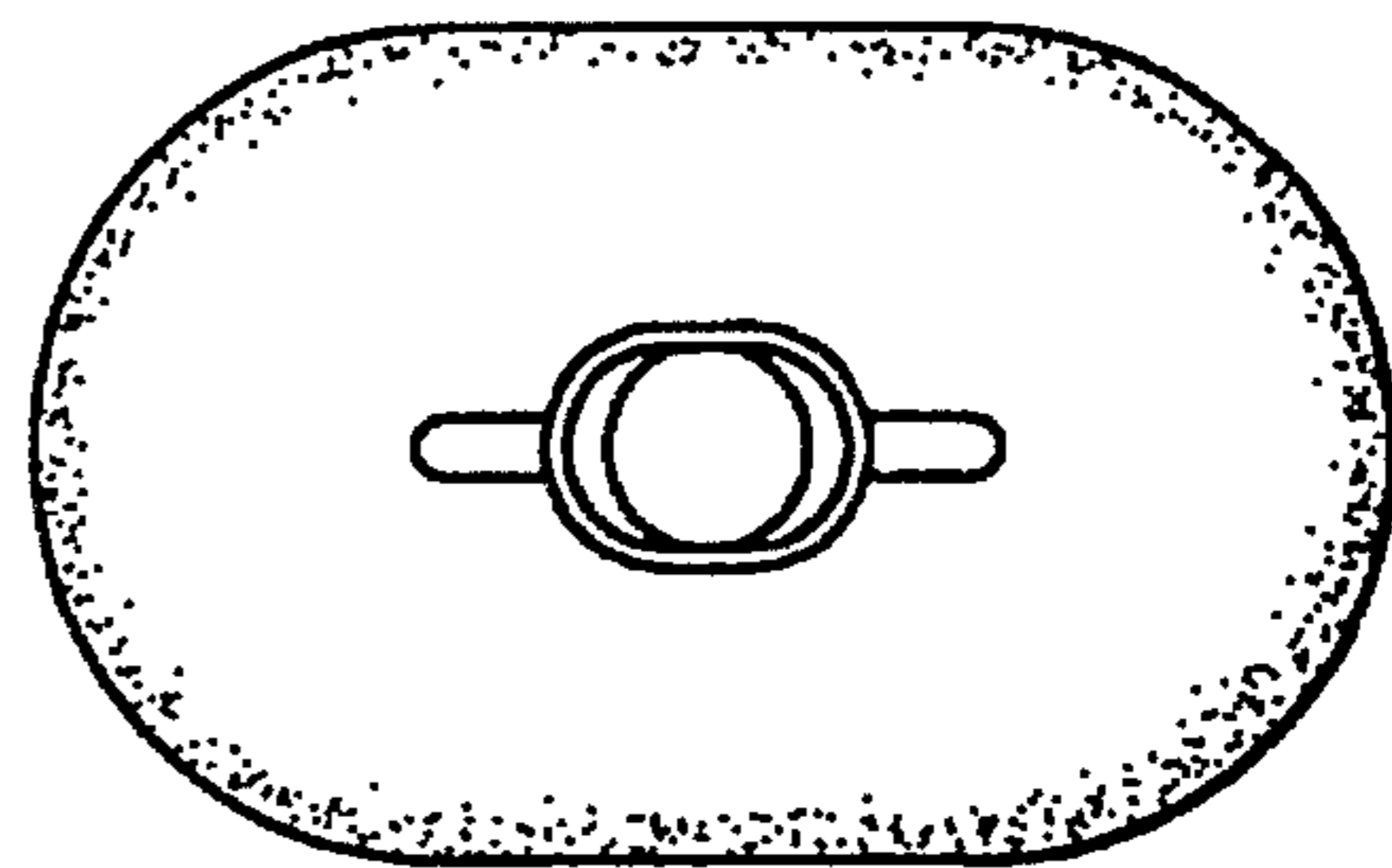
**FIG. 2**



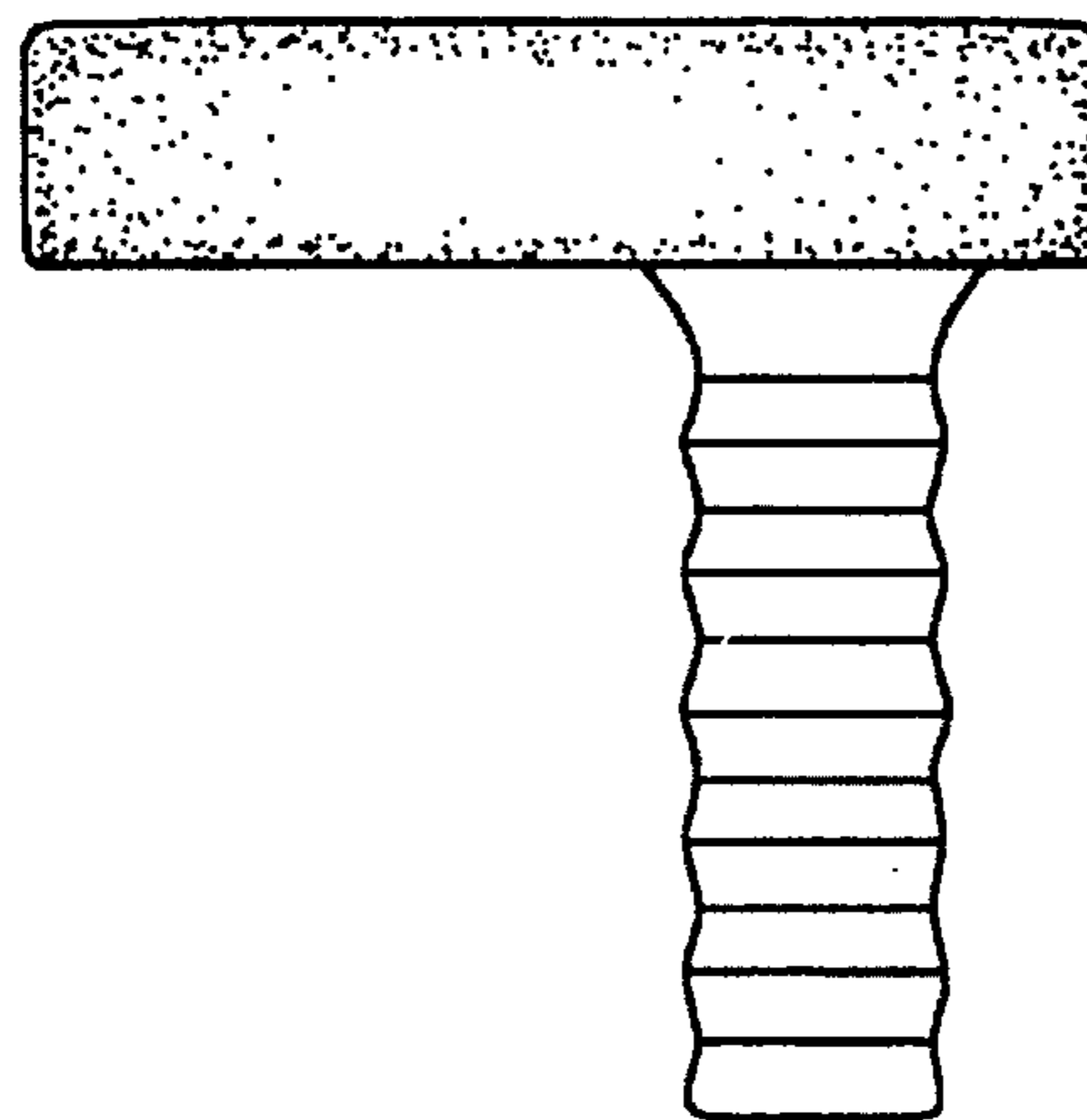
**FIG. 3**



**FIG. 4**



**FIG. 5**



**FIG. 6**