



US00D371467S

United States Patent [19]

[11] Patent Number: **Des. 371,467**

Biefnot et al.

[45] Date of Patent: ****Jul. 9, 1996**

[54] ARTICULATED BED

[76] Inventors: **Henri Biefnot**, Grand Route 22, Mons, Belgium, B-7000; **Marius Boonants**, rue due Vallon 21, Eugies, Belgium, B-7250; **Marcel Hubert**, rue des Francs 69, Marcinelle, Belgium, B-6001

[**] Term: **14 Years**

[21] Appl. No.: **30,227**

[22] Filed: **Oct. 24, 1994**

[30] Foreign Application Priority Data

Apr. 25, 1994	[BX]	Benelux TM/Des. Off.	05563-00
[52]	U.S. Cl.	D6/392
[58]	Field of Search	D6/382, 383, 389-395, D6/505-508; 5/239, 240, 236.1, 112, 191, 613, 618

[56] References Cited

U.S. PATENT DOCUMENTS

D. 256,527	8/1980	Guetat	D6/394
1,695,772	12/1928	Mingle	5/618
3,067,438	12/1962	Degen	5/236.1 X
3,305,877	2/1967	Nielsen	5/618
3,737,926	6/1973	Hermanson	5/236.1 X
4,674,140	6/1987	Boonants et al.	5/68

FOREIGN PATENT DOCUMENTS

195637	5/1923	United Kingdom	5/112
--------	--------	----------------------	-------

OTHER PUBLICATIONS

Product Literature entitled "SMP® Personalized Medical Adjustable Mattress Frame", presented at the F.I.M.M. 10th International Congress, Brussels, Sep. 16th. to 19th., 1992,

by Dr. Paul Castiaux, consisting of two double-sided green pages.

Photograph photocopy illustrating a bedspring that has been manufactured and sold in France since 1992.

Primary Examiner—Janice E. Seeger

Attorney, Agent, or Firm—Weingarten, Schurgin, Gagnebin & Hayes

[57] CLAIM

The ornamental design for an articulated bed, as shown and described.

DESCRIPTION

FIG. 1 is a perspective view of an articulated bed showing our new design;

FIG. 2 is a right side view thereof, the undisclosed opposite side being a mirror image;

FIG. 3 is a right side view thereof, illustrating repositioned movable elements, the undisclosed opposite side being a mirror image;

FIG. 4 is a front view thereof;

FIG. 5 is a rear view thereof;

FIG. 6 is a bottom view thereof;

FIG. 7 is a top view thereof;

FIG. 8 is a perspective view of an alternative embodiment of an articulated bed showing our new design;

FIG. 9 is a right side view of the design shown in FIG. 8, the undisclosed opposite side being a mirror image;

FIG. 10 is a right side view of the design shown in FIG. 8, illustrating repositioned movable elements, the undisclosed opposite side being a mirror image;

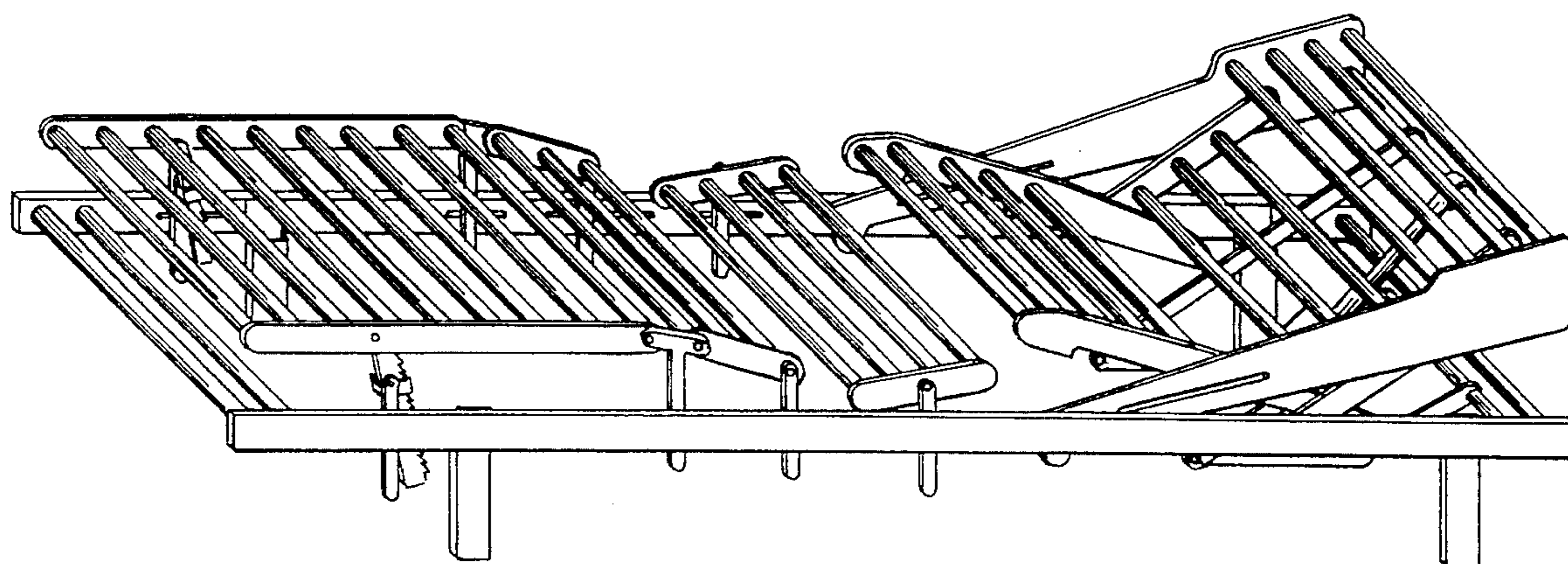
FIG. 11 is a front view of the design shown in FIG. 8;

FIG. 12 is a rear view of the design shown in FIG. 8;

FIG. 13 is a bottom view of the design shown in FIG. 8; and,

FIG. 14 is a top view of the design shown in FIG. 8.

1 Claim, 10 Drawing Sheets



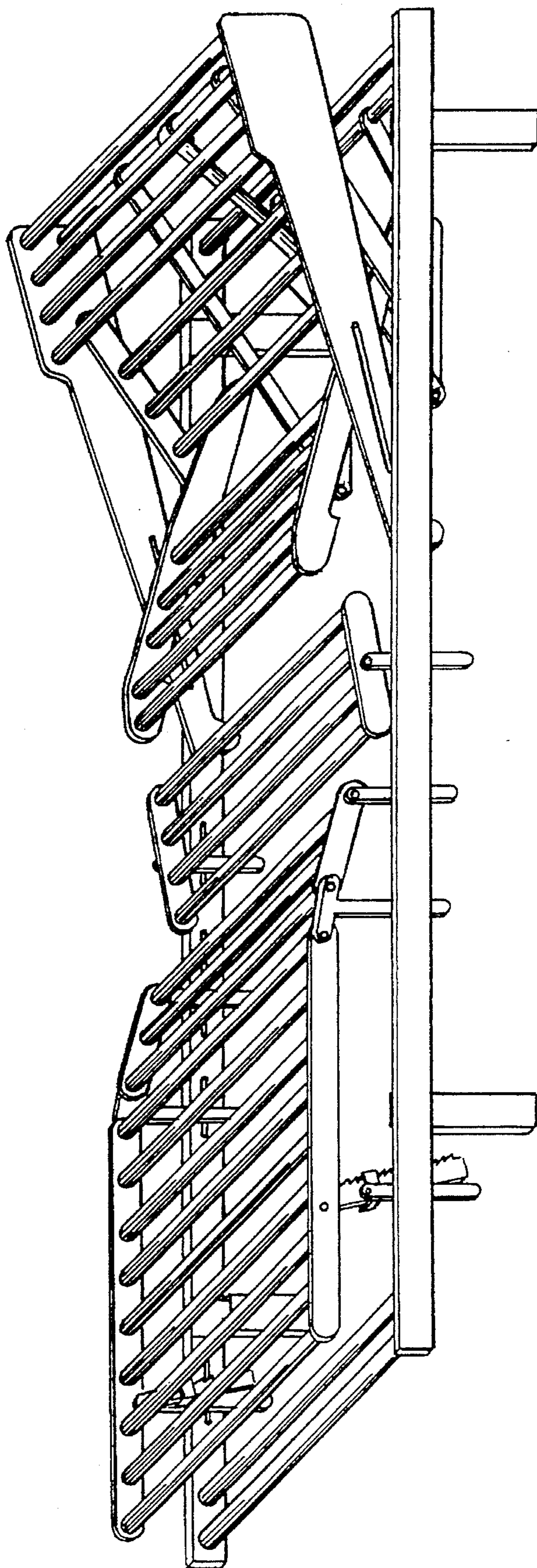


FIG. 1

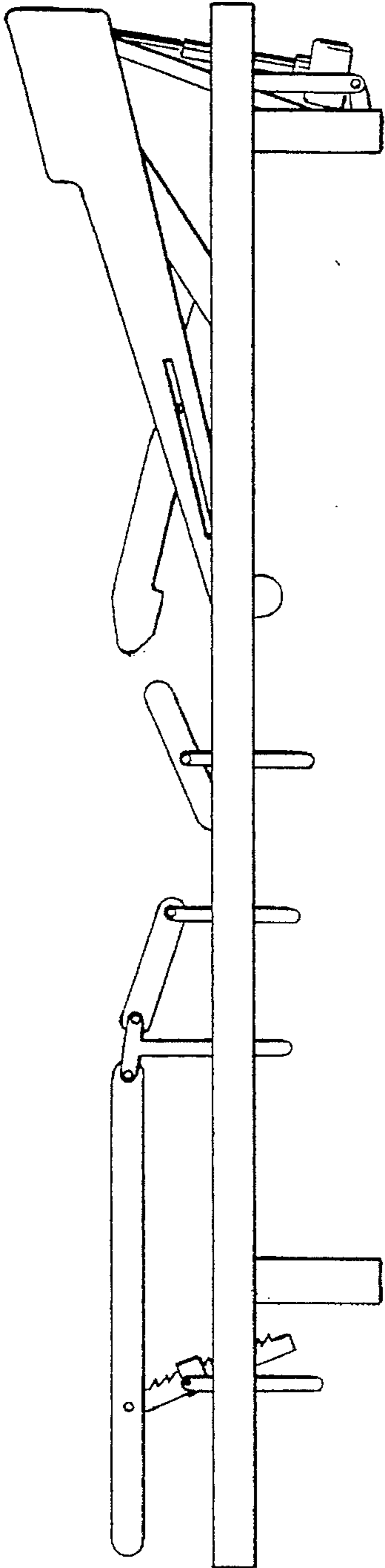


FIG. 2

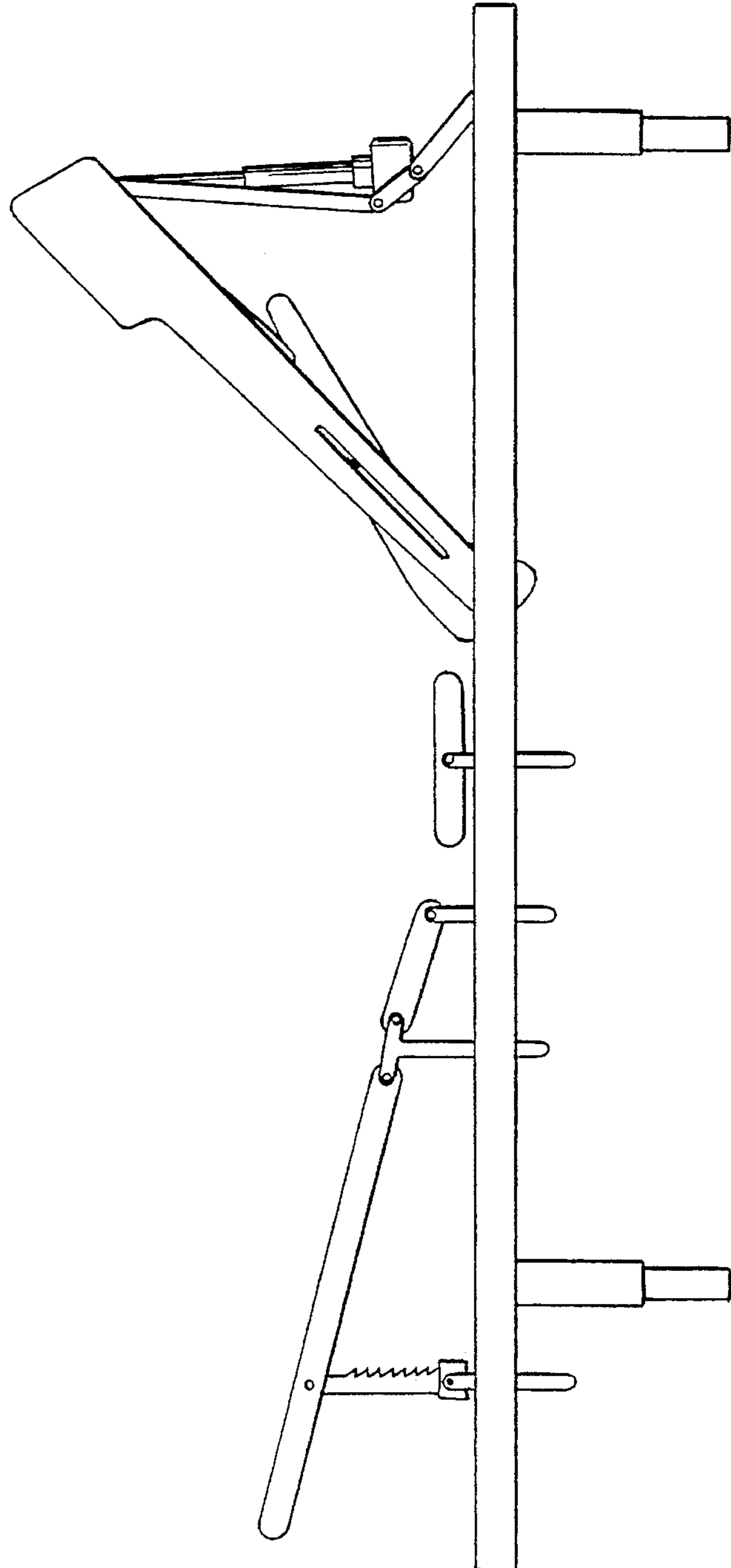


FIG. 3

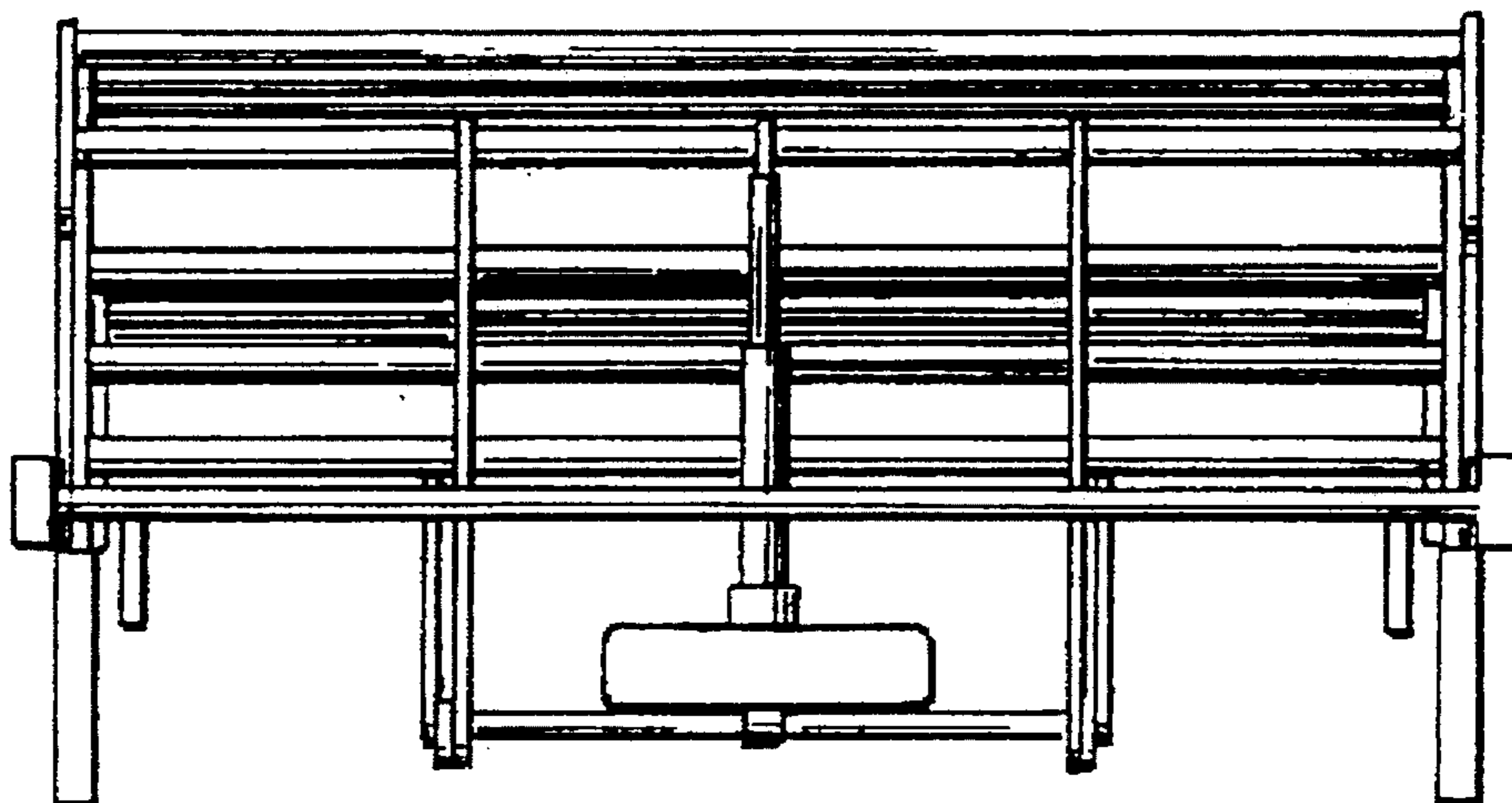


FIG. 4

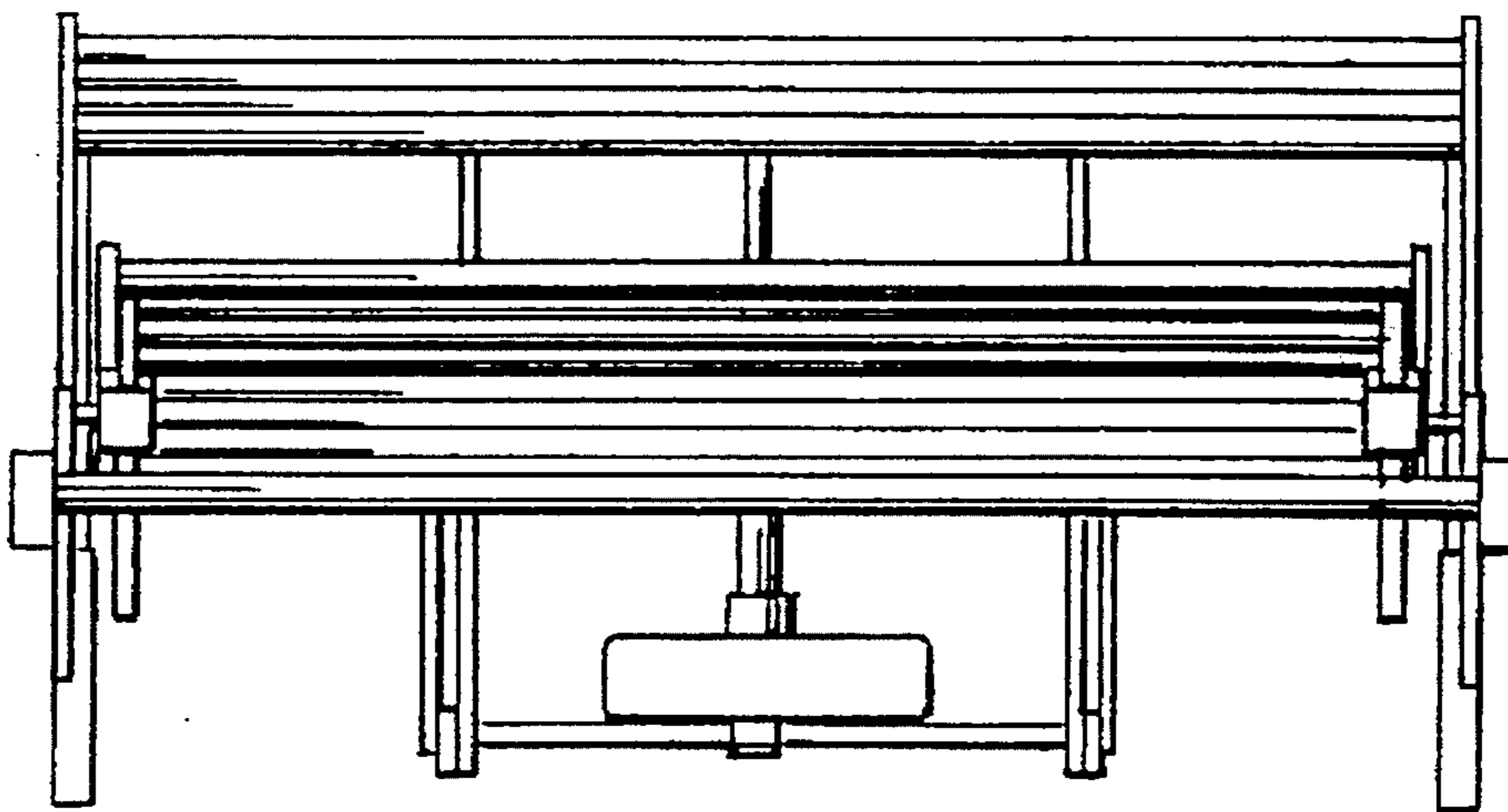


FIG. 5

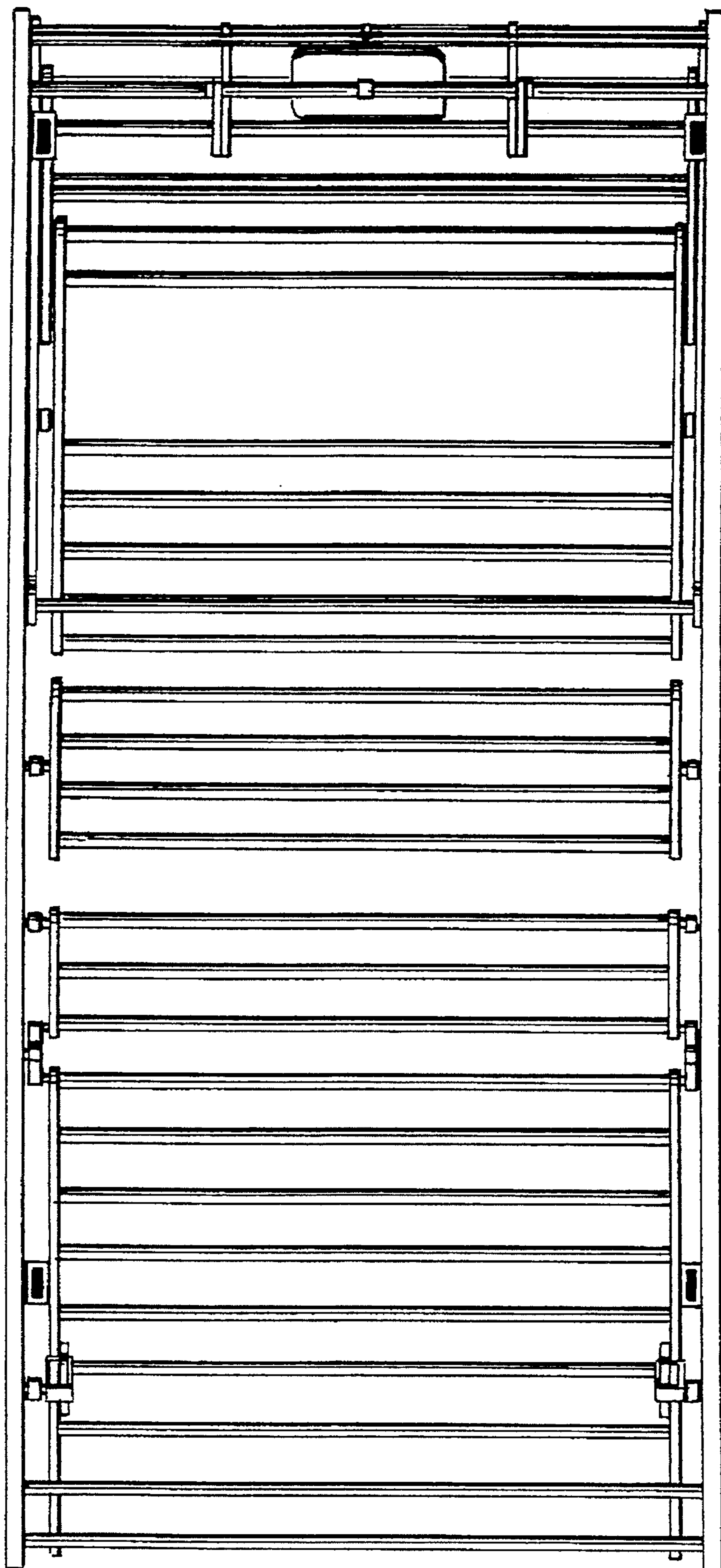


FIG. 6

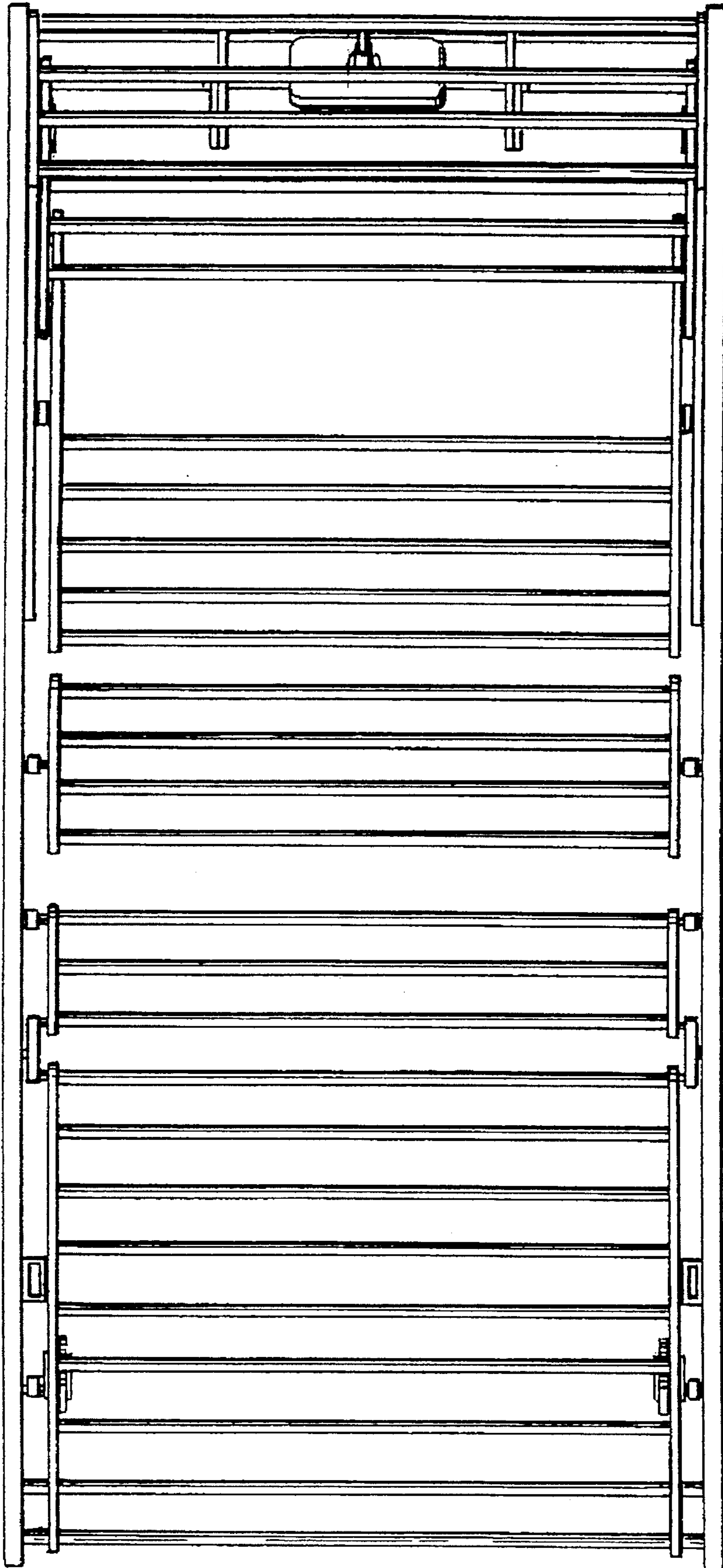


FIG. 7

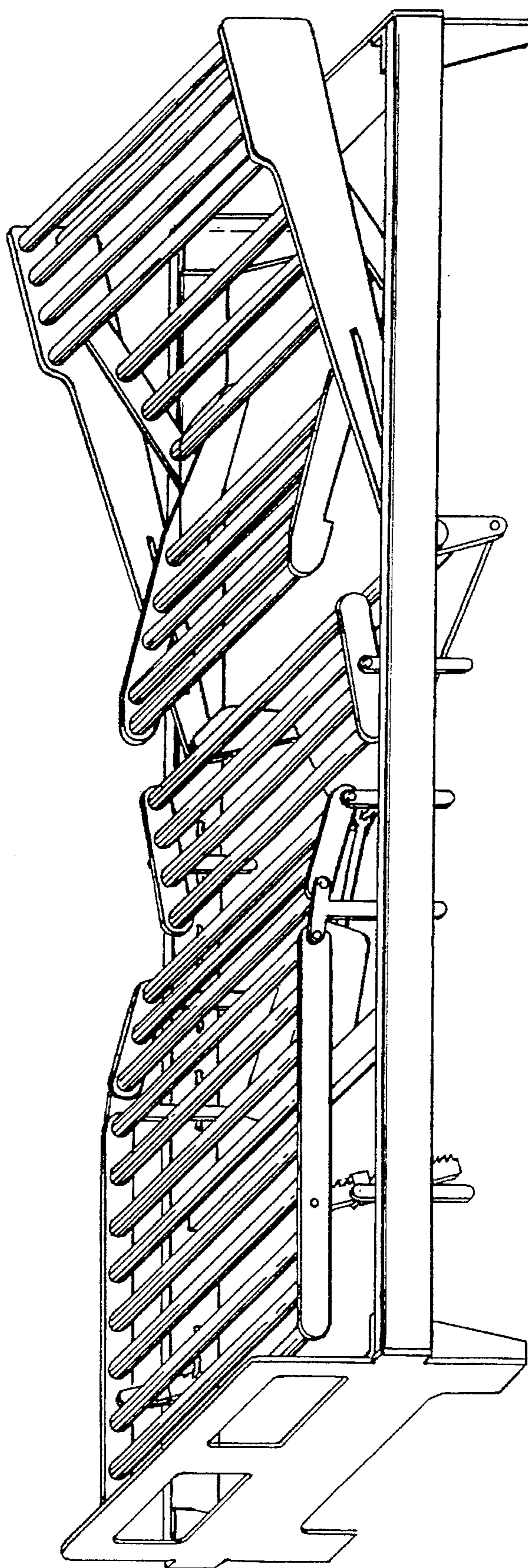


FIG. 8

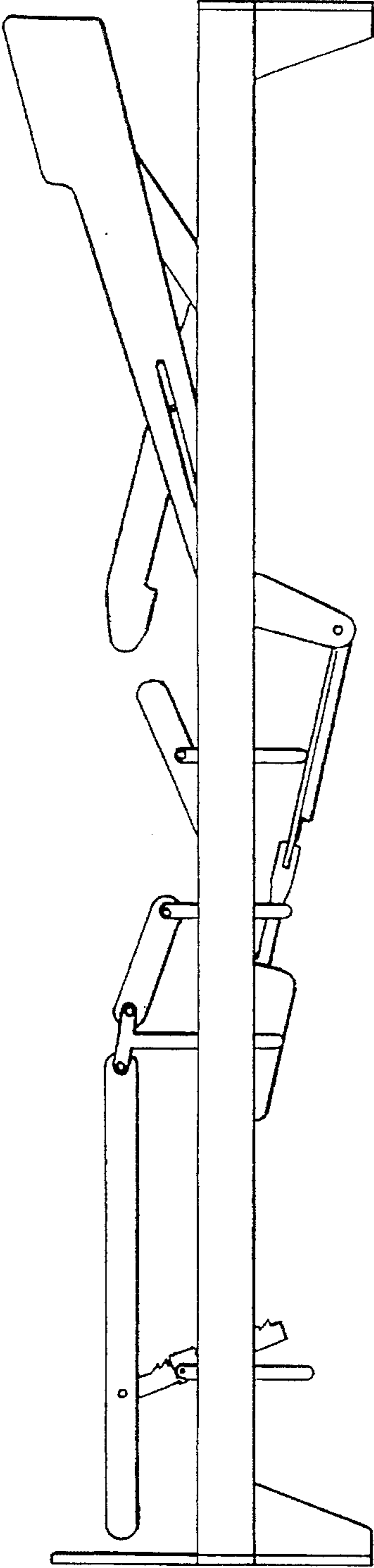


FIG. 9

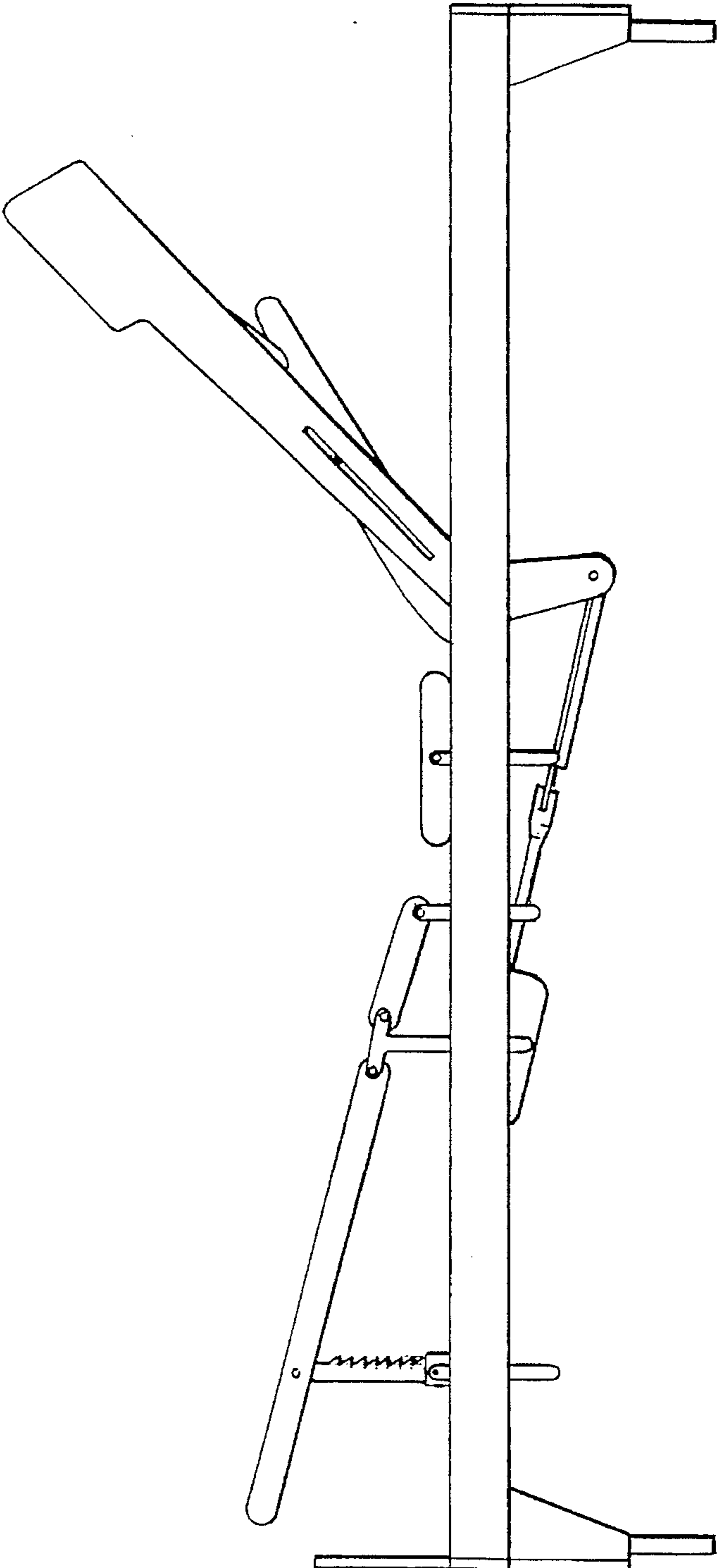


FIG. 10

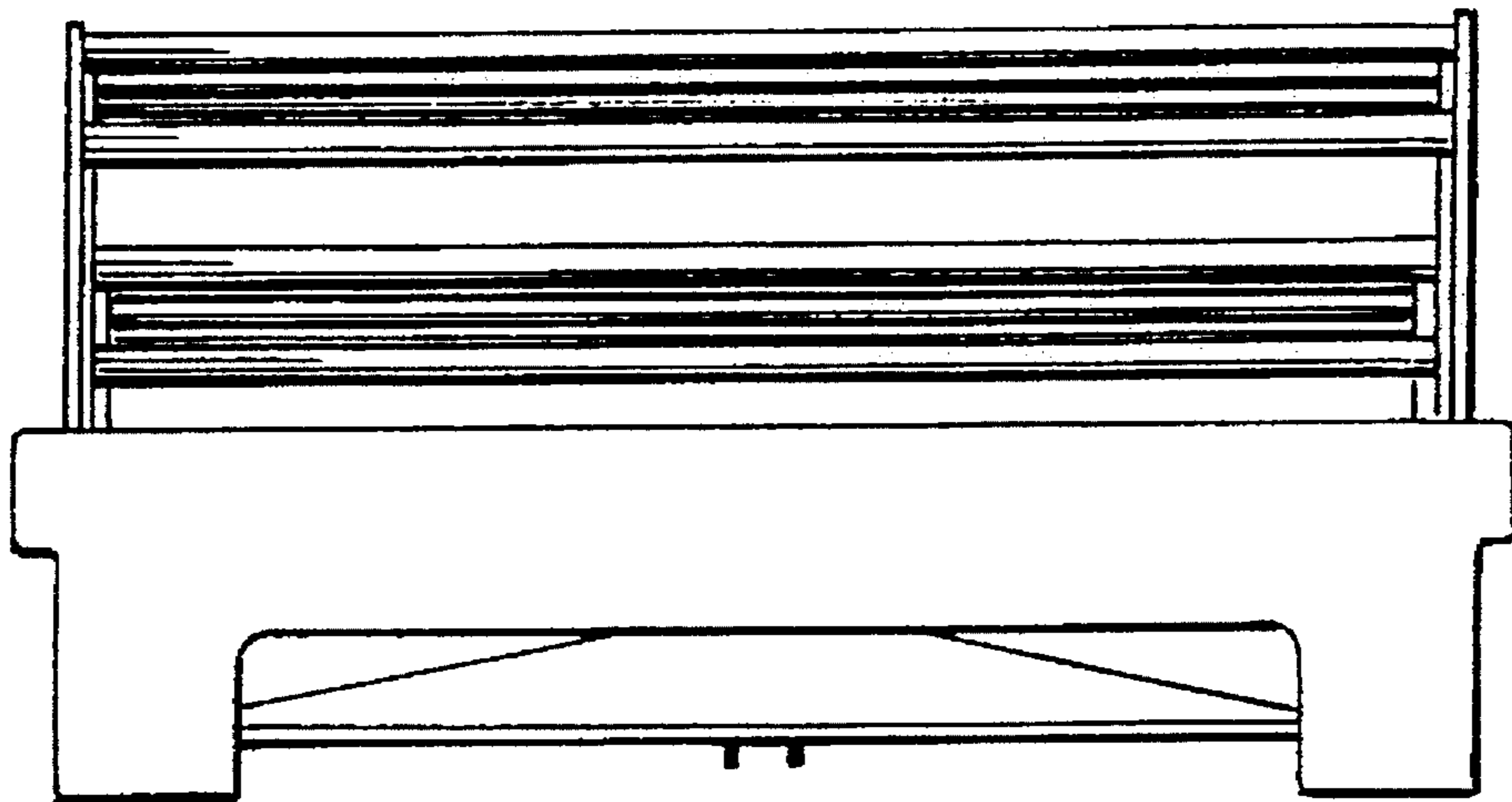


FIG. 11

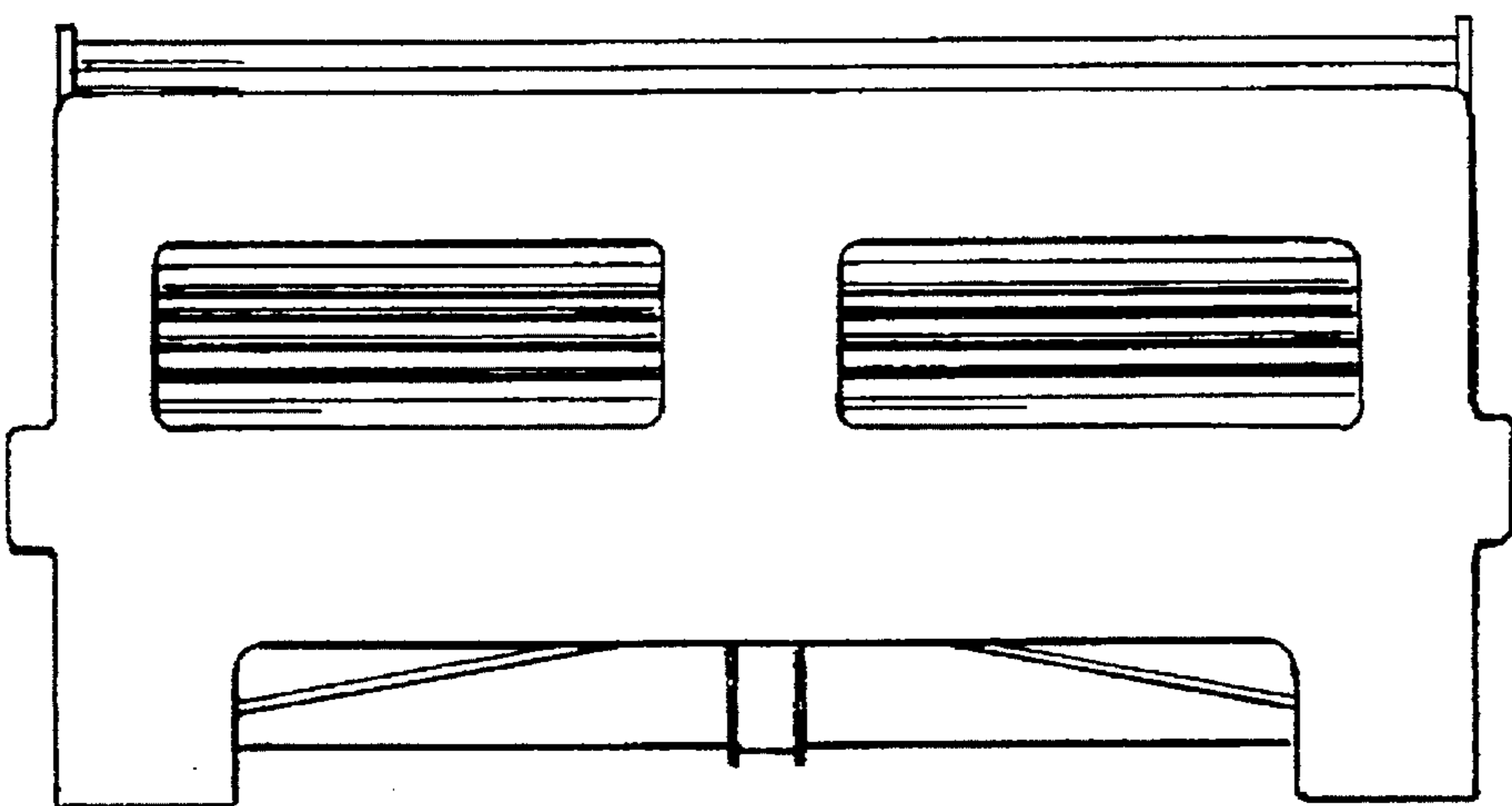


FIG. 12

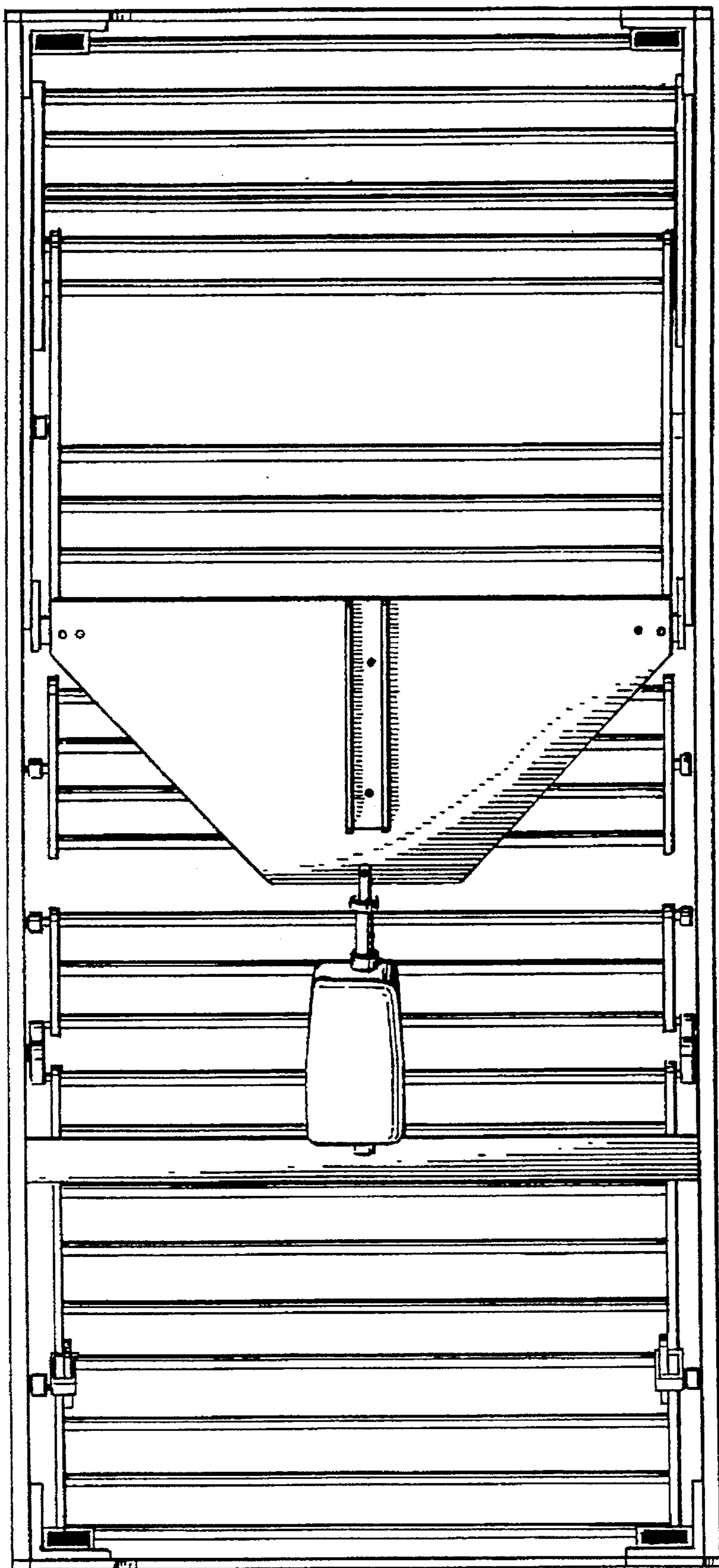


FIG. 13

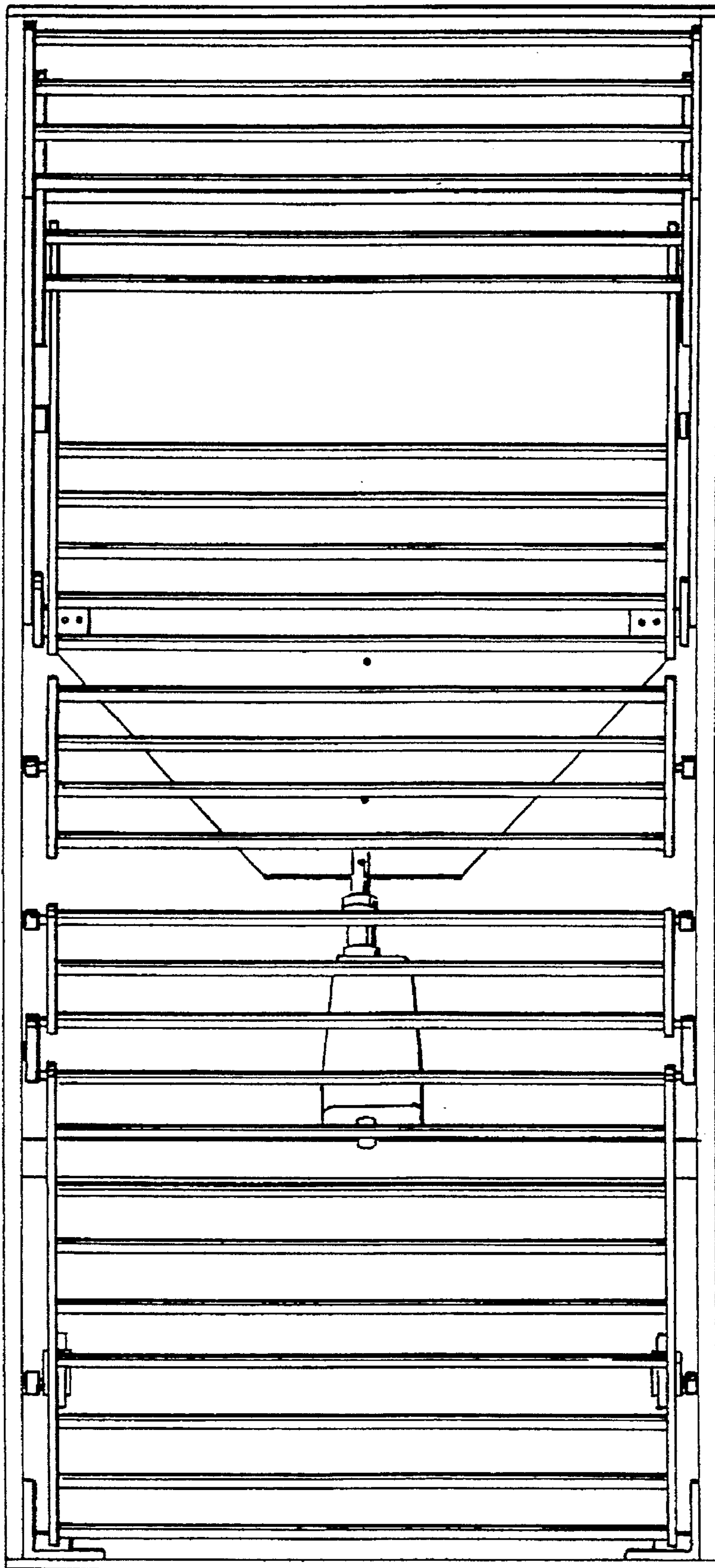


FIG. 14