



US00D371461S

United States Patent [19]

[11] Patent Number: **Des. 371,461**

Bly et al.

[45] Date of Patent: ****Jul. 9, 1996**

[54] TOY ROCKER

D. 347,528 6/1994 Lee D6/351

[75] Inventors: **Richard F. Bly; Kent S. Wilson**, both of Kane, Pa.

Primary Examiner—Gary D. Watson
Attorney, Agent, or Firm—Hodgson, Russ, Andrews, Woods & Goodyear

[73] Assignee: **Holgate Toy Company**, Kane, Pa.

[57] CLAIM

[**] Term: **14 Years**

The ornamental design for a toy rocker, as shown and described.

[21] Appl. No.: **34,998**

DESCRIPTION

[22] Filed: **Feb. 16, 1995**

[52] U.S. Cl. **D6/345; D6/348**

[58] Field of Search D6/334, 345, 348, D6/351, 358, 500, 501, 502; 297/181, 258

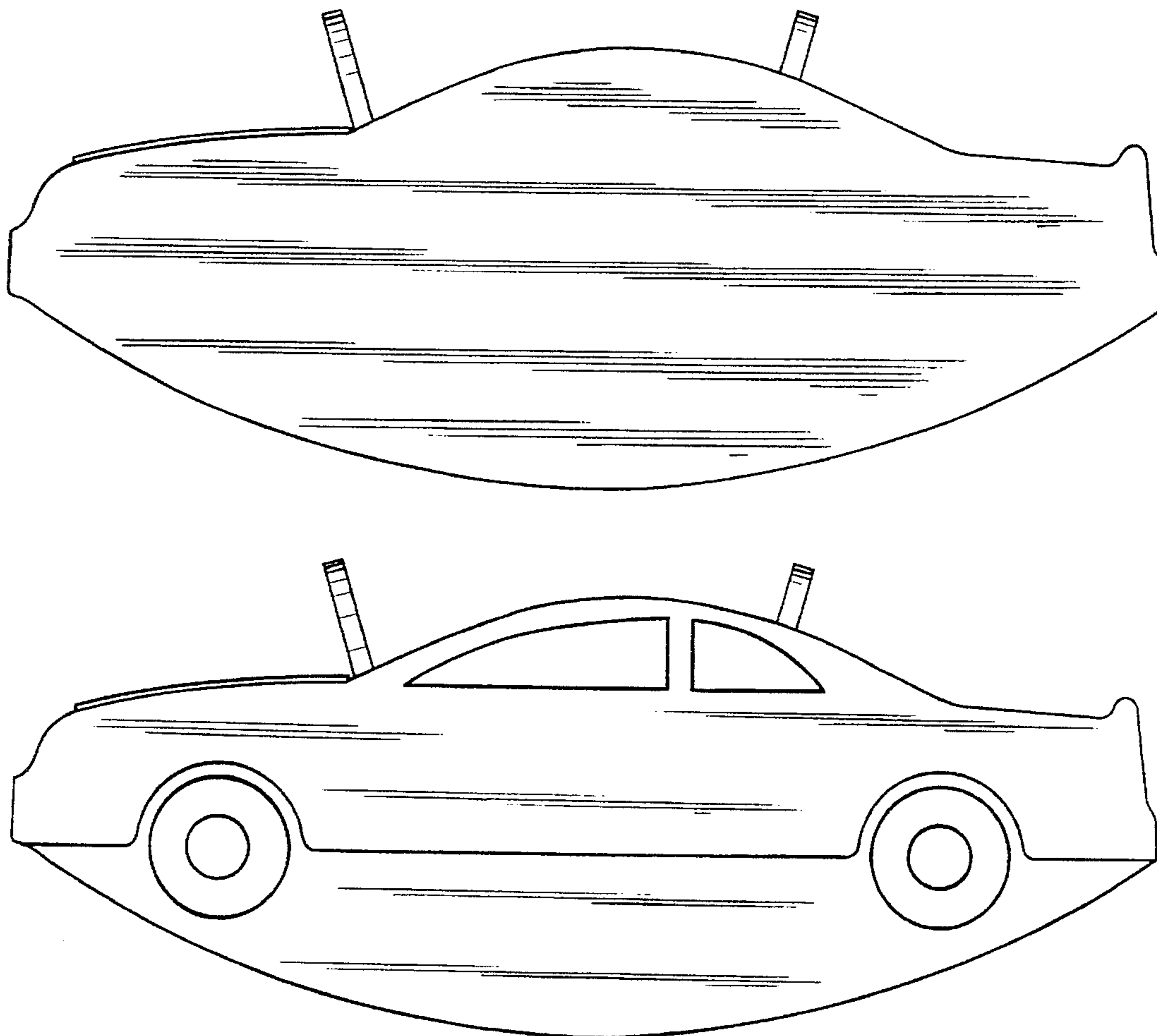
FIG. 1 is a side view of a toy rocker showing my new design, the opposite side view being the same as this side view; FIG. 2 is a top view thereof; FIG. 3 is a bottom view thereof; FIG. 4 is a front view thereof; FIG. 5 is a rear view thereof; FIG. 6 is a sectional view thereof taken along lines 6—6 of FIG. 3; and, FIG. 7 is a side view similar to that of FIG. 1 of an alternative embodiment thereof wherein the side has been marked to give the appearance of an automobile, the opposite side being marked the same as this side view and this embodiment having views which are the same as in FIGS. 2 to 6.

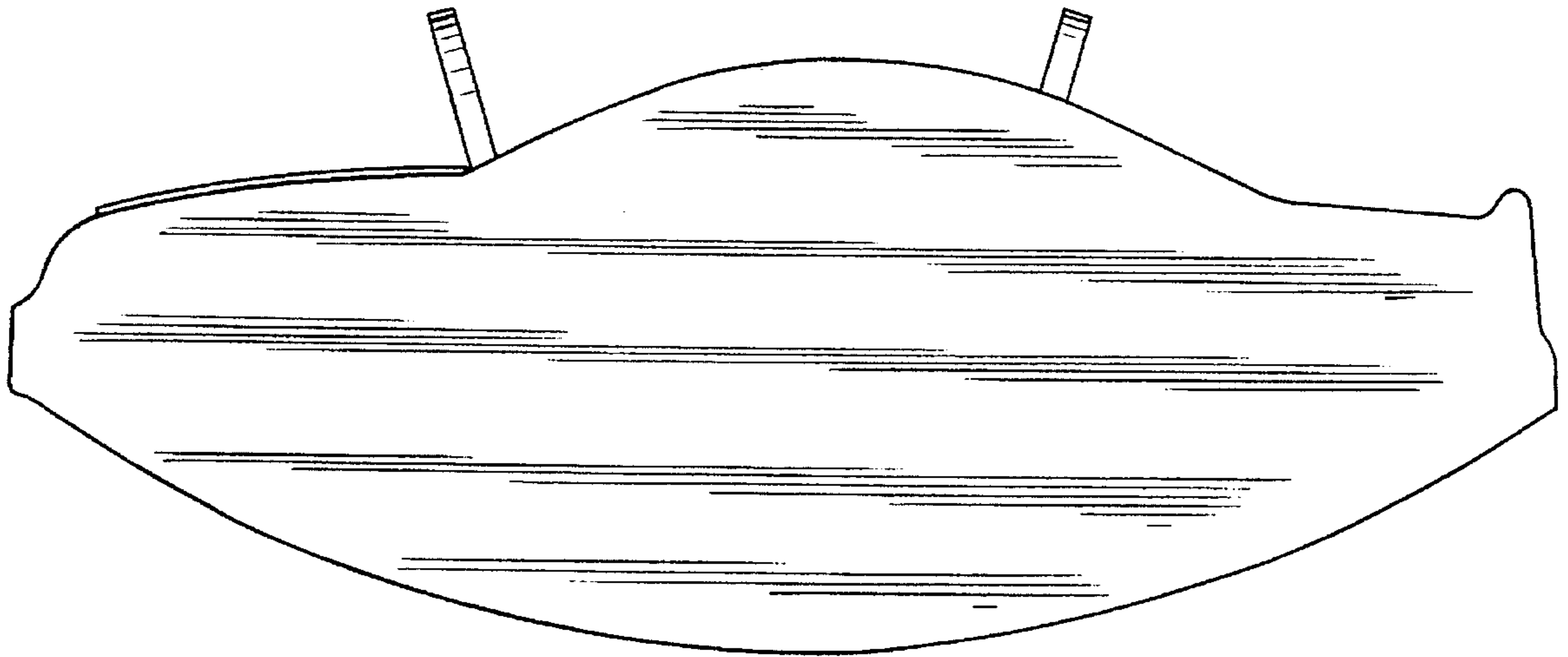
[56] References Cited

U.S. PATENT DOCUMENTS

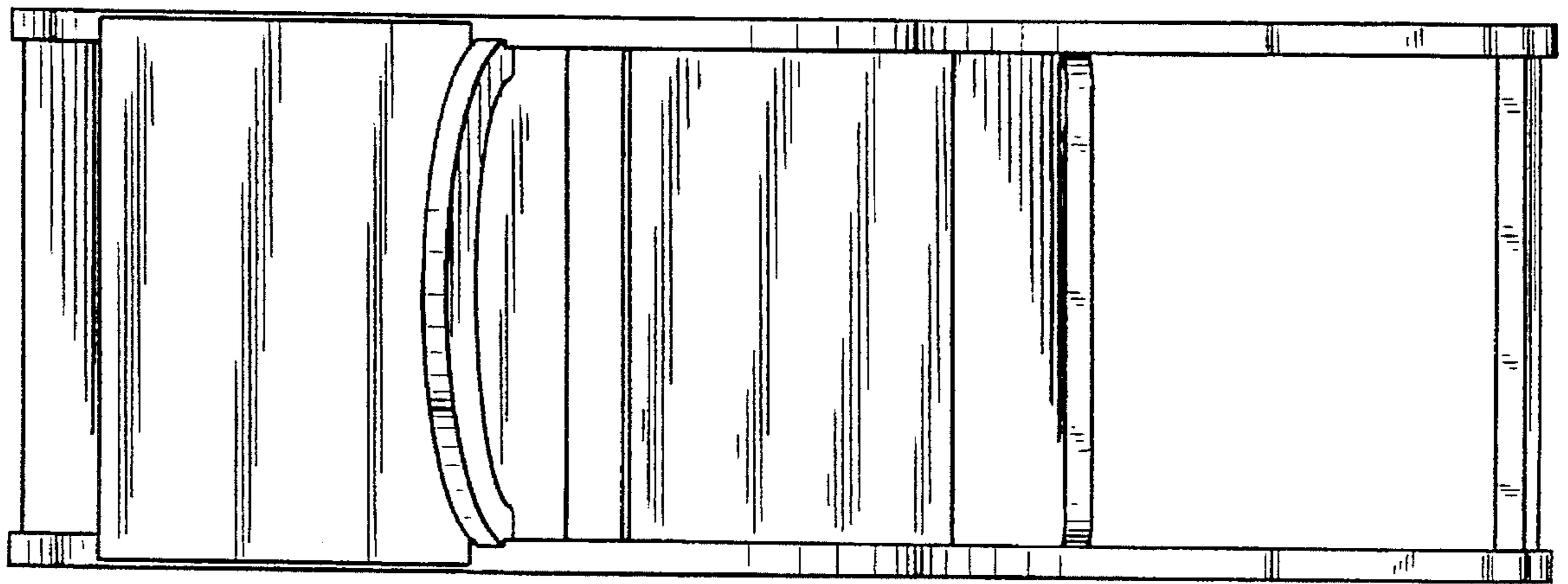
D. 51,730	2/1918	Marqua	D6/345	X
D. 136,165	8/1943	Reach	D6/348	
D. 142,512	10/1945	Cronk	297/181	X
D. 154,517	7/1949	Strack	D6/345	
D. 169,466	4/1953	White	D6/345	
D. 240,843	8/1976	Zick	D6/358	X
D. 278,293	4/1985	Strang	D6/348	
D. 286,590	11/1986	Smith	D6/345	X
D. 287,076	12/1986	Hart	D6/345	X
D. 314,675	2/1991	Watts	D6/345	

1 Claim, 3 Drawing Sheets





—FIG.1



—FIG.2

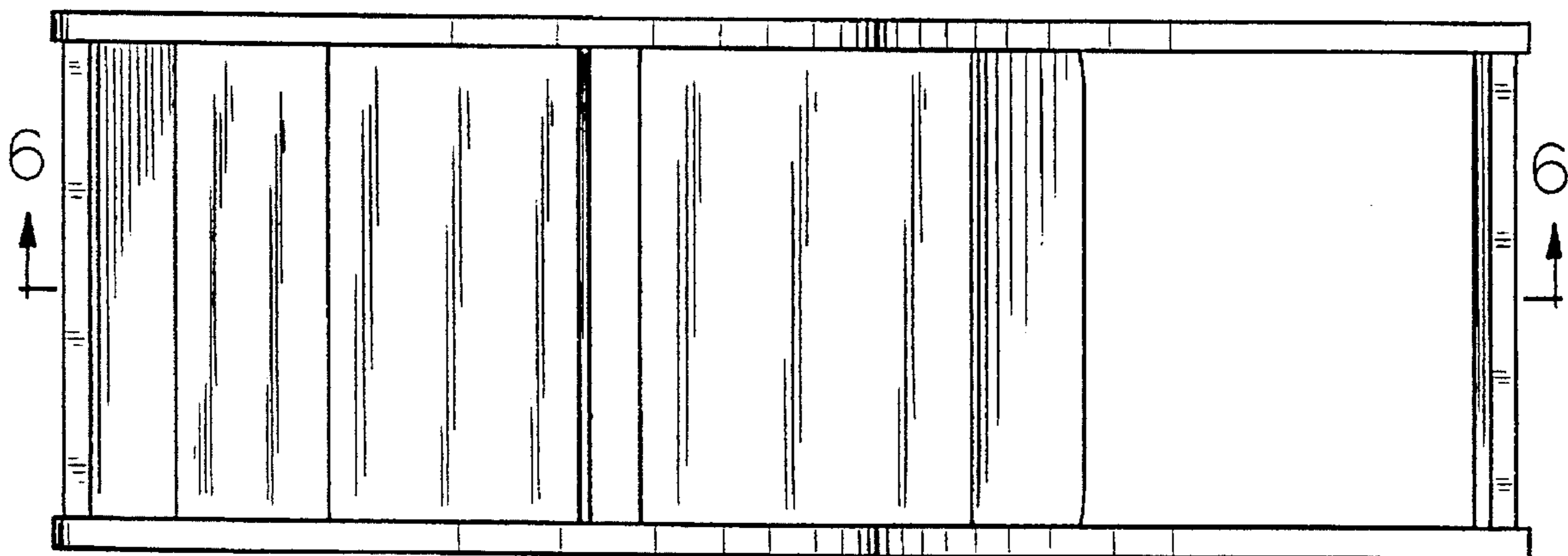


FIG. 3

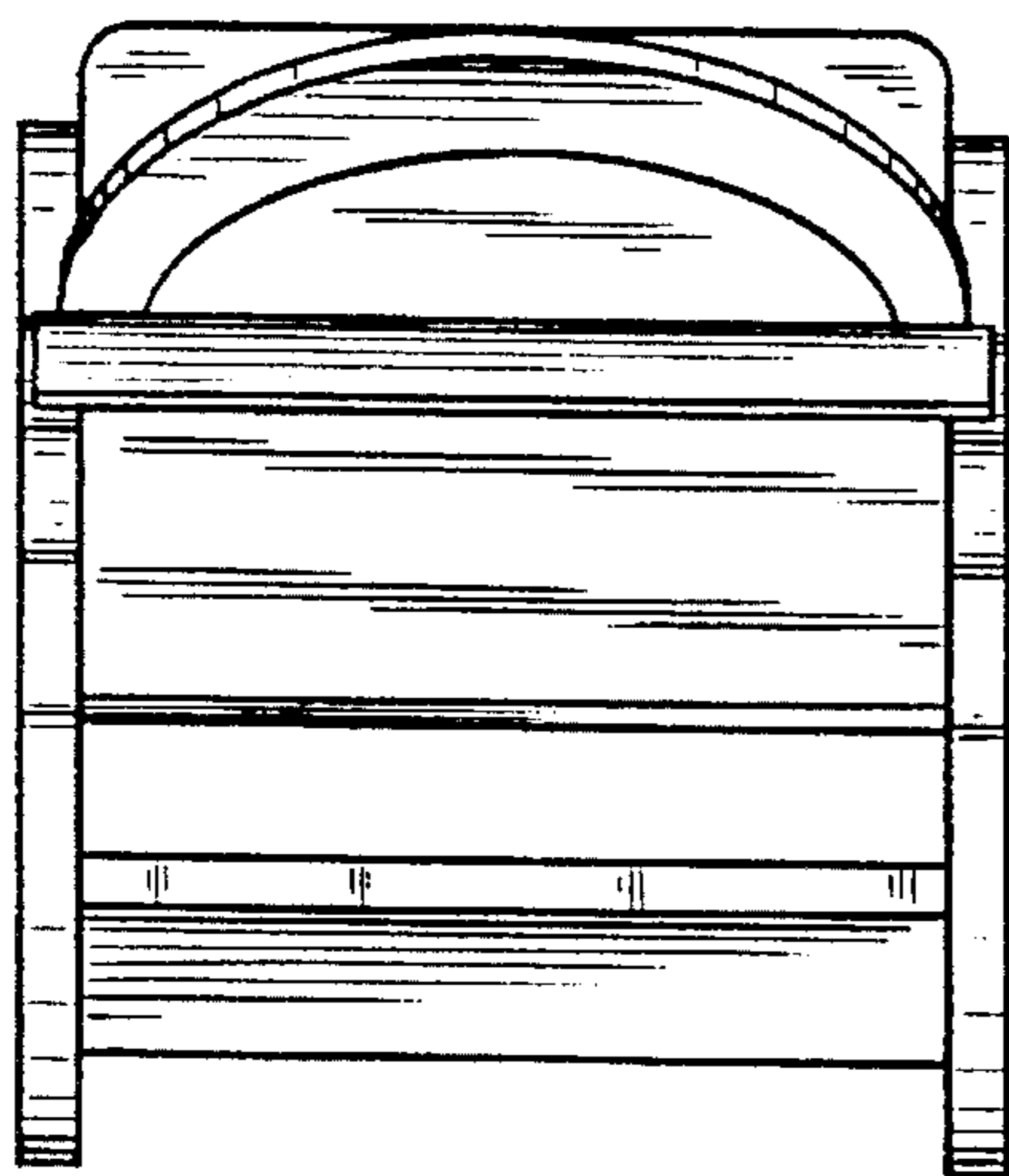


FIG. 4

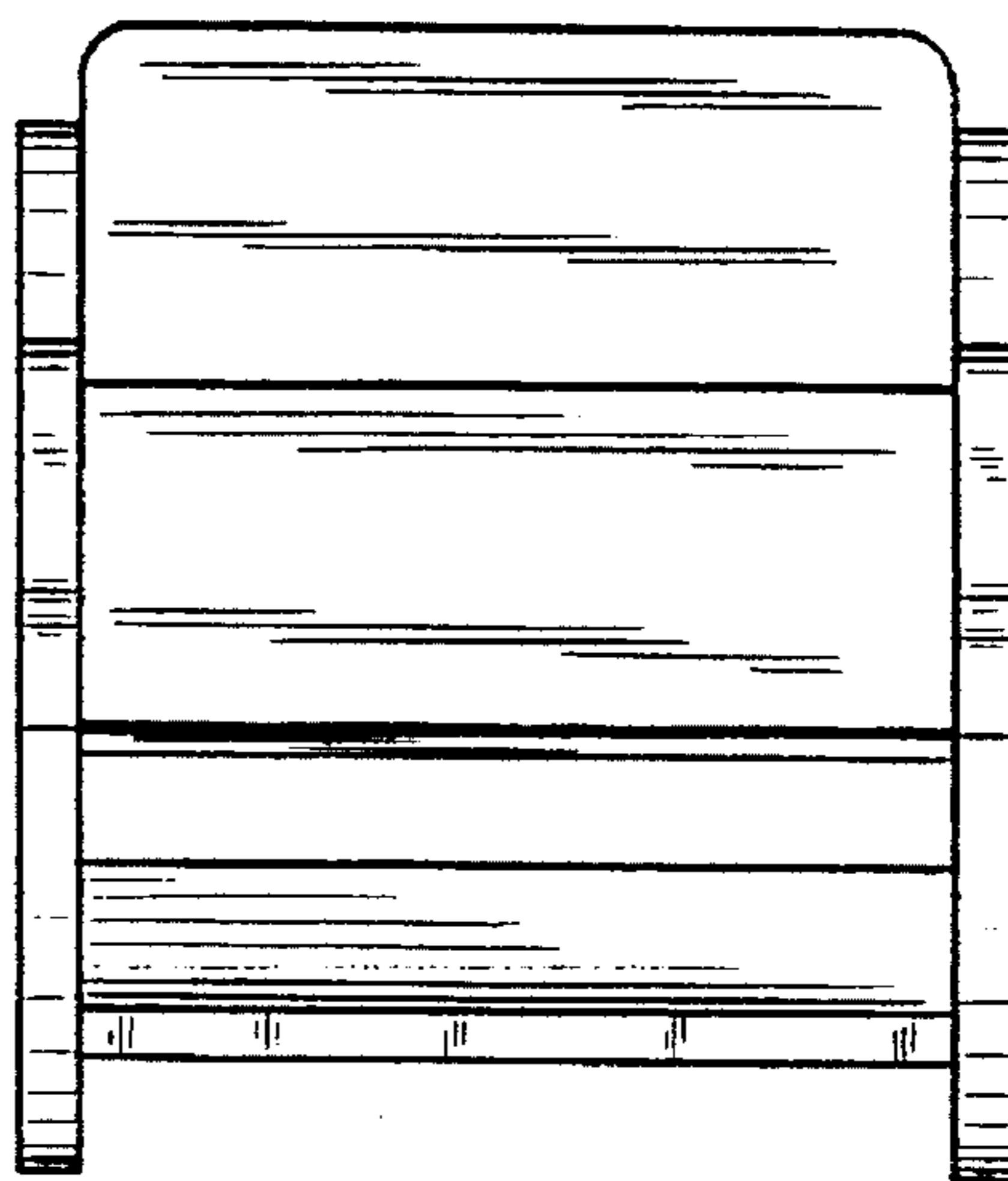


FIG. 5

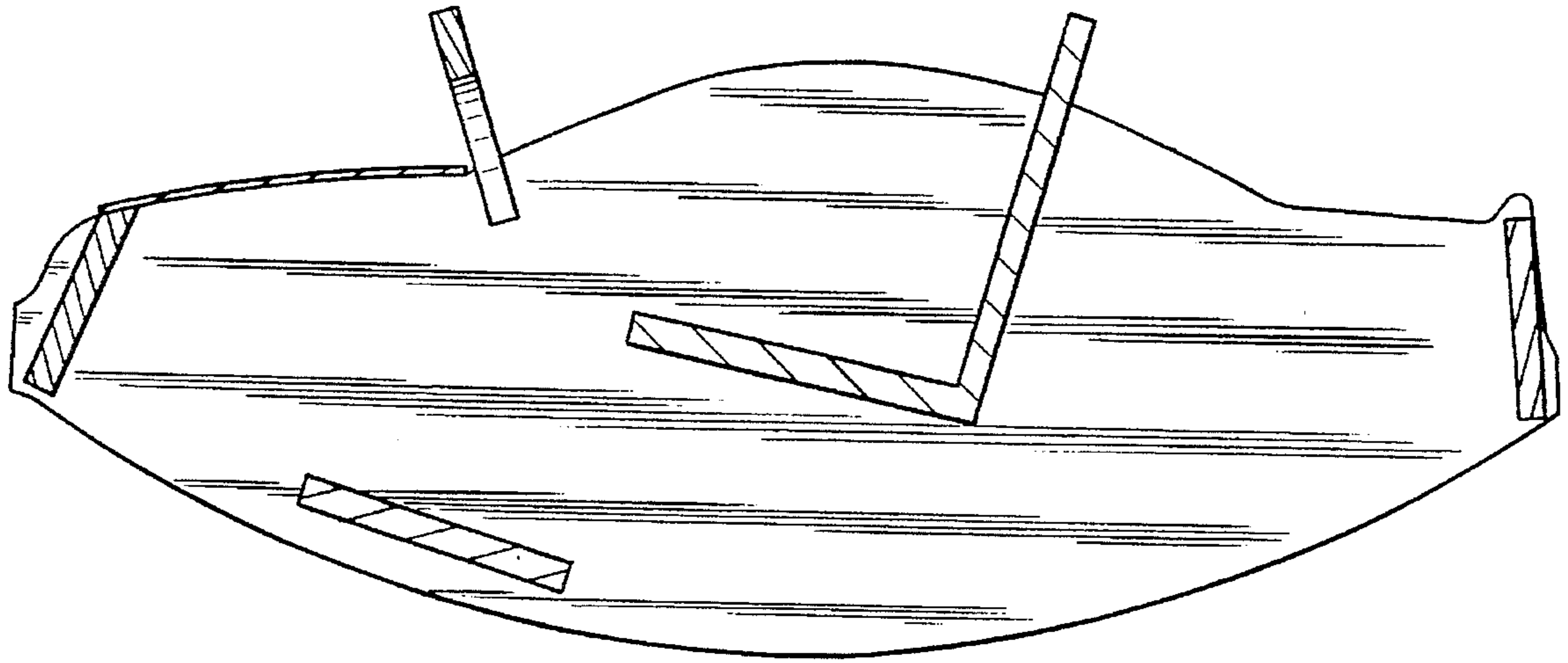


FIG. 6

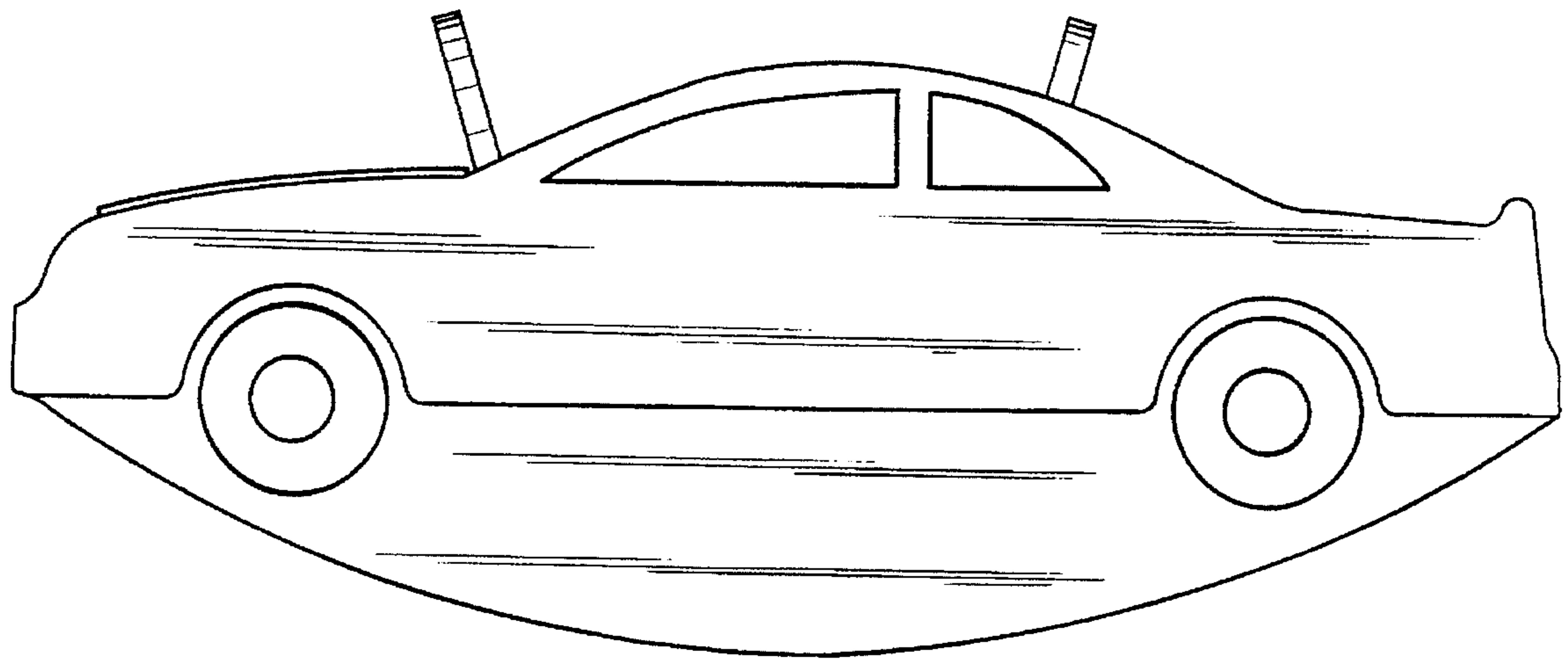


FIG. 7