



US00D371460S

United States Patent [19]

[11] Patent Number: **Des. 371,460**

Ferguson

[45] Date of Patent: ****Jul. 9, 1996**

[54] **KILT AND COAT HANGER**

5,145,098 9/1992 Tung .

[76] Inventor: **George H. Ferguson**, 2289 Harkness Ct., Biloxi, Miss. 39532-3126

FOREIGN PATENT DOCUMENTS

[**] Term: **14 Years**

482509 4/1992 European Pat. Off. .

2243541 6/1991 United Kingdom .

[21] Appl. No.: **28,967**

Primary Examiner—Dominic Simone
Attorney, Agent, or Firm—Richard C. Litman

[22] Filed: **Sep. 27, 1994**

[57] **CLAIM**

[52] U.S. Cl. **D6/328**

The ornamental design for a kilt and coat hanger, as shown and described.

[58] Field of Search D6/315, 319, 328, D6/395; 211/113; 223/88, 92, 95

DESCRIPTION

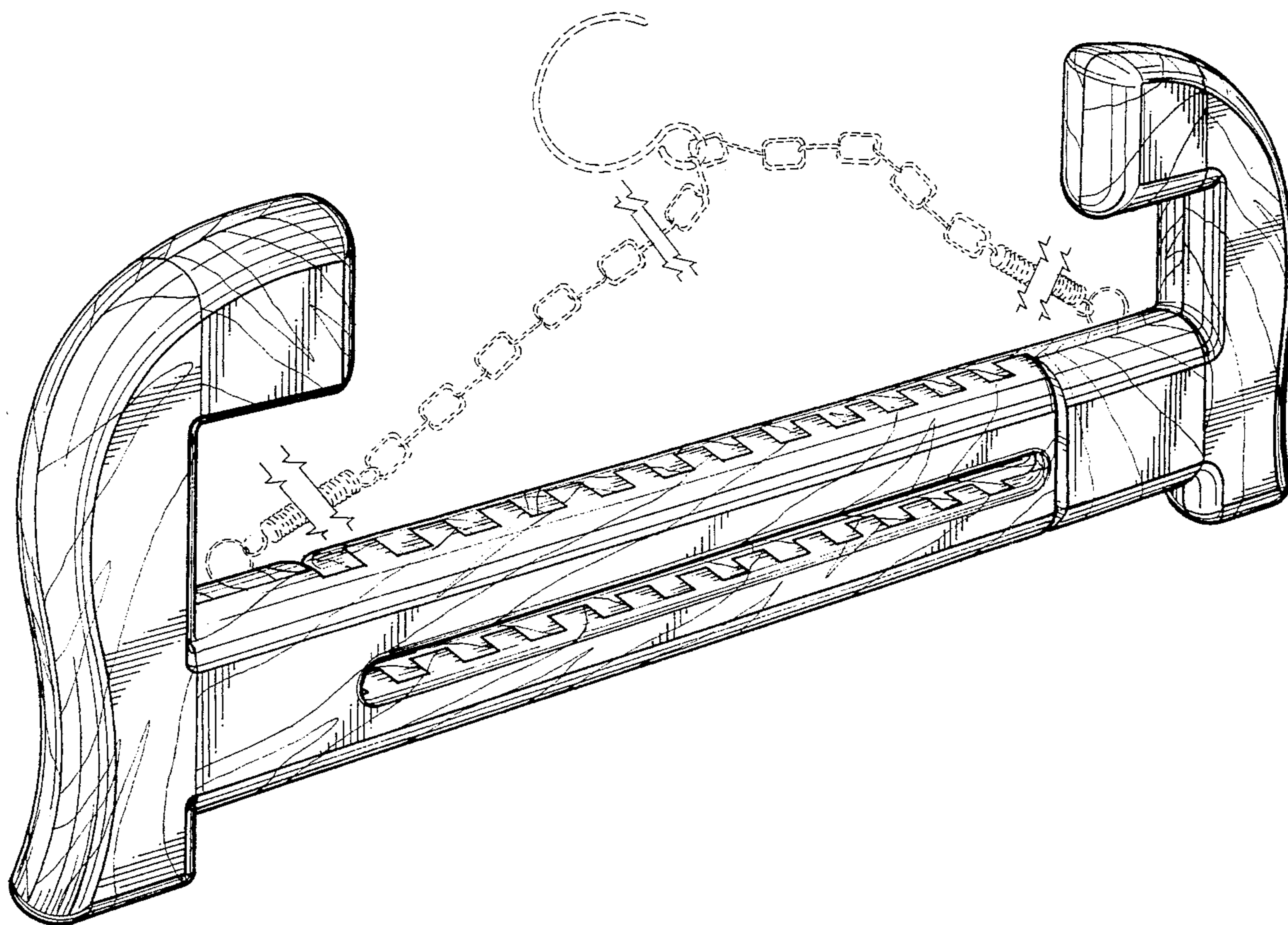
[56] **References Cited**

U.S. PATENT DOCUMENTS

D. 134,980	2/1943	Benner	D6/319
D. 326,565	6/1992	Mohn	D6/319
D. 356,894	4/1995	Anderson	D6/319
964,172	7/1910	Littig	D6/319 X
1,836,942	12/1931	Sumi	.	
2,420,116	5/1947	Walters	.	
3,031,114	4/1962	Liffner	.	
3,645,426	2/1972	Glascock et al.	.	
5,022,571	6/1991	Blanchard	.	
5,040,707	8/1991	Ayano et al.	223/88 X
5,044,535	9/1991	Hunt	.	
5,074,446	12/1991	Suddath	.	

FIG. 1 is a perspective view of a kilt and coat hanger showing my new design;
 FIG. 2 is a front elevational view thereof, the rear being a mirror image;
 FIG. 3 is a top plan view thereof;
 FIG. 4 is a right side elevational view thereof, the left side being a mirror image thereof; and,
 FIG. 5 is a bottom plan view thereof.
 The broken line showing of springs, chain, and hook is for illustrative purposes only and forms no part of the claimed design.

1 Claim, 3 Drawing Sheets



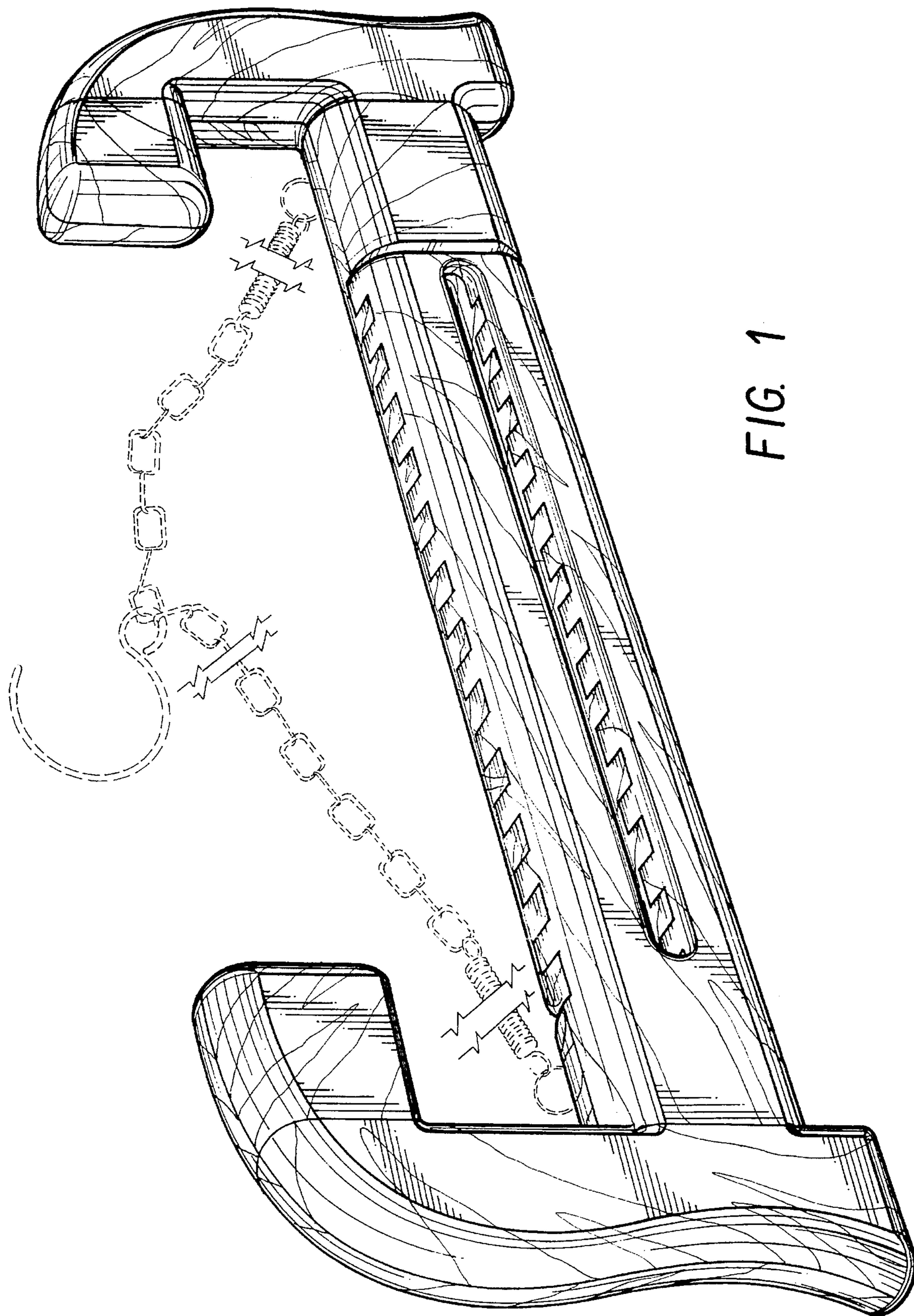


FIG. 1

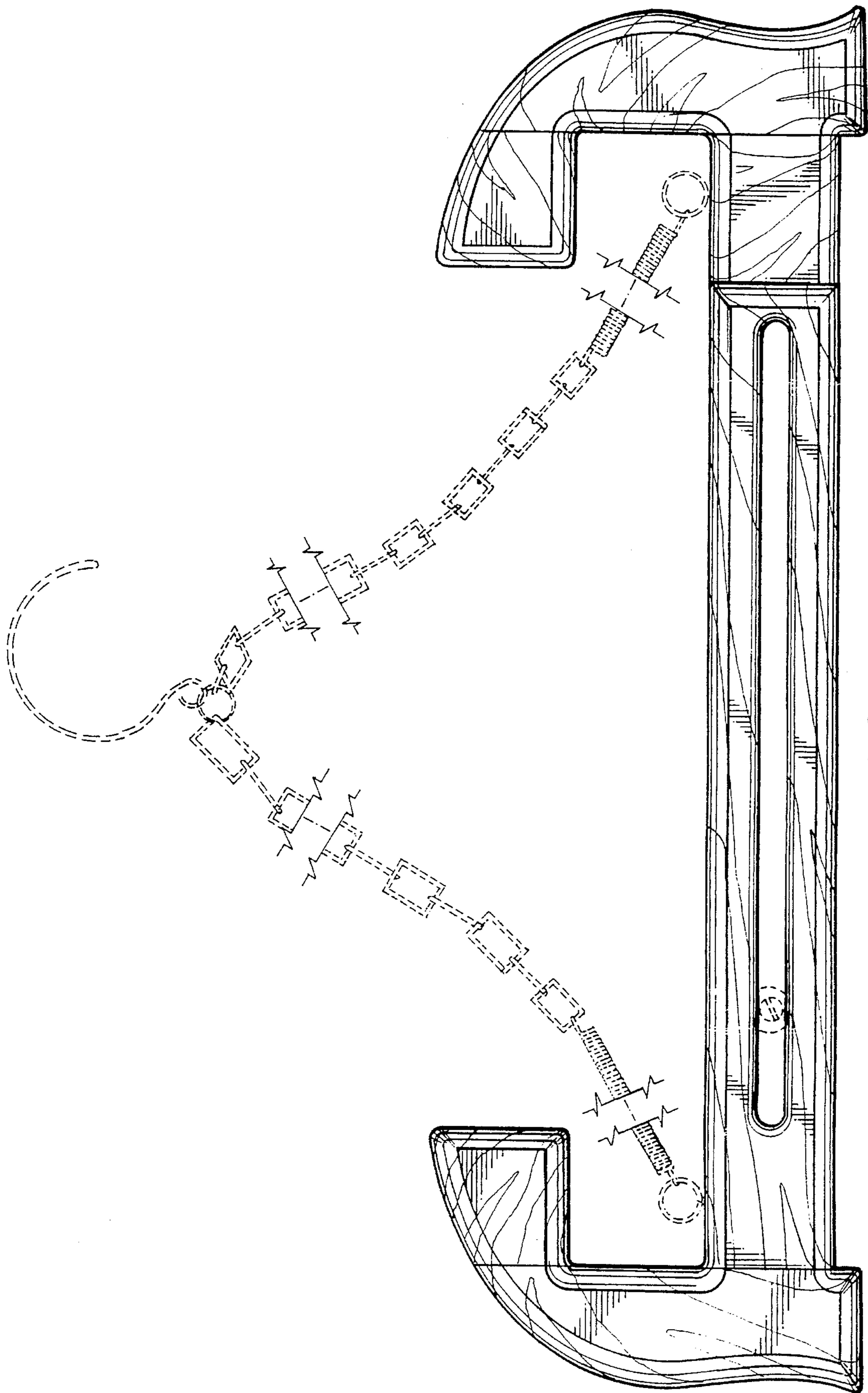


FIG. 2

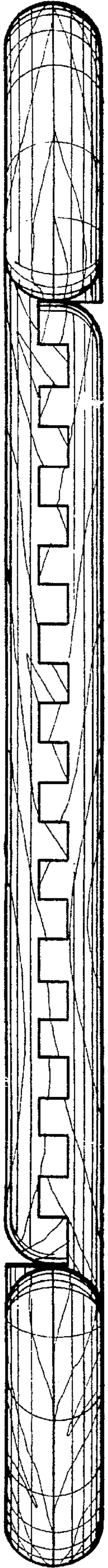


FIG. 3

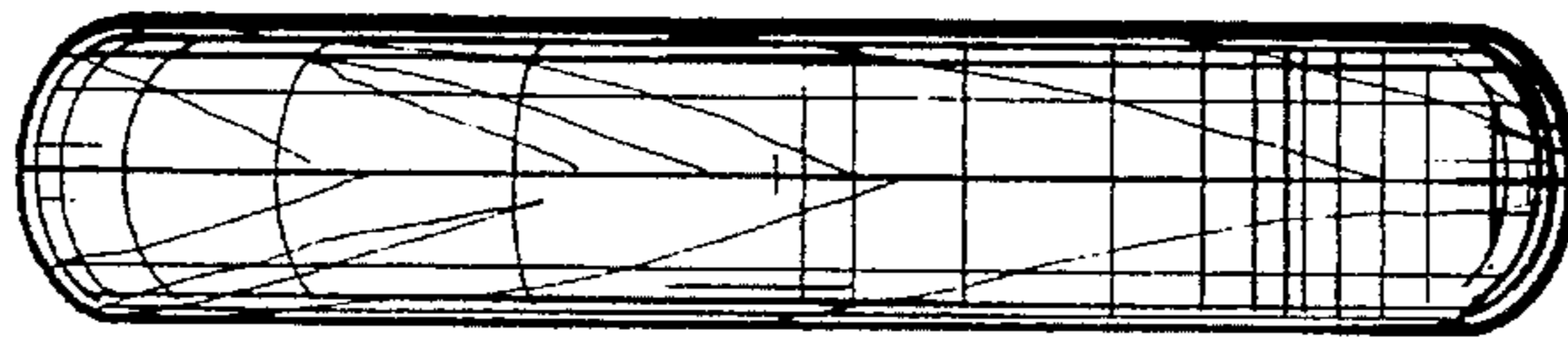


FIG. 4

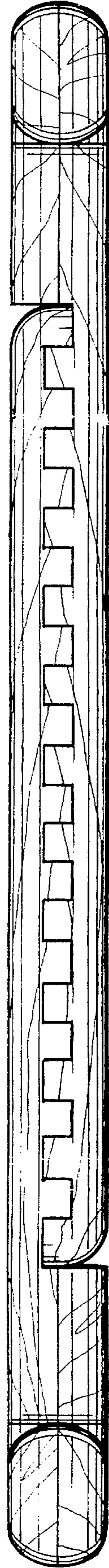


FIG. 5