



US00D371449S

**United States Patent** [19]  
**Huang**

[11] **Patent Number:** **Des. 371,449**  
[45] **Date of Patent:** **\*\*Jul. 2, 1996**

[54] **LAMP**

[76] **Inventor:** **Thomas M. Huang**, 5649 N. Peck Rd.,  
Arcadia, Calif. 91006

[\*\*] **Term:** **14 Years**

[21] **Appl. No.:** **37,448**

[22] **Filed:** **Apr. 12, 1995**

[52] **U.S. Cl.** ..... **D26/65; D26/102**

[58] **Field of Search** ..... **D26/60-66, 102-112,**  
**D26/93; 362/12, 18, 418, 419, 427, 269,**  
**431, 410-414**

[56] **References Cited**

**U.S. PATENT DOCUMENTS**

D. 105,588	8/1937	Korengold	.....	D26/65
D. 347,904	6/1994	Swanson	.....	D26/102
4,726,552	2/1988	Warshawsky	.....	362/427

*Primary Examiner*—Kay H. Chin  
*Attorney, Agent, or Firm*—Danton K. Mak; Sheldon & Mak,  
Inc.

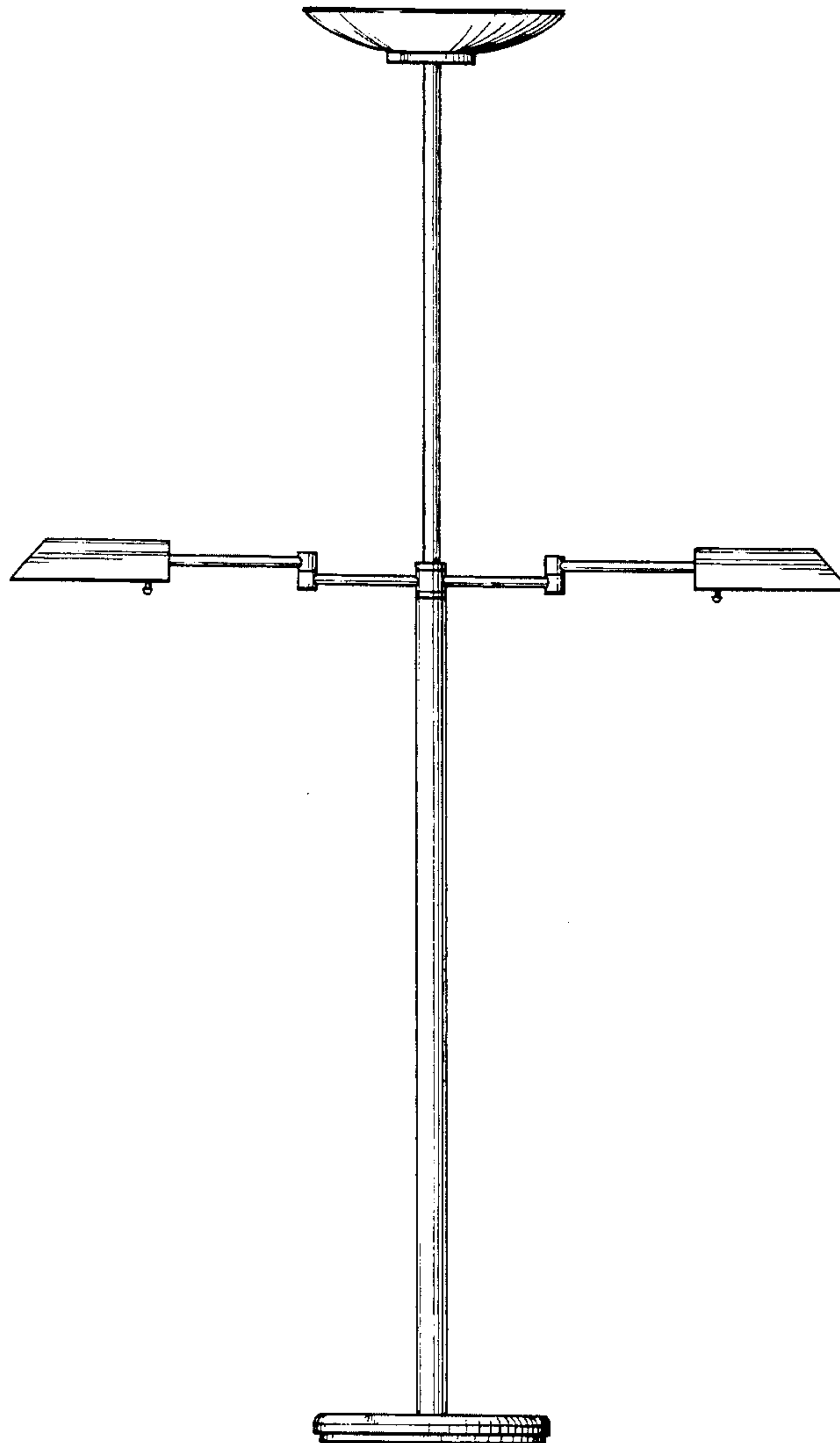
[57] **CLAIM**

The ornamental design for a lamp, as shown and described.

**DESCRIPTION**

FIG. 1 is a front elevational view of a lamp of my invention;  
FIG. 2 is the rear elevational view thereof, showing the  
swing arms fully extended;  
FIG. 3 is the right side view thereof;  
FIG. 4 is the top plan view thereof;  
FIG. 5 is the bottom view thereof;  
FIG. 6 is the front perspective view of the lamp; showing the  
swing arms partly extended, and the lamp shades at an angle  
to the swing arms;  
FIG. 7 is a front elevational view of a second embodiment  
of the lamp, the top and bottom views are the same as the  
first embodiment;  
FIG. 8 is a front elevational view of a third embodiment of  
the lamp, the top and bottom views are the same as the first  
embodiment; and,  
FIG. 9 is a front elevational view of a fourth embodiment of  
the lamp, the top and bottom views are the same as the first  
embodiment.

**1 Claim, 7 Drawing Sheets**



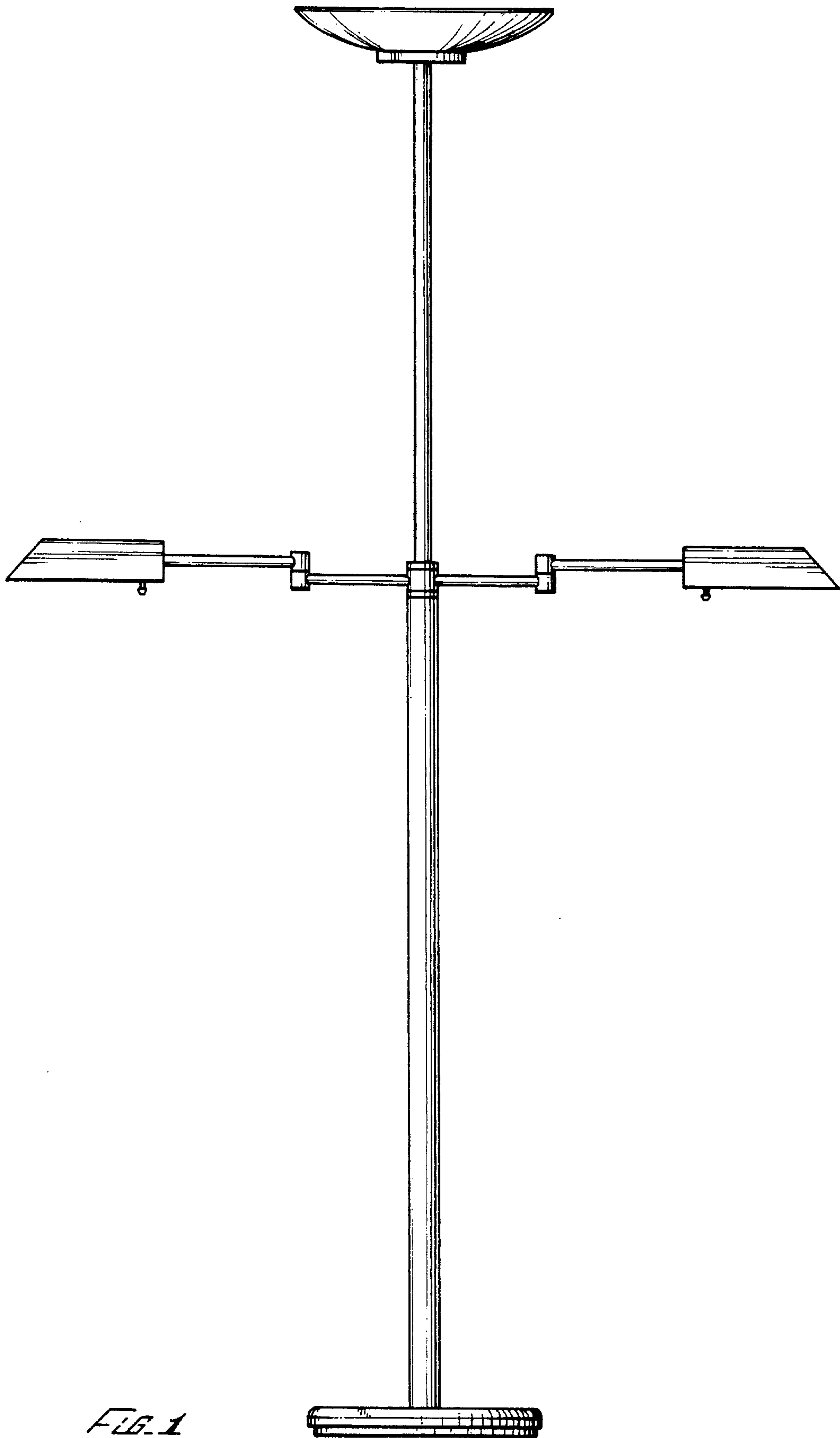
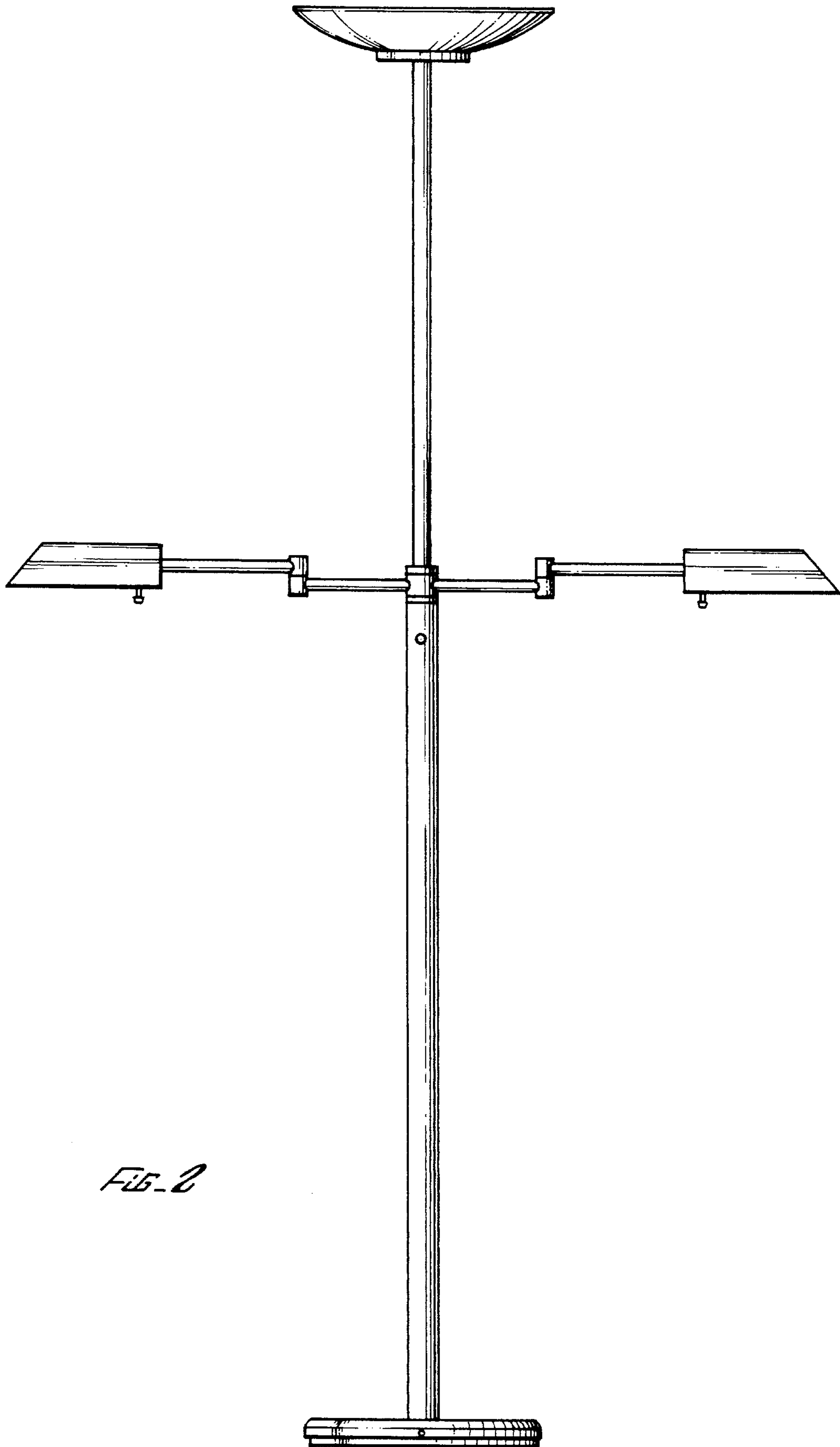


FIG. 1



*FIG. 2*

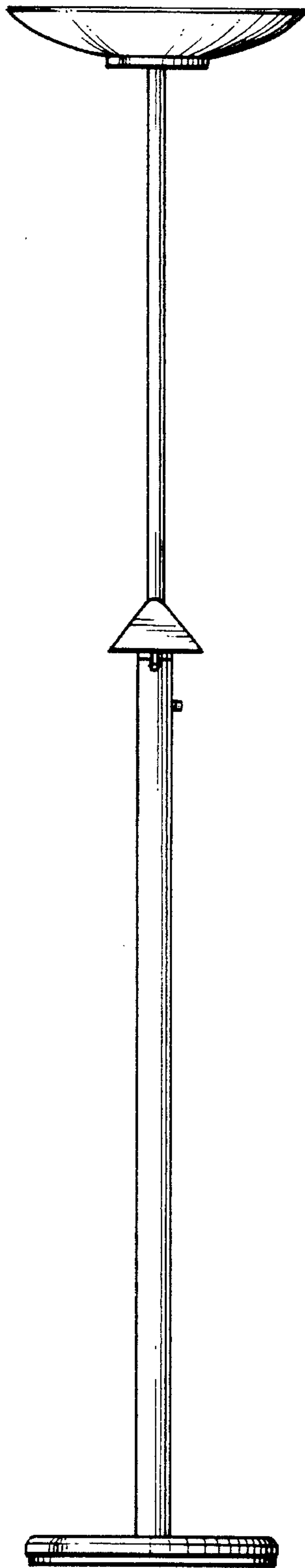


FIG. 3

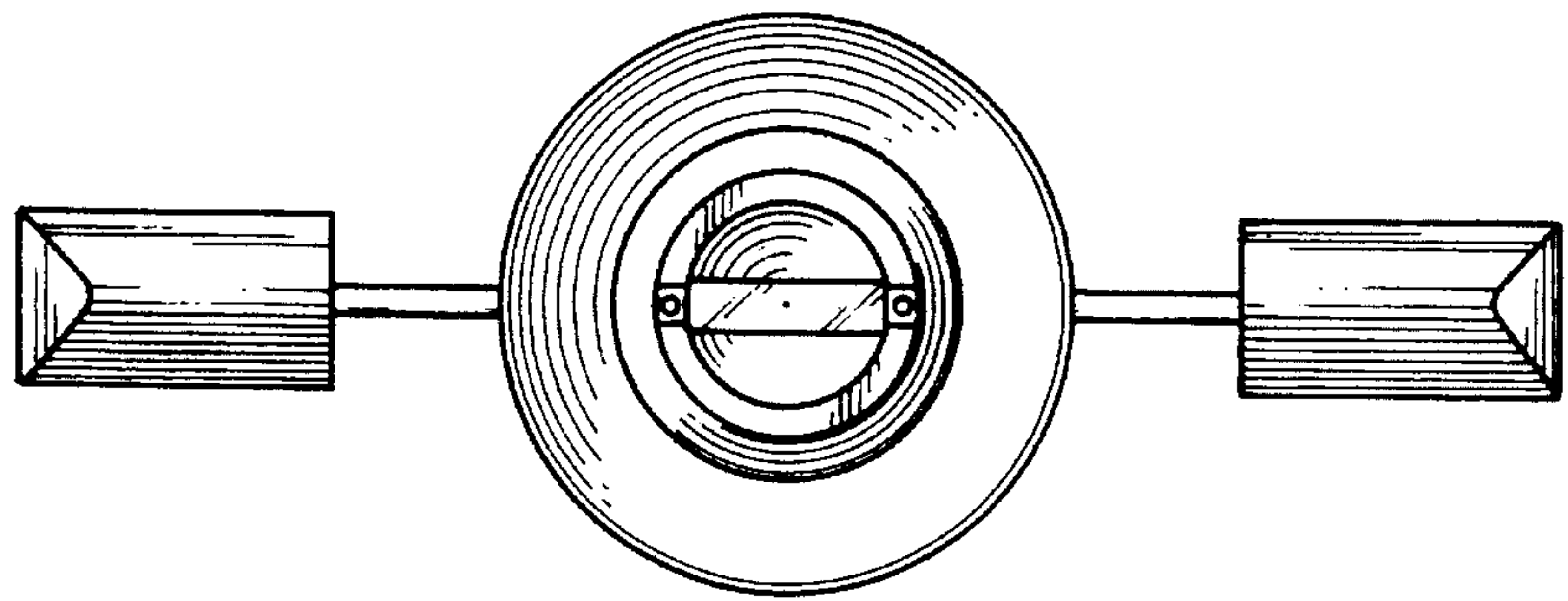


FIG. 4

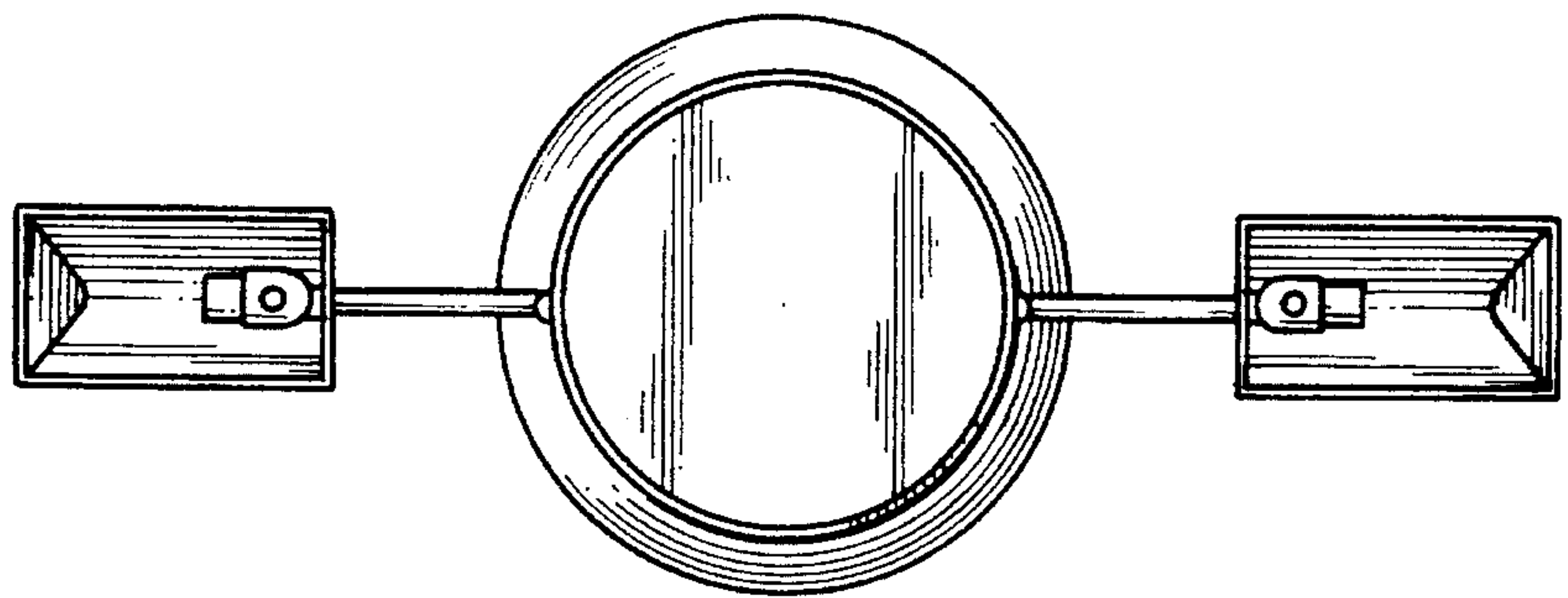
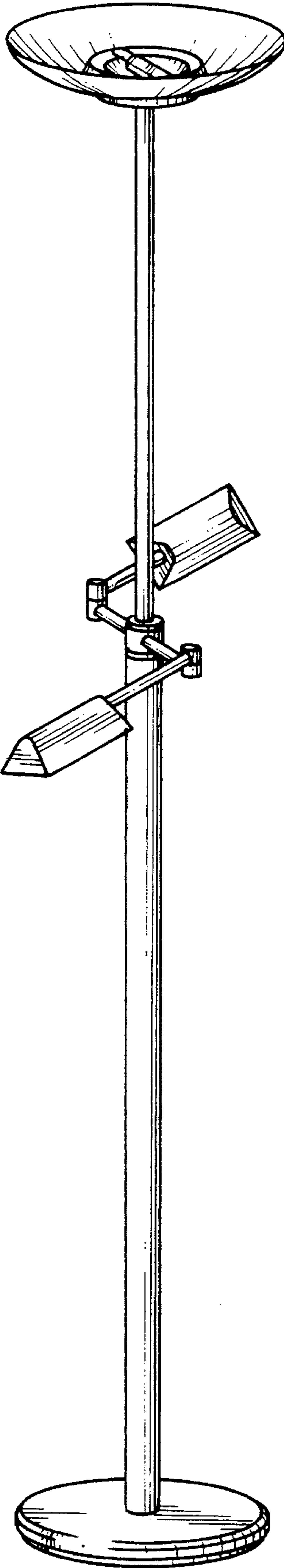
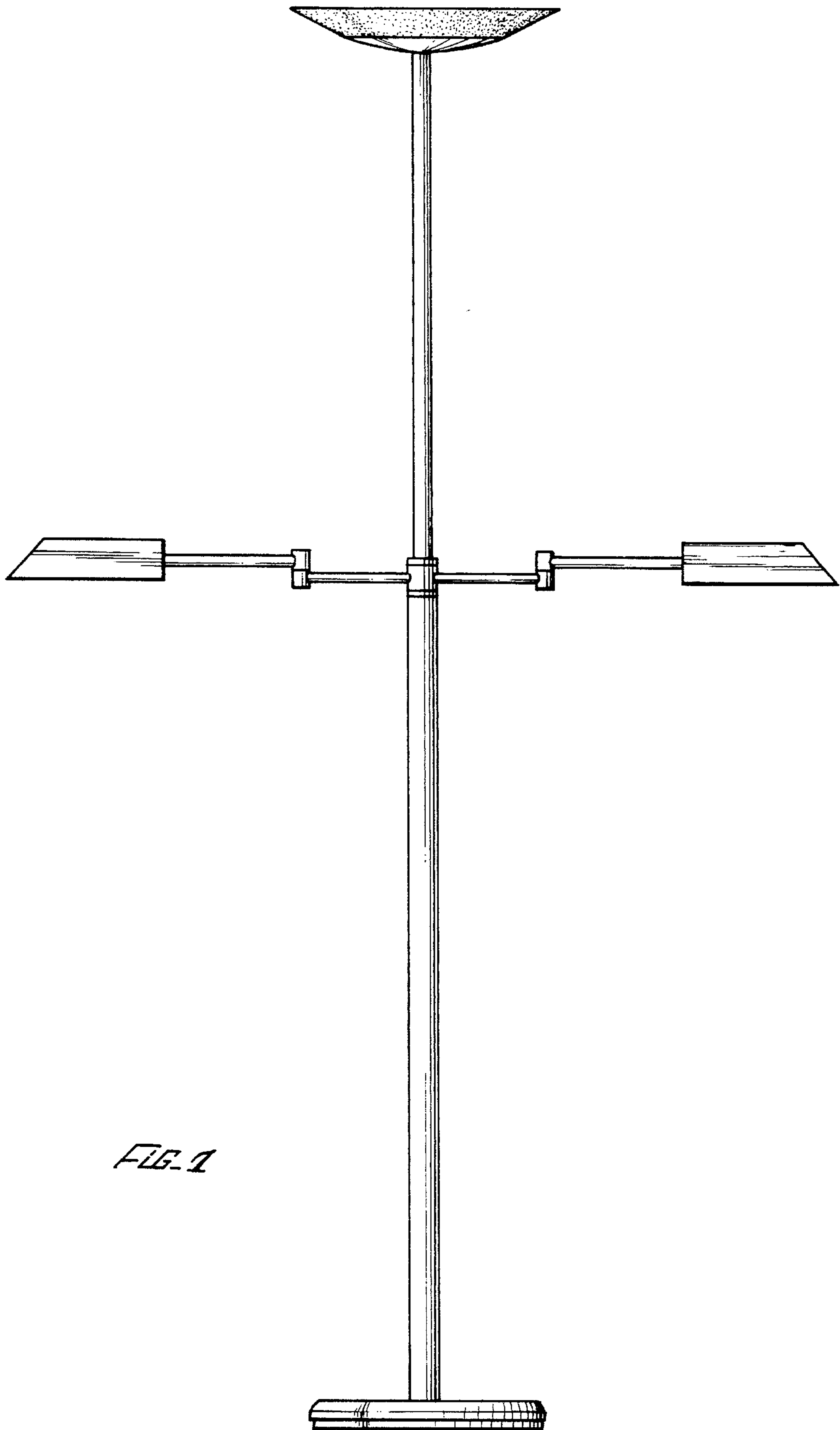


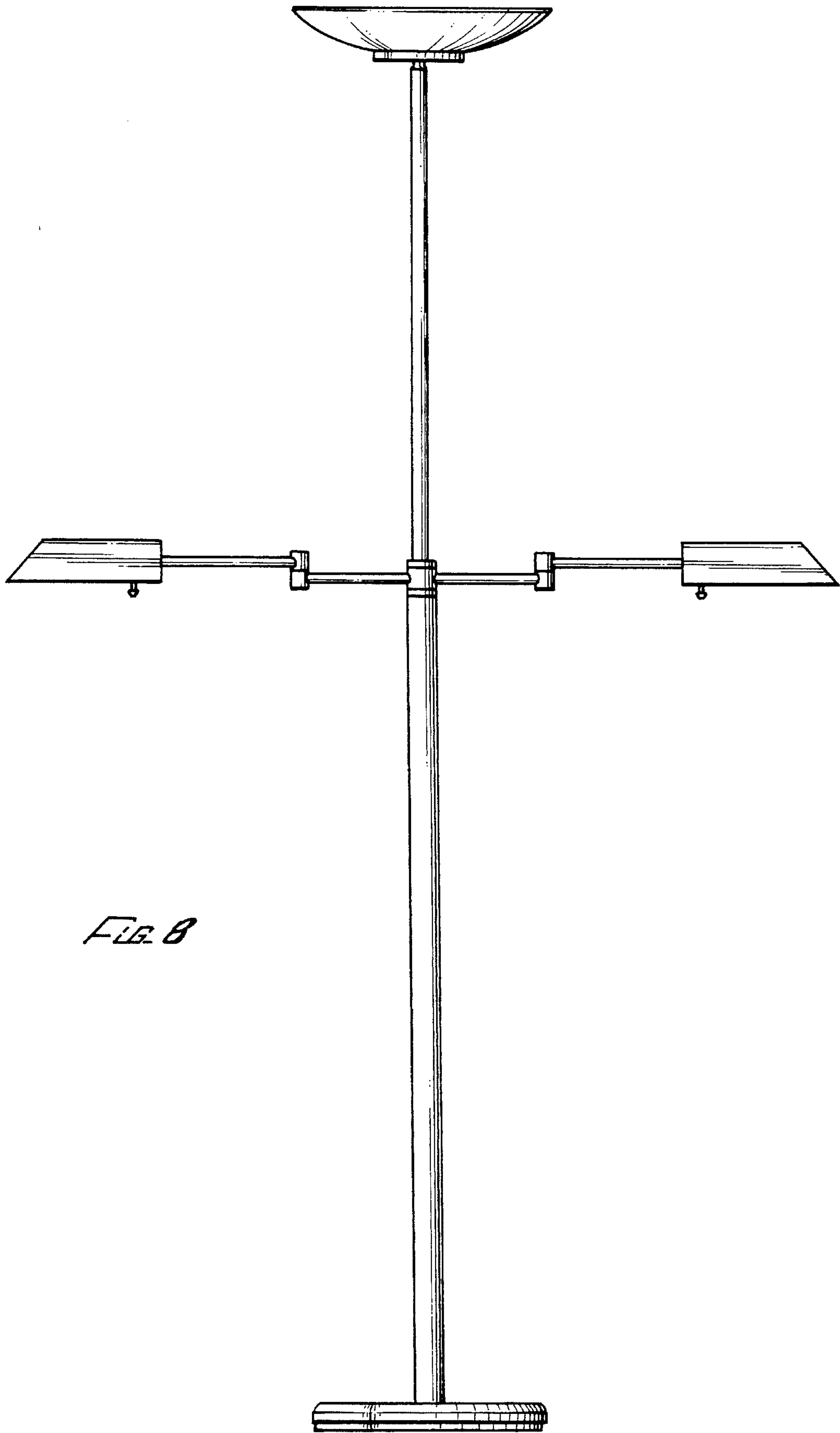
FIG. 5



*FIG. 6*



*FIG. 1*



*FIG. 8*

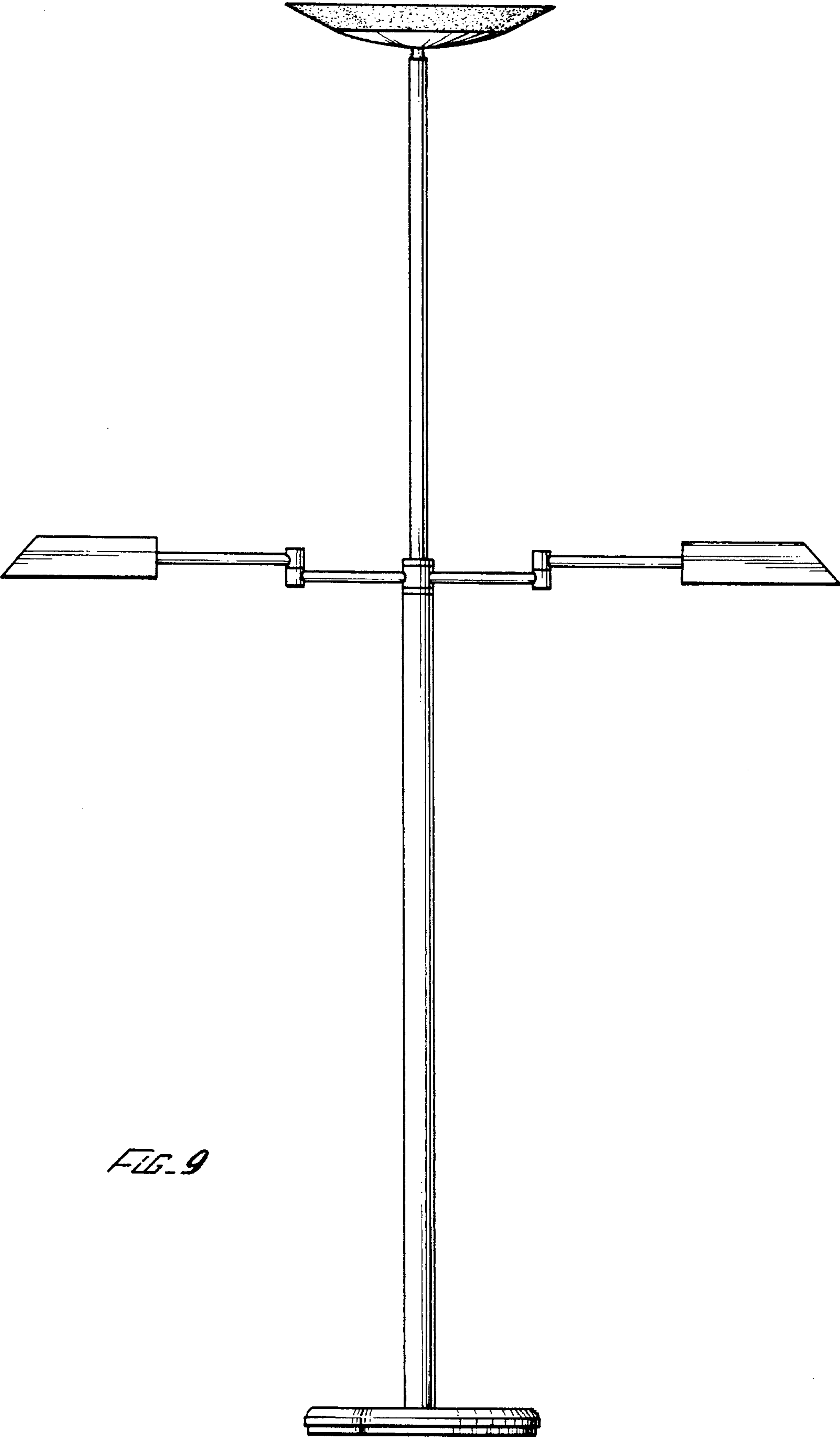


FIG. 9