



US00D371448S

United States Patent [19]
Santarsiero

[11] **Patent Number: Des. 371,448**

[45] **Date of Patent: **Jul. 2, 1996**

[54] **HEAD FOR A FLASHLIGHT**

671733 2/1986 Japan D26/43
671734 2/1986 Japan D26/43

[75] Inventor: **Paul S. Santarsiero**, Avon, Conn.

[73] Assignee: **Black & Decker Inc.**, Newark, Del.

[**] Term: **14 Years**

Primary Examiner—A. Hugo Word
Assistant Examiner—Lavone D. Tabor
Attorney, Agent, or Firm—Barry E. Deutsch

[21] Appl. No.: **37,615**

[22] Filed: **Apr. 17, 1995**

[52] **U.S. Cl.** **D26/43**

[58] **Field of Search** D26/37, 43, 44,
D26/46, 49, 60, 62; 362/157, 158, 184,
188, 189, 191, 198, 199, 200, 202, 362,
396

[57] **CLAIM**

The ornamental design for a head for a flashlight, as shown and described.

DESCRIPTION

FIG. 1 is a perspective view taken from the front, top and right side of a head for a flashlight illustrating my new design, the portion shown in phantom is illustrative of a flexible core to which my new design may be attached;

FIG. 2 is a right side elevational view thereof;

FIG. 3 is a left side elevational view thereof;

FIG. 4 is a front elevational view thereof;

FIG. 5 is a rear elevational view thereof;

FIG. 6 is a top plan view thereof; and,

FIG. 7 is a bottom plan view thereof.

The broken lines are for illustrative purposes only and form no part of the claimed design.

[56] **References Cited**

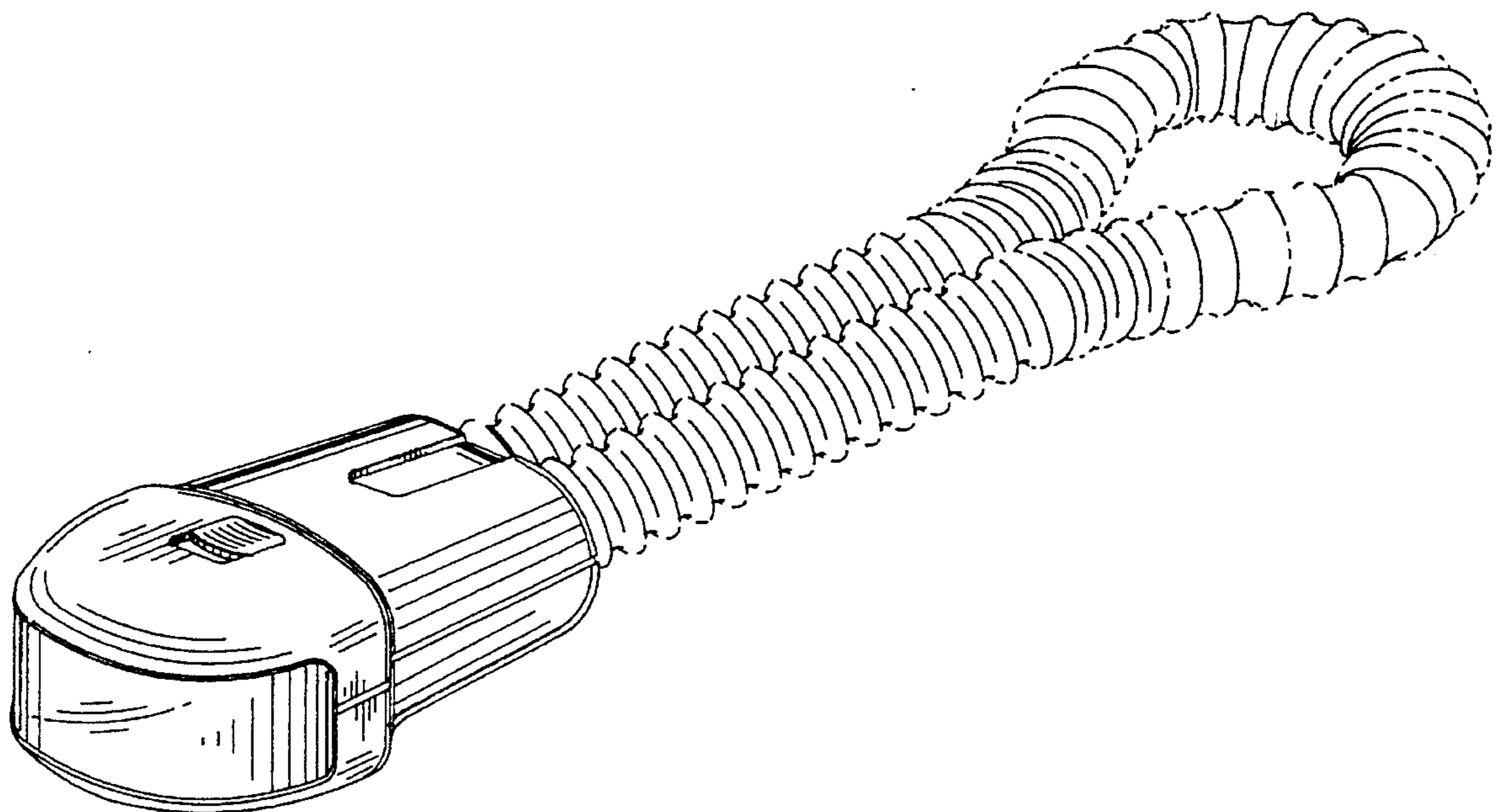
U.S. PATENT DOCUMENTS

- D. 147,258 8/1947 Becker D26/43
- D. 166,073 3/1952 Dunkelberger D26/43
- D. 314,246 1/1991 Bache D26/62
- D. 328,146 7/1992 Sinsteden D26/49
- 3,111,277 11/1963 Grimsley D26/43 X

FOREIGN PATENT DOCUMENTS

- 604541 7/1983 Japan D26/43

1 Claim, 3 Drawing Sheets



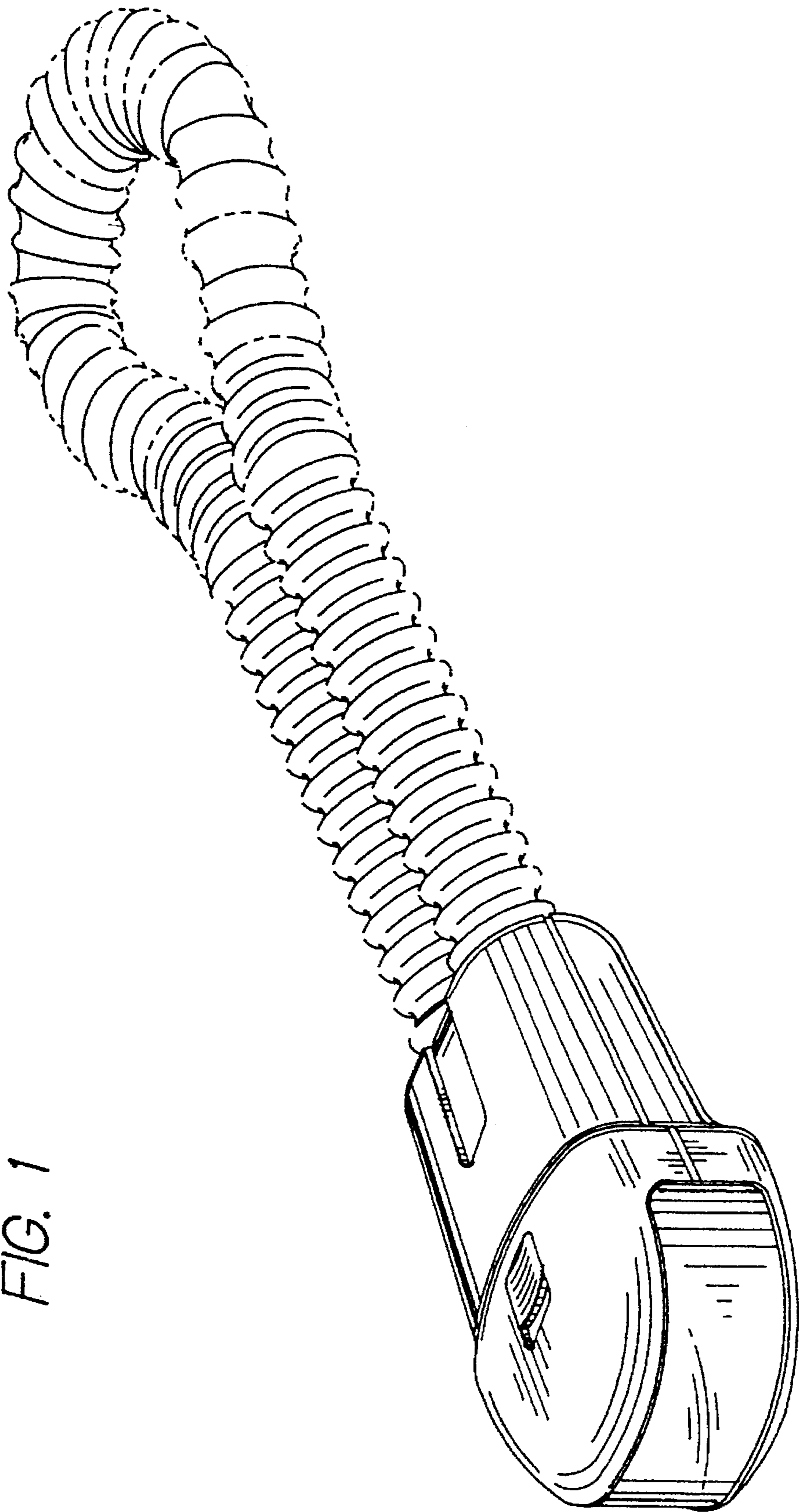


FIG. 1

FIG. 2

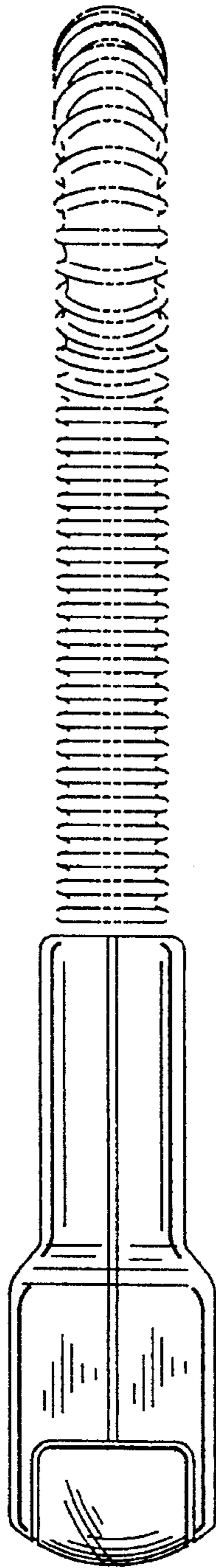


FIG. 3

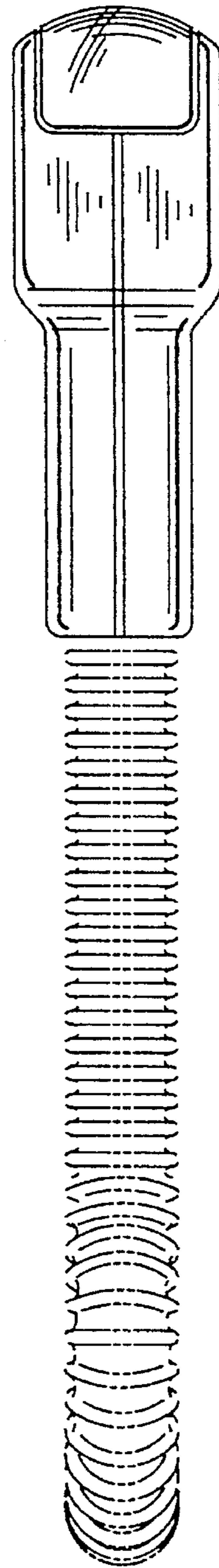


FIG. 4

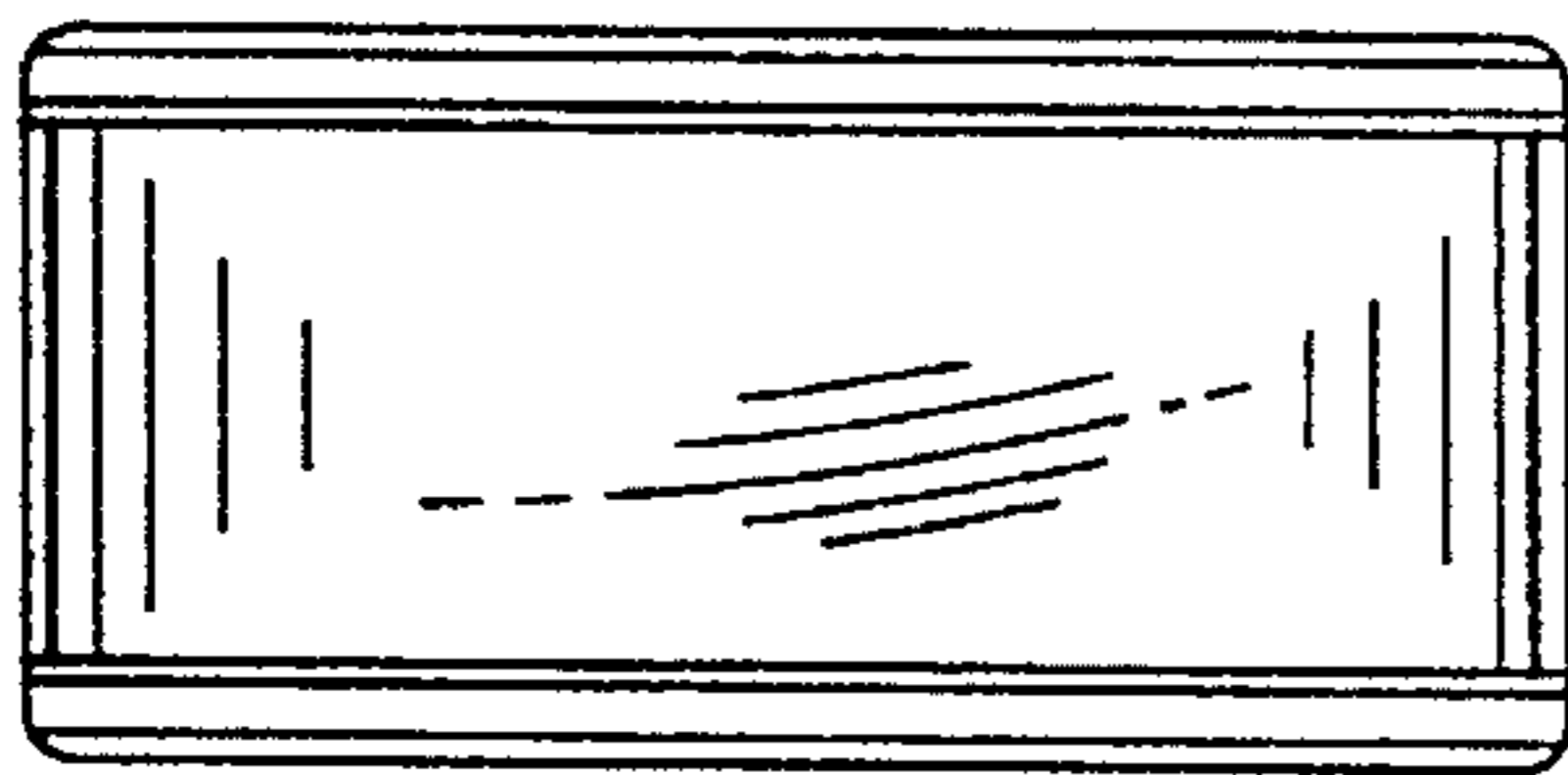
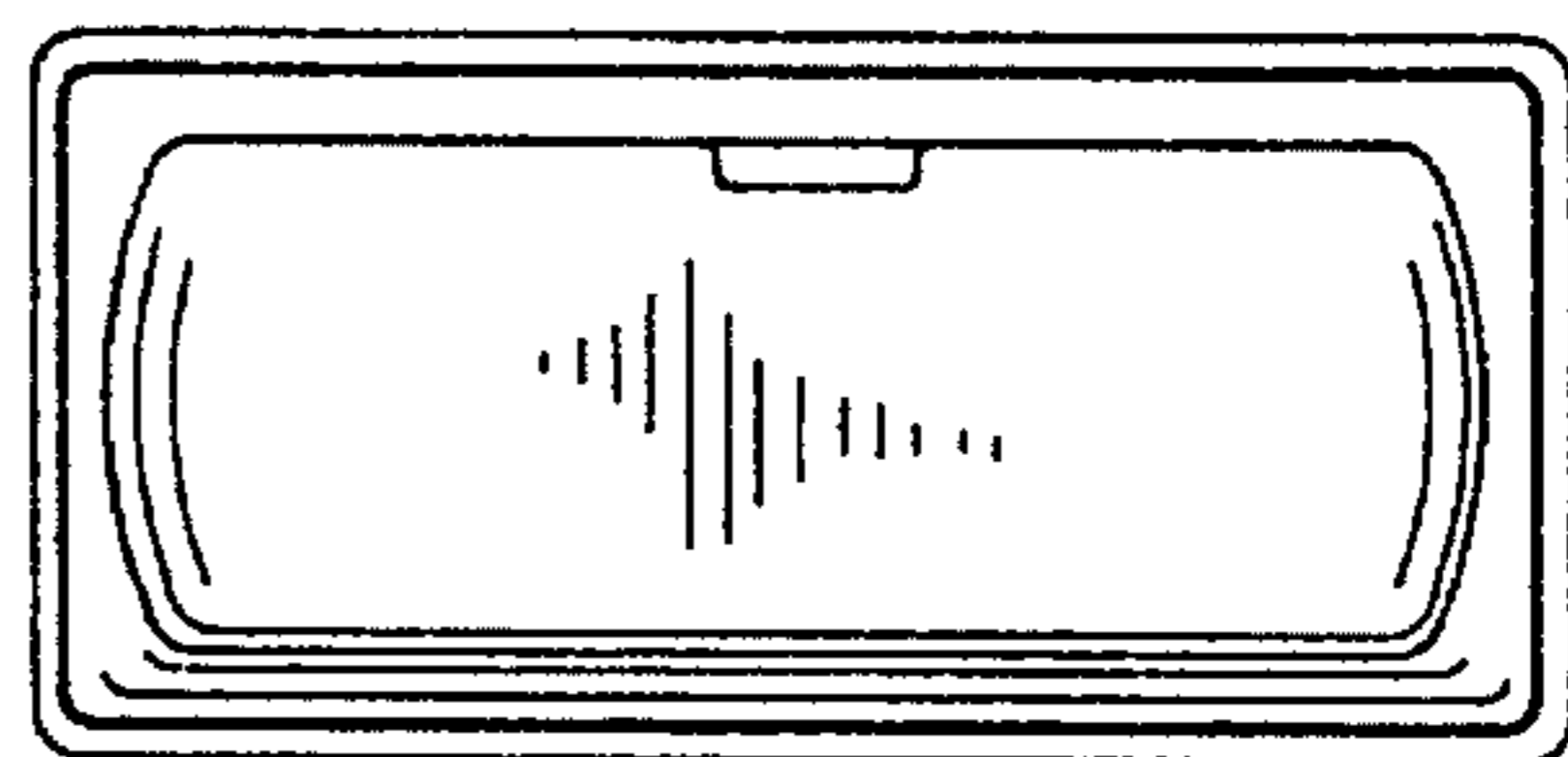


FIG. 5



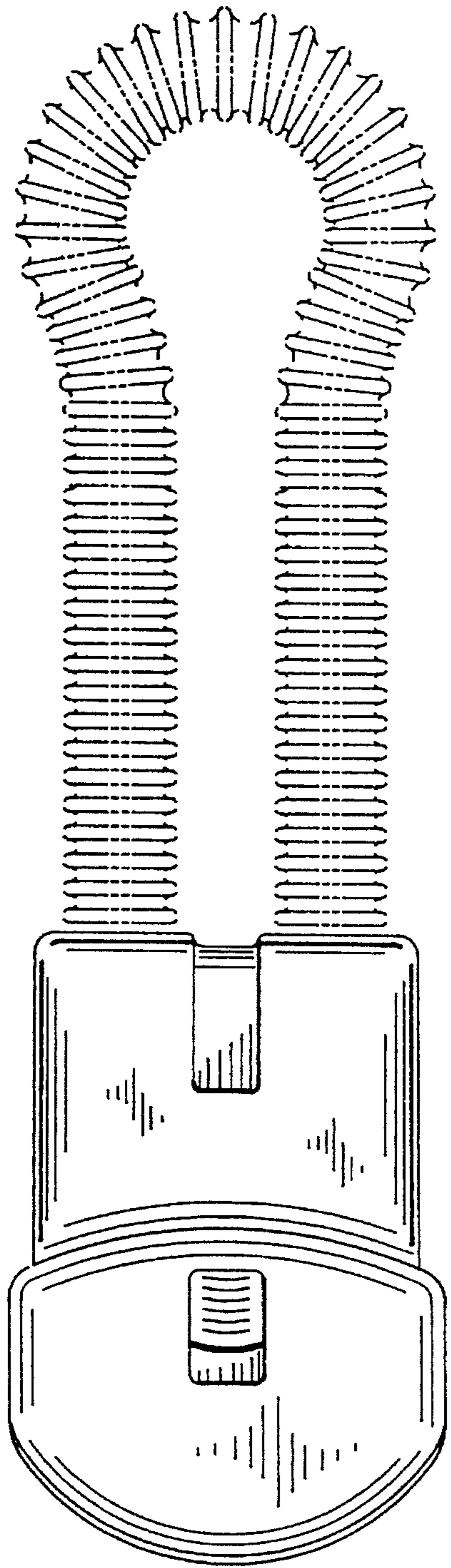


FIG. 6

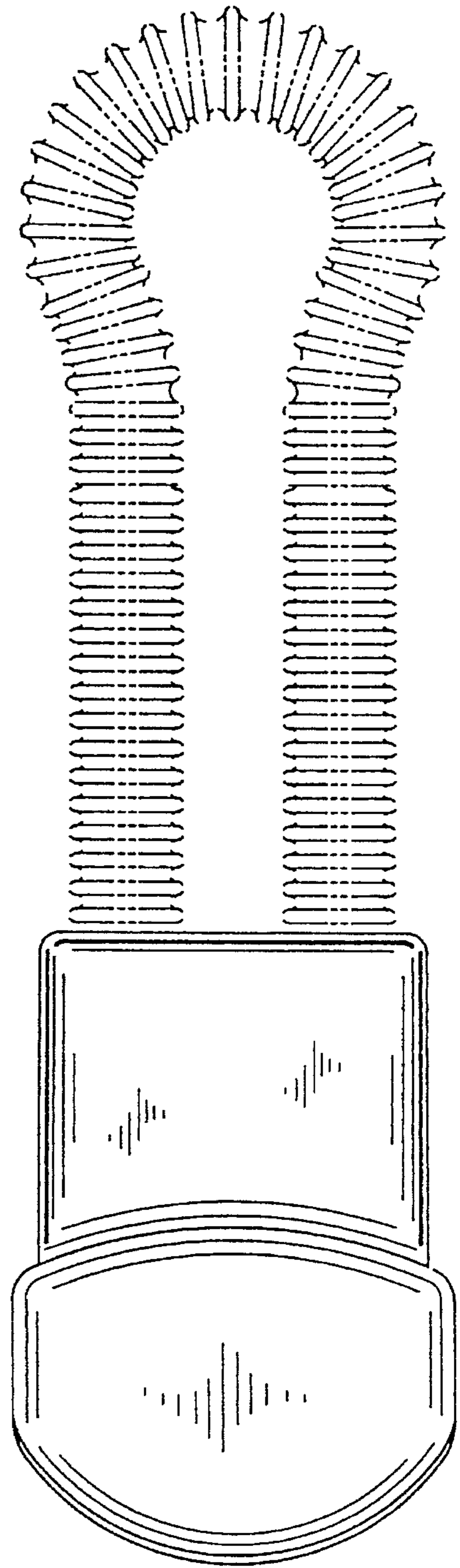


FIG. 7