



US00D371446S

United States Patent [19]

VanDeusen

[11] Patent Number: **Des. 371,446**

[45] Date of Patent: ****Jul. 2, 1996**

[54] **PLAYGROUND SURFACING BORDER PANEL**

[75] Inventor: **Gary VanDeusen**, Hillsdale, Mich.

[73] Assignee: **The Shane Group, Inc.**, Hillsdale, Mich.

[**] Term: **14 Years**

[21] Appl. No.: **36,316**

[22] Filed: **Mar. 17, 1995**

[52] U.S. Cl. **D25/113; D25/138; D25/164**

[58] Field of Search **D25/164, 113, D25/138; D8/1; 47/33; 52/102, 233**

[56] **References Cited**

U.S. PATENT DOCUMENTS

D. 223,585	5/1972	Adelman	D25/113
D. 346,726	5/1994	Scott, Jr. et al.	D8/1
3,343,301	9/1967	Adelman	47/33
5,119,587	6/1992	Waltz	52/102
5,168,678	12/1992	Scott, Jr. et al.	52/102
5,259,154	11/1993	Lilley	47/33

Primary Examiner—Doris Clark

Attorney, Agent, or Firm—Beaman & Beaman

[57] **CLAIM**

The ornamental design for a playground surfacing border panel, as shown and described.

DESCRIPTION

FIG. 1 is a perspective view of a first embodiment of a

playground surfacing border panel in accord with my new design;

FIG. 2 is a side elevational view of the first embodiment of FIG. 1, the opposite elevational side being the mirror image thereof;

FIG. 3 is a top plan view of the first embodiment of FIG. 2;

FIG. 4 is an end elevational view as taken from the left of FIG. 3;

FIG. 5 is an end elevational view as taken from the right end of FIG. 3;

FIG. 6 is a side elevational view of a second embodiment of my playground surfacing border panel;

FIG. 7 is a side elevational view of the opposite side of the second embodiment of FIG. 6;

FIG. 8 is a top plan view of the second embodiment of FIGS. 6 and 7;

FIG. 9 is an end view of the second embodiment of FIG. 8;

FIG. 10 is an end view of the second embodiment of FIG. 8; and,

FIG. 11 is a top plan view of third embodiment of my playground surfacing border panel design which is identical in appearance to the curved element of FIG. 8 except that the element is shorter and of a lesser radius, the side and elevational views of the embodiment of FIG. 11 being identical to the side and end views of the embodiment of FIGS. 6-10.

1 Claim, 2 Drawing Sheets

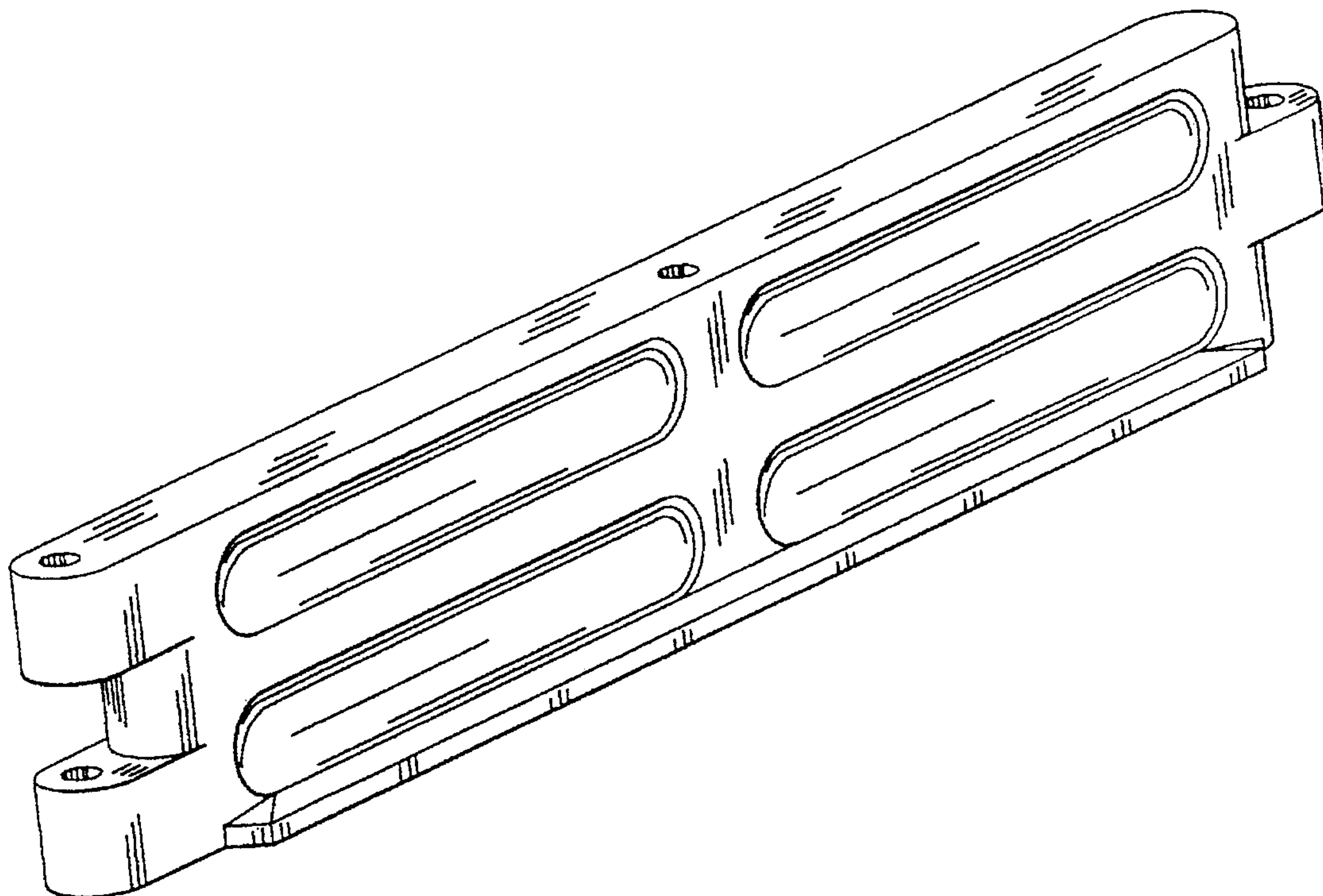


FIG. 1

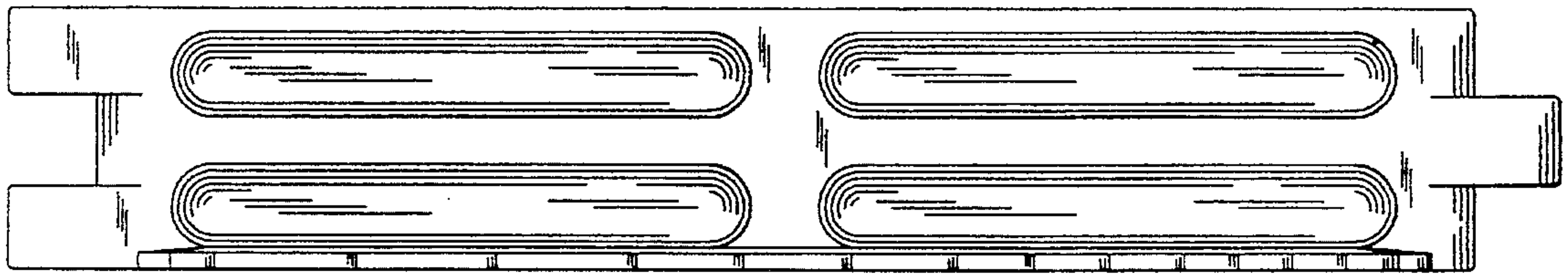
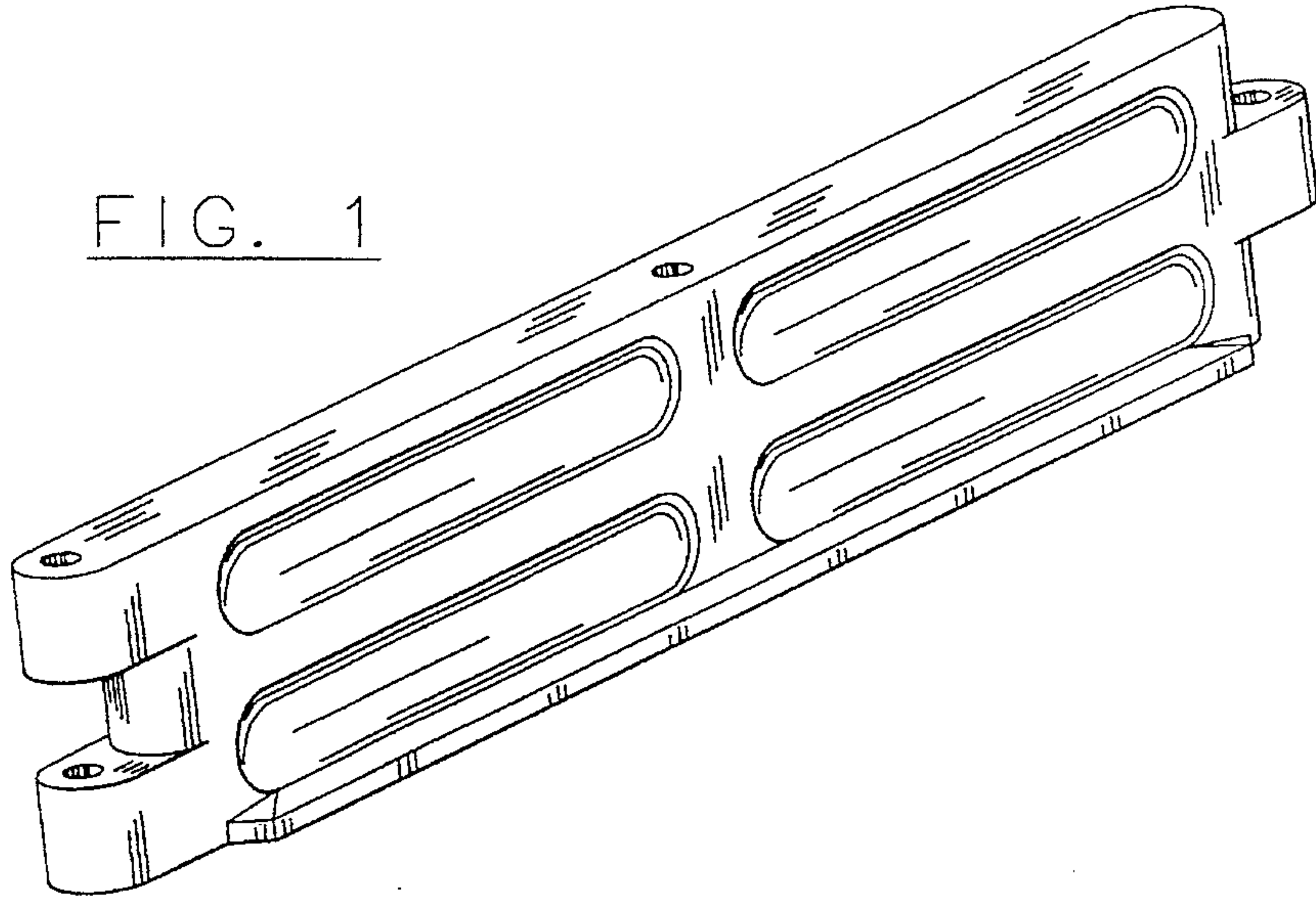


FIG. 2

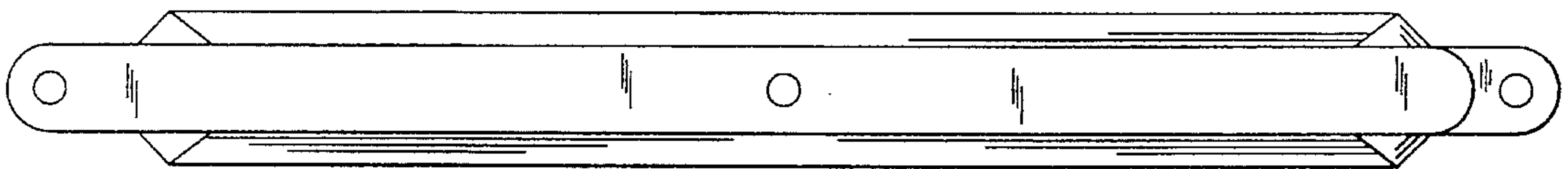


FIG. 3

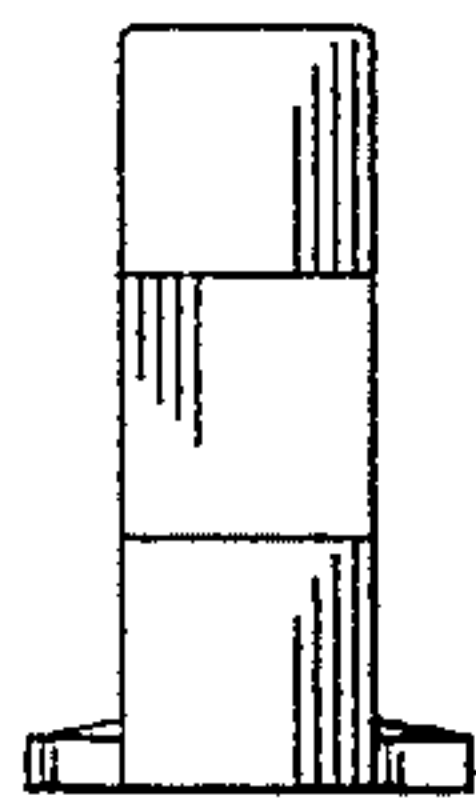


FIG. 4

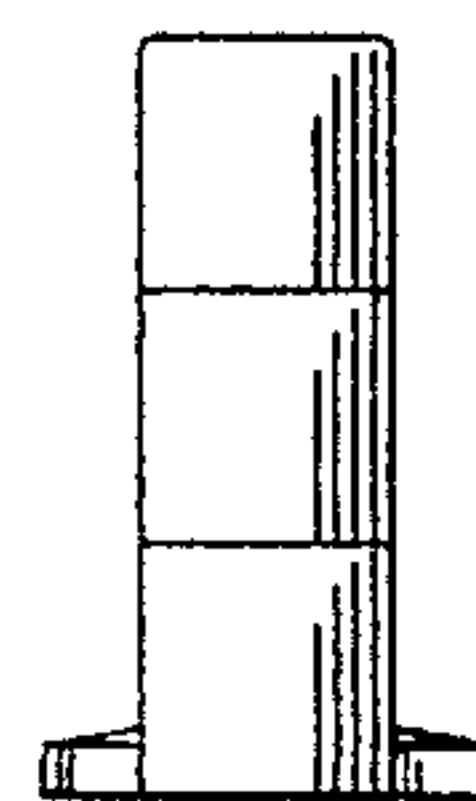


FIG. 5

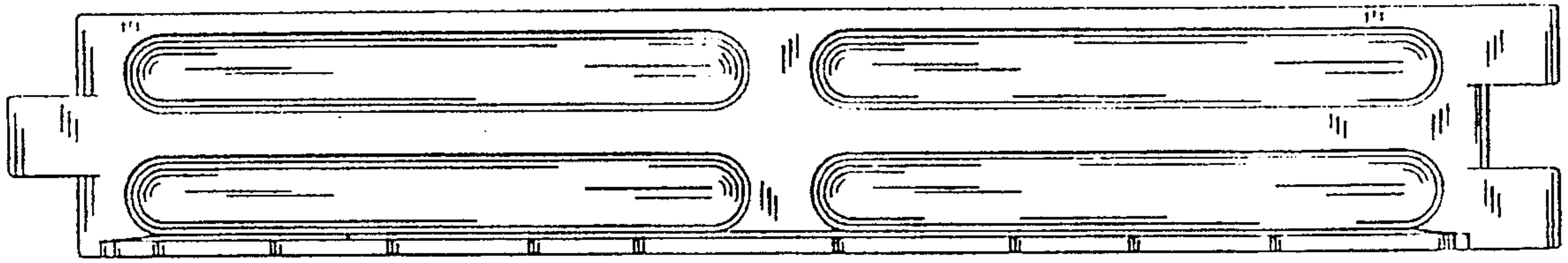


FIG. 6

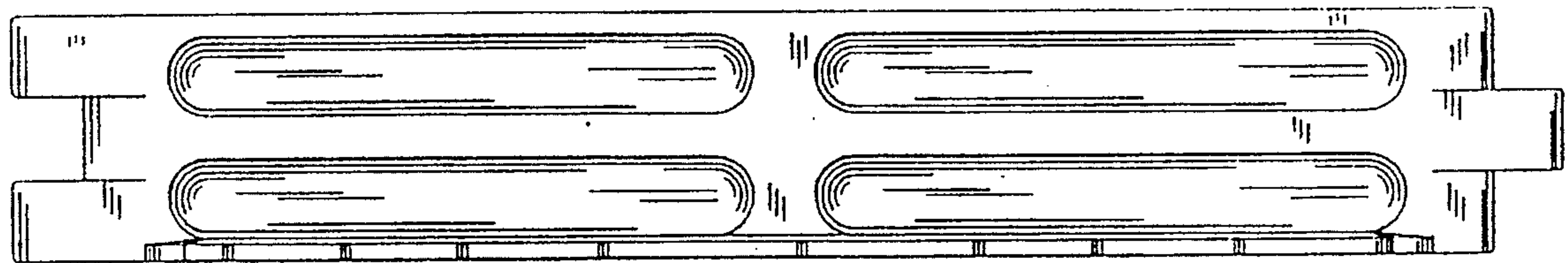


FIG. 7

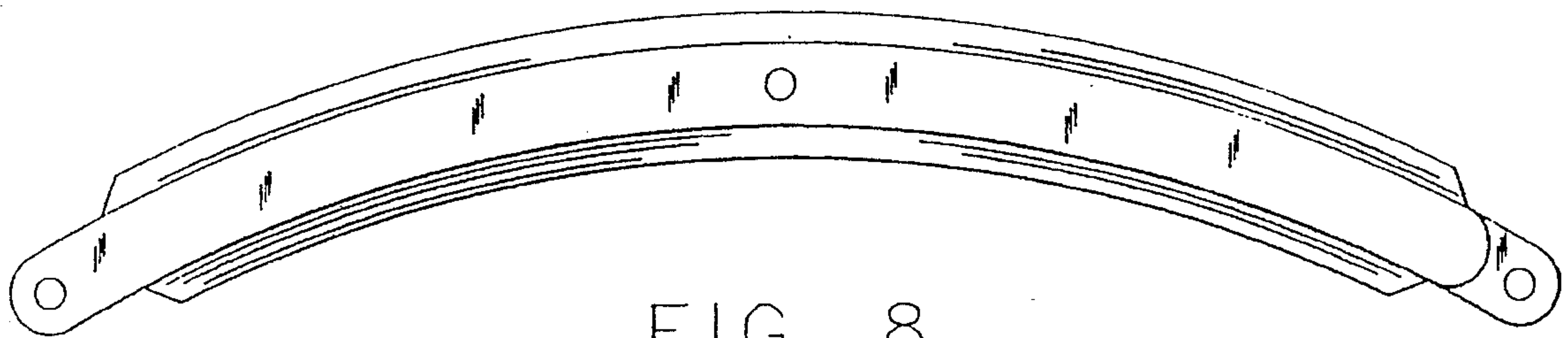


FIG. 8

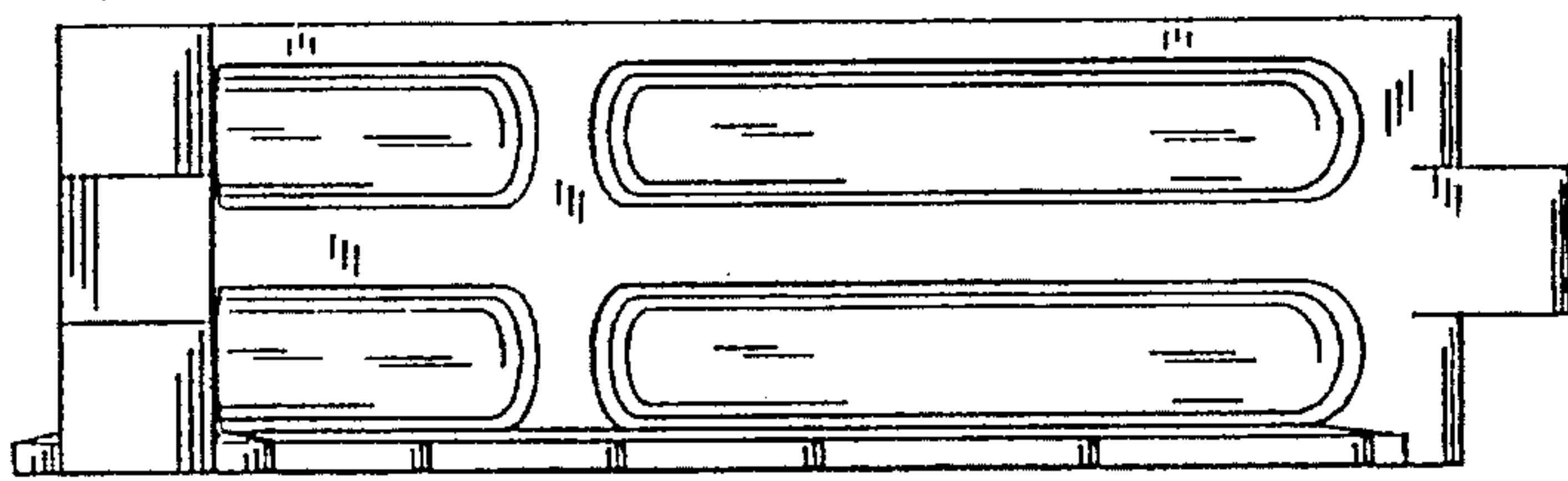


FIG. 9

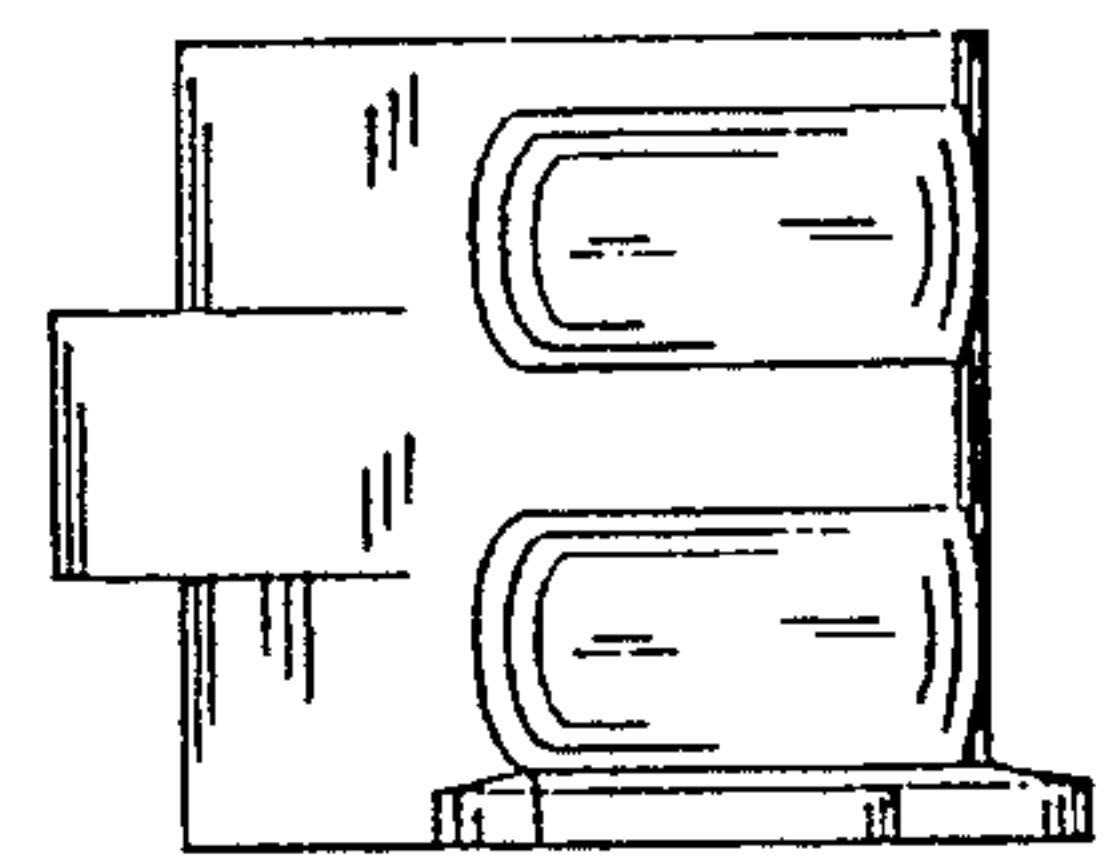


FIG. 10

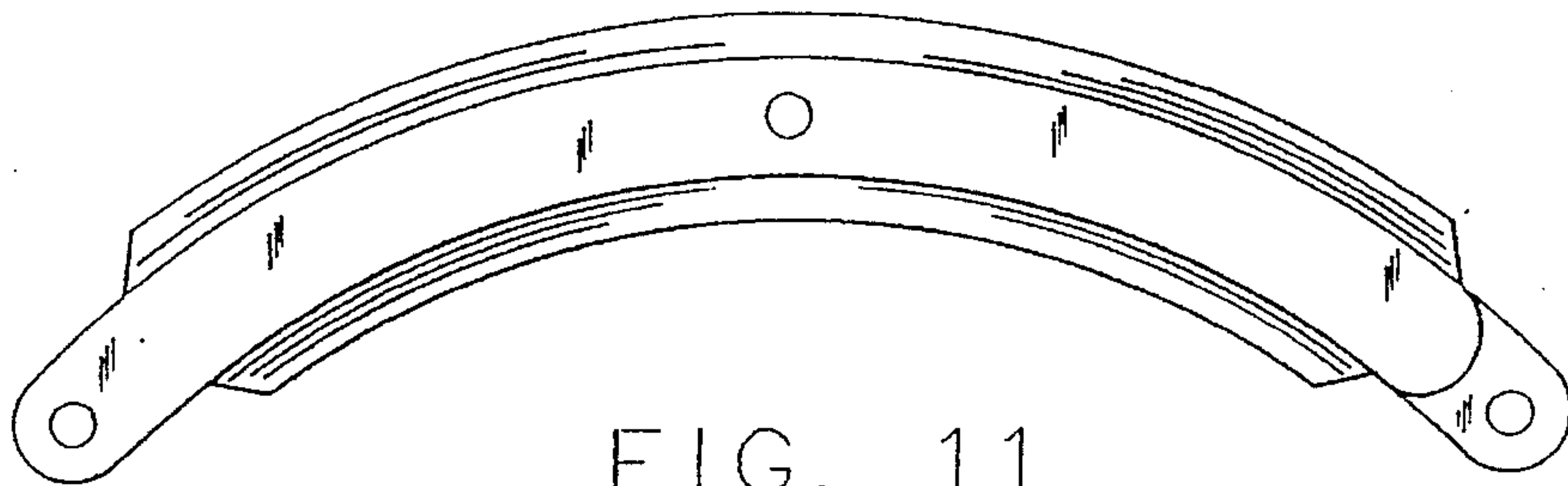


FIG. 11