



US00D371445S

United States Patent [19]
Schulz

[11] **Patent Number:** **Des. 371,445**
[45] **Date of Patent:** ****Jul. 2, 1996**

[54] **COLLAPSIBLE SCAFFOLDING**

Attorney, Agent, or Firm—Burns, Doane, Swecker & Mathis

[76] Inventor: **Richard Schulz**, 845 N. L St.,
Livermore, Calif. 94550

[57] **CLAIM**

[**] Term: **14 Years**

The ornamental design for a collapsible scaffolding, as shown and described.

[21] Appl. No.: **33,577**

DESCRIPTION

[22] Filed: **Jan. 17, 1995**

[52] U.S. Cl. **D25/67**

[58] Field of Search D25/62, 66, 67;
182/153, 155, 152, 181, 224

FIG. 1 is a perspective view of a collapsible scaffolding showing my new design with an extension located on top of the collapsible scaffolding the broken lines showing the extension are for illustrative purposes only and form no part of the claimed design;

[56] **References Cited**

U.S. PATENT DOCUMENTS

2,832,647	4/1958	Gerke	D25/67
3,110,360	11/1963	Deam	182/155
3,128,842	4/1964	Satrom	182/152
5,086,875	2/1992	Shreve, III	182/152
5,101,932	4/1992	Trudgeon	182/224

FIG. 2 is a front elevational view of the collapsible scaffolding;

FIG. 3 is a top plan view thereof;

FIG. 4 is a right side elevational view thereof;

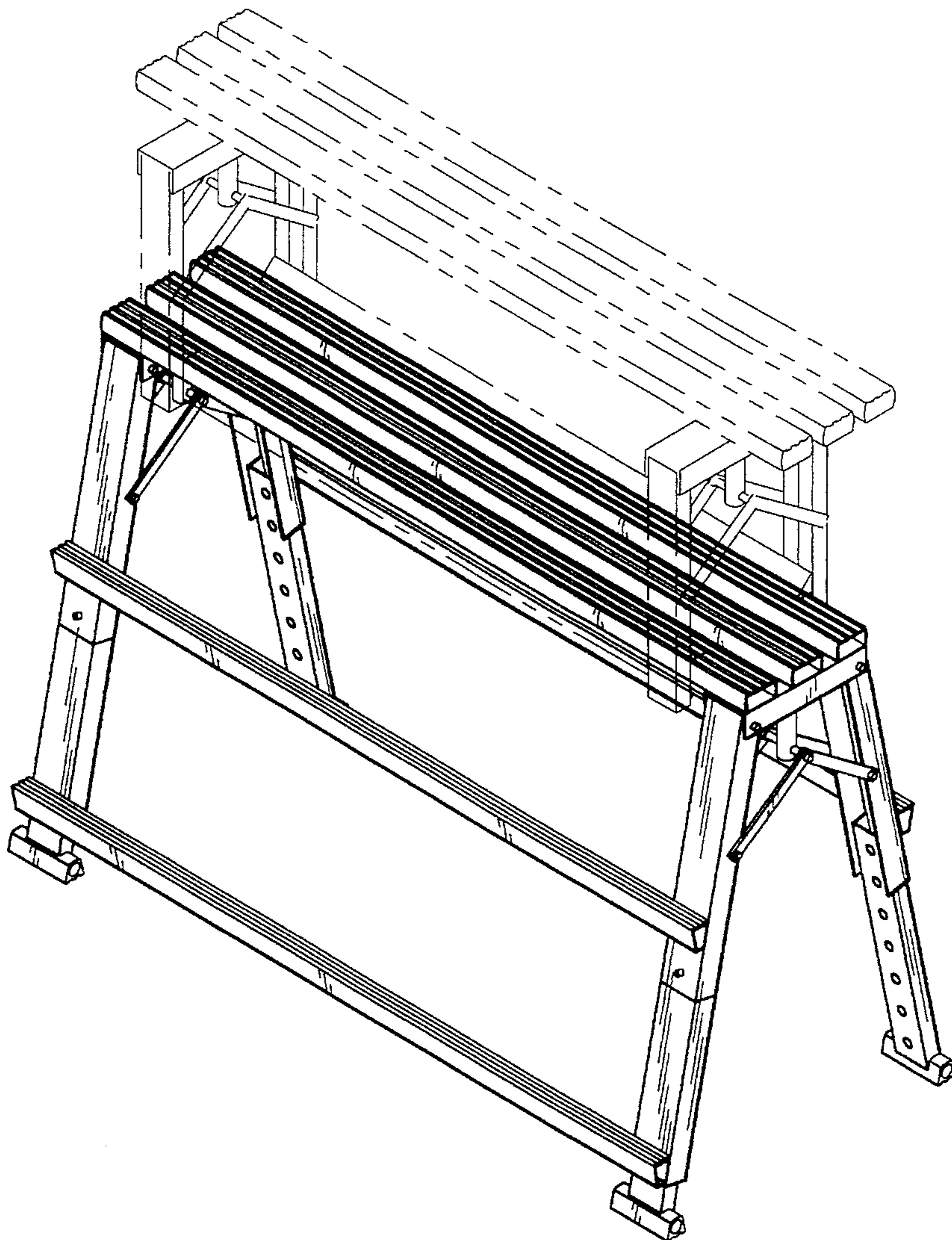
FIG. 5 is a left side elevational view thereof;

FIG. 6 is a bottom plan view thereof; and,

FIG. 7 is a rear elevational view thereof.

Primary Examiner—Doris Clark

1 Claim, 4 Drawing Sheets



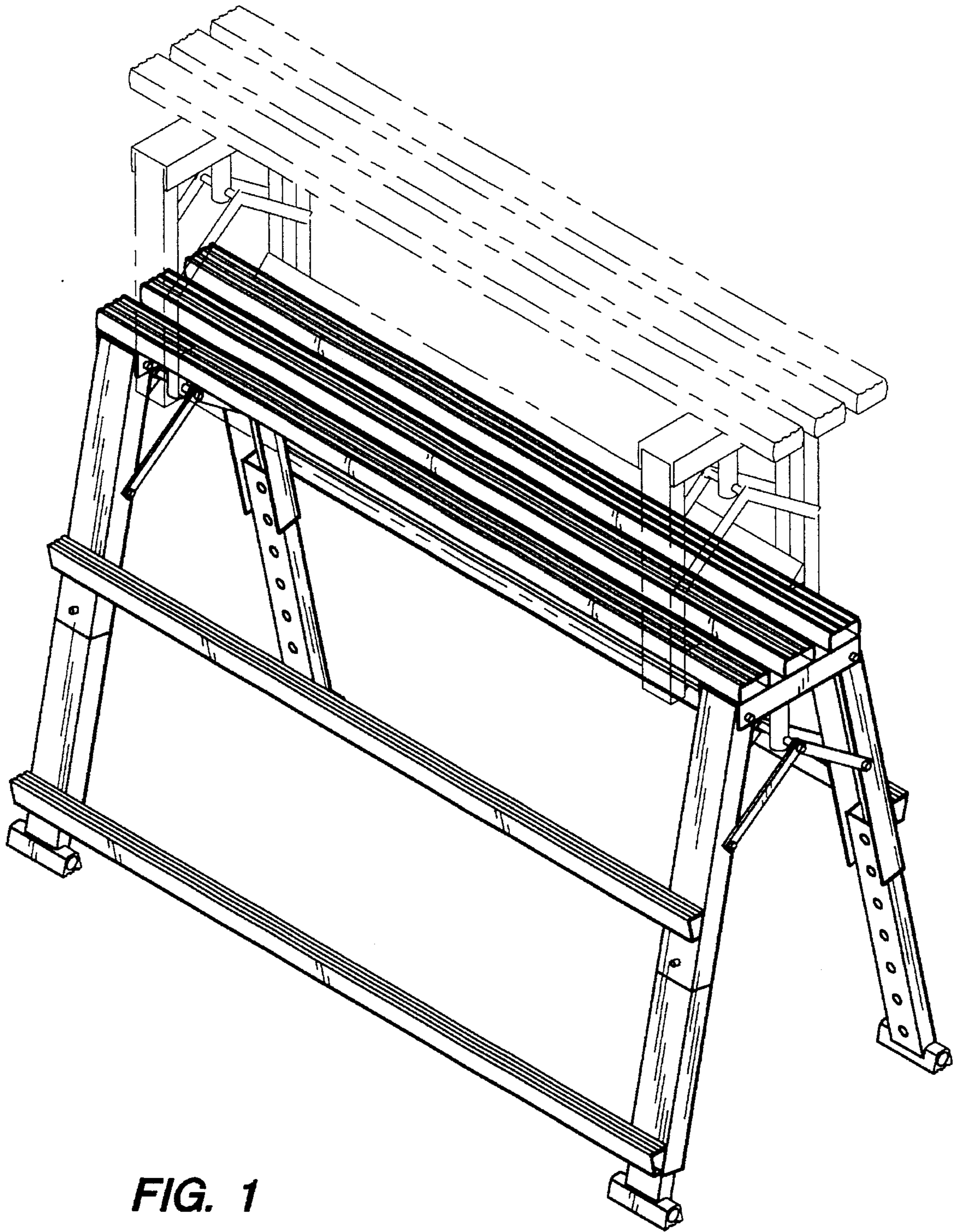


FIG. 1

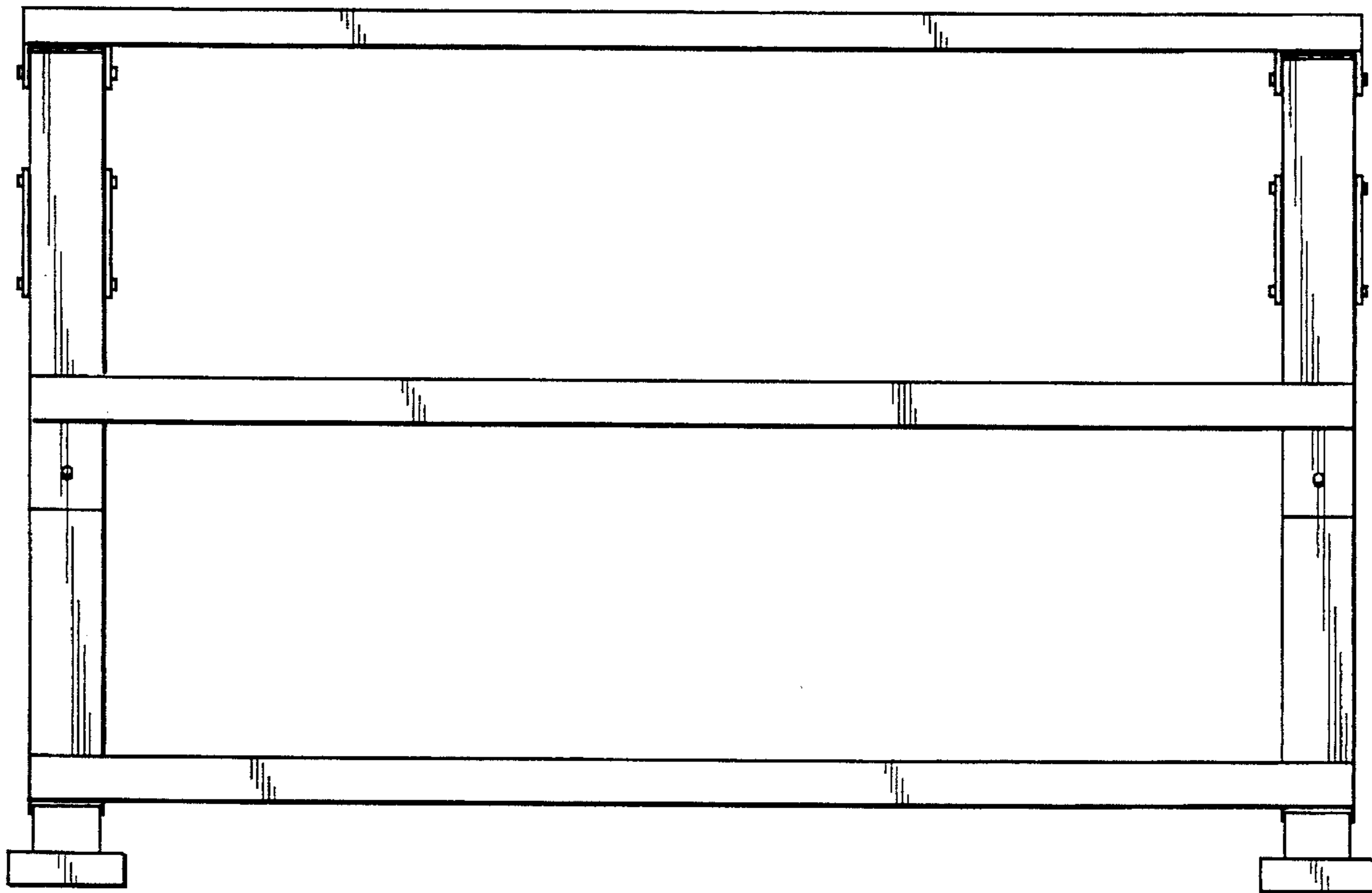


FIG. 2

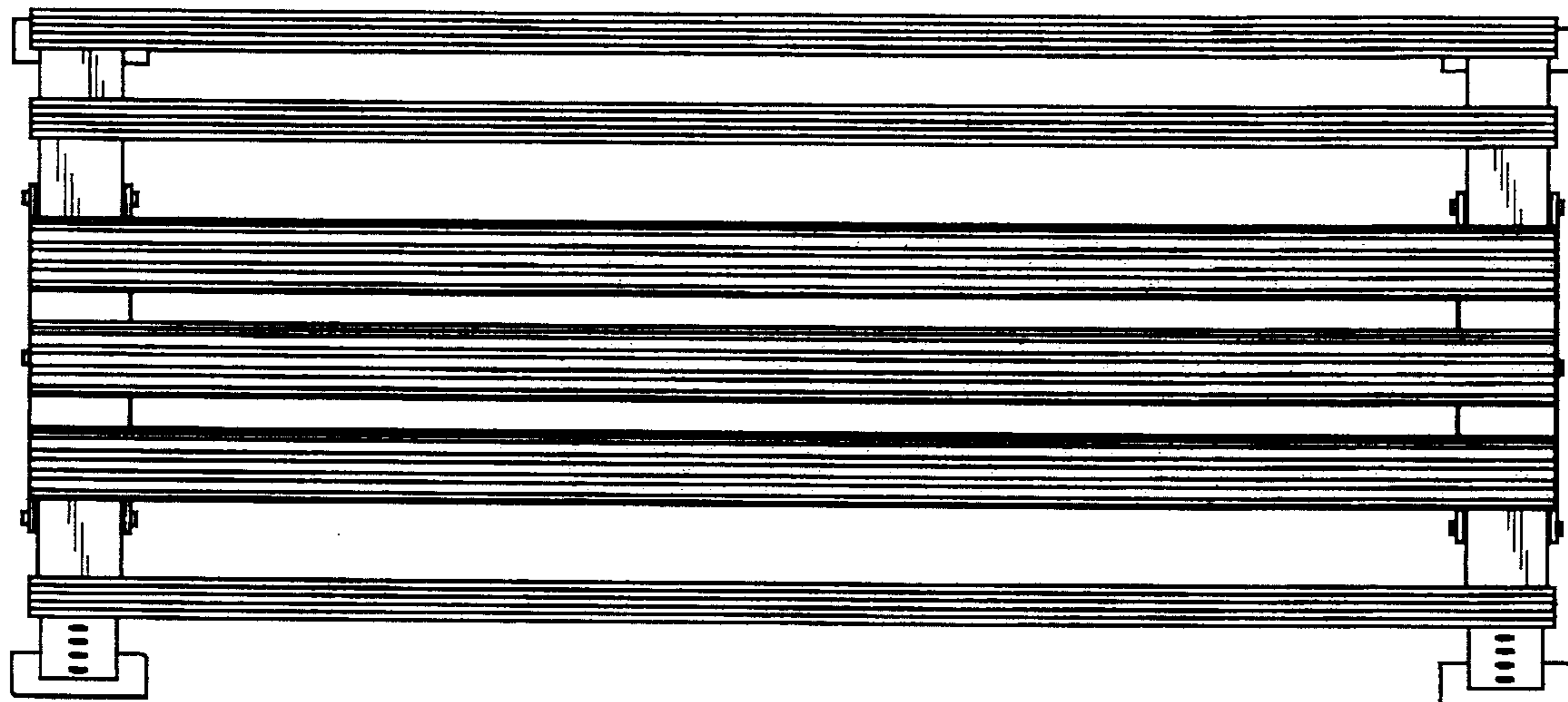


FIG. 3

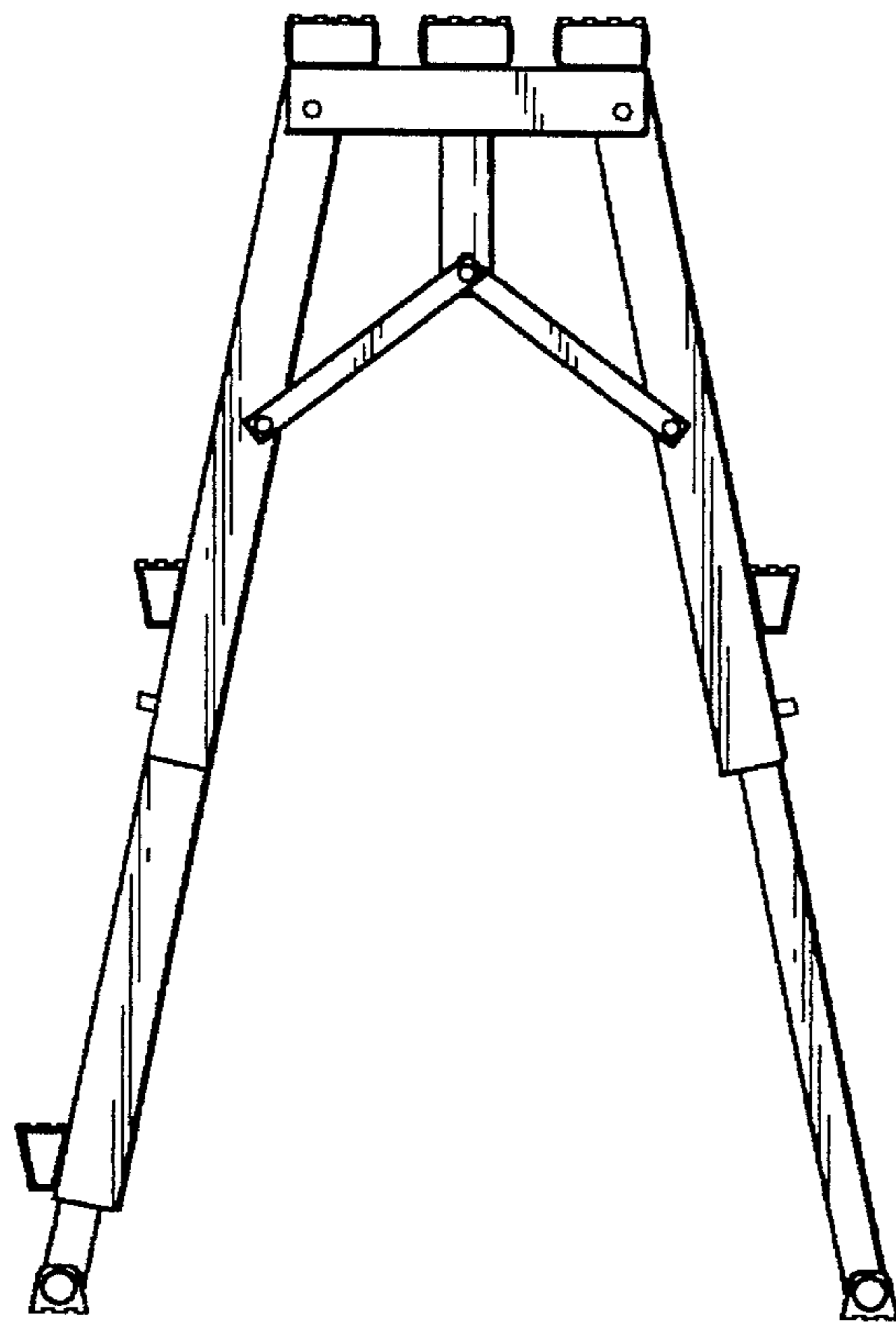


FIG. 4

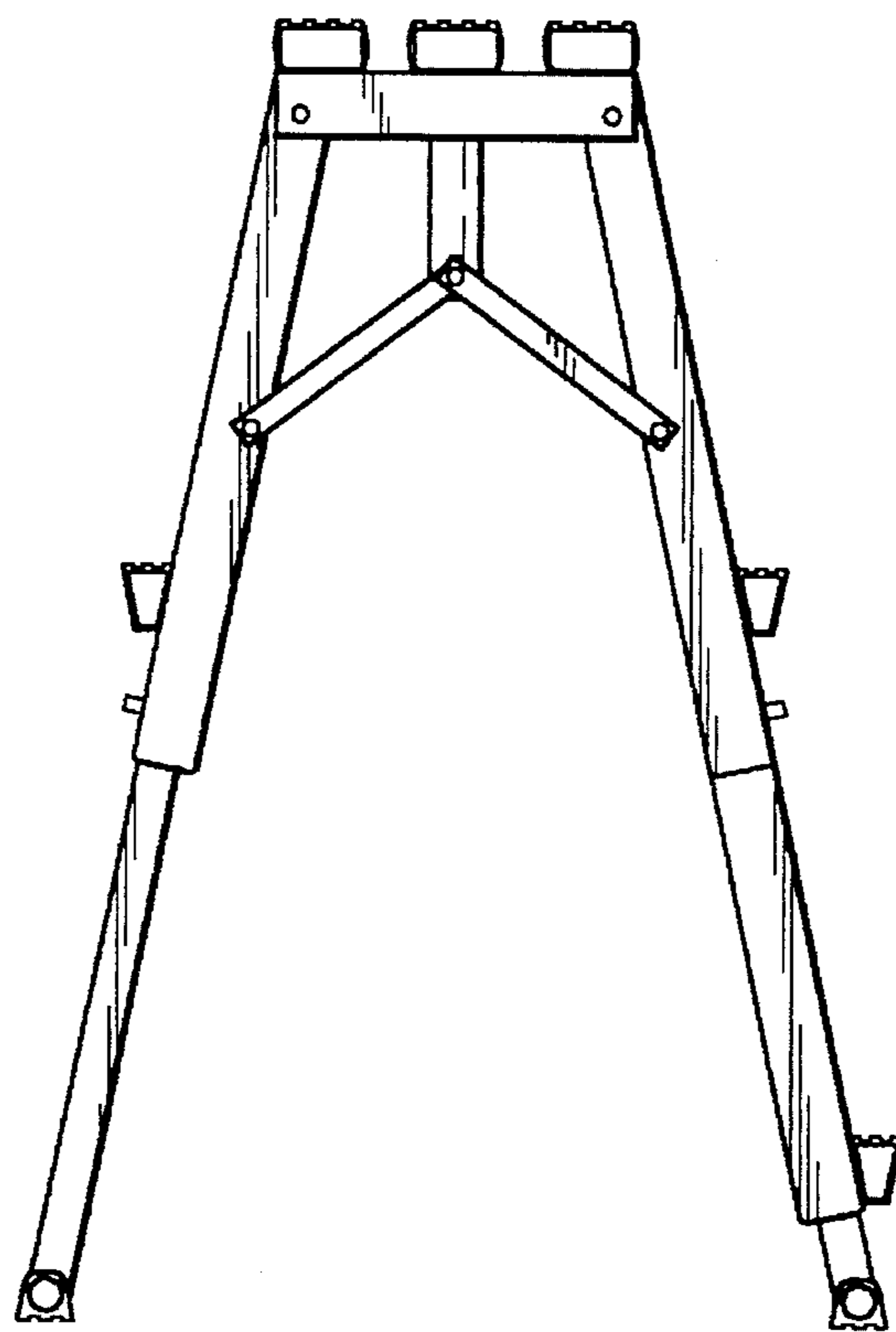


FIG. 5

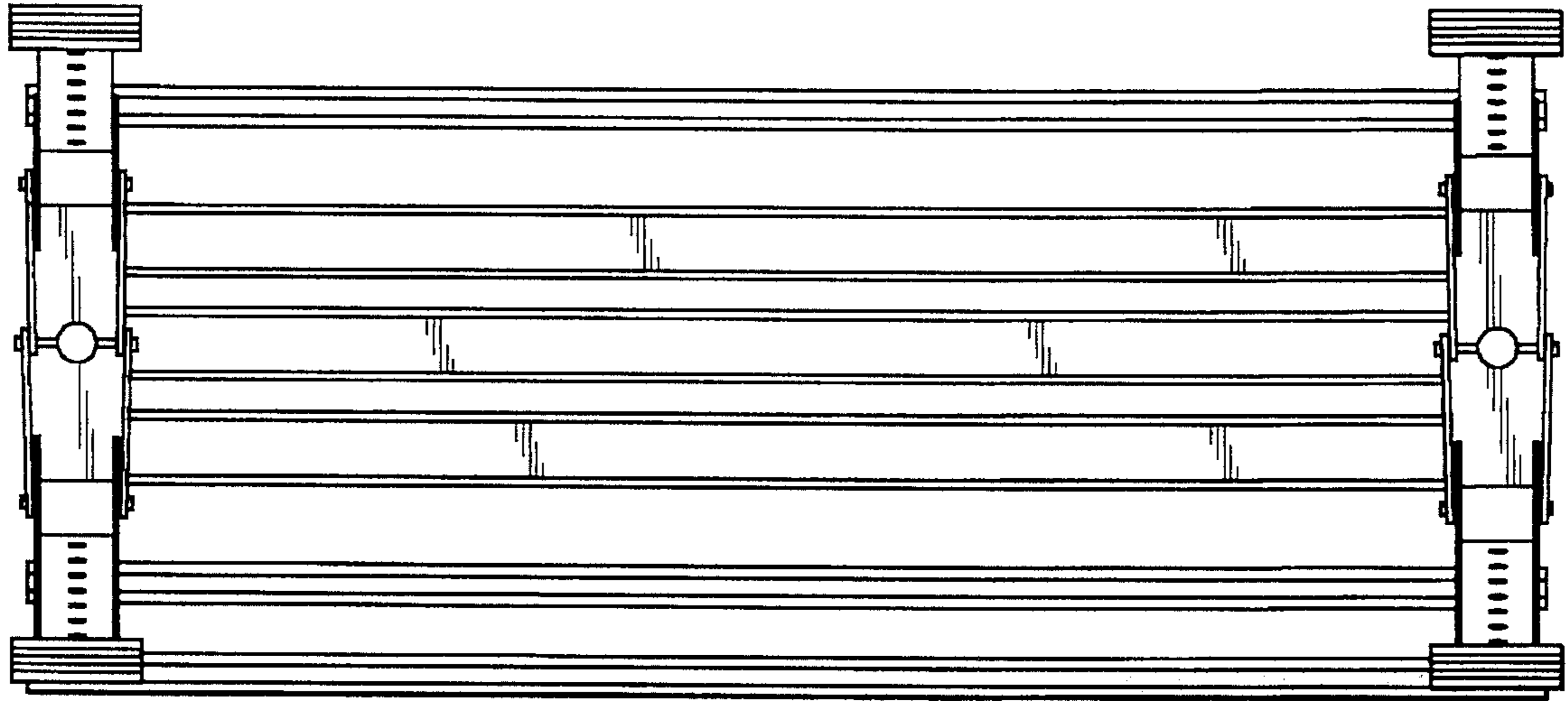


FIG. 6

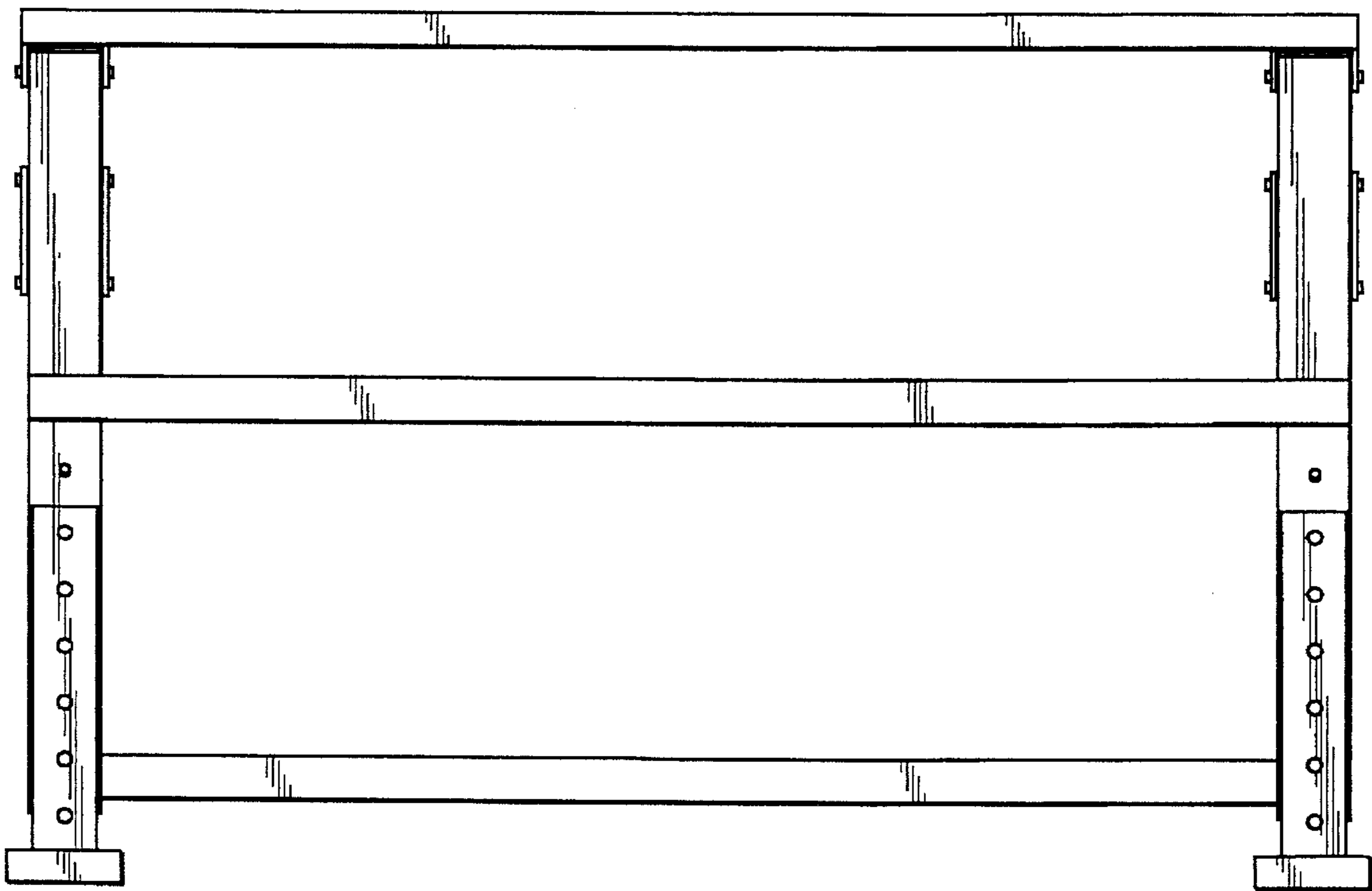


FIG. 7