



US00D371443S

# United States Patent [19] Lie

[11] Patent Number: **Des. 371,443**

[45] Date of Patent: **\*\*Jul. 2, 1996**

[54] **MASSAGER**

2,688,960	9/1954	Fischer et al.	601/128
3,672,355	6/1972	Ogawa et al.	601/135
3,850,163	11/1974	Andis, Jr.	601/119

[75] Inventor: **Sen-Nen Lie**, Kowloon, Hong Kong

[73] Assignee: **Kolvin Industries Limited**, Kowloon, Hong Kong

*Primary Examiner*—Stella Reid  
*Attorney, Agent, or Firm*—Blakely, Sokoloff, Taylor & Zafman

[\*\*] Term: **14 Years**

### [57] CLAIM

[21] Appl. No.: **33,319**

The ornamental design for a massager, as shown and described.

[22] Filed: **Jan. 10, 1995**

[52] U.S. Cl. .... **D24/215**

### DESCRIPTION

[58] Field of Search ..... D24/215, 214,  
D24/211, 200; 601/128, 129, 131, 134,  
112, 118, 119, 136, 135, 84

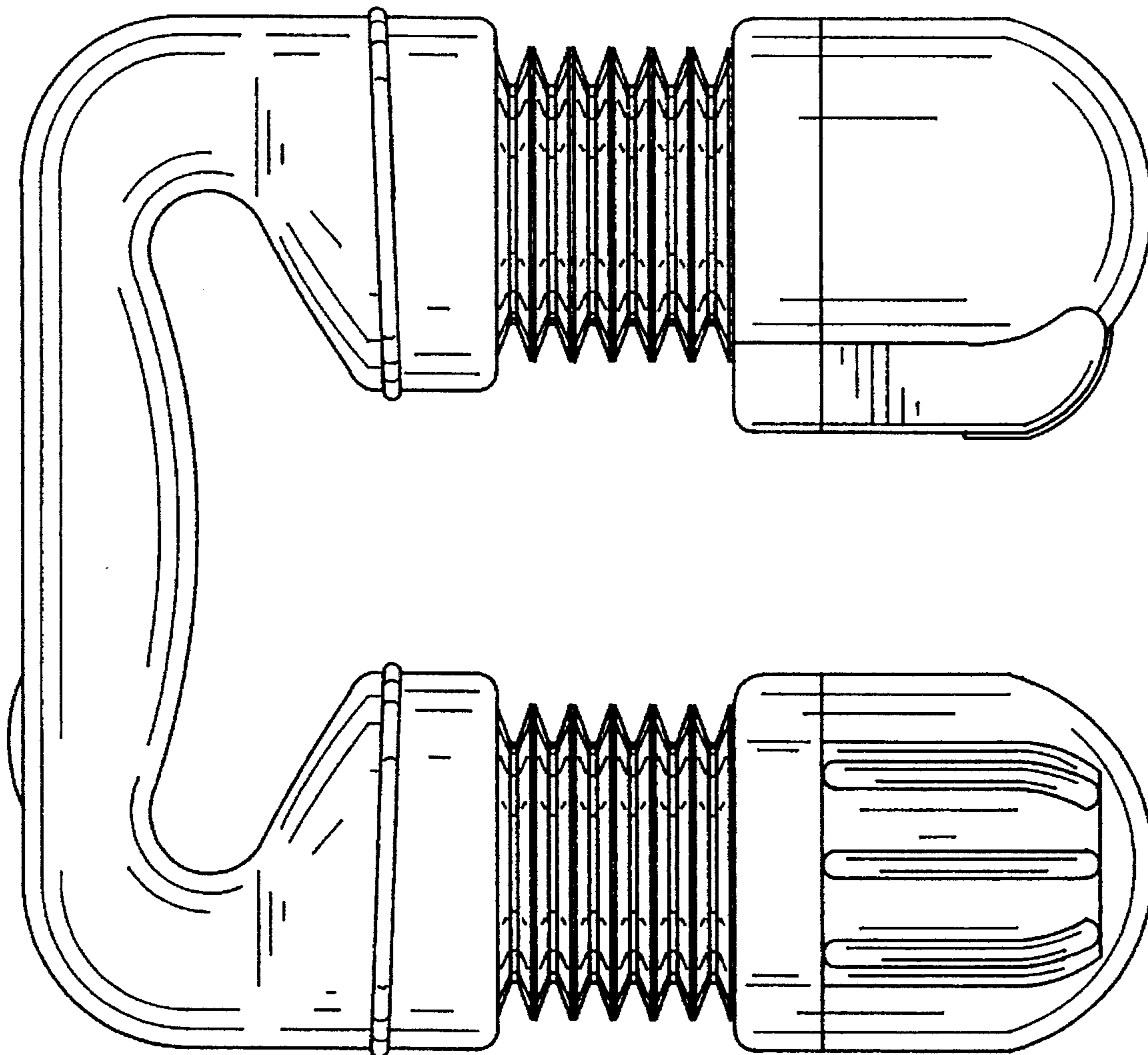
FIG. 1 is a front elevation view of a massager, showing my new design, with the left massage head rotated 90 degrees; FIG. 2 is a rear elevation view thereof; FIG. 3 is a right side elevation view thereof; FIG. 4 is a left side elevation view thereof; FIG. 5 is a top plan view thereof; and, FIG. 6 is a bottom plan view thereof.

### [56] References Cited

#### U.S. PATENT DOCUMENTS

D. 331,466	12/1992	Doria	D24/200
D. 346,660	5/1994	Chiang	D24/215
D. 354,571	1/1995	Monti	D24/215

**1 Claim, 3 Drawing Sheets**



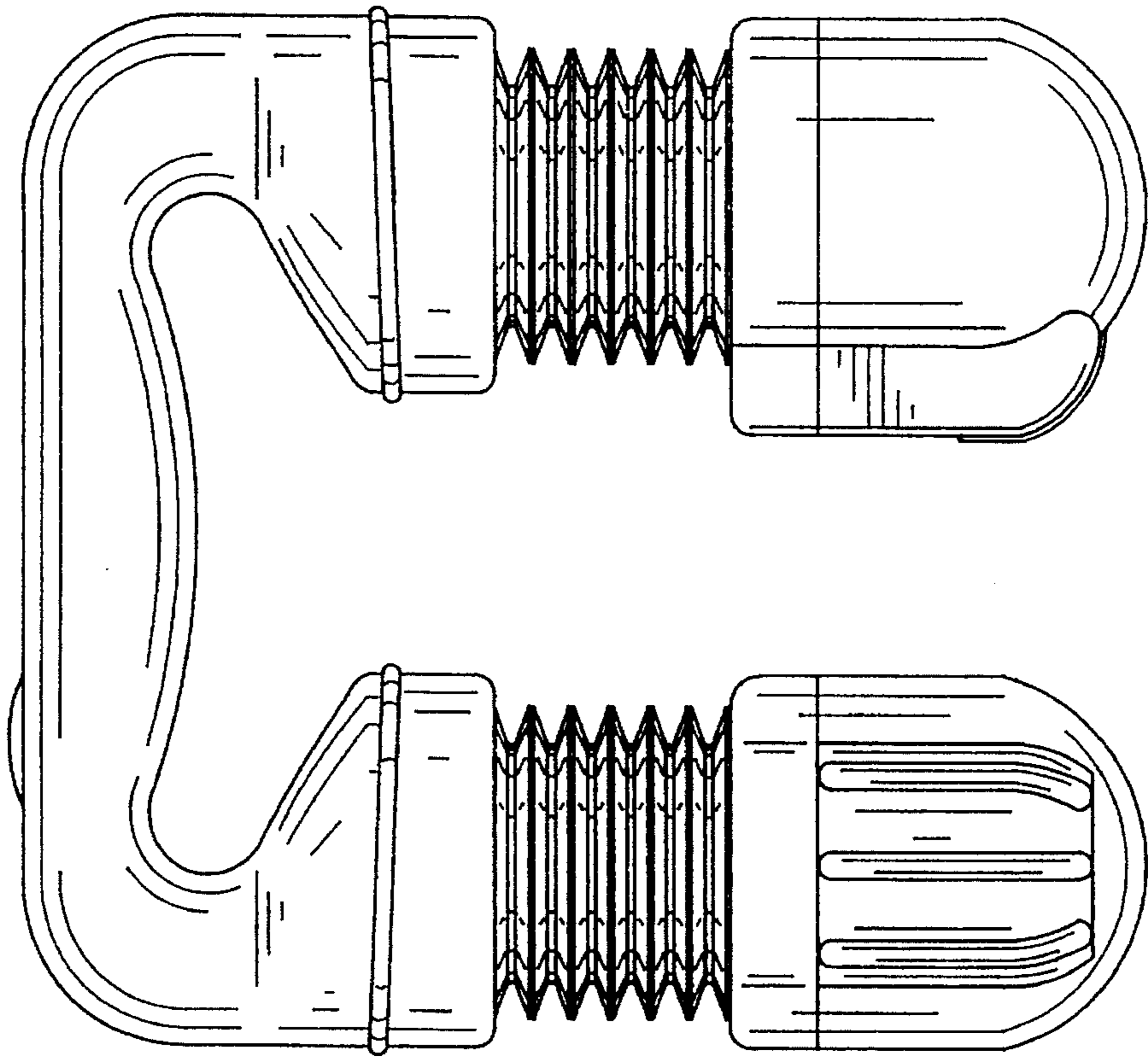


FIG. 1

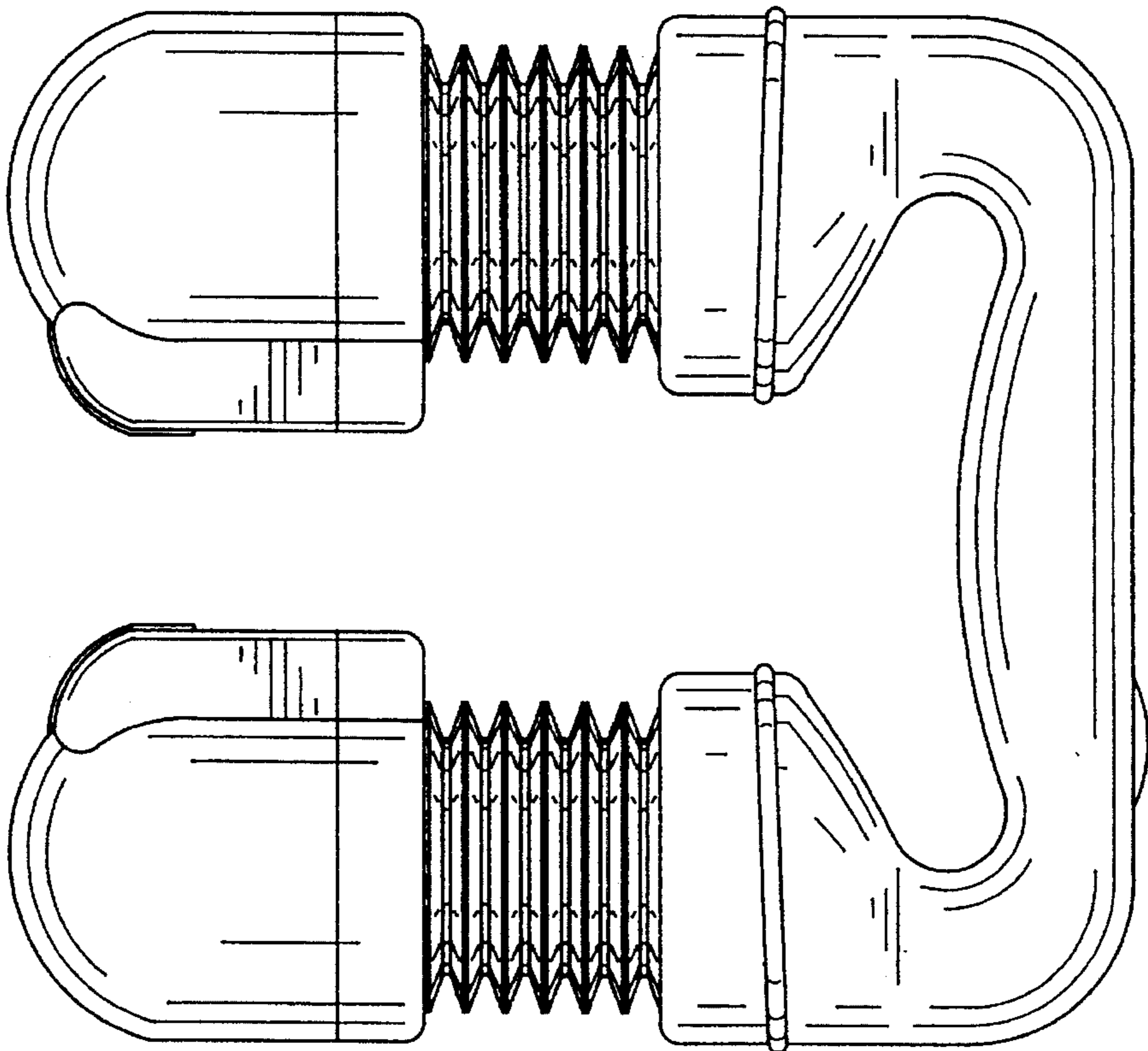


FIG. 2

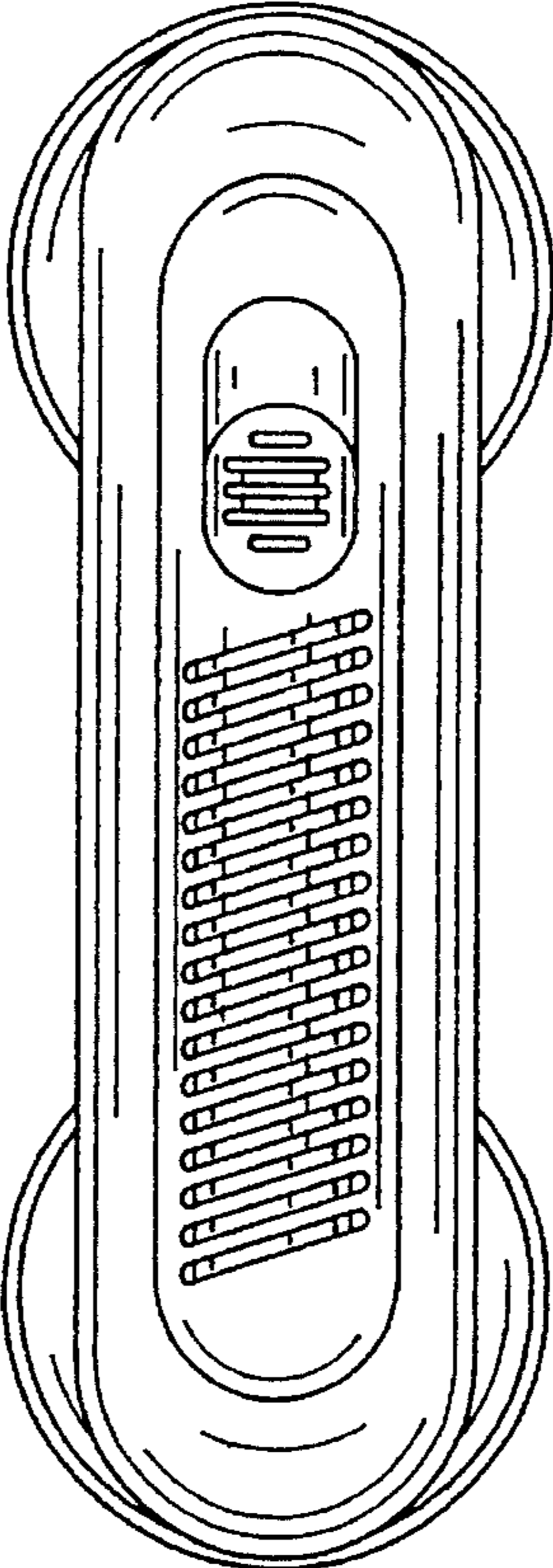


FIG. 3

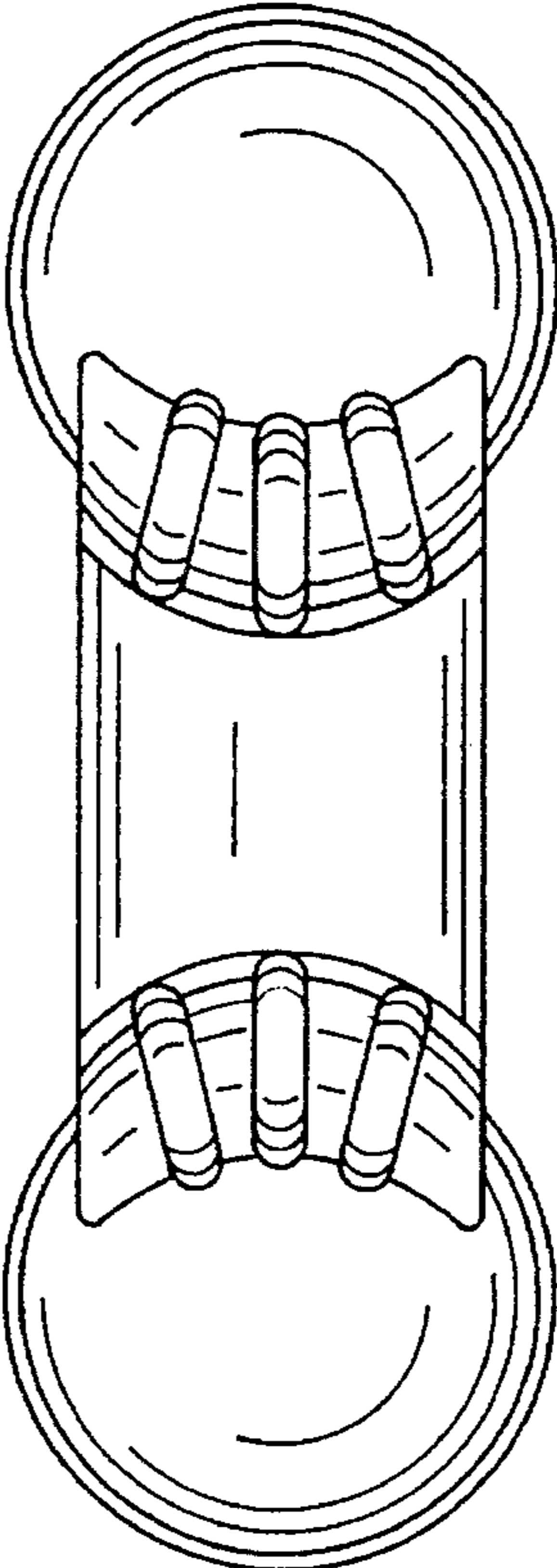


FIG. 4

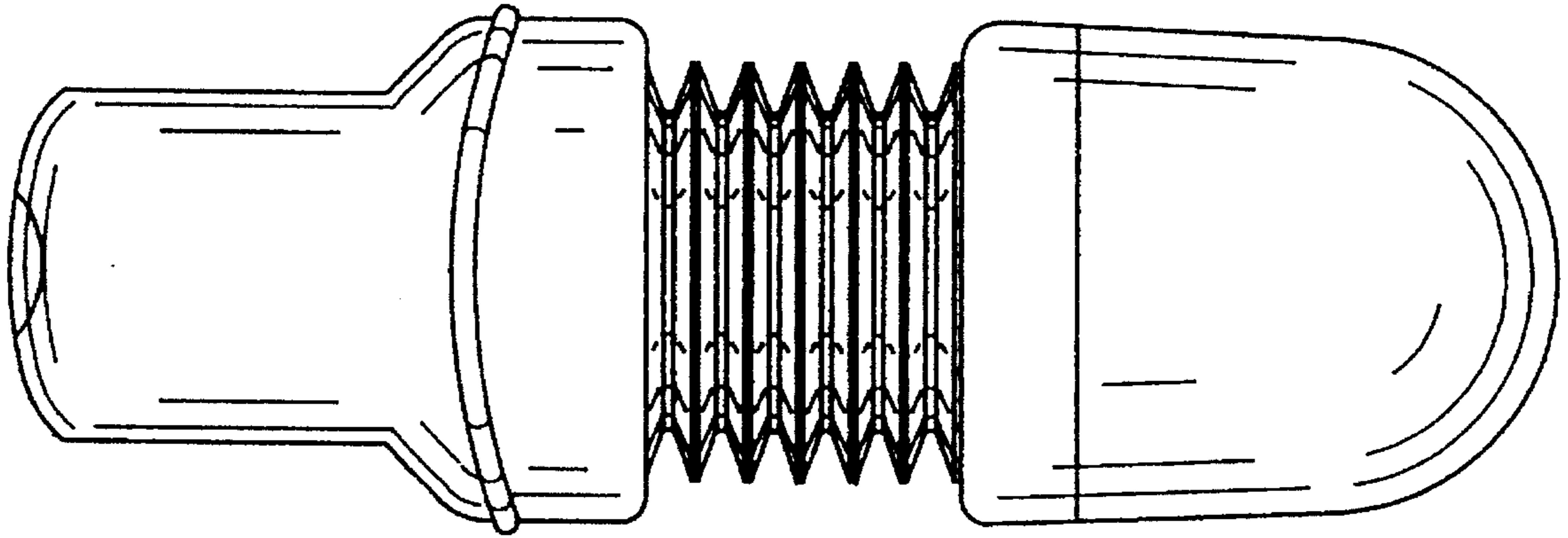


FIG. 5

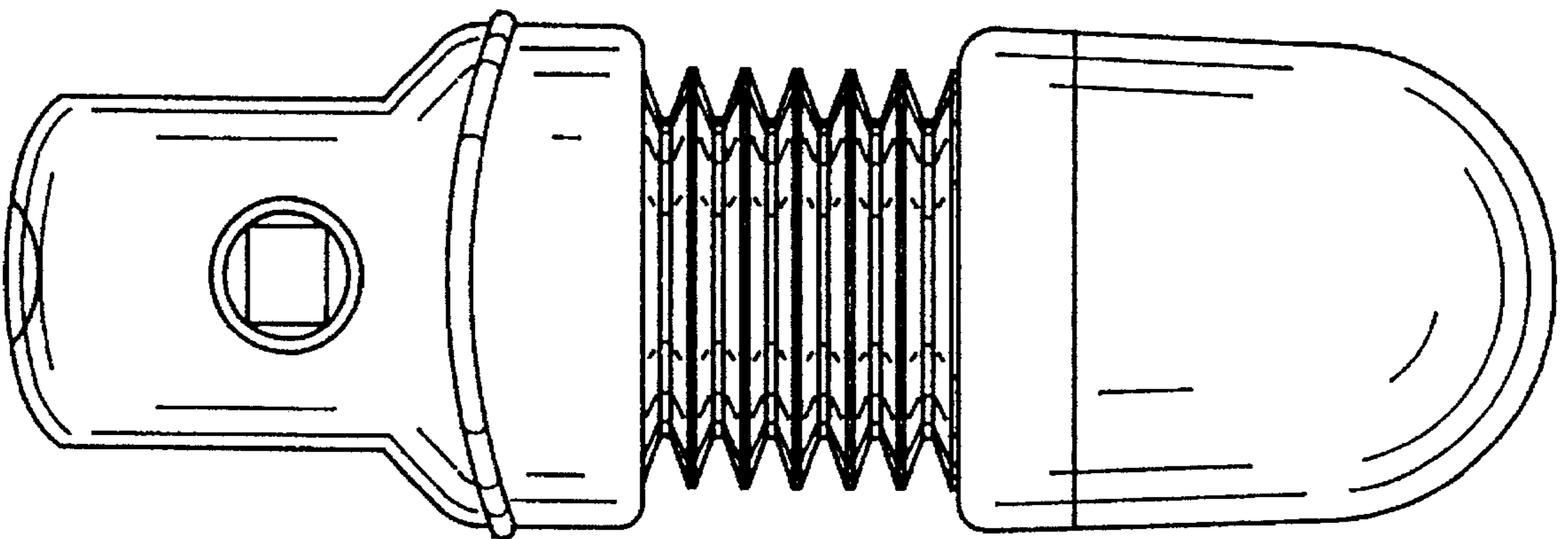


FIG. 6