



US00D371440S

United States Patent [19]

Petersen

[11] Patent Number: **Des. 371,440**

[45] Date of Patent: ****Jul. 2, 1996**

[54] ANALYZER FOR BIOLOGICAL FLUIDS

[75] Inventor: **Hans H. Petersen**, Cambridge, England

[73] Assignee: **Bayer Corporation**, Elkhart, Ind.

[**] Term: **14 Years**

[21] Appl. No.: **32,032**

[22] Filed: **Dec. 12, 1994**

[52] U.S. Cl. **D24/186**; D24/231; D24/232

[58] Field of Search D15/5-9.2; D10/46;
73/32 R, 53.01; D24/186, 231, 232

[56] **References Cited**

U.S. PATENT DOCUMENTS

- D. 246,258 11/1977 Ekert D15/7
- D. 263,997 4/1982 Preussner D15/7
- D. 277,602 2/1985 Benson et al. D15/7
- D. 351,469 10/1994 Okamoto et al. D24/232

D. 351,910 10/1994 Anderson D24/186

Primary Examiner—Ralf Seifert
Attorney, Agent, or Firm—Jerome L. Jeffers

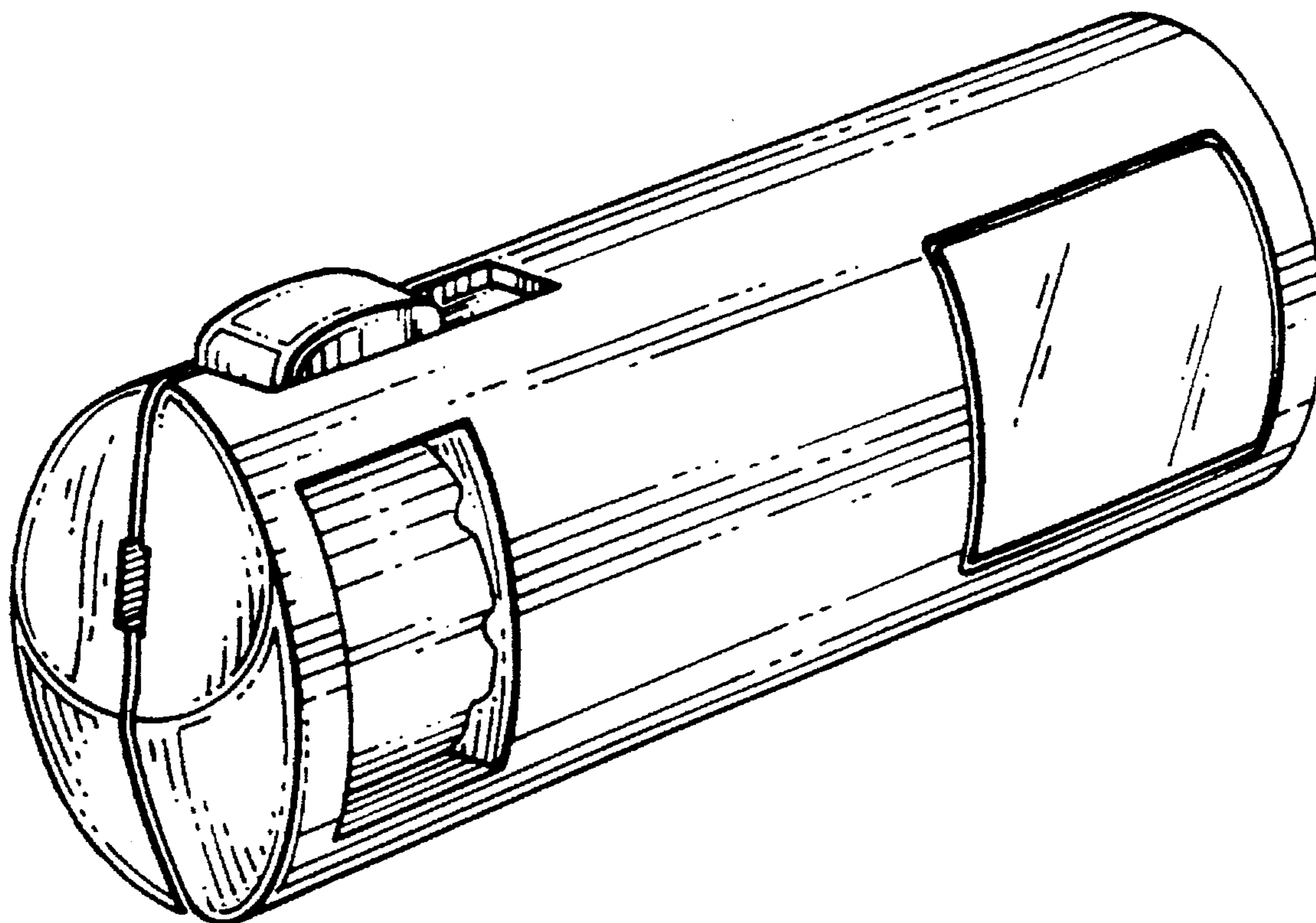
[57] **CLAIM**

The ornamental design for the analyzer for biological fluids, as shown and described.

DESCRIPTION

FIG. 1 is a perspective view of a analyzer for biological fluids showing my new design;
FIG. 2 is a top view thereof;
FIG. 3 is a front view thereof;
FIG. 4 is a rear view thereof;
FIG. 5 is a bottom view thereof;
FIG. 6 is a right side view thereof; and,
FIG. 7 is a left side view thereof.

1 Claim, 3 Drawing Sheets



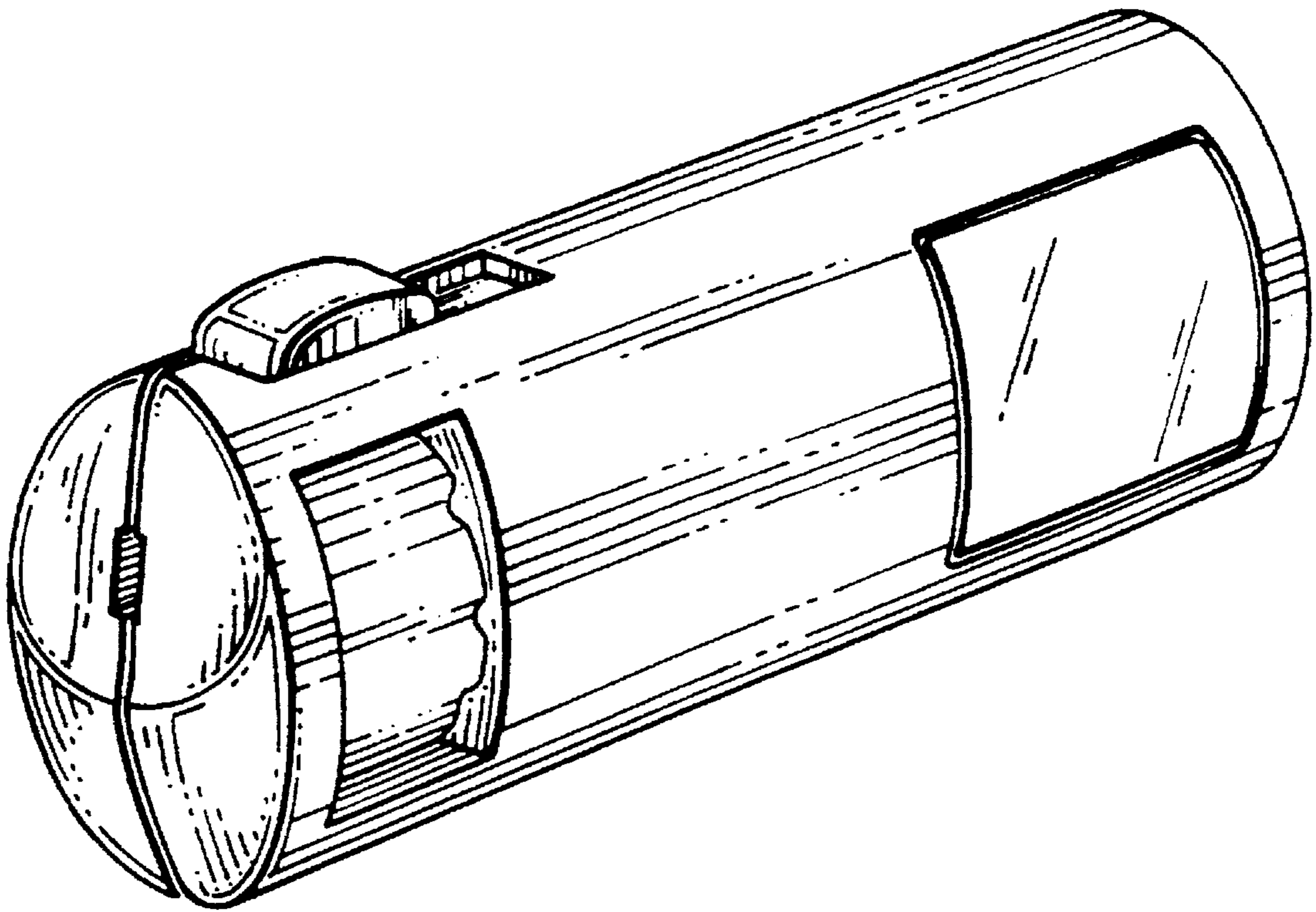


FIG. 1

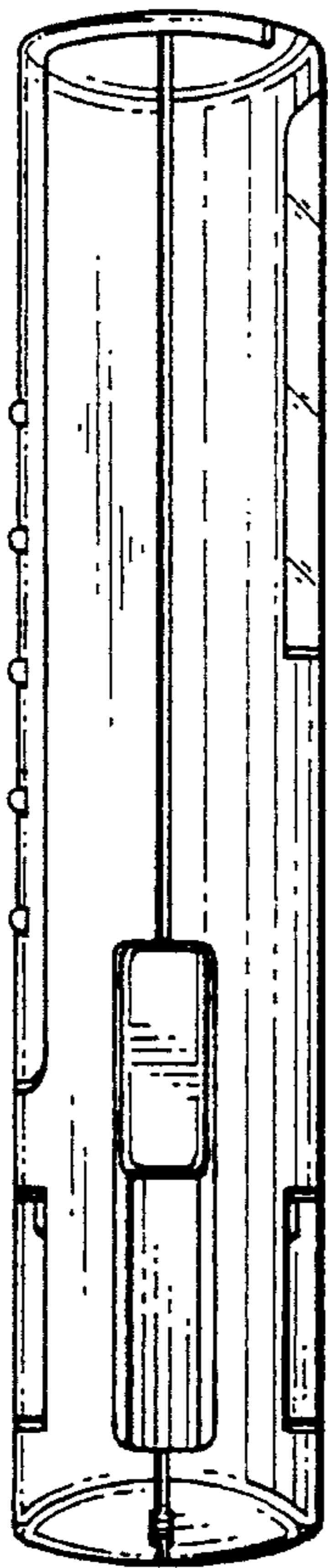


FIG. 2

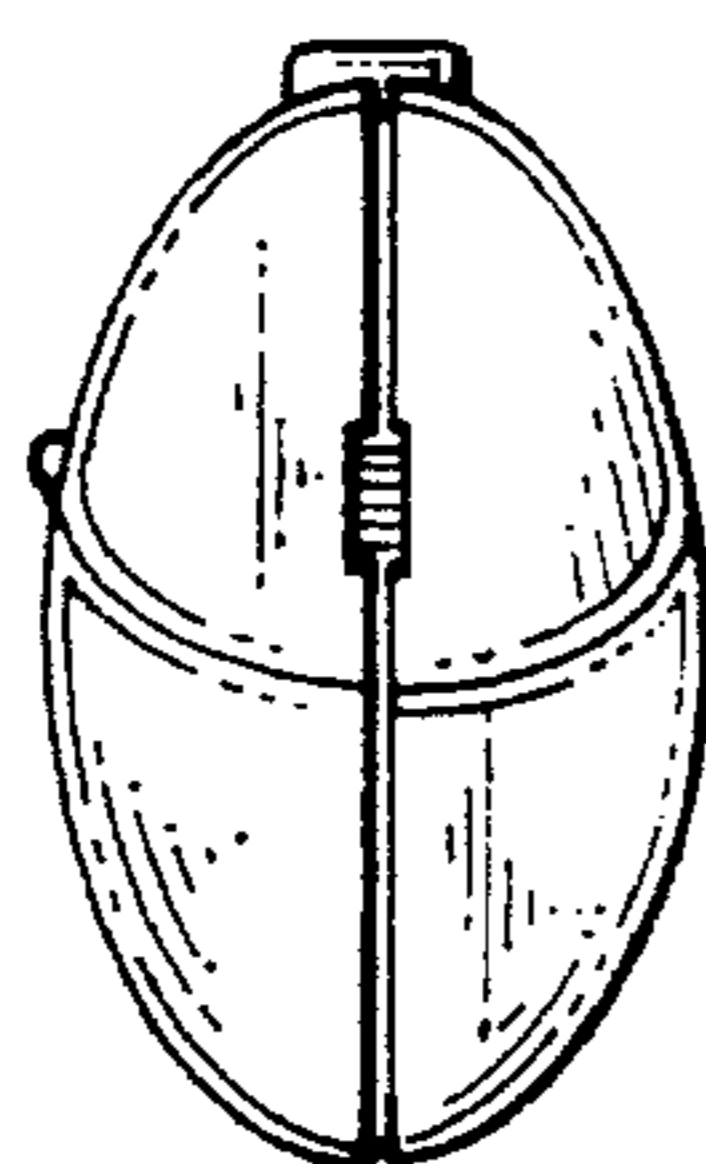


FIG. 3

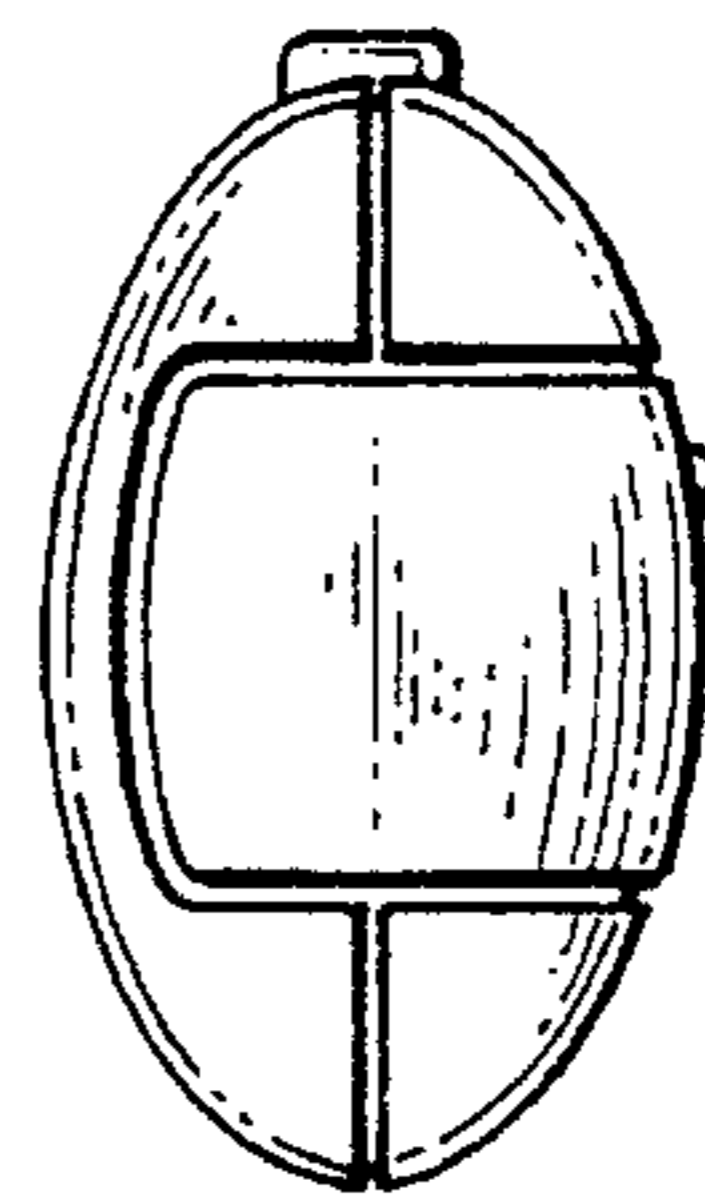


FIG. 4

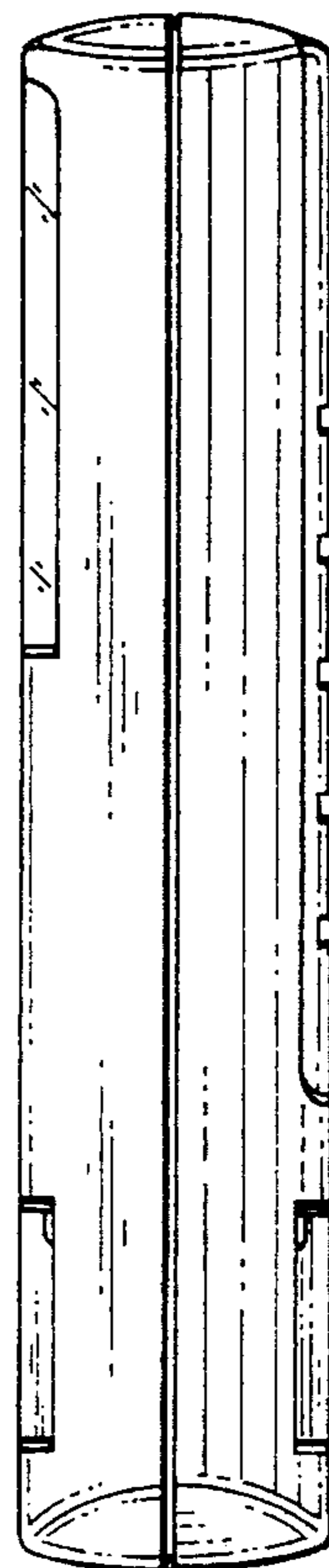


FIG. 5

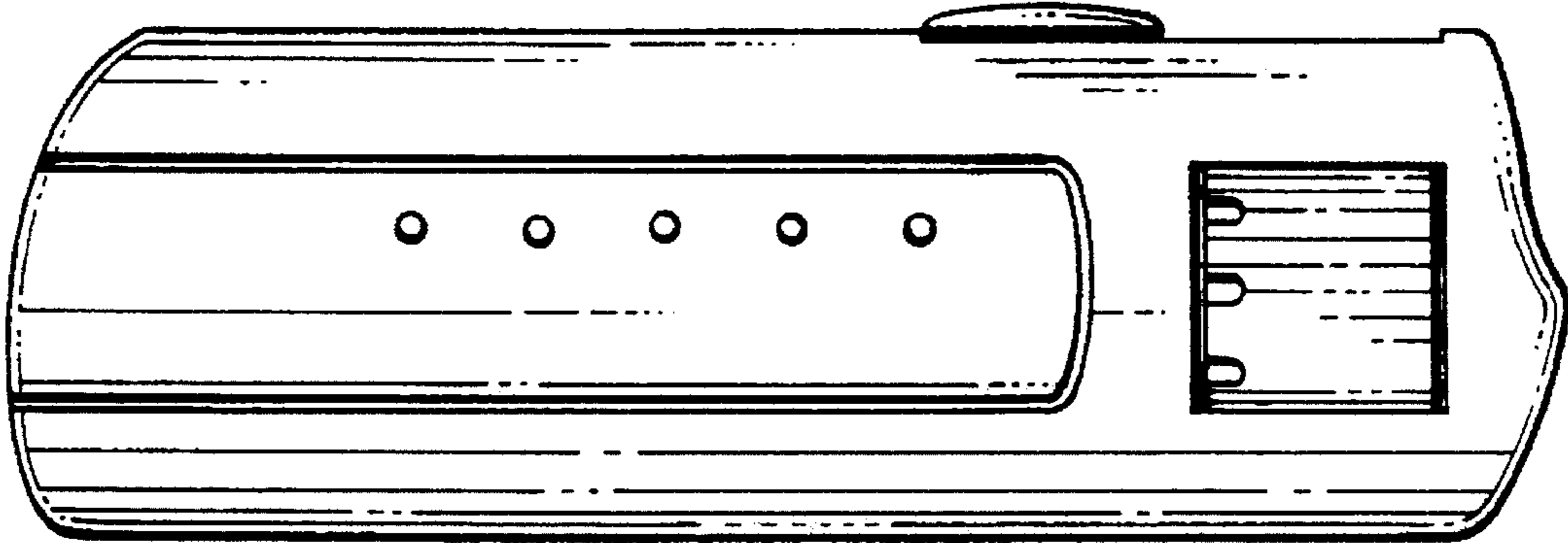


FIG. 6

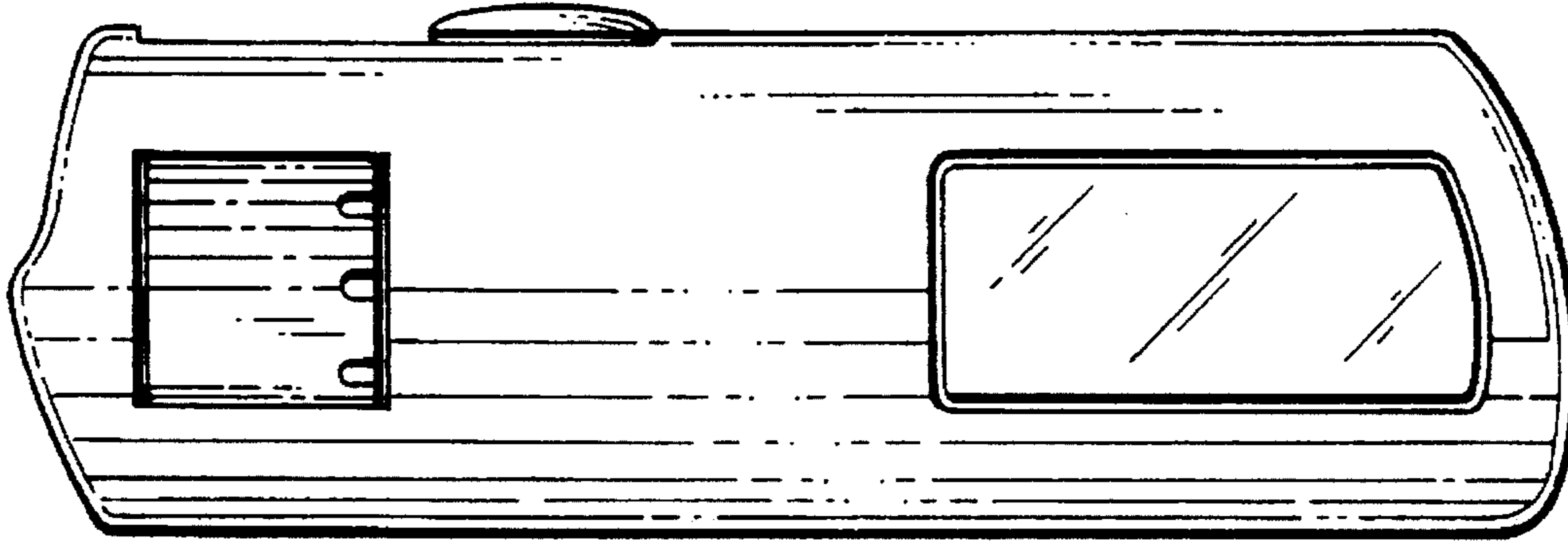


FIG. 7