



US00D371435S

United States Patent [19]
Locke

[11] **Patent Number: Des. 371,435**

[45] **Date of Patent: **Jul. 2, 1996**

[54] **MOBILE FILTER APPARATUS**

Primary Examiner—Lisa P. Lichtenstein

[76] Inventor: **Steven F. Locke**, 2821 NE. 65th Ave.,
Vancouver, Wash. 98661

[57] **CLAIM**

[**] Term: **14 Years**

The ornamental design for a mobile filter apparatus, as shown.

[21] Appl. No.: **37,807**

DESCRIPTION

[22] Filed: **Apr. 20, 1995**

FIG. 1 is a left side view;

[52] U.S. Cl. **D23/365**

FIG. 2 is a right side view;

[58] Field of Search D23/365; 422/168;
312/249.1, 249.8; 55/356

FIG. 3 is a front plan view;

FIG. 4 is a top view;

FIG. 5 is a back view; and,

FIG. 6 is a bottom view.

[56] **References Cited**

U.S. PATENT DOCUMENTS

D. 214,375 6/1969 Knab D23/364

1 Claim, 2 Drawing Sheets

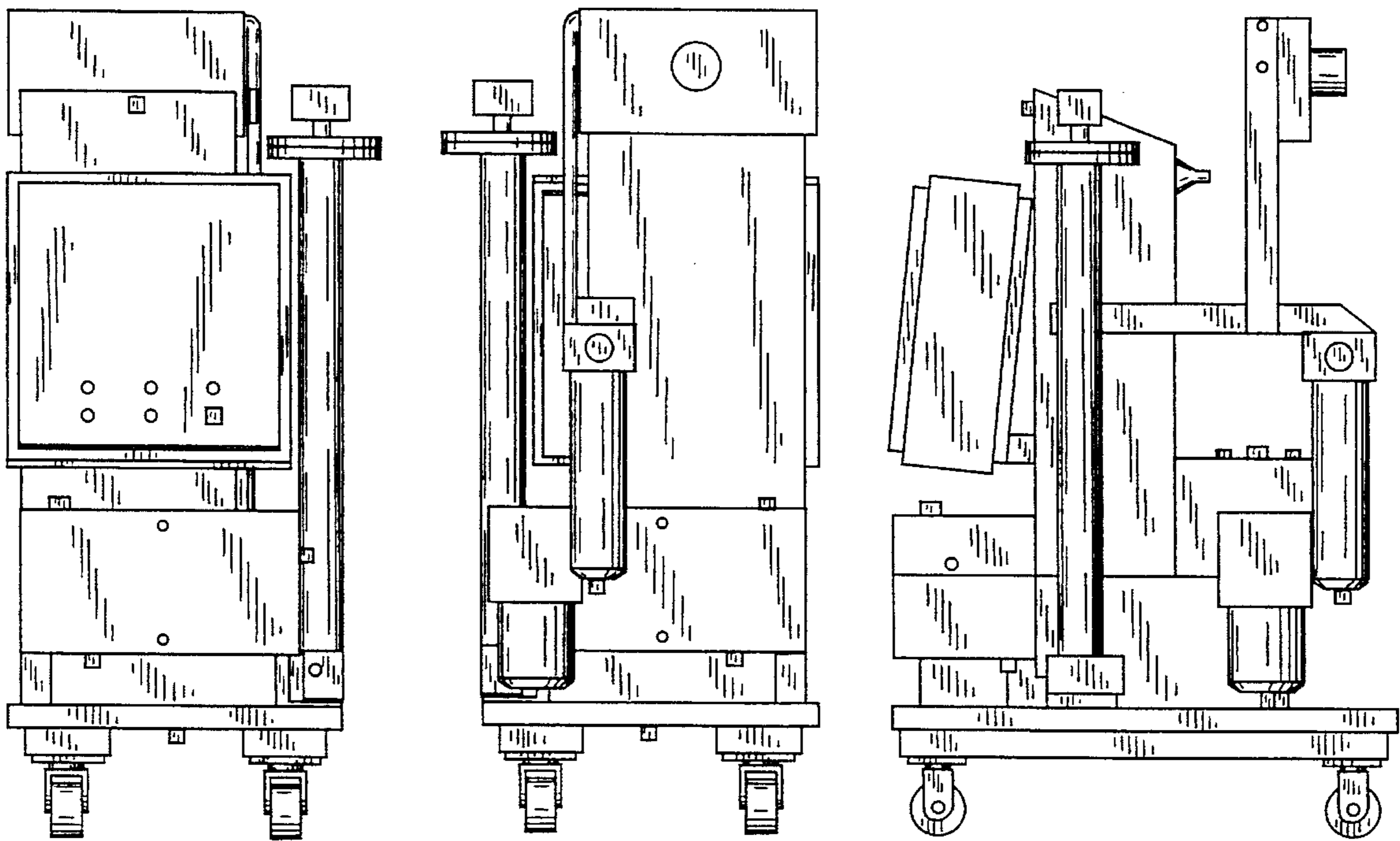


FIG. 1

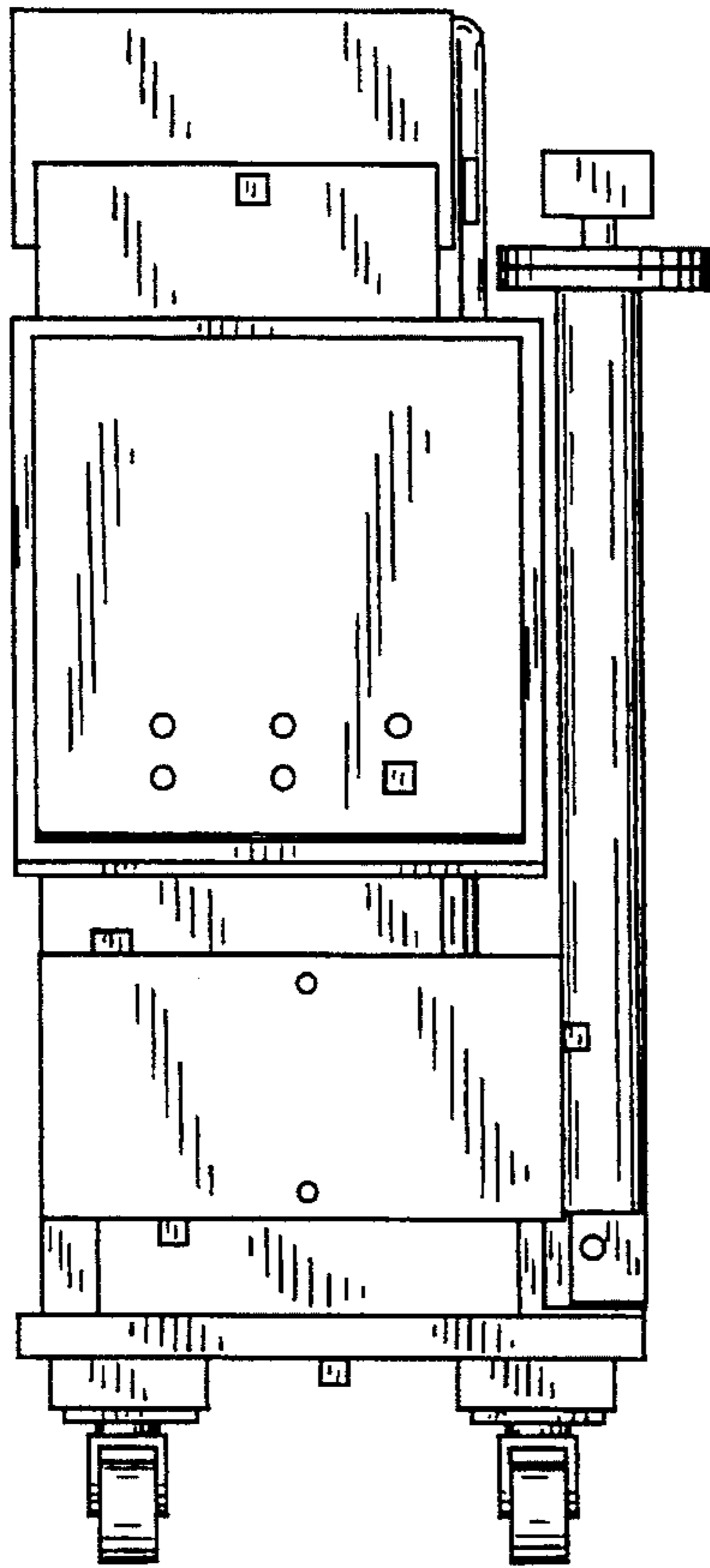


FIG. 2

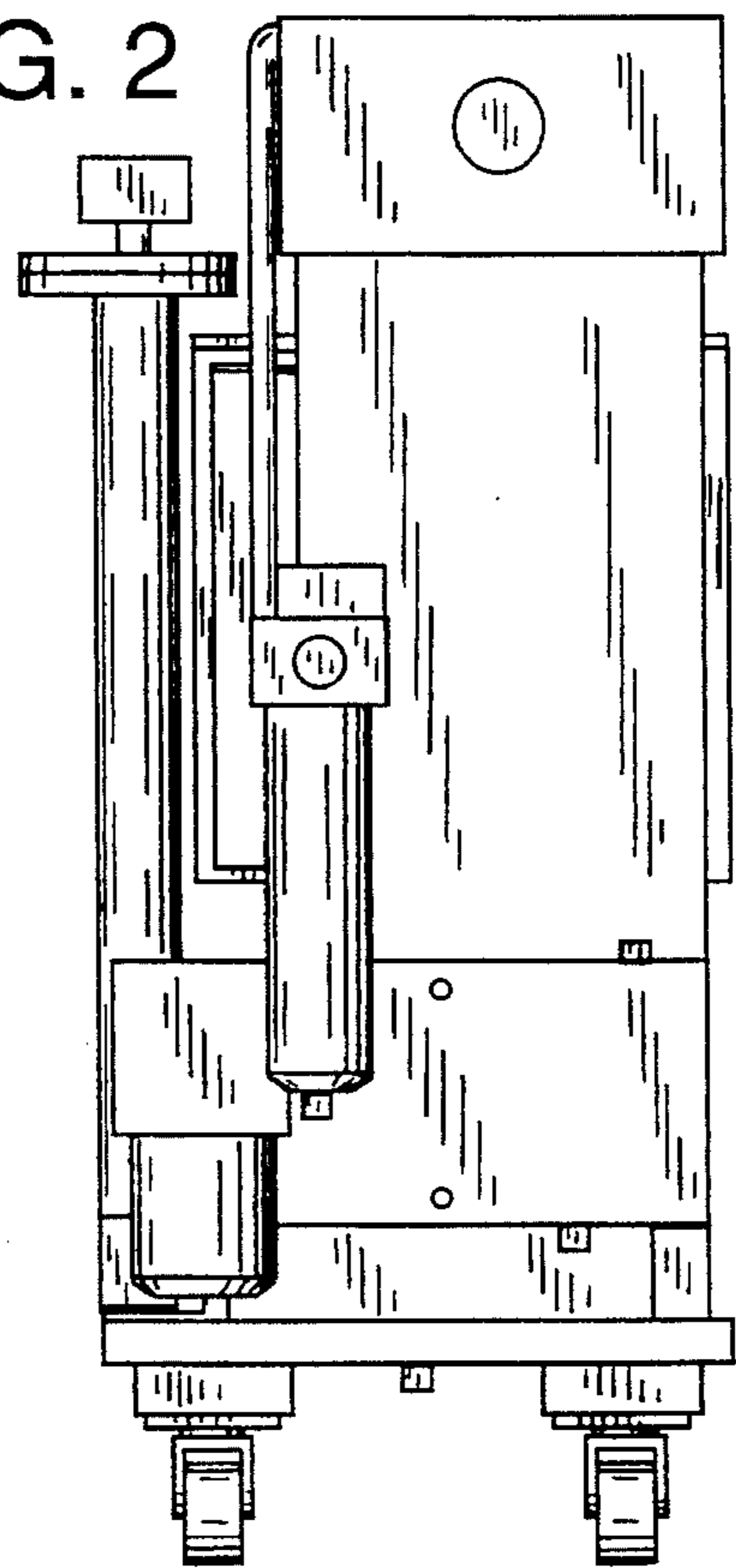


FIG. 3

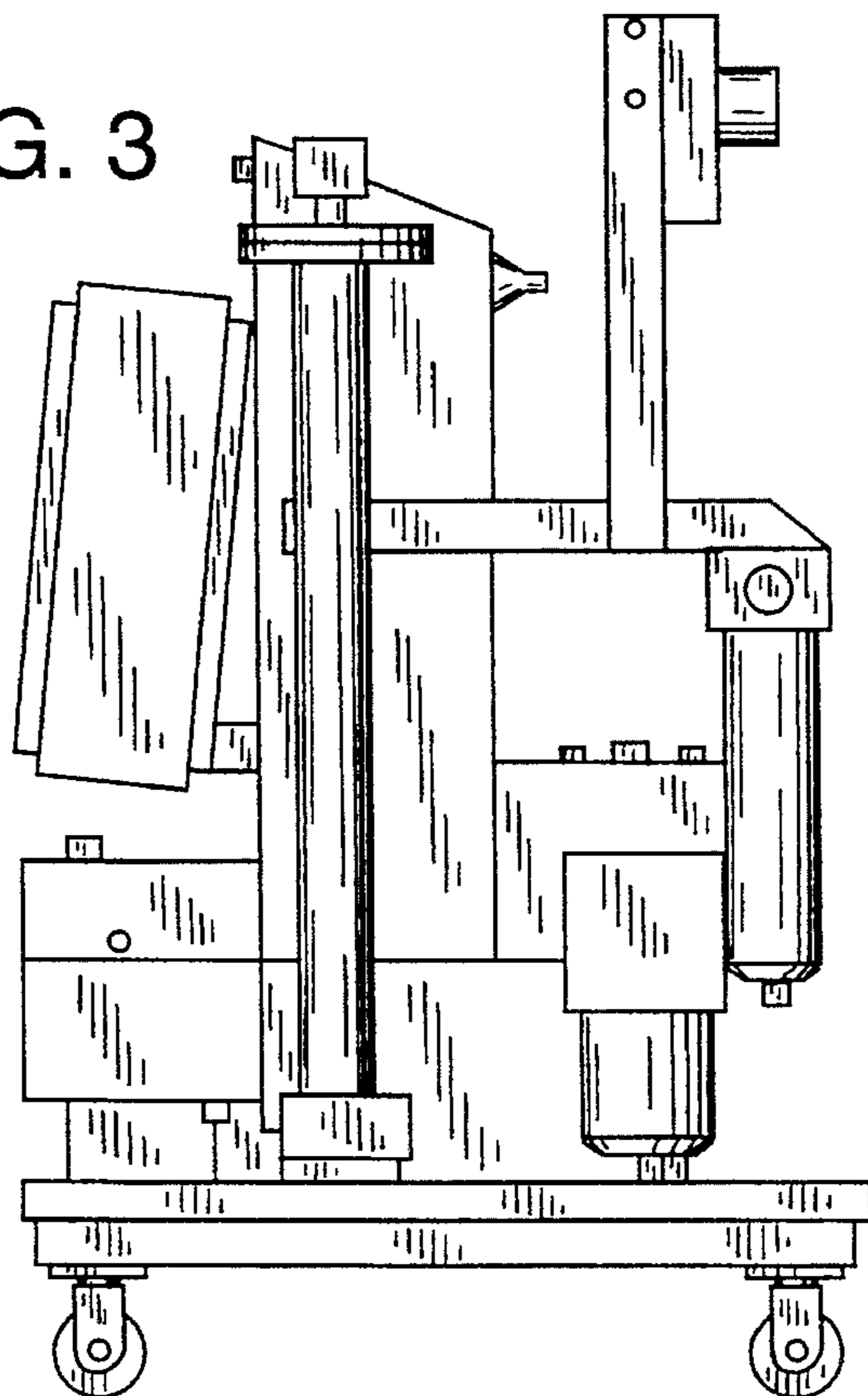


FIG. 4

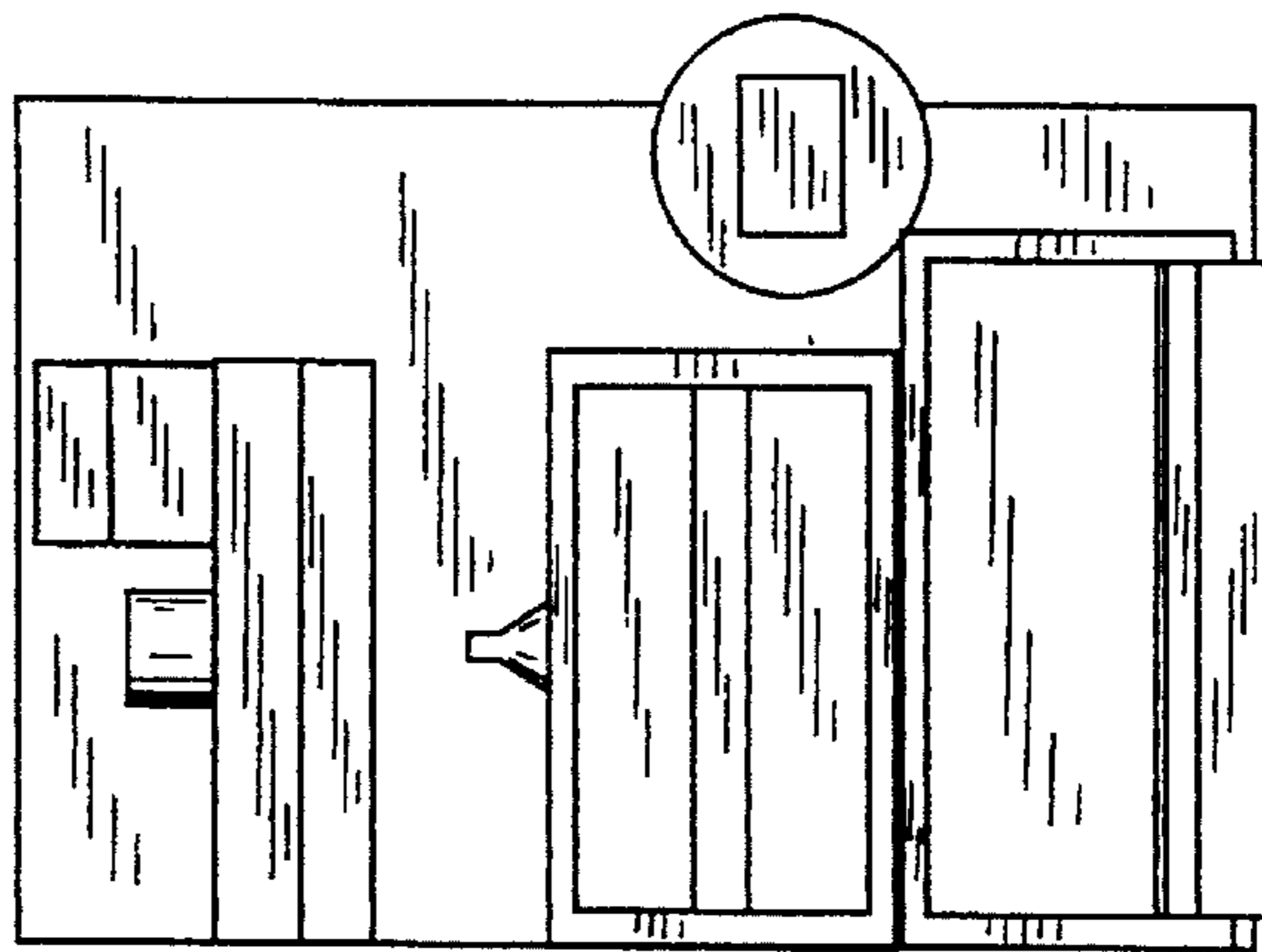


FIG. 5

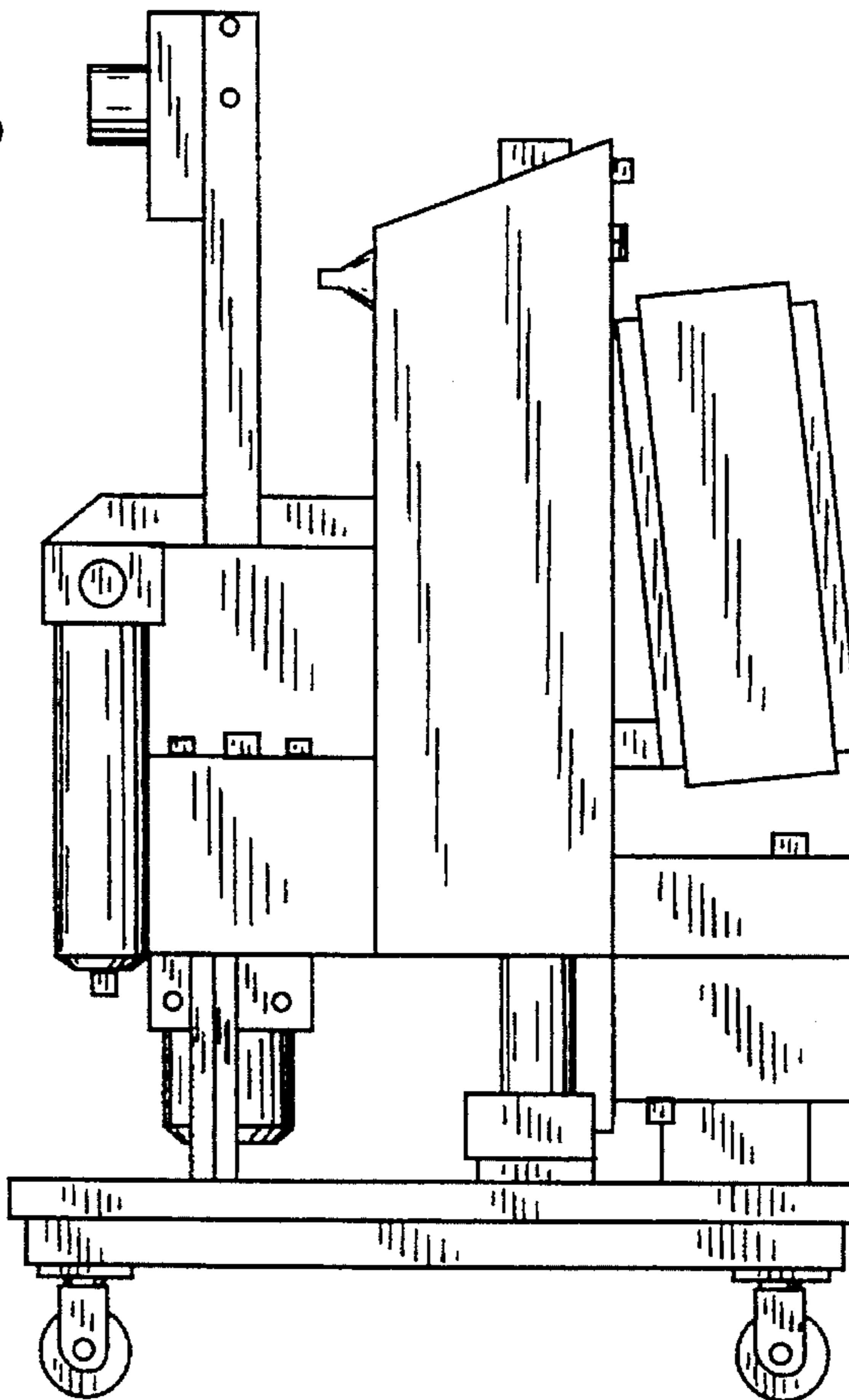


FIG. 6

