



US00D371431S

United States Patent [19]
Streit

[11] **Patent Number: Des. 371,431**

[45] **Date of Patent: **Jul. 2, 1996**

[54] **CONNECTOR FOR TUBE**

5,358,286 10/1994 Eaton et al. 285/419 X

[75] Inventor: **Bernard Streit**, Anteuil, France

Primary Examiner—Louis S. Zarfes
Assistant Examiner—Eric Watterson
Attorney, Agent, or Firm—Merchant, Gould, Smith, Edell,
Welter & Schmidt

[73] Assignee: **Sofanou S.A.**, Clerval, France

[**] Term: **14 Years**

[57] **CLAIM**

[21] Appl. No.: **18,616**

The ornamental design for a connector for tube, as shown.

[22] Filed: **Feb. 10, 1994**

DESCRIPTION

[30] **Foreign Application Priority Data**

Aug. 17, 1993 [FR] France 934337

[52] **U.S. Cl.** **D23/263**

[58] **Field of Search** D23/263-265;
285/156, 419, 903; 174/71 R, 135

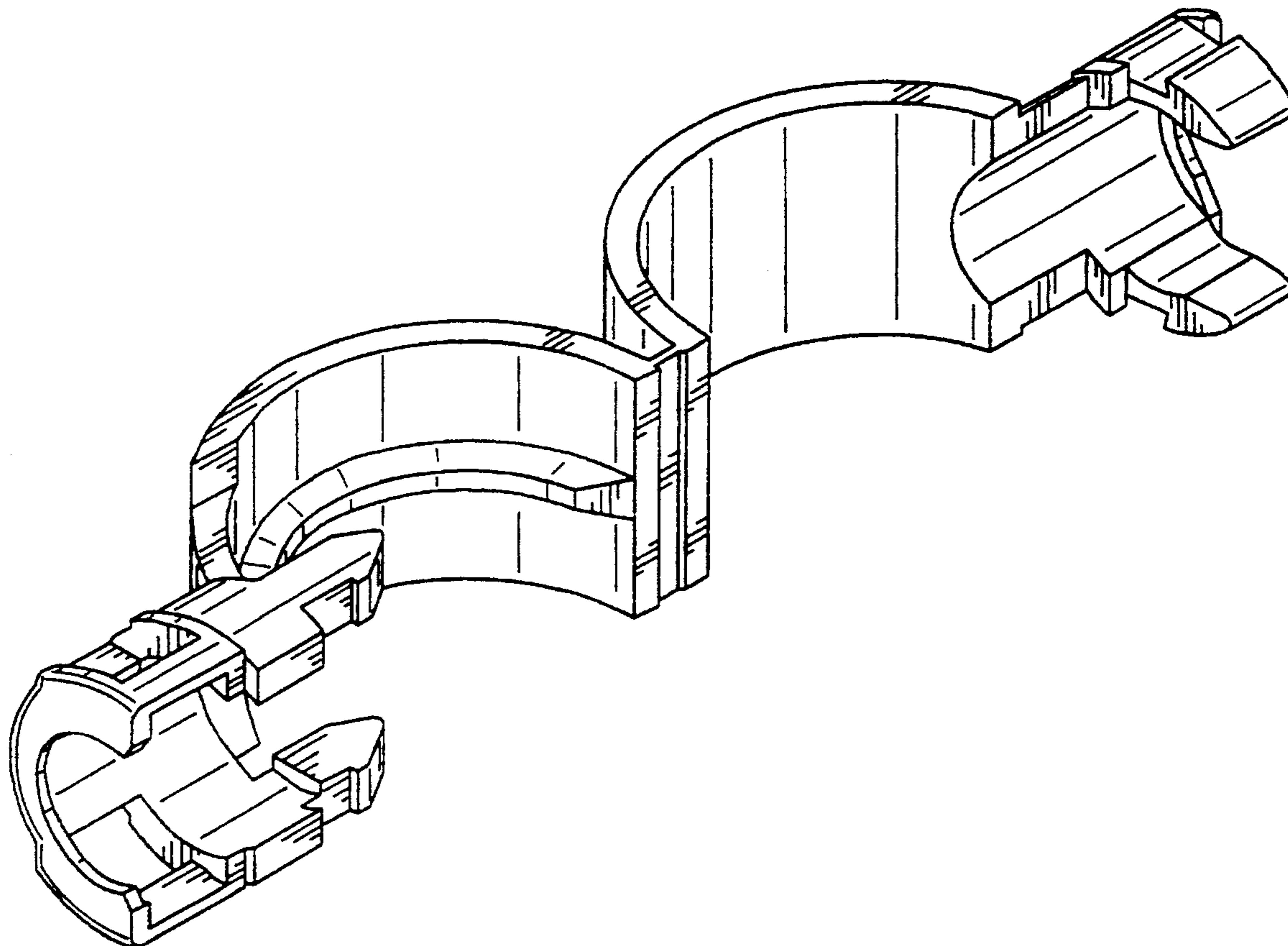
FIG. 1 is a perspective view of a connector for a tube showing my new design;
FIG. 2 is a view like FIG. 1 except taken from the bottom;
FIG. 3 is a view like FIG. 1 except viewed from the opposite end;
FIG. 4 is a top plan view;
FIG. 5 is an end view of one end;
FIG. 6 is a side plan view; and,
FIG. 7 is an end view opposite of FIG. 5.

[56] **References Cited**

U.S. PATENT DOCUMENTS

4,795,197 1/1989 Kaminski et al. 285/419 X
5,269,572 12/1993 Mefferd 285/419 X

1 Claim, 3 Drawing Sheets



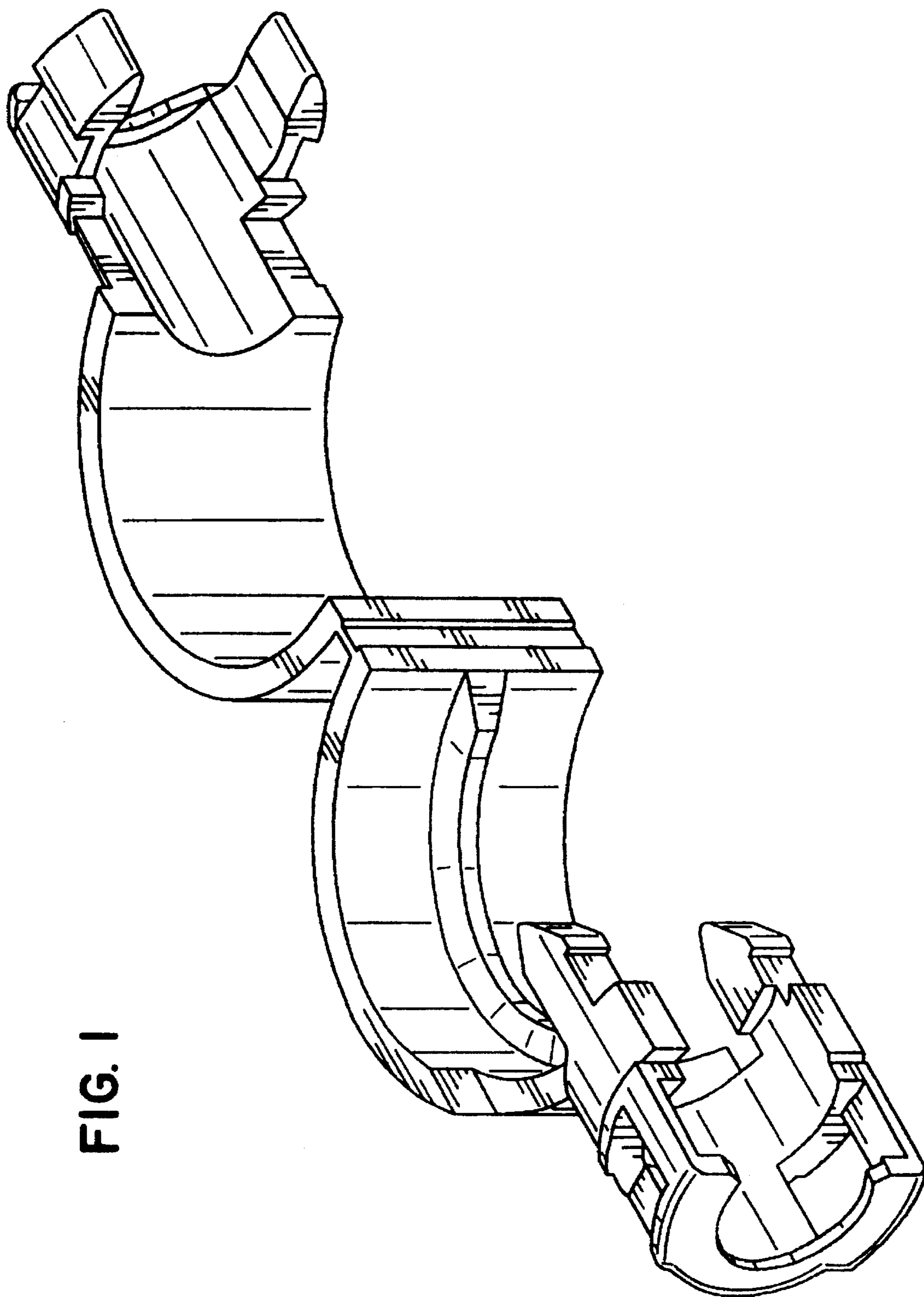


FIG. 1

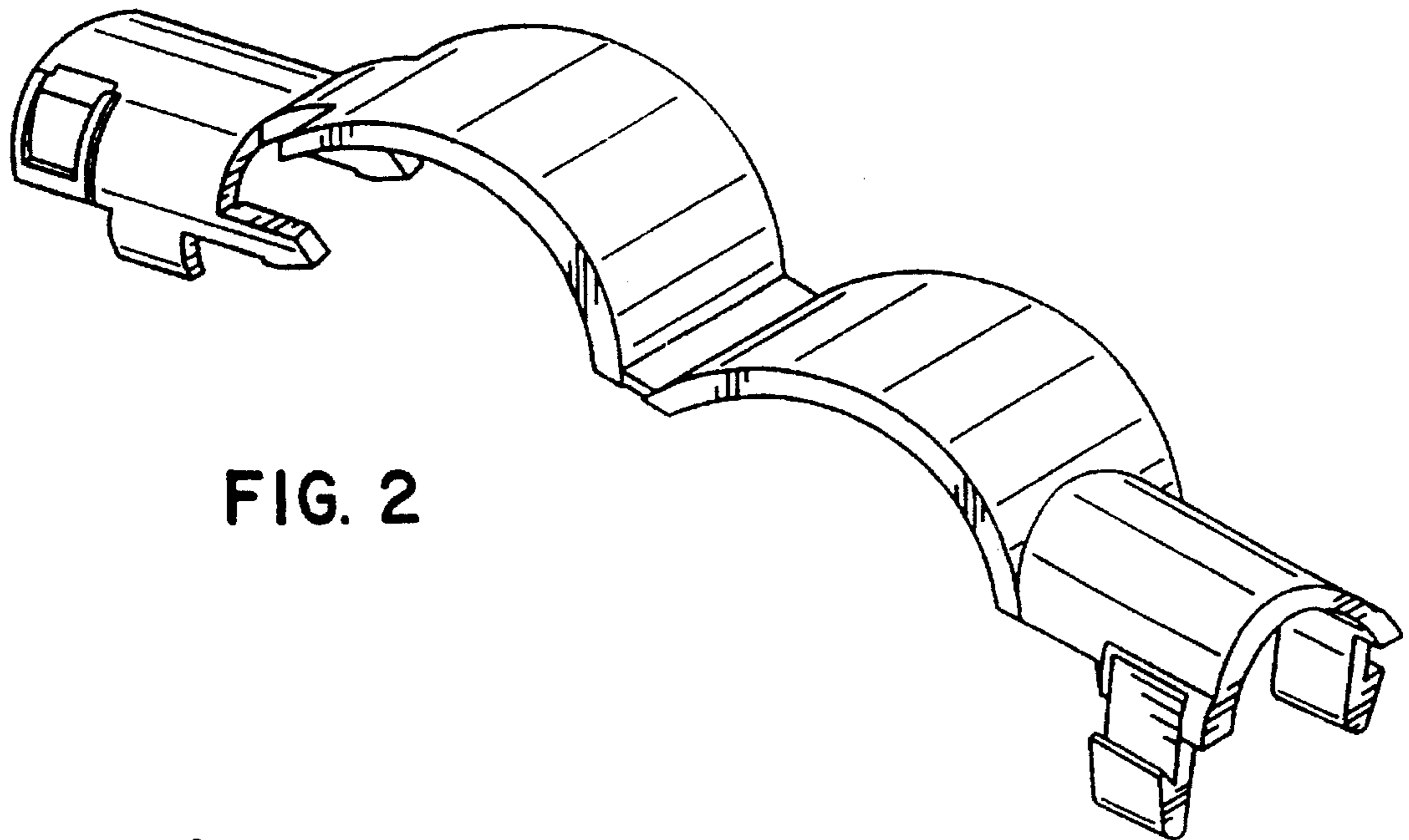


FIG. 2

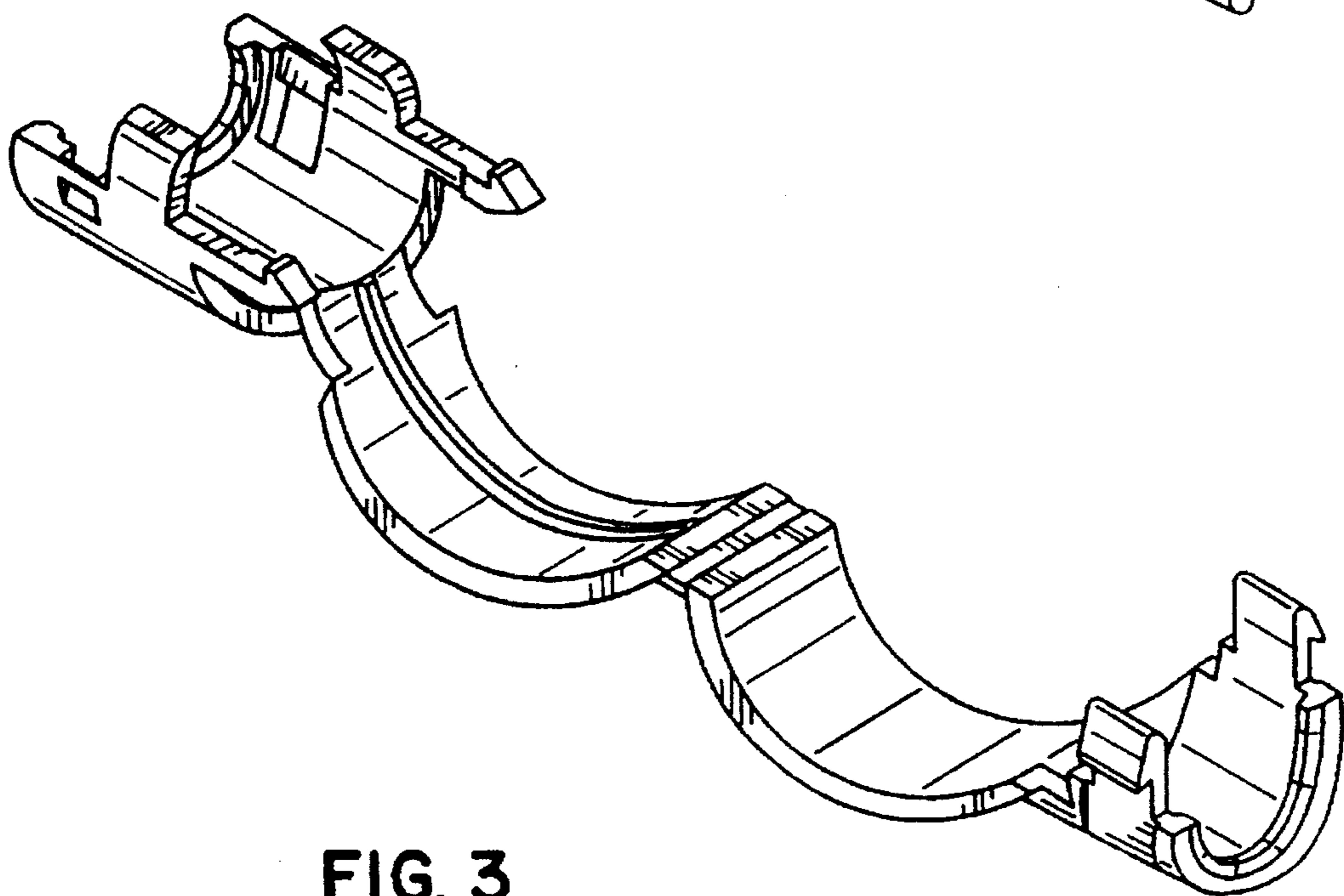


FIG. 3

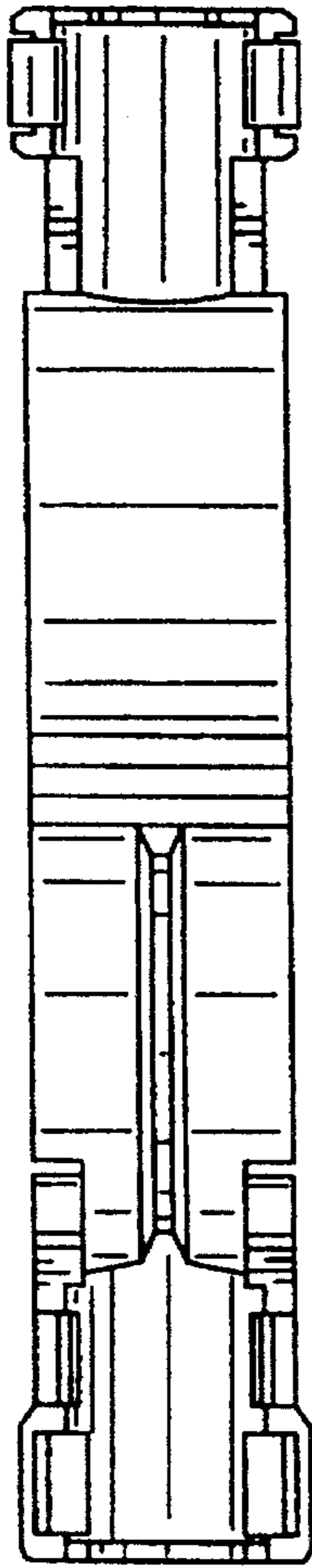


FIG. 4

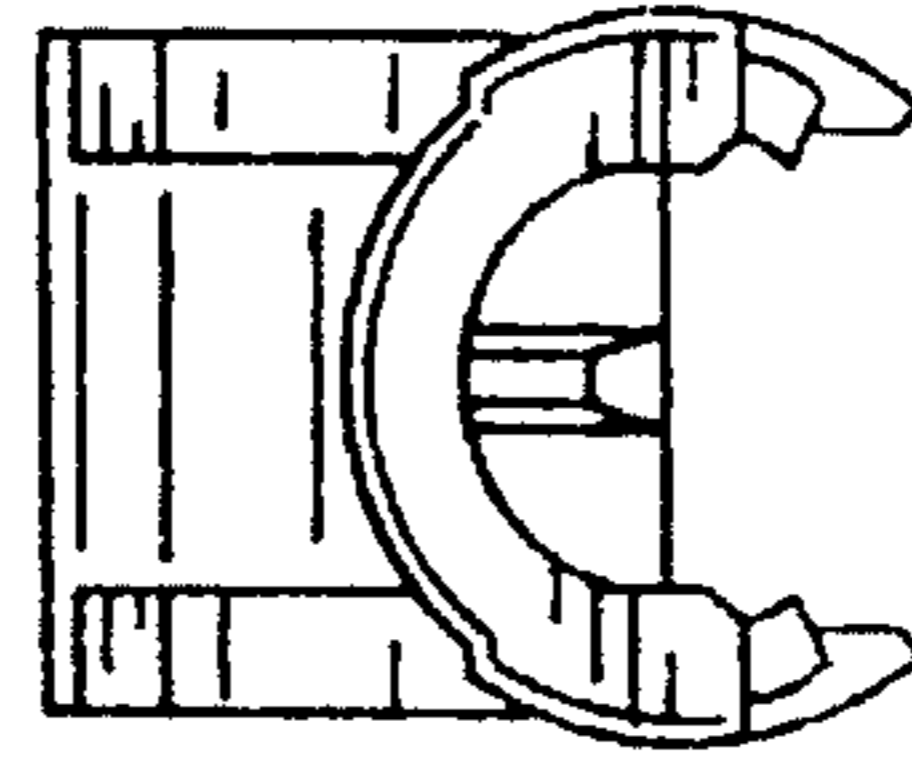


FIG. 7

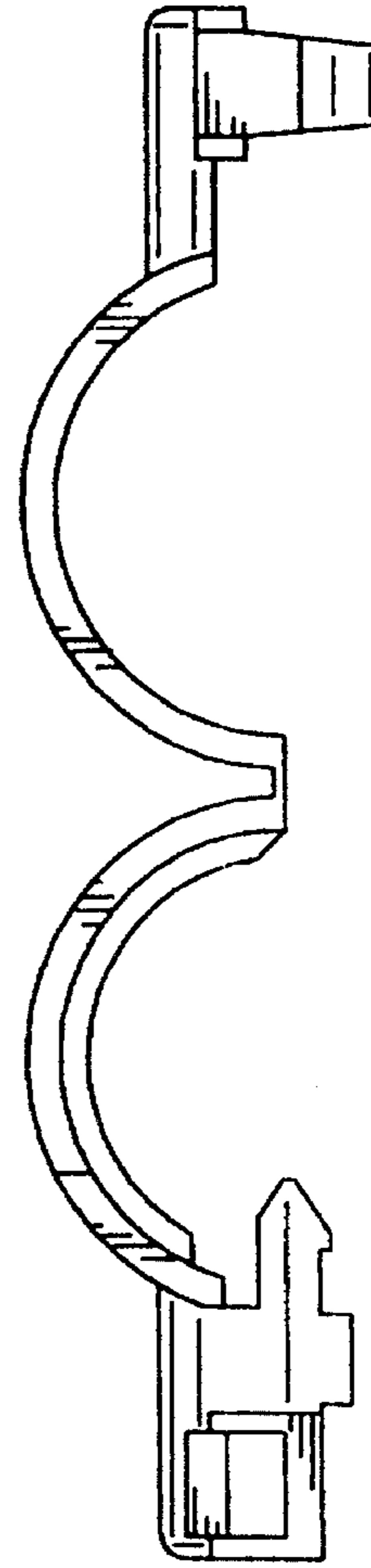


FIG. 6

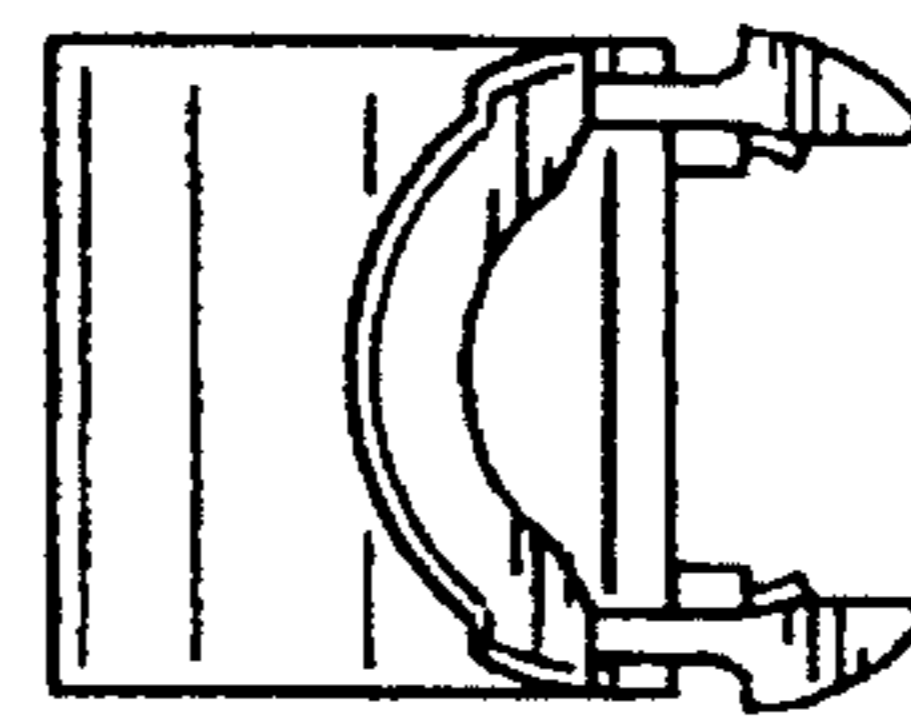


FIG. 5