



US00D371428S

United States Patent [19] Gottwald

[11] Patent Number: **Des. 371,428**

[45] Date of Patent: ****Jul. 2, 1996**

[54] FAUCET

[75] Inventor: **Adolf Gottwald**, Iserlohn, Germany

[73] Assignee: **Friedrich Grohe Aktiengesellschaft**, Hemer, Germany

[**] Term: **14 Years**

[21] Appl. No.: **37,424**

[22] Filed: **Apr. 12, 1995**

[30] Foreign Application Priority Data

Oct. 31, 1994 [DE] Germany M9408465.3

[52] U.S. Cl. **D23/238**

[58] Field of Search D23/238-243,
D23/250-258; 4/623, 675-678; 137/801

[56] References Cited

U.S. PATENT DOCUMENTS

D. 219,739 1/1971 Niemann D23/238

D. 343,227 1/1994 Dannenberg et al. D23/238
4,827,538 5/1989 Heimann et al. 4/577
5,361,431 11/1994 Frier et al. 4/677

Primary Examiner—Louis S. Zarfes
Assistant Examiner—Eric Watterson
Attorney, Agent, or Firm—Herbert Dubno

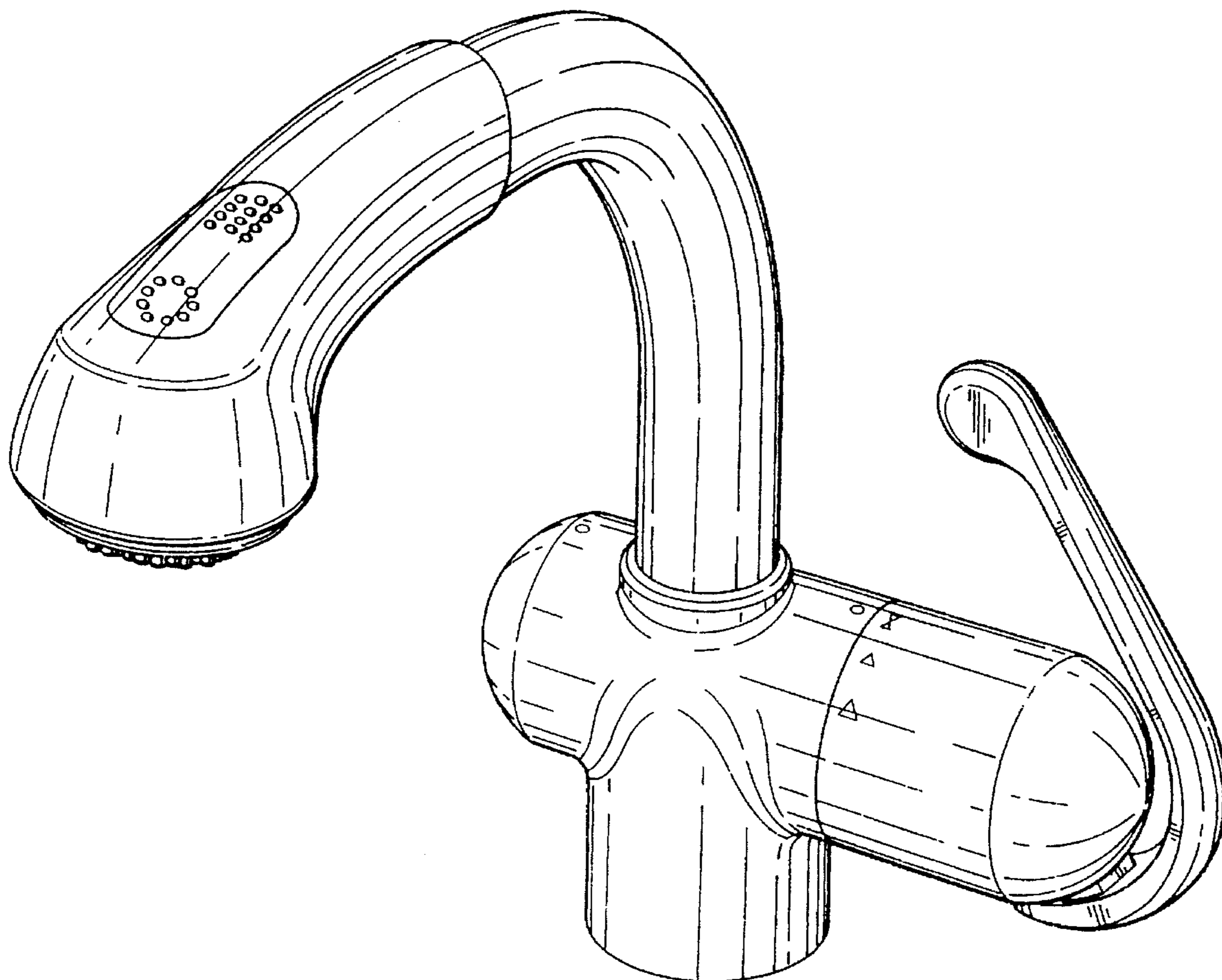
[57] CLAIM

The ornamental design for a faucet, as shown.

DESCRIPTION

FIG. 1 is a top, front, right-side perspective view of a faucet showing my new design;
FIG. 2 is a right side elevational view thereof;
FIG. 3 is a left side elevational view thereof;
FIG. 4 is a front view thereof;
FIG. 5 is a rear view thereof;
FIG. 6 is a top view thereof; and,
FIG. 7 is a bottom view thereof.

1 Claim, 7 Drawing Sheets



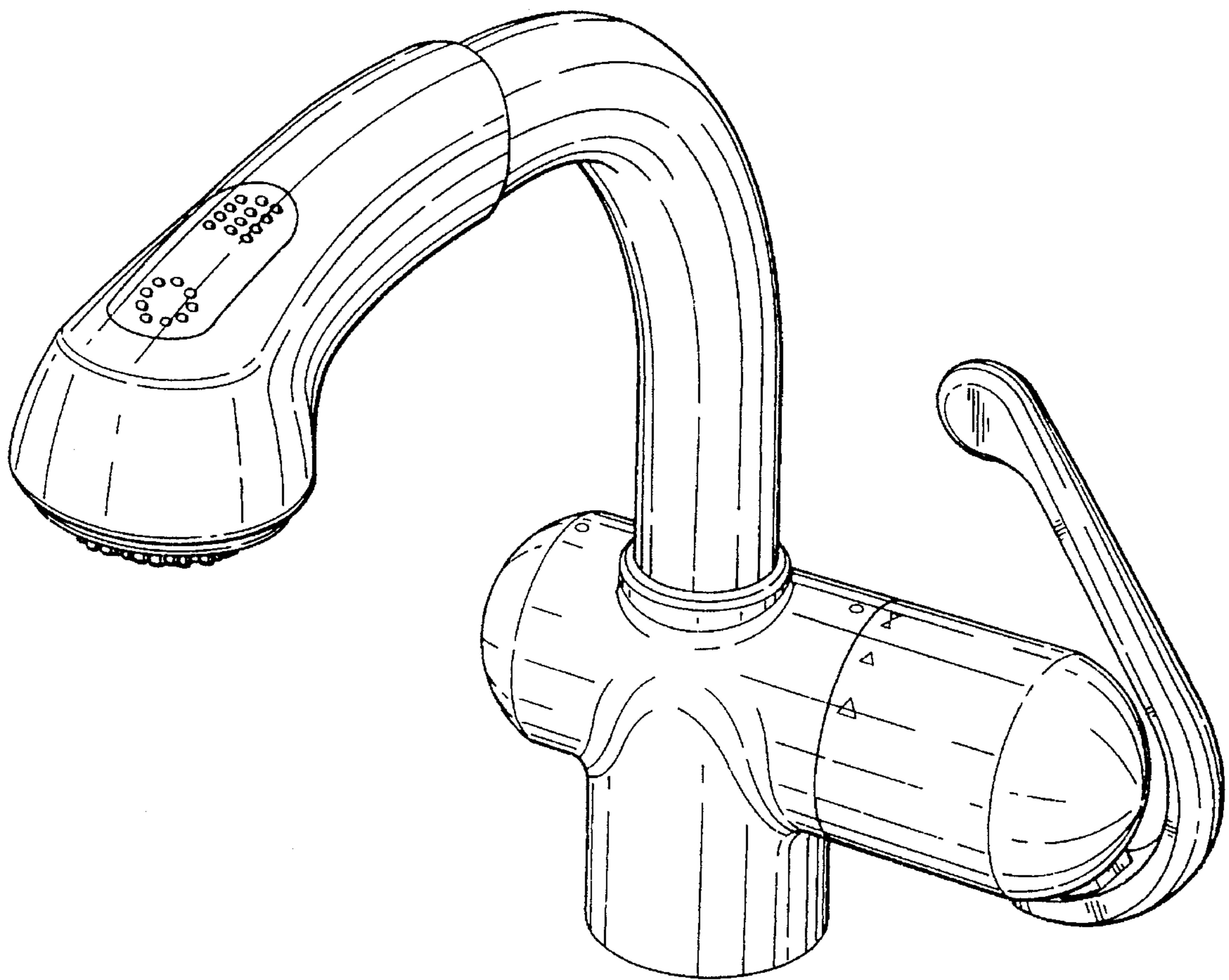


FIG. 1

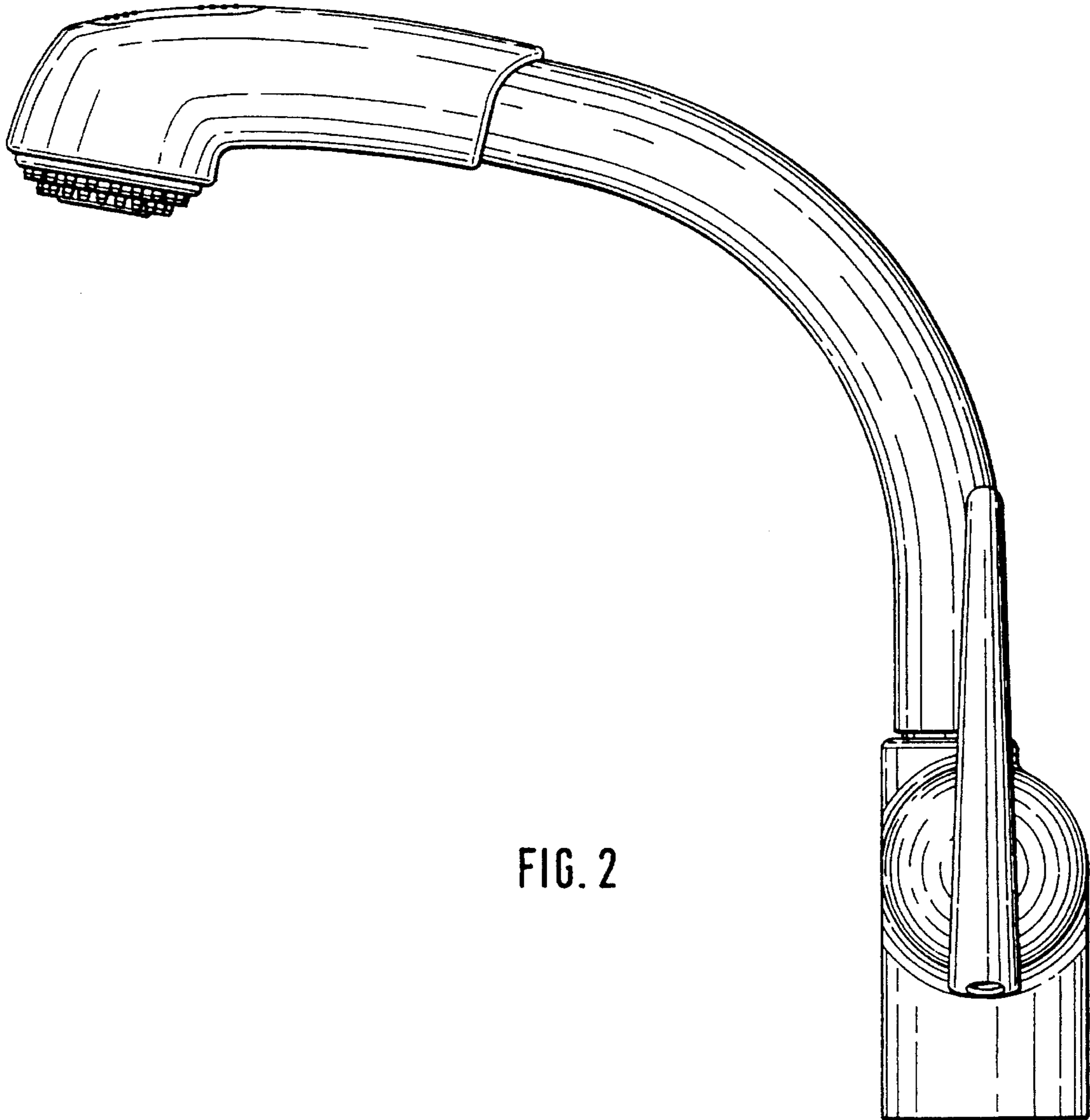


FIG. 2

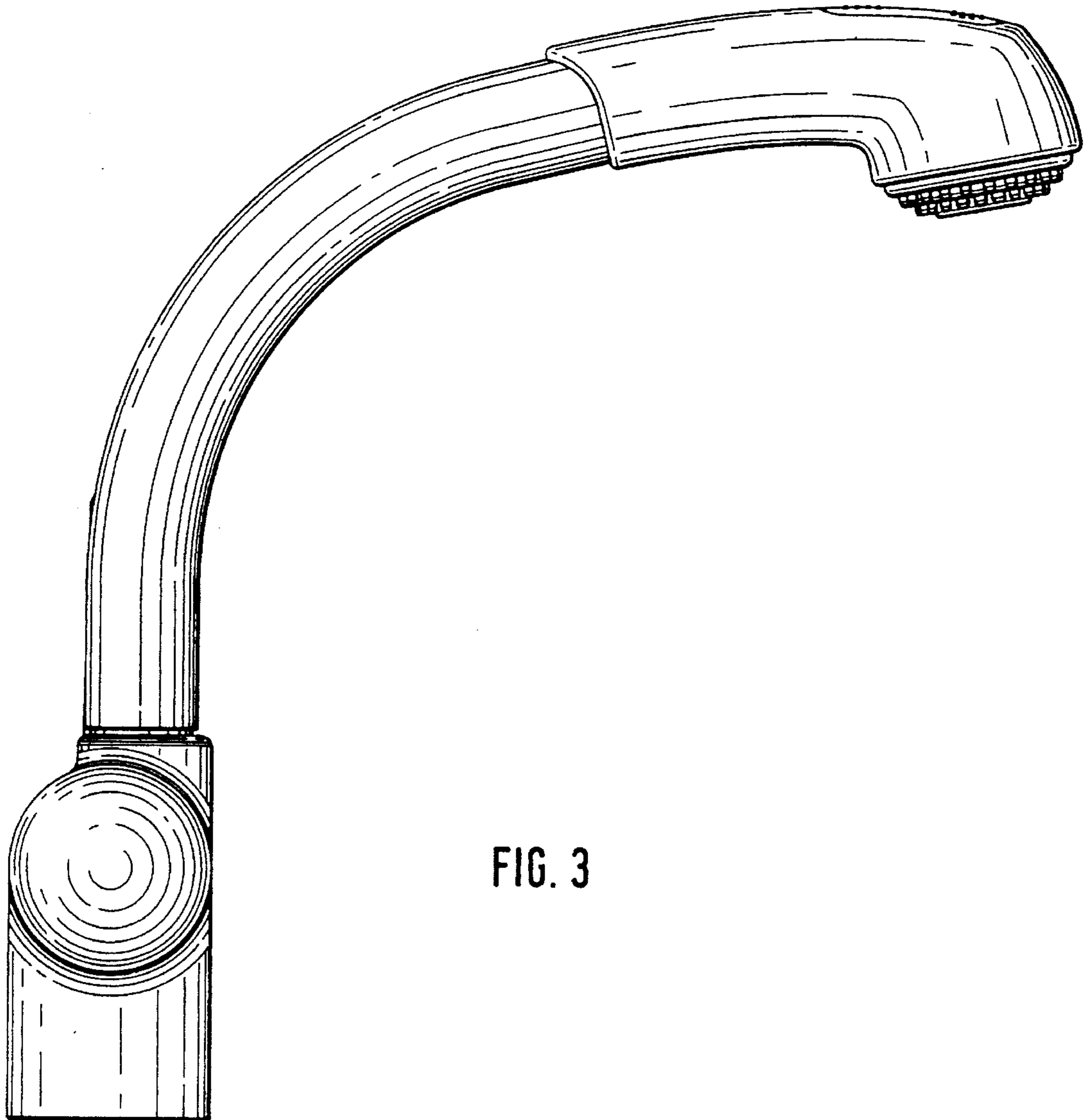


FIG. 3

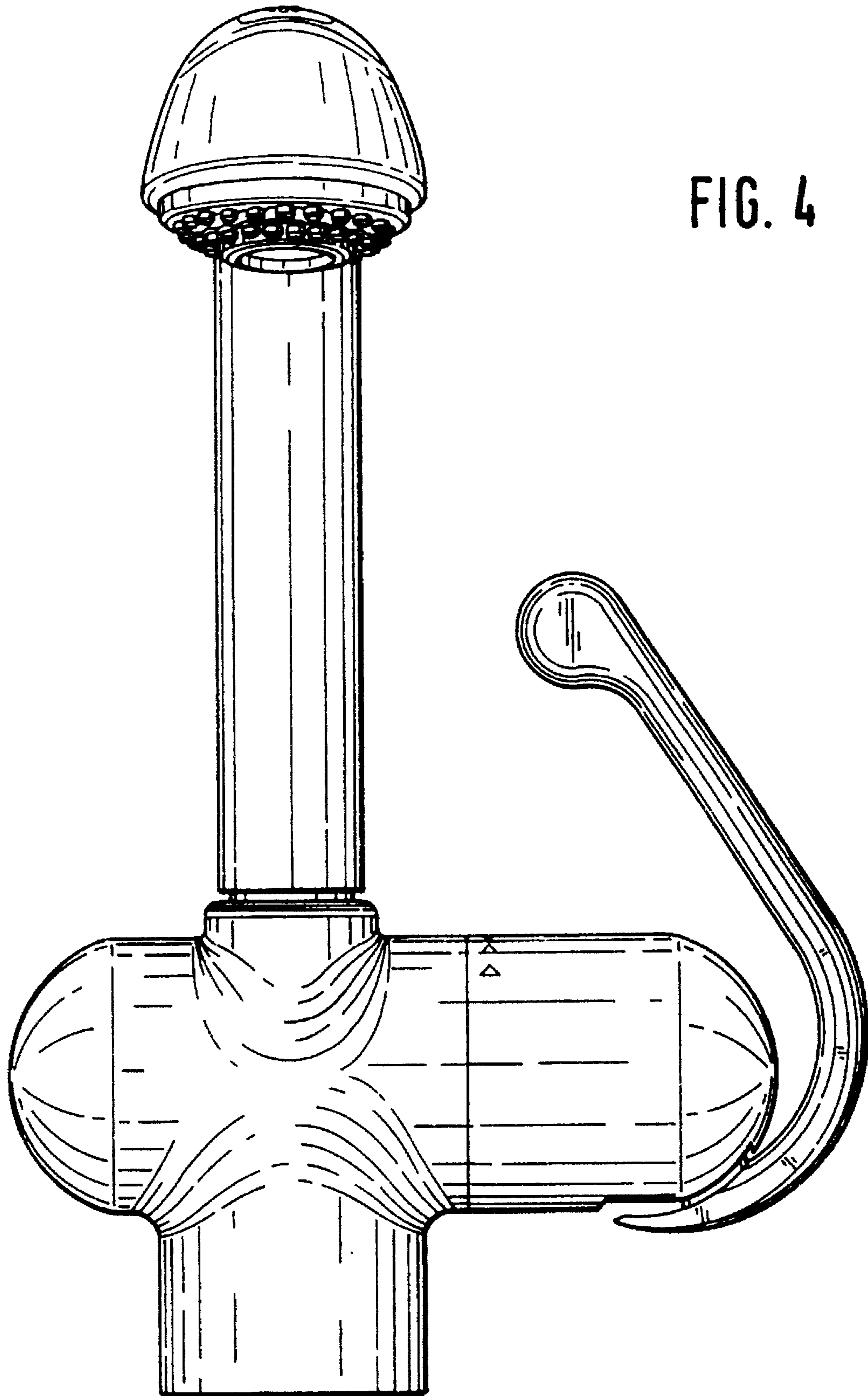
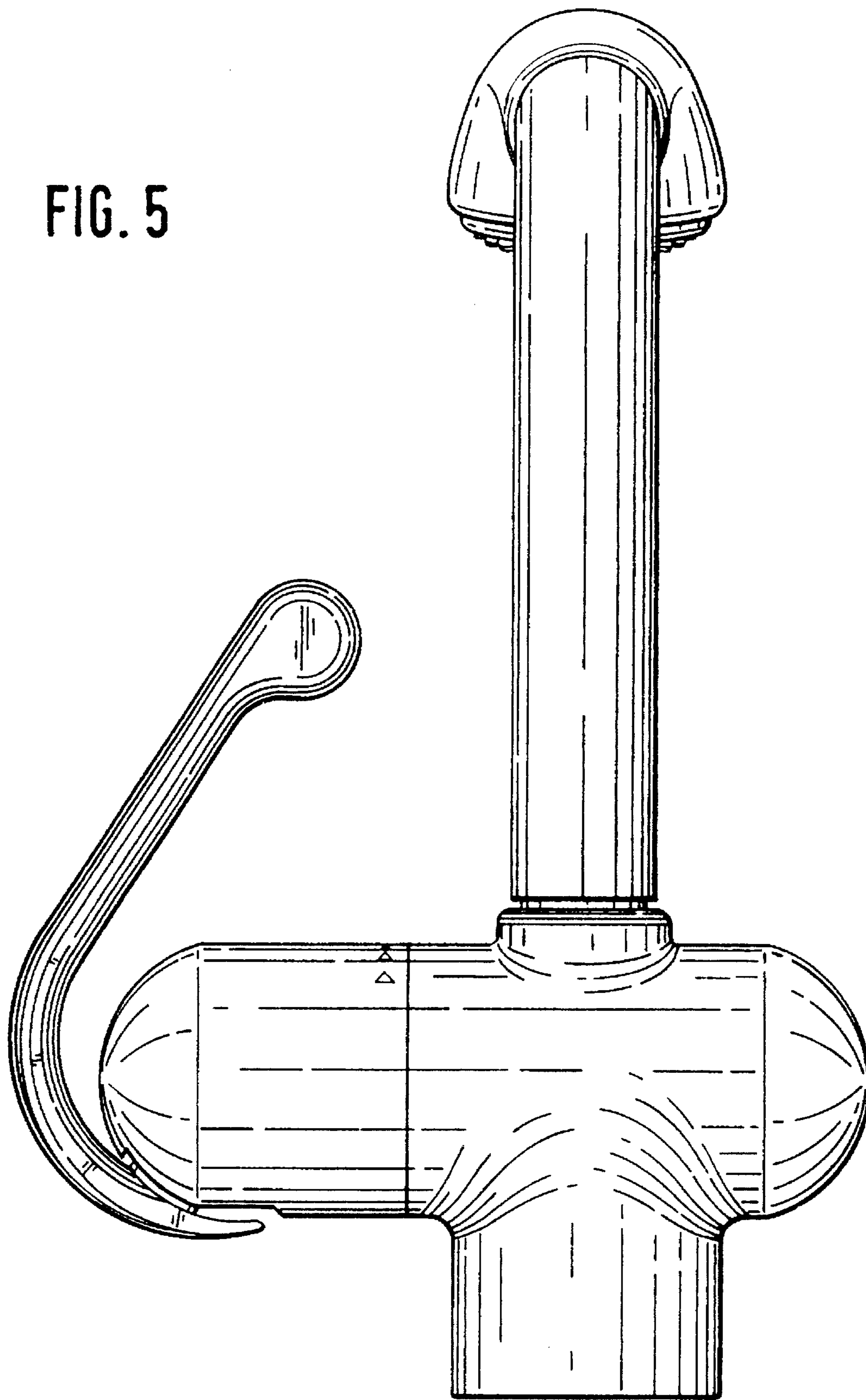


FIG. 4

FIG. 5



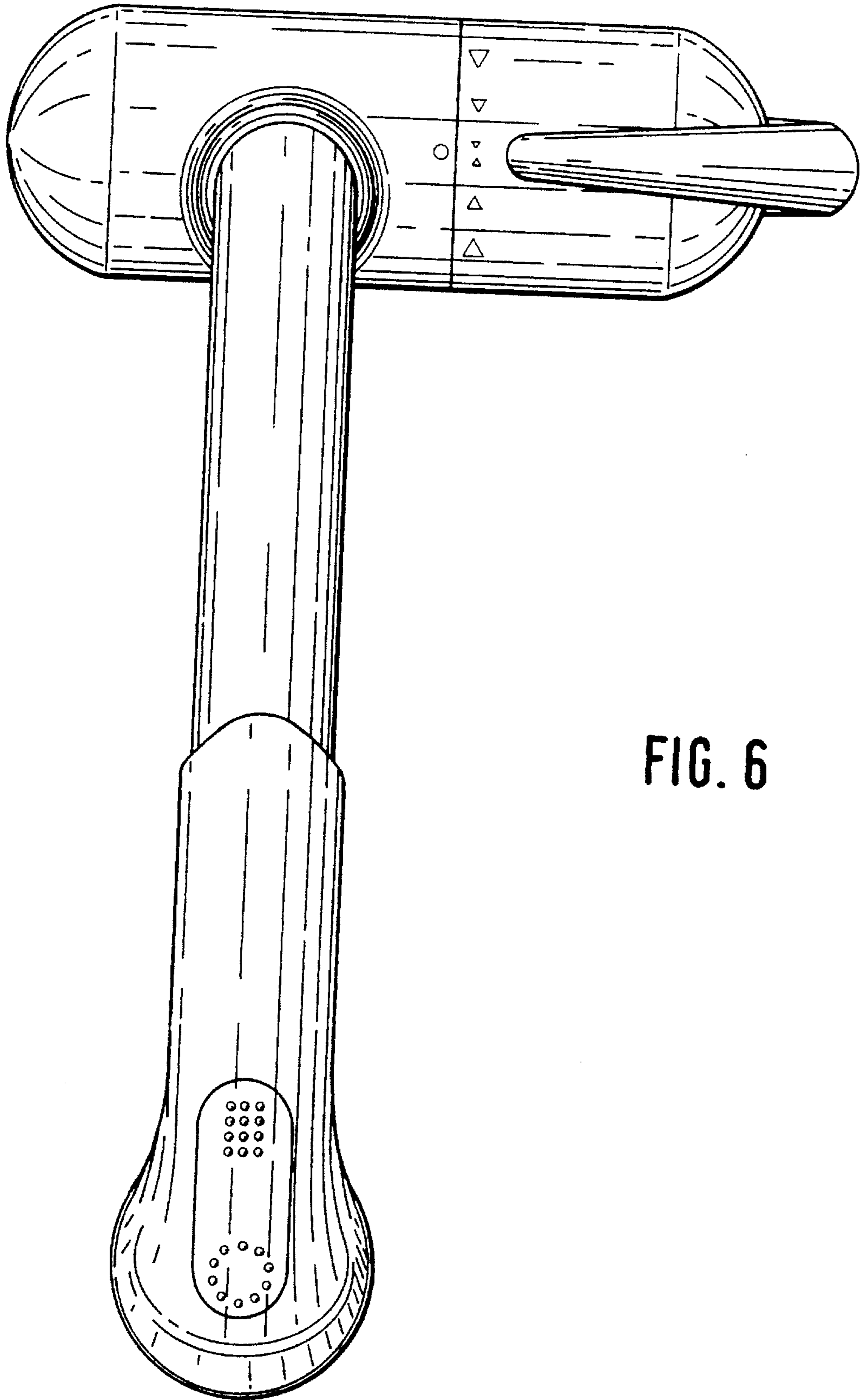


FIG. 6

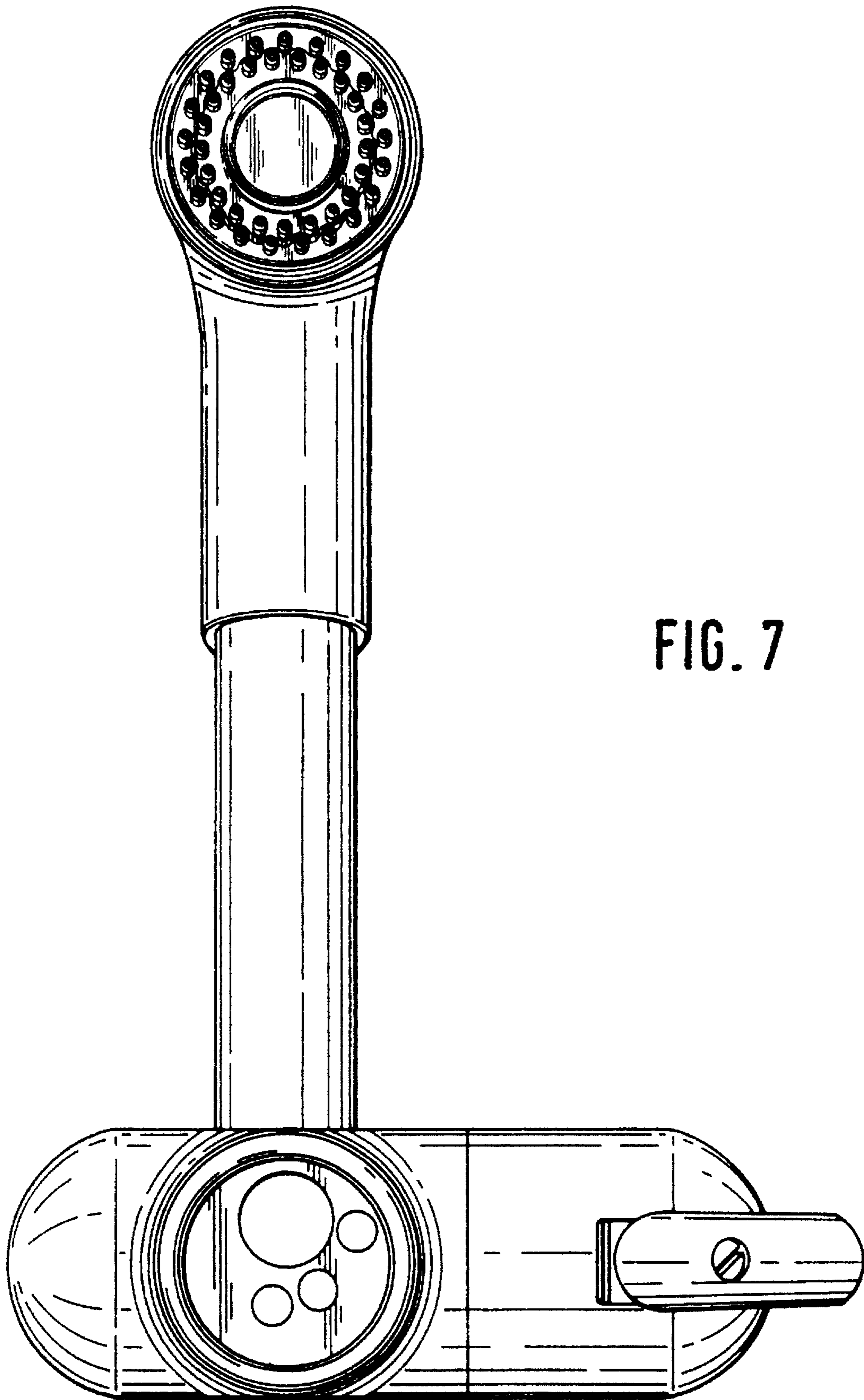


FIG. 7