



US00D371427S

United States Patent [19]

[11] Patent Number: **Des. 371,427**

Harris et al.

[45] Date of Patent: ****Jul. 2, 1996**

[54] **VAPOR RECOVERY FUEL NOZZLE DEFLECTOR**

2,111,031	3/1983	Newton	137/379 X
2,653,747	9/1953	Maida	137/379 X
3,016,928	1/1962	Brandt	141/45
3,710,830	1/1973	Gilson	141/93
4,003,415	1/1977	Lasater	141/392 X
5,301,721	4/1994	Hartmann	141/59
5,365,985	11/1994	Todd et al.	141/392

[75] Inventors: **David J. Harris**, Roanoke; **Thomas L. Claussen**; **John J. VanDaele**, both of Fort Wayne, all of Ind.

[73] Assignee: **Tokheim Corporation**, Fort Wayne, Ind.

Primary Examiner—James M. Gandy
Assistant Examiner—Cynthia E. Ramirez
Attorney, Agent, or Firm—Baker & Daniels

[**] Term: **14 Years**

[57] CLAIM

[21] Appl. No.: **35,517**

The ornamental design for a vapor recovery fuel nozzle deflector, as shown and described.

[22] Filed: **Mar. 1, 1995**

[52] U.S. Cl. **D23/227**

DESCRIPTION

[58] Field of Search D23/213, 227;
141/392; 137/377, 379; 239/288, 288.3,
288.5

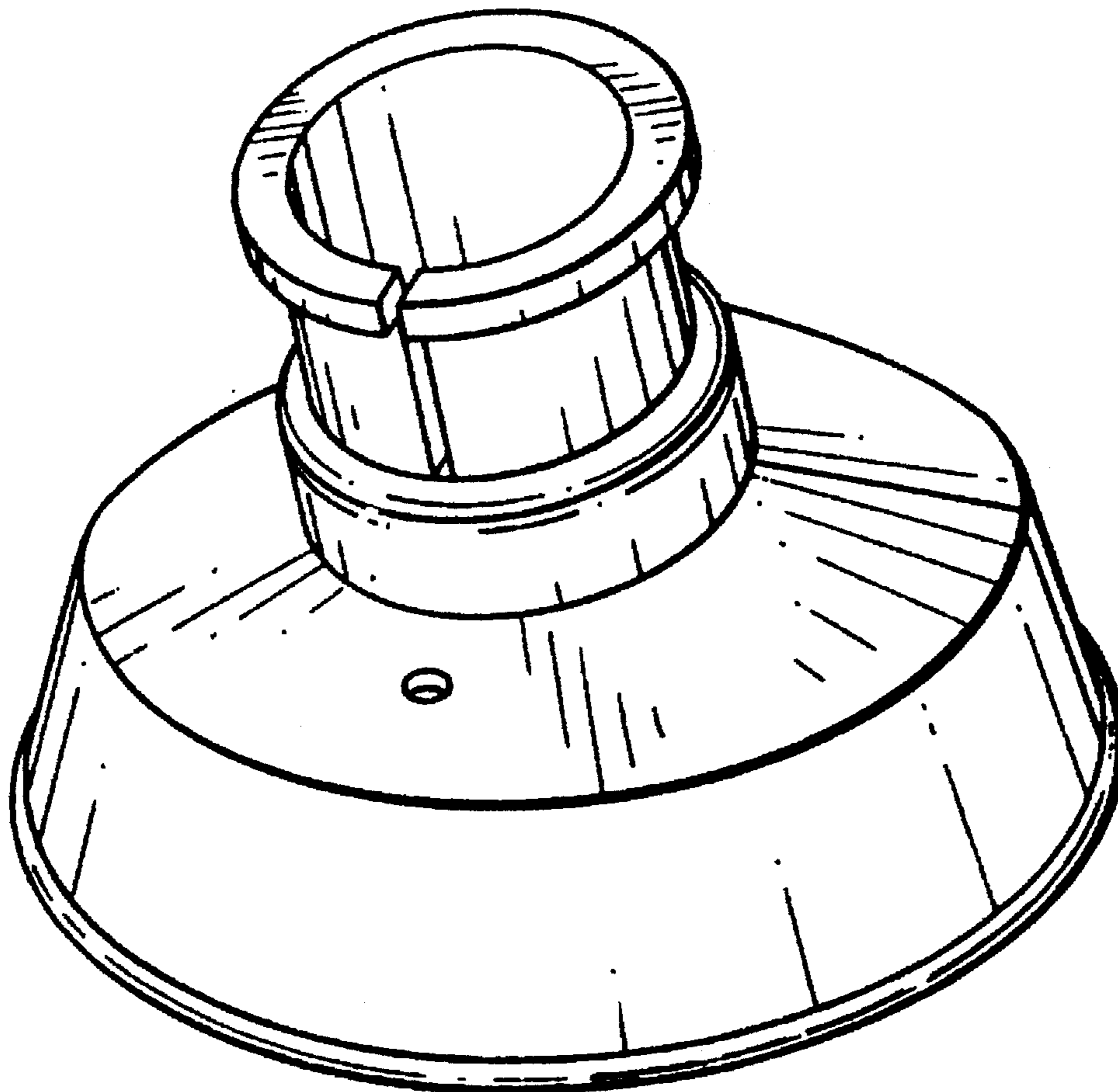
FIG. 1 is a rear perspective view of the vapor recovery fuel nozzle deflector showing our new design;
FIG. 2 is a side view thereof with the opposite side being a mirror image thereof;
FIG. 3 is a front elevational view thereof;
FIG. 4 is a rear perspective view thereof;
FIG. 5 is a top plan view thereof; and,
FIG. 6 is a bottom view thereof.

[56] References Cited

U.S. PATENT DOCUMENTS

D. 121,293	7/1940	Brown	D23/213
D. 318,900	8/1991	Zarinfar	D23/213
D. 320,432	10/1991	Graf et al.	D23/213
2,047,580	7/1936	Dewey	137/379 X
2,058,118	10/1936	White	137/379 X

1 Claim, 1 Drawing Sheet



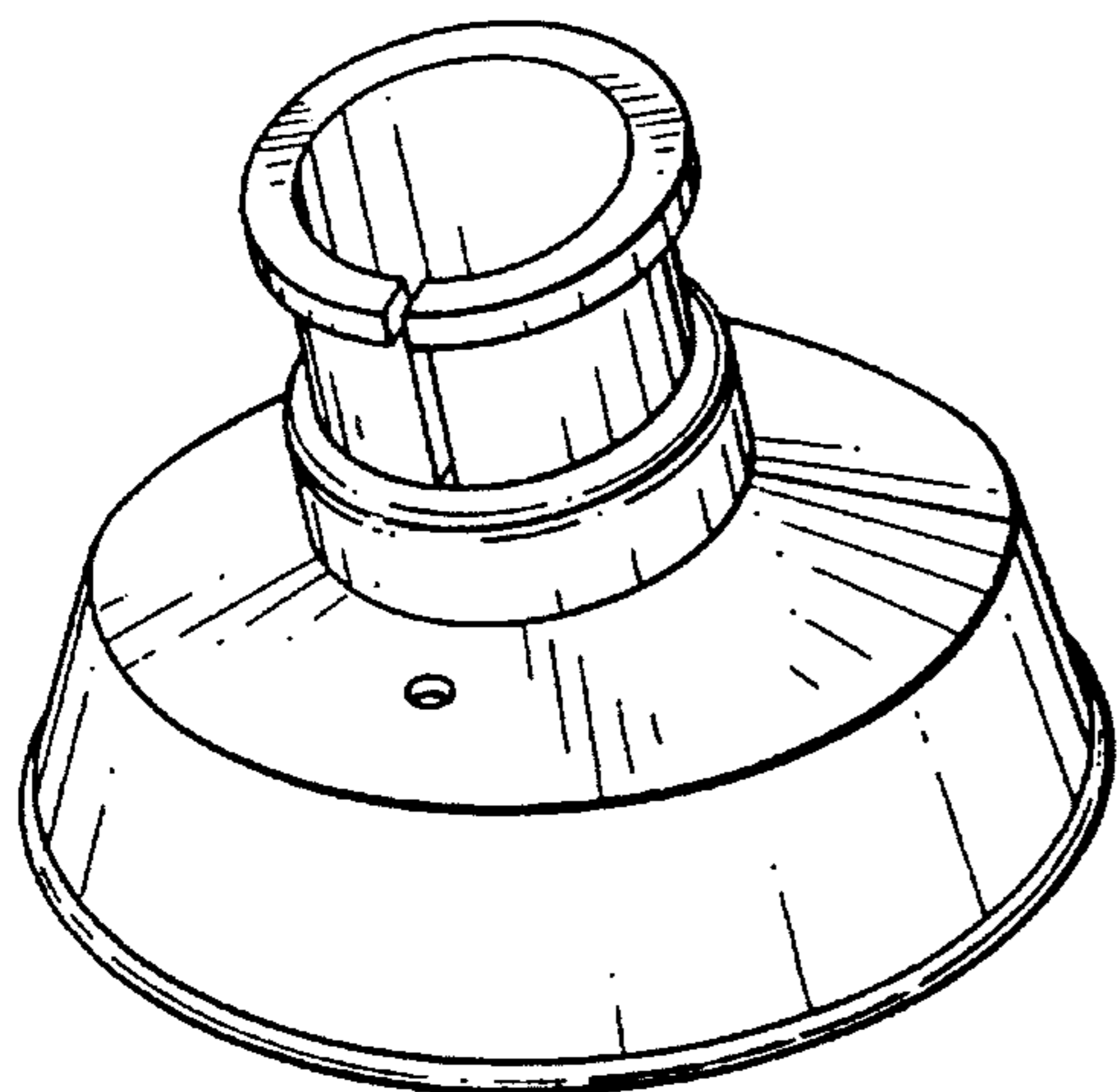


FIG. 1

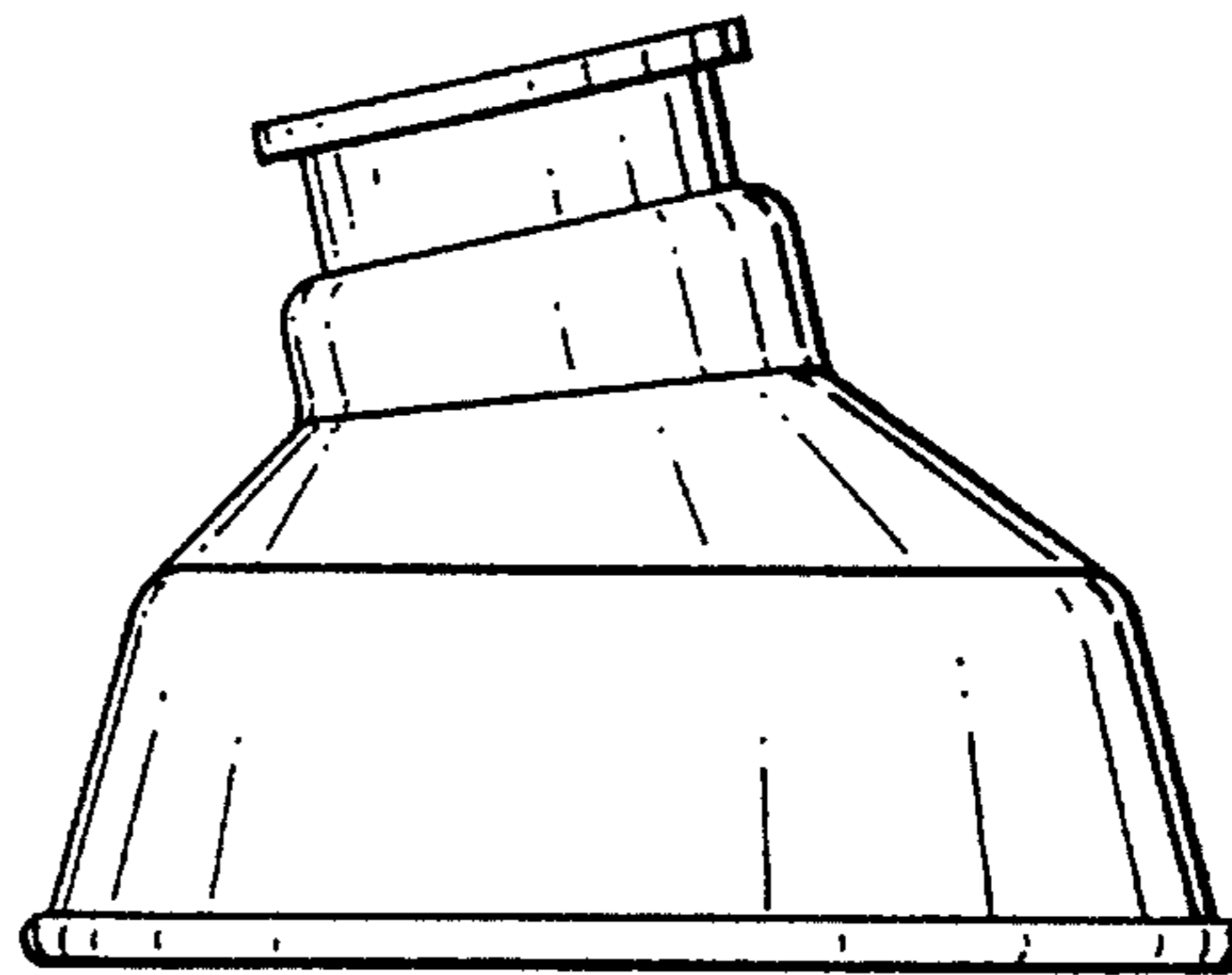


FIG. 2

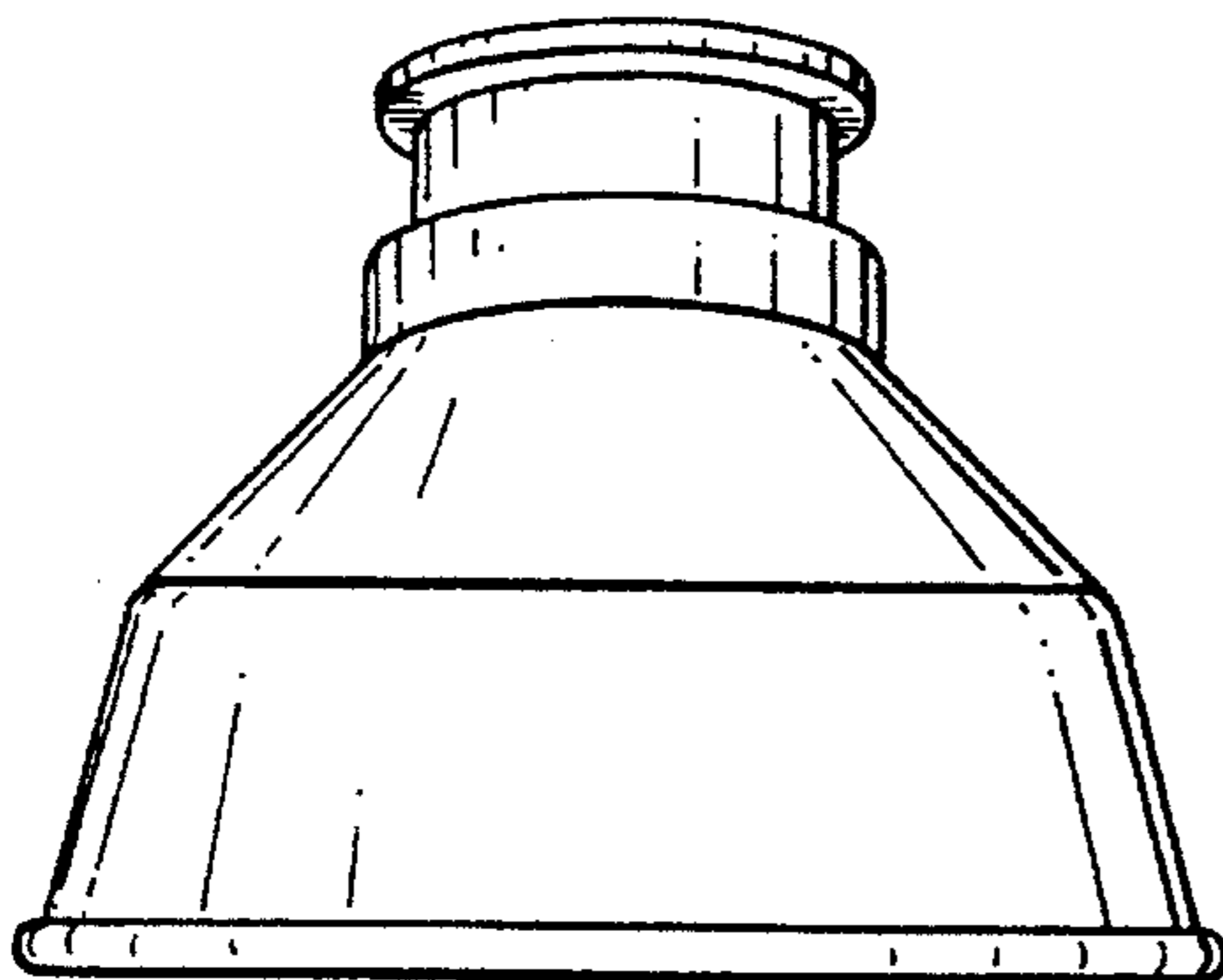


FIG. 3

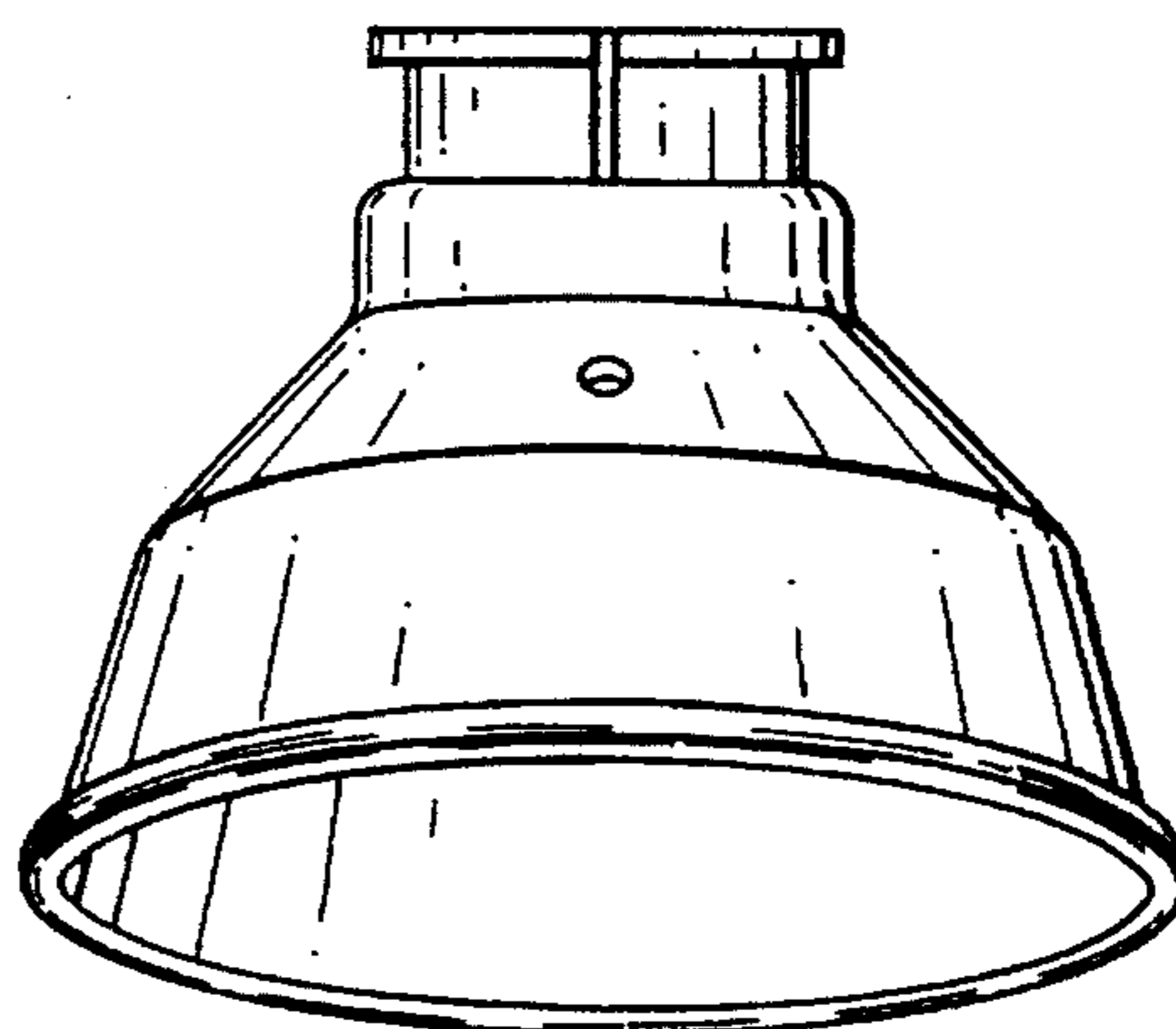


FIG. 4

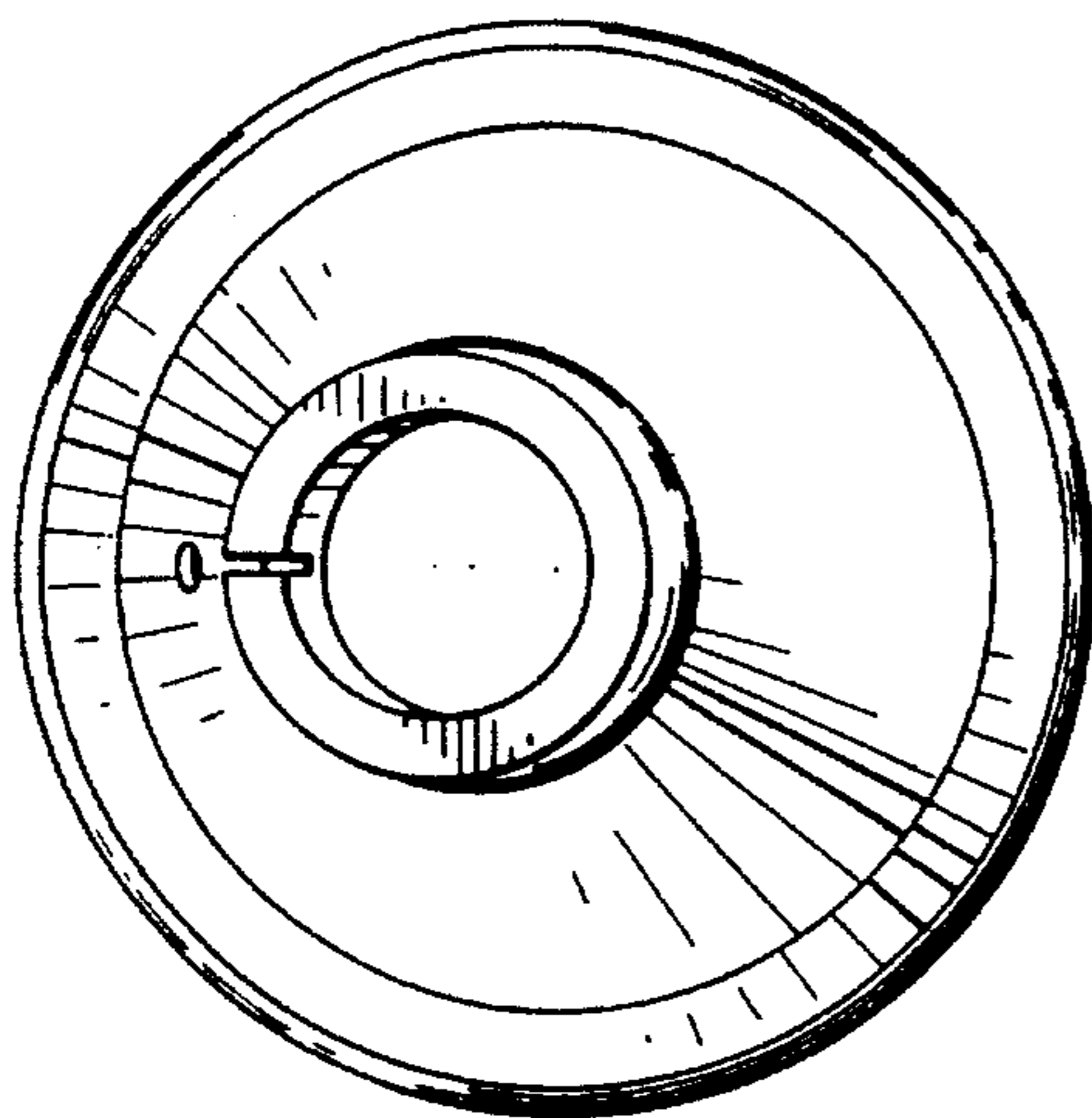


FIG. 5

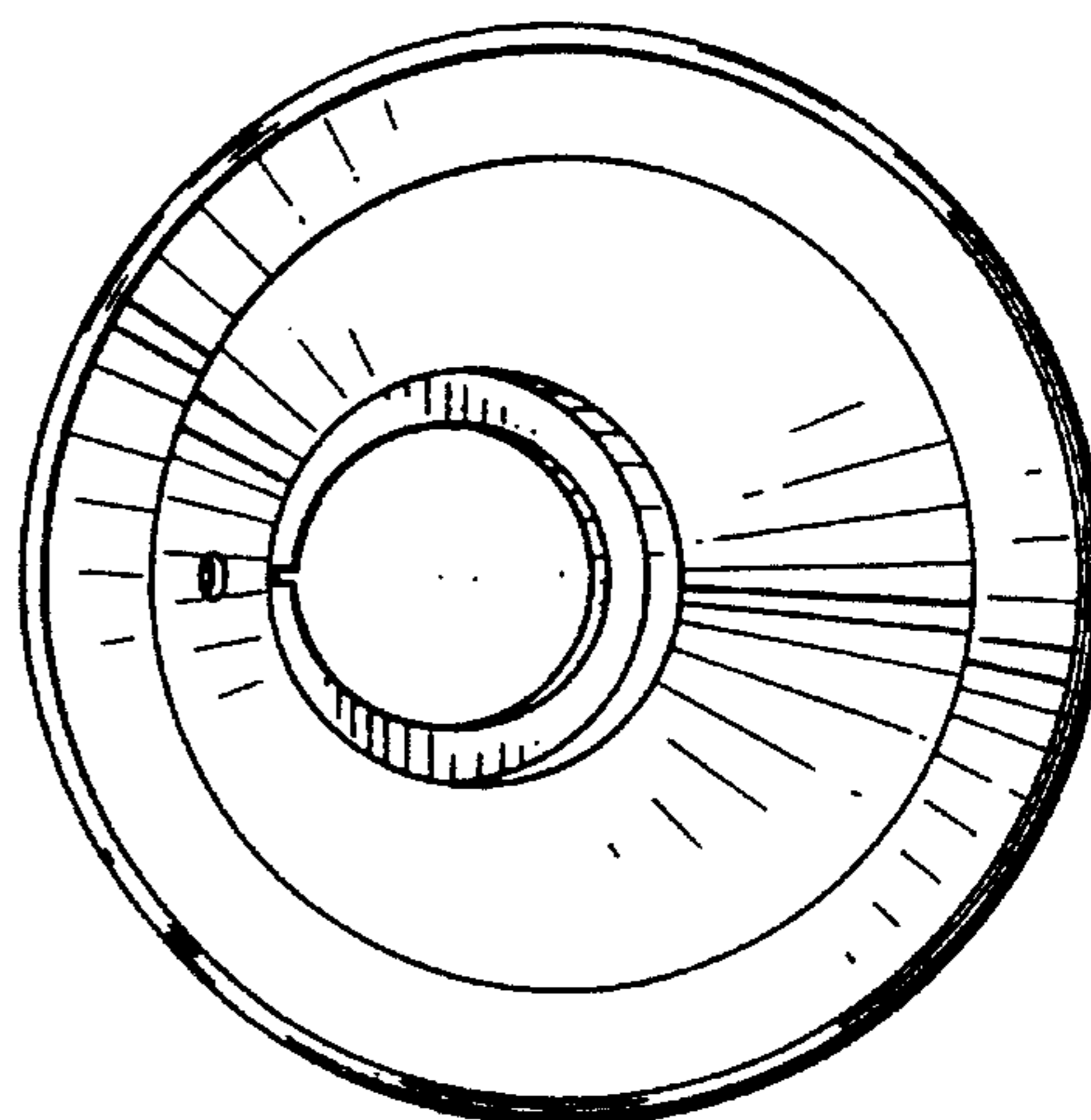


FIG. 6