



US00D371425S

United States Patent [19]
Anderson

[11] **Patent Number:** **Des. 371,425**
[45] **Date of Patent:** ****Jul. 2, 1996**

[54] **POND FILTER**

5,294,335 3/1994 Chiang 210/169

[76] Inventor: **James L. Anderson**, 1105 Holly La.,
Burnsville, Minn. 55337

Primary Examiner—James M. Gandy
Assistant Examiner—Robin V. Taylor
Attorney, Agent, or Firm—Nawrocki, Rooney & Sivertson

[**] Term: **14 Years**

[57] **CLAIM**

[21] Appl. No.: **39,165**

The ornamental design for a pond filter, as shown and described.

[22] Filed: **May 22, 1995**

[52] U.S. Cl. **D23/210**

[58] Field of Search D23/200, 209,
D23/210; 210/167, 169, 416.1, 416.2, 448,
452

DESCRIPTION

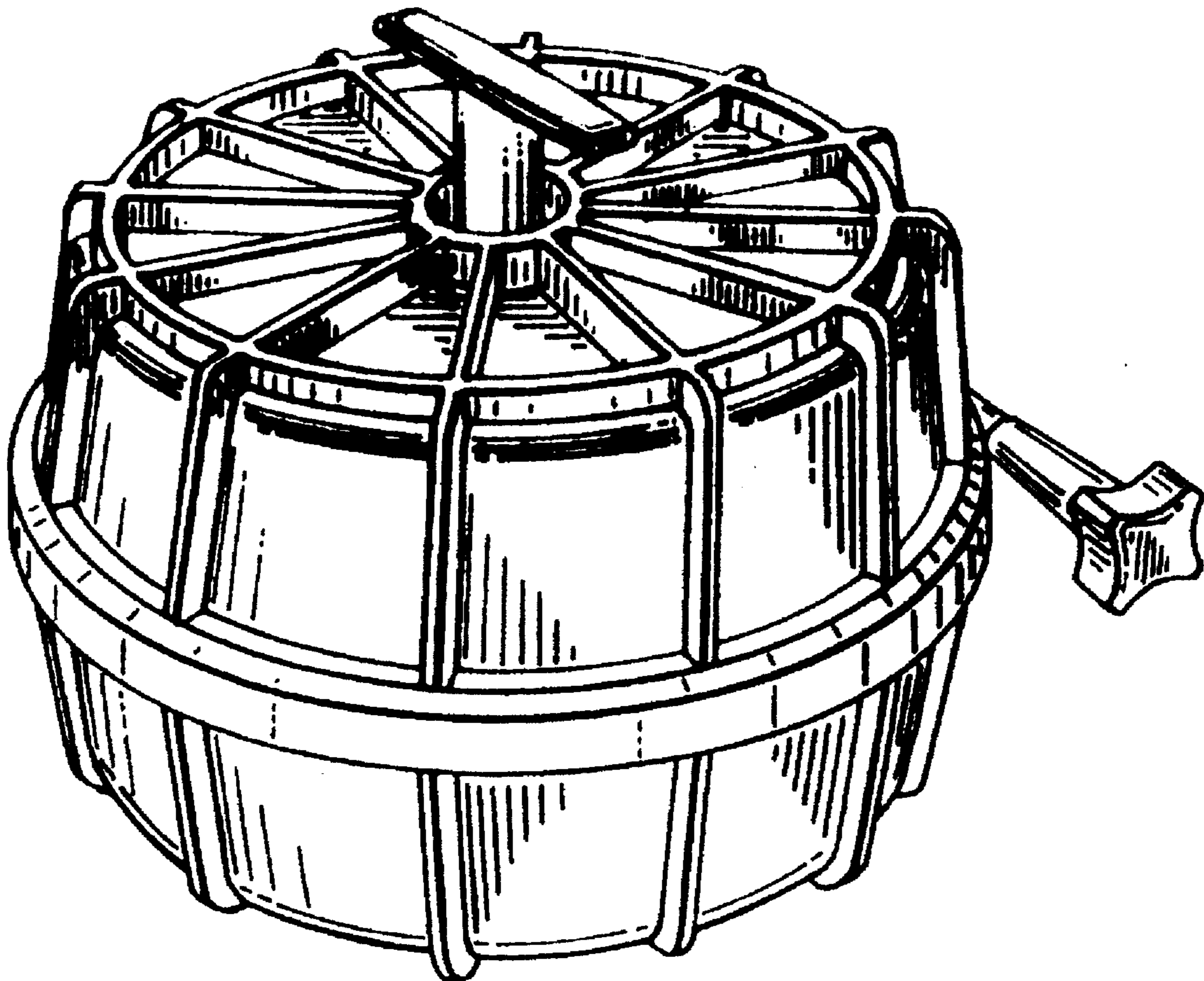
FIG. 1 is a perspective view of a pond filter showing my new design;
FIG. 2 is a top view thereof;
FIG. 3 is a bottom view thereof;
FIG. 4 is a front view thereof;
FIG. 5 is a right side view thereof;
FIG. 6 is a left side view thereof; and,
FIG. 7 is a back view thereof.

[56] **References Cited**

U.S. PATENT DOCUMENTS

| | | | | |
|------------|---------|-----------|-------|---------|
| D. 280,658 | 9/1985 | Willinger | | D23/210 |
| D. 307,461 | 4/1990 | Kim | | D23/209 |
| D. 340,505 | 10/1993 | Anderson | | D23/209 |
| 4,552,657 | 11/1985 | Ogawa | | 210/169 |

1 Claim, 2 Drawing Sheets



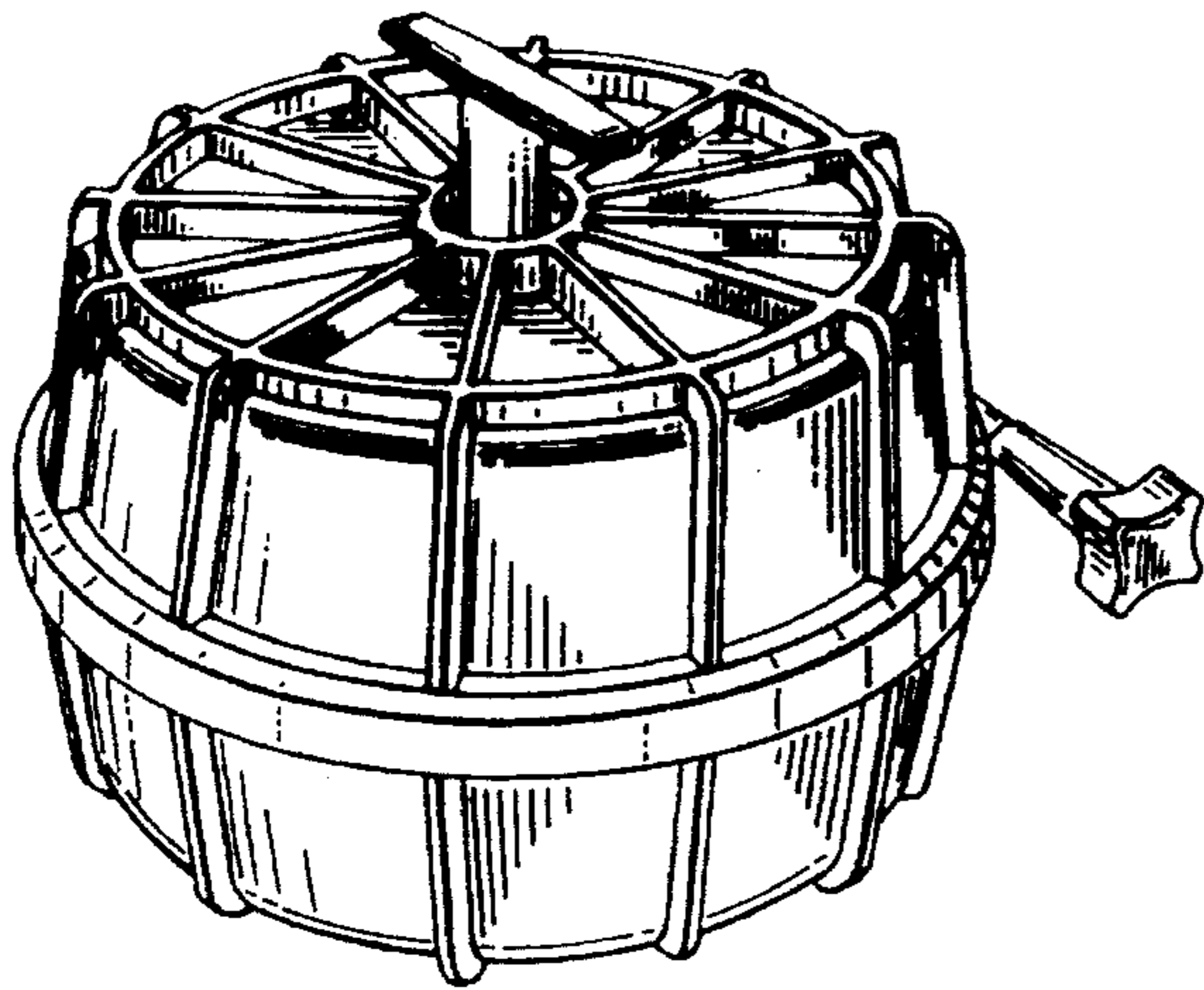


Fig 1

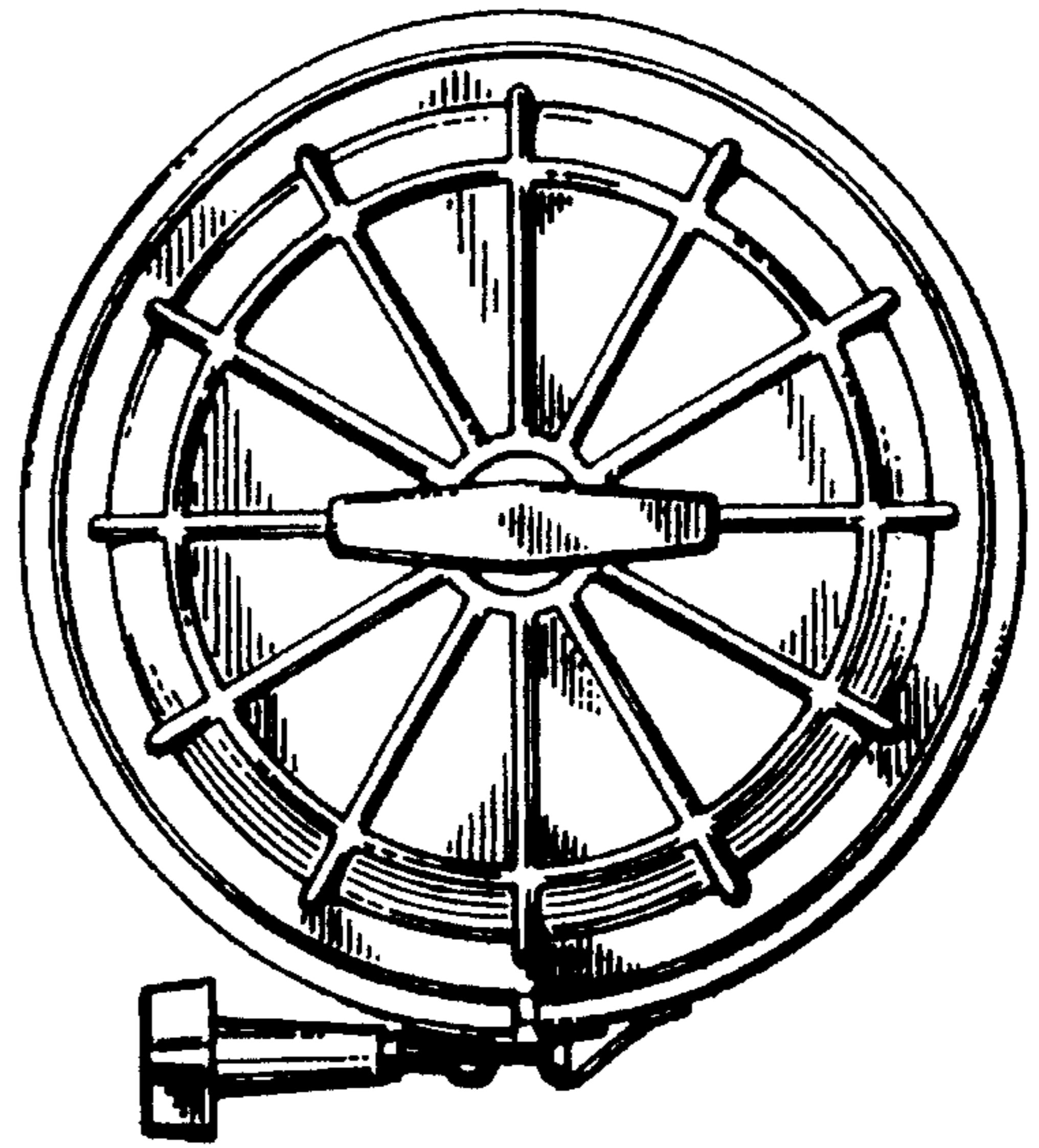


Fig 2

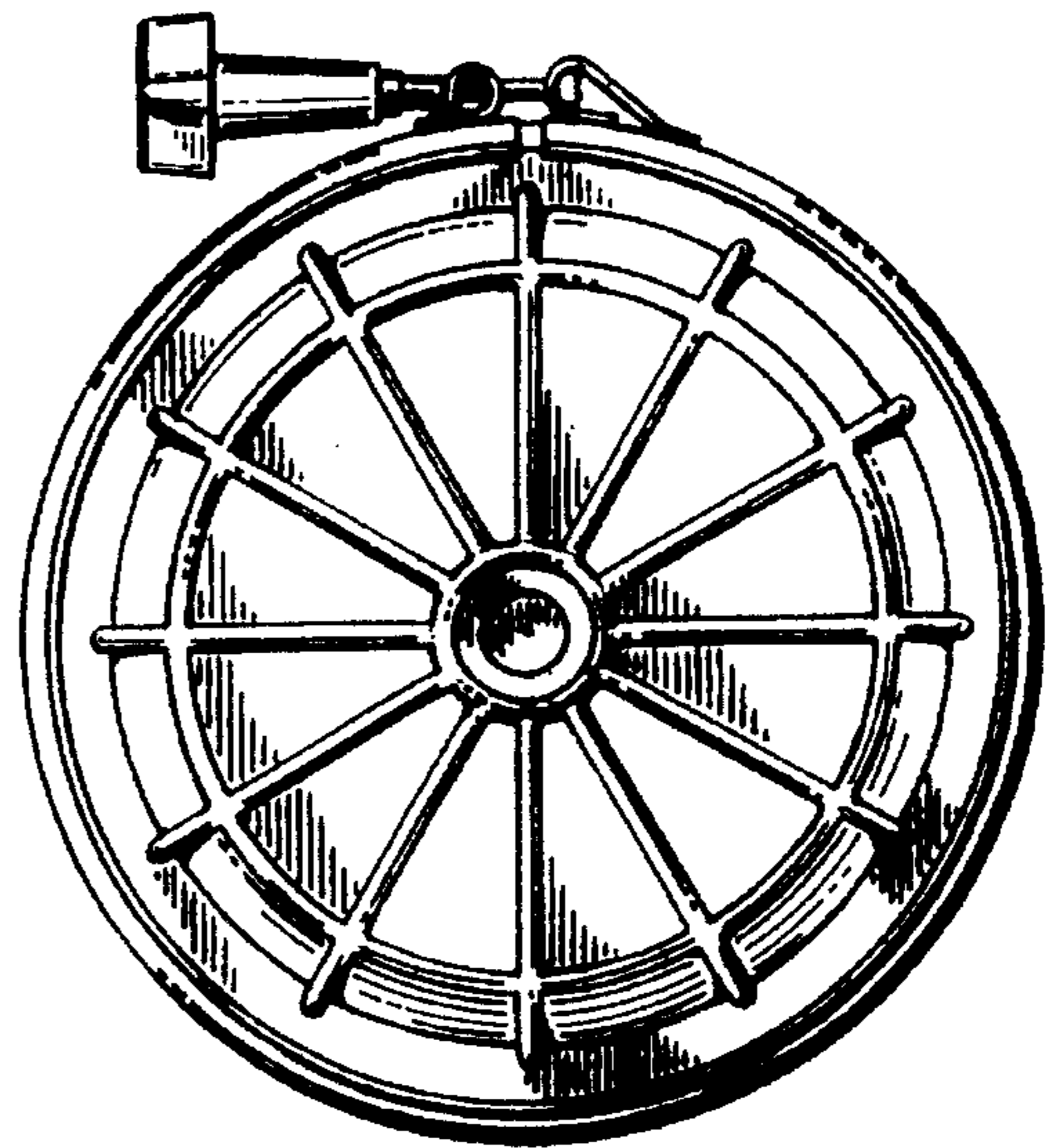


Fig 3

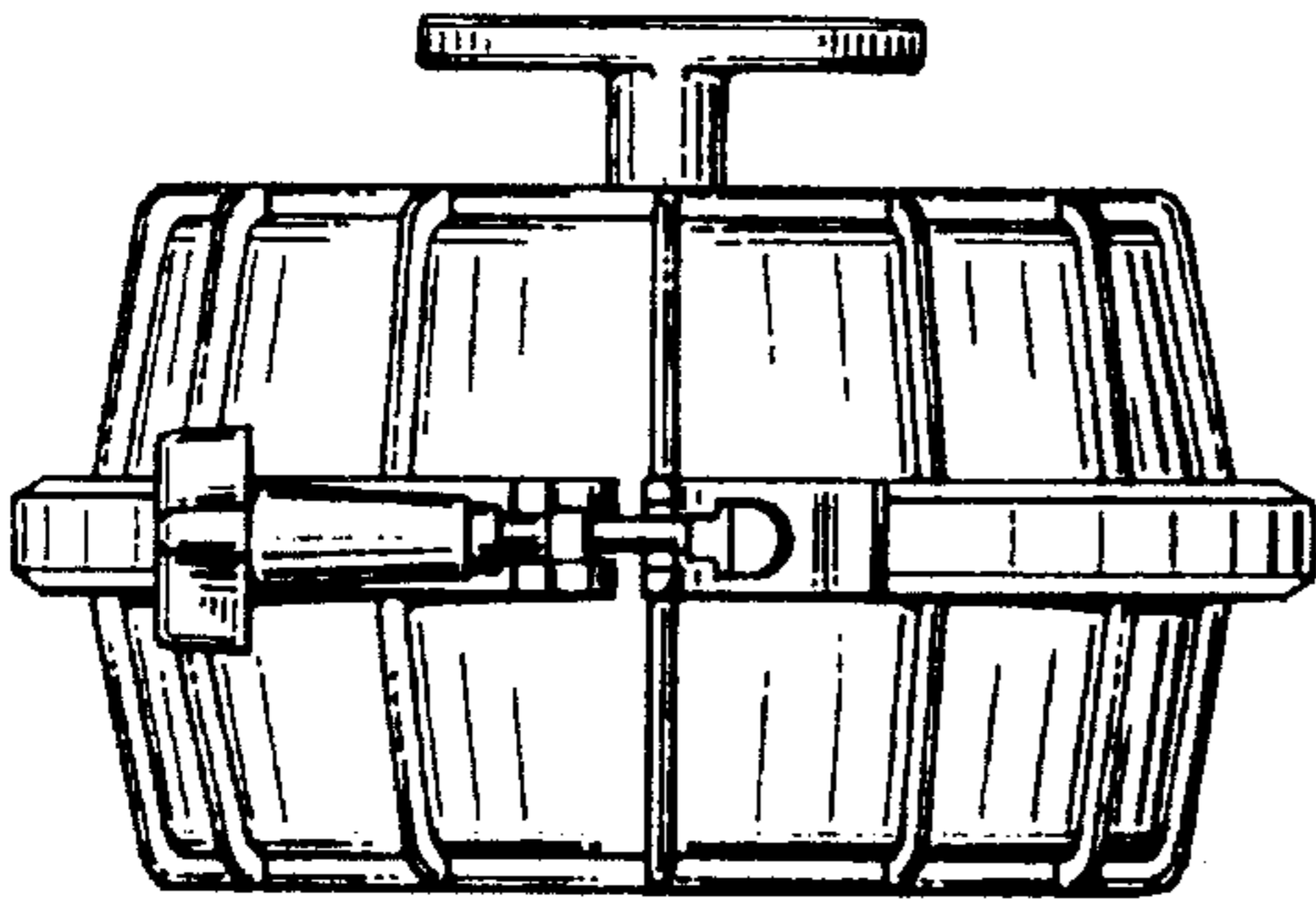


Fig 4

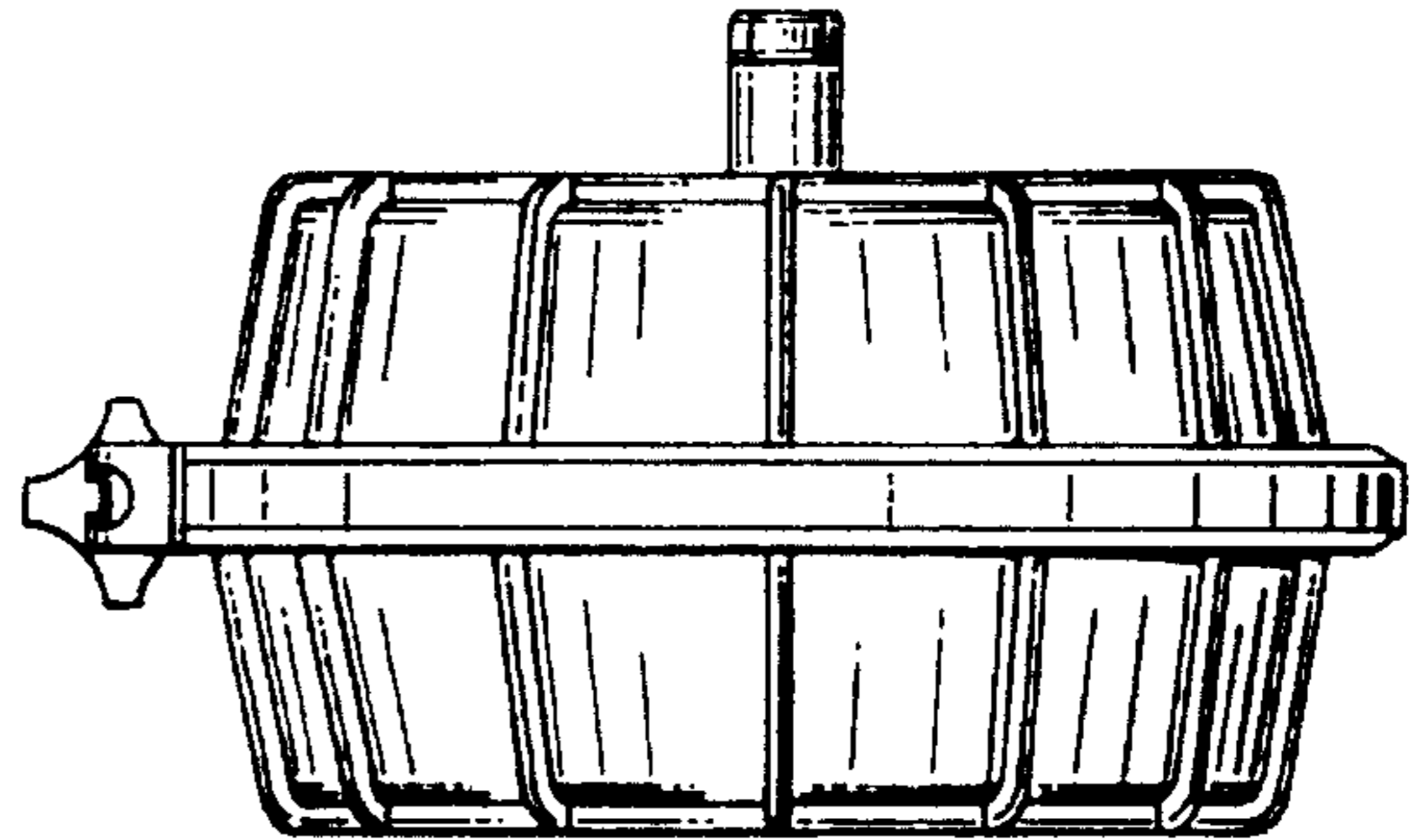


Fig 5

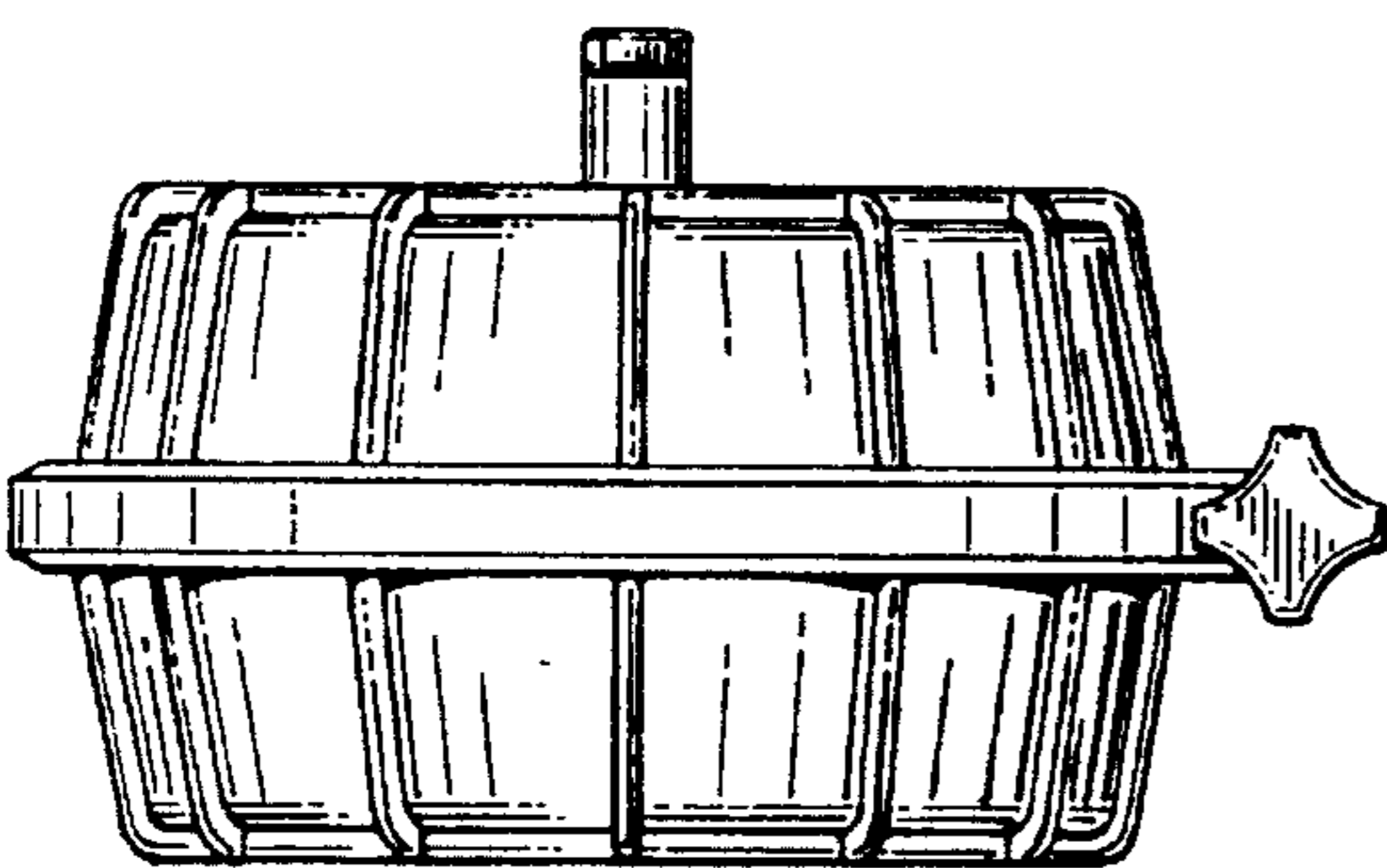


Fig 6

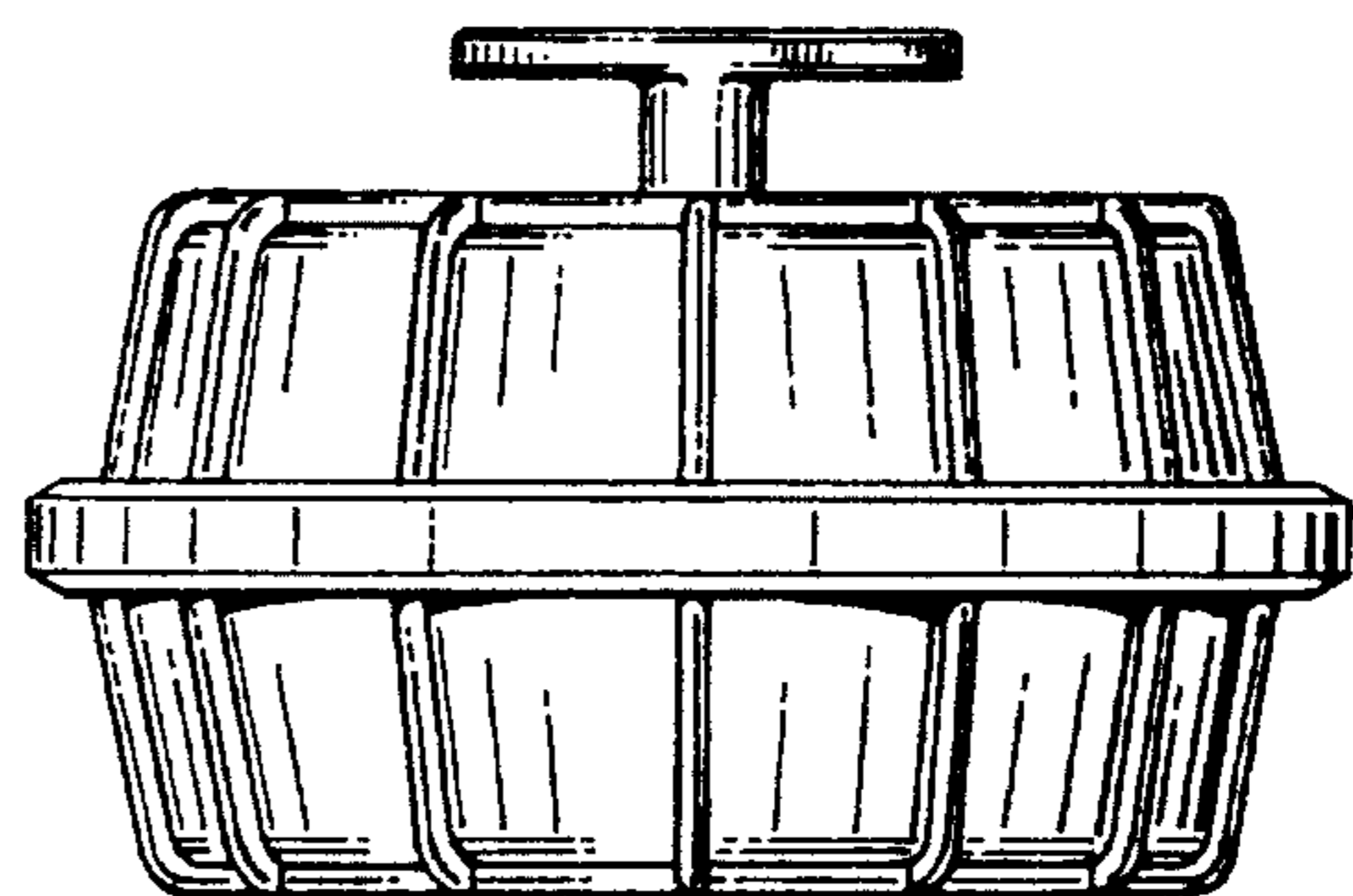


Fig 7