



US00D371424S

United States Patent [19]

[11] Patent Number: **Des. 371,424**

Tigert et al.

[45] Date of Patent: ****Jul. 2, 1996**

[54] **AQUARIUM AIR PUMP**

Assistant Examiner—Robin V. Taylor
Attorney, Agent, or Firm—Shook, Hardy & Bacon

[75] Inventors: **Donald J. Tigert**, Weatherford, Tex.;
Donald F. Bryant, Gardner, Kans.

[57] **CLAIM**

[73] Assignee: **Aquatank, Inc.**, Lenexa, Kans.

The ornamental design for an aquarium air pump, as shown and described.

[**] Term: **14 Years**

DESCRIPTION

[21] Appl. No.: **38,097**

FIG. 1 is a perspective view of the aquarium air pump according to the present invention;

[22] Filed: **Apr. 28, 1995**

FIG. 2 is an elevational view of one end of the aquarium air pump;

[52] U.S. Cl. **D23/210**

FIG. 3 is a top plan view thereof;

[58] **Field of Search** D23/200, 209,
D23/210; 210/448, 452, 167, 169, 416.1,
416.2; 119/261, 263

FIG. 4 is an elevational view of the end of the aquarium air pump according to the present invention which is opposite the end shown in FIG. 2; and,

[56] **References Cited**

FIG. 5 is a front elevational view of the aquarium air pump according to the present invention, the rear elevational view being identical thereto.

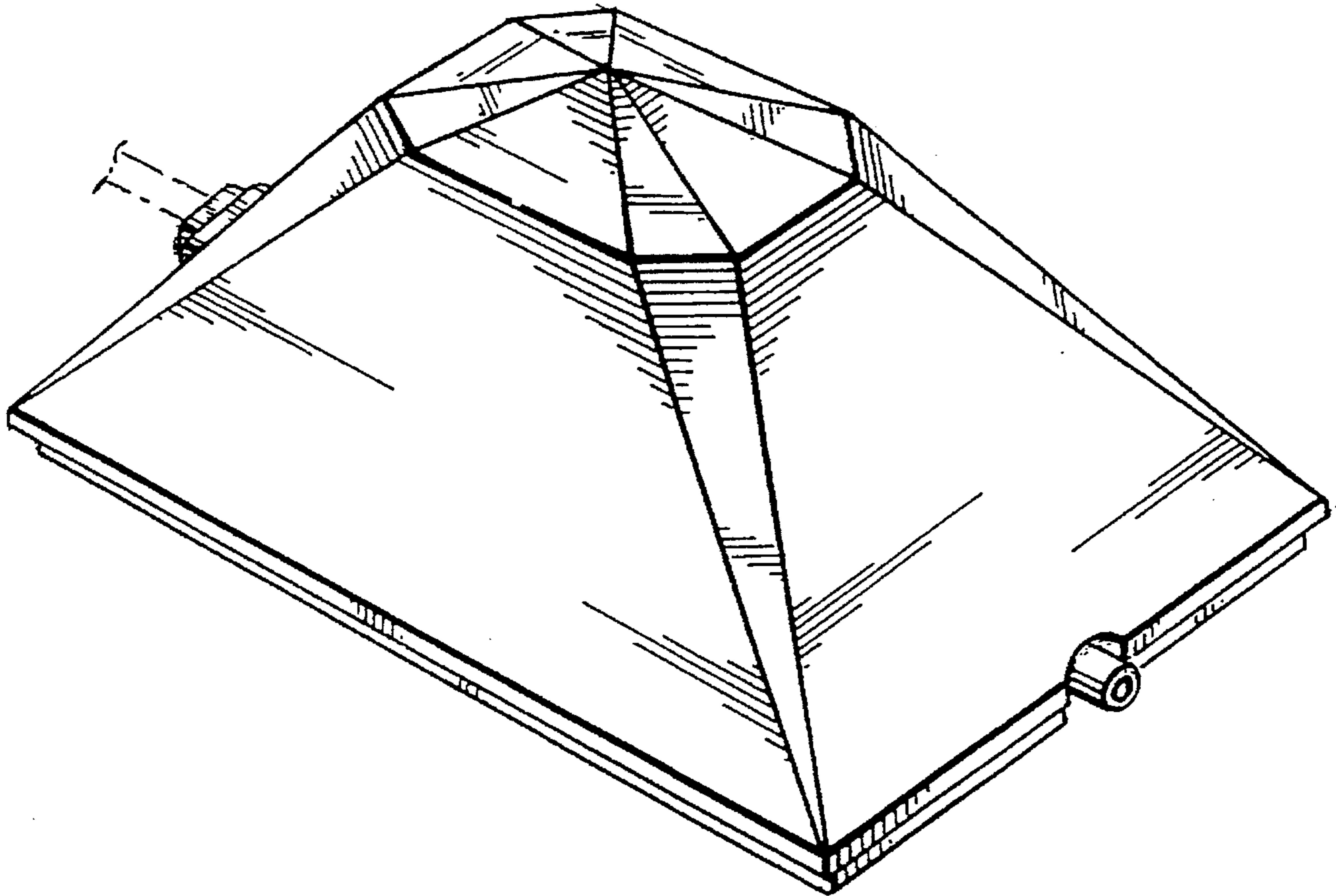
U.S. PATENT DOCUMENTS

D. 337,315	7/1993	Riza	D14/100
3,326,185	6/1967	Perez	119/263
4,206,054	6/1980	Moore et al.	D23/210
4,985,181	1/1991	Strada et al.	119/263

The broken line showing is for illustrative purposes only and forms no part of the claimed design.

Primary Examiner—James M. Gandy

1 Claim, 1 Drawing Sheet



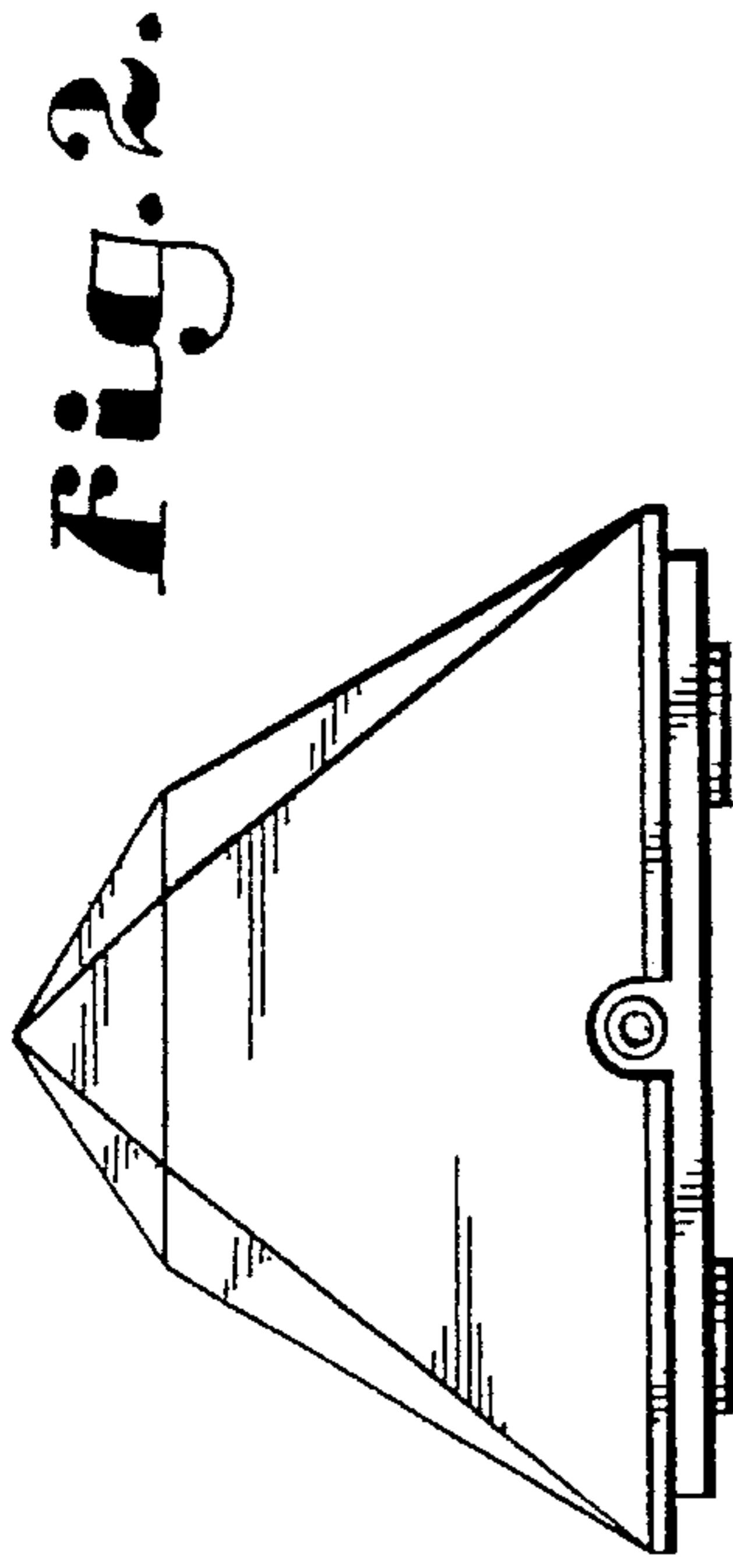


Fig. 2.

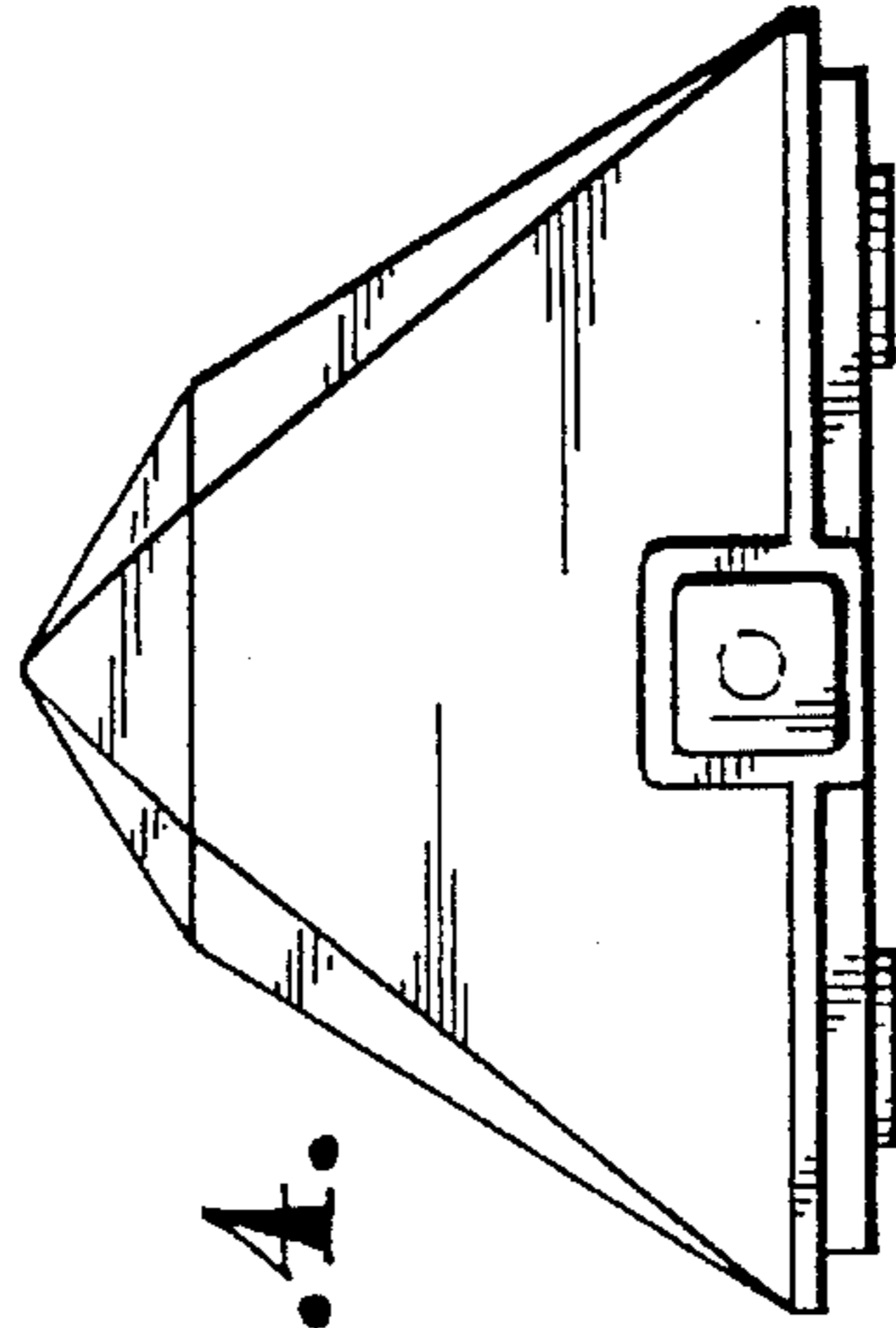


Fig. 4.

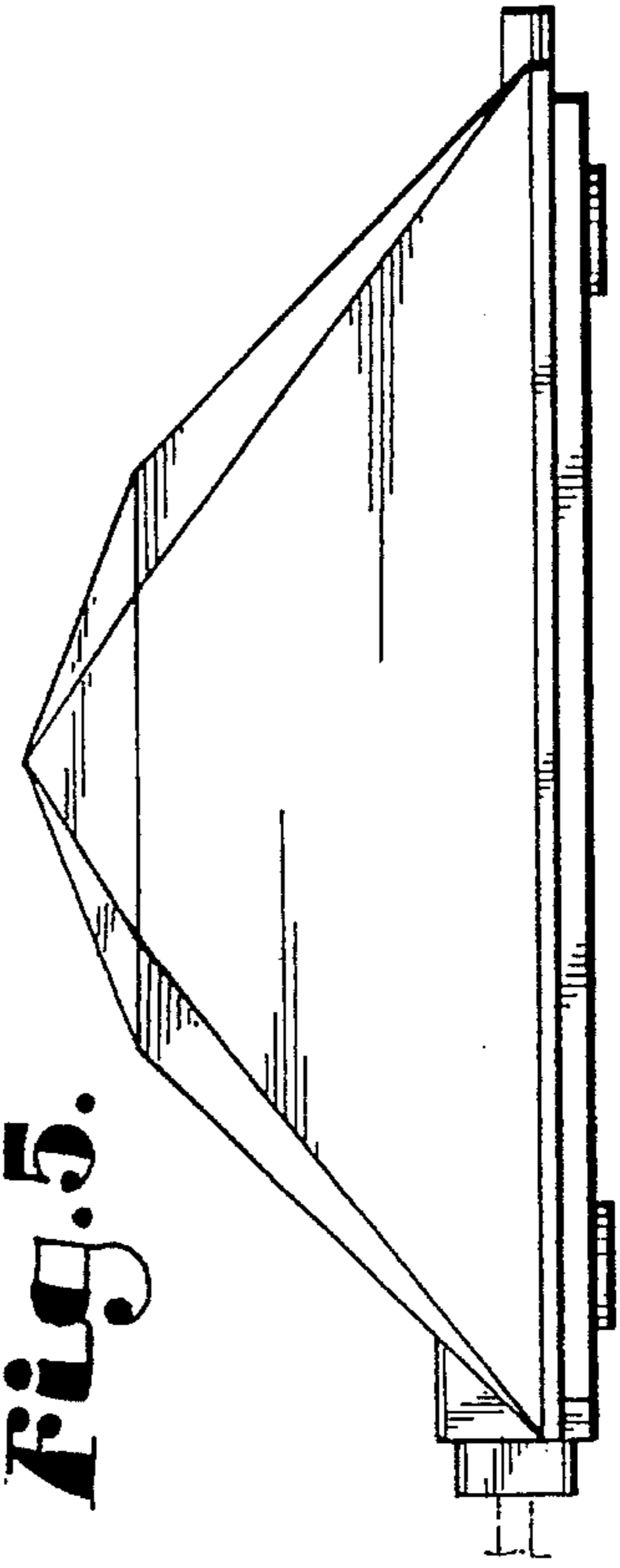


Fig. 5.

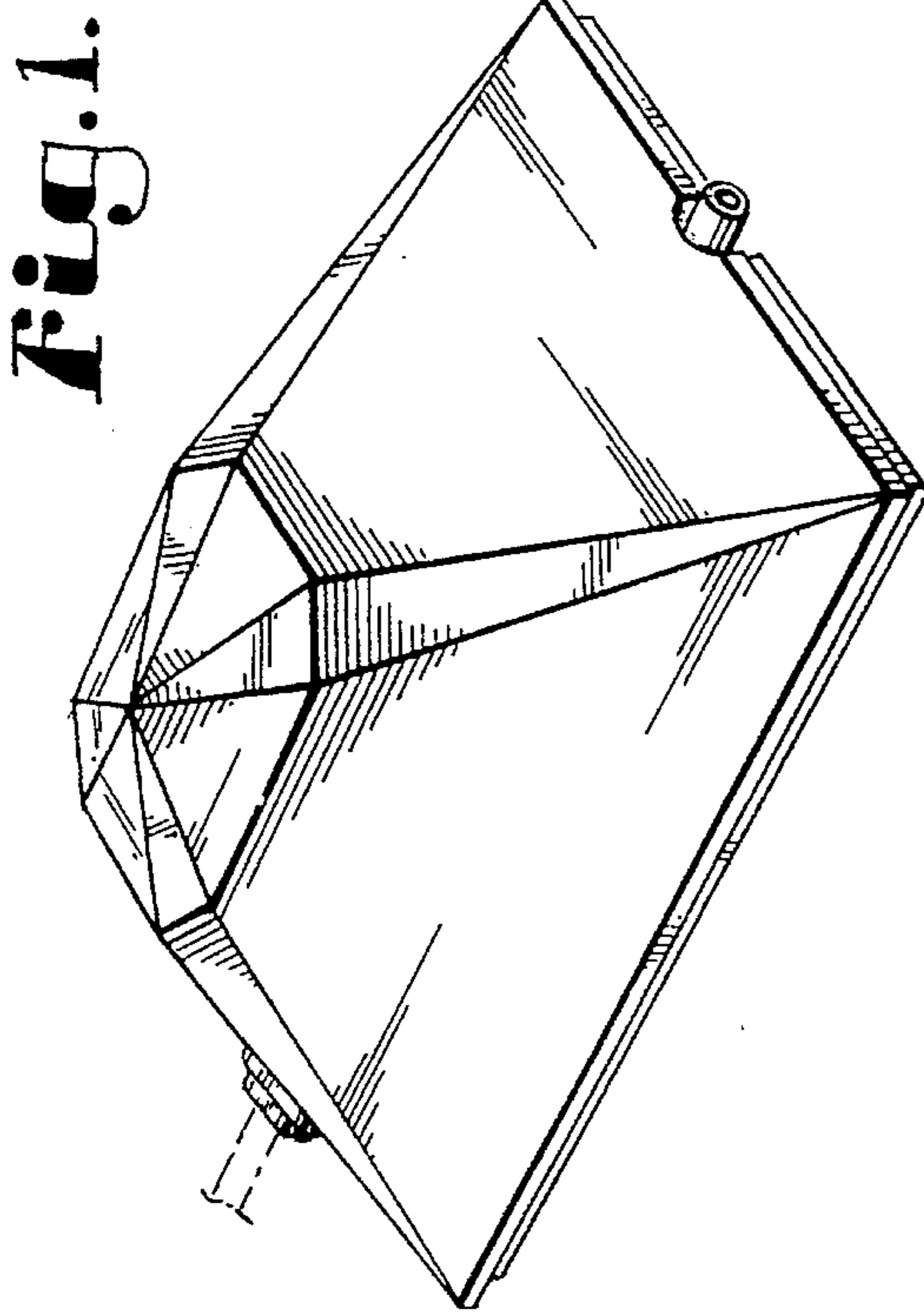


Fig. 1.

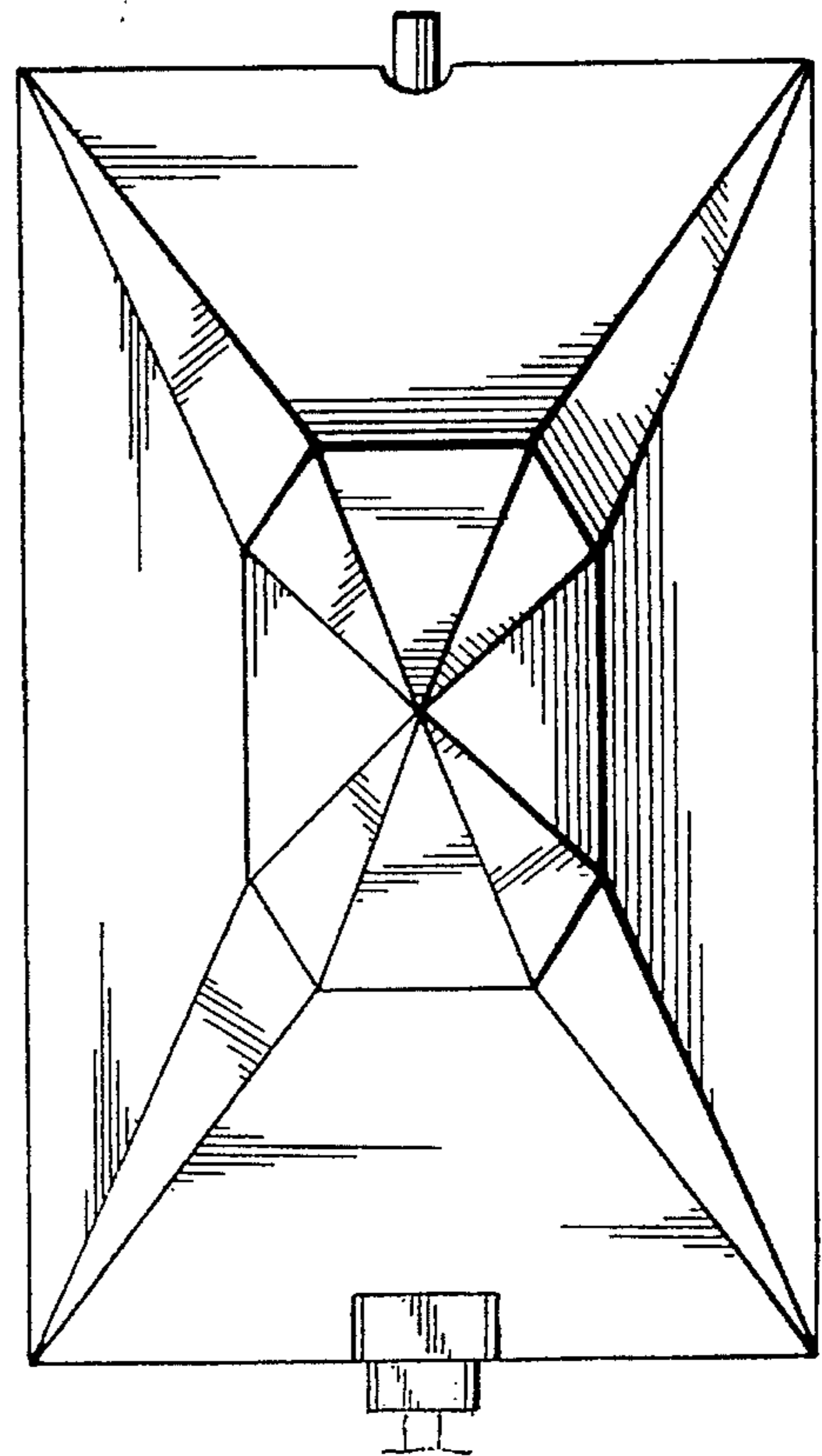


Fig. 3.