



US00D371423S

United States Patent [19]

Salagnac

[11] **Patent Number: Des. 371,423**

[45] **Date of Patent: **Jul. 2, 1996**

[54] **SEPTIC TANK**

[75] Inventor: **Daniel Salagnac**, Senan, France

[73] Assignee: **Eparco, Societe Anonyme**, Paris, France

[**] Term: **14 Years**

[21] Appl. No.: **24,123**

[22] Filed: **Jun. 7, 1994**

[30] Foreign Application Priority Data

Dec. 8, 1993 [FR] France 936 435

[52] **U.S. Cl.** **D23/203**

[58] **Field of Search** D23/203-206;
210/532.1, 532.2, 513; 220/4.13, 565, 445,
466, 469, 675

[56] References Cited

U.S. PATENT DOCUMENTS

- D. 226,192 1/1973 Boyd D23/203
- D. 229,053 11/1973 Blanc D23/203
- D. 234,461 3/1975 Piotrowski D23/203

- D. 357,530 4/1995 Grenier et al. D23/203
- 3,426,903 2/1969 Olecko 210/532.2 X
- 4,363,732 12/1982 Crates et al. 210/532.2

Primary Examiner—Alan P. Douglas
Assistant Examiner—Stacia Sinuik
Attorney, Agent, or Firm—Young & Thompson

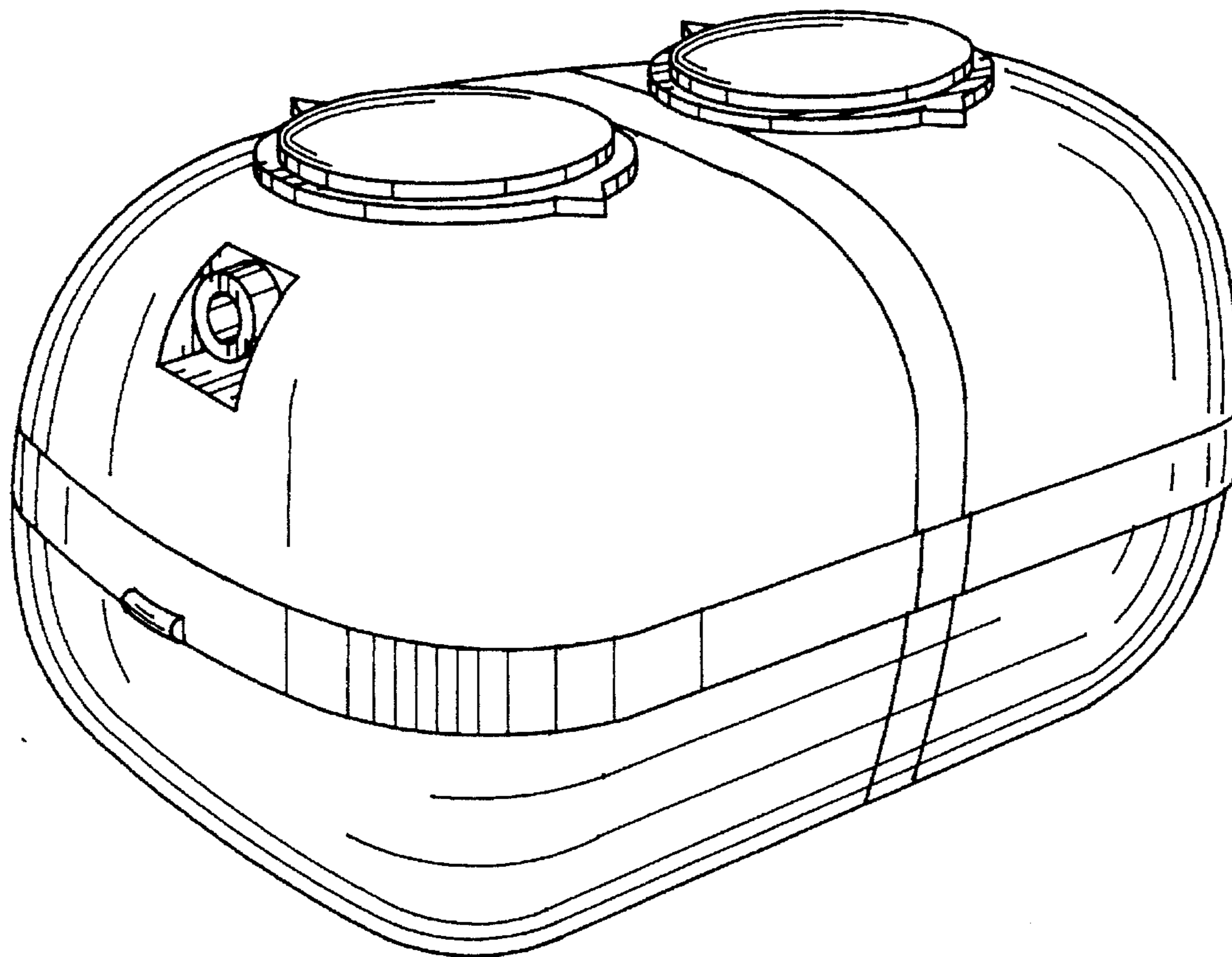
[57] CLAIM

The ornamental design for a septic tank, as shown and described.

DESCRIPTION

FIG. 1 is a top, side and perspective view of a septic tank showing my new design;
 FIG. 2 is a top plan view thereof;
 FIG. 3 is a view similar to FIG. 1 but showing a modification thereof; and,
 FIG. 4 is a top plan view of the embodiment of FIG. 3 .
 The sides opposite those shown in FIGS. 1 and 3 are identical thereto.
 In both embodiments, the underside of the septic tank is plain and unornamented apart from the straps encircling the same.

1 Claim, 2 Drawing Sheets



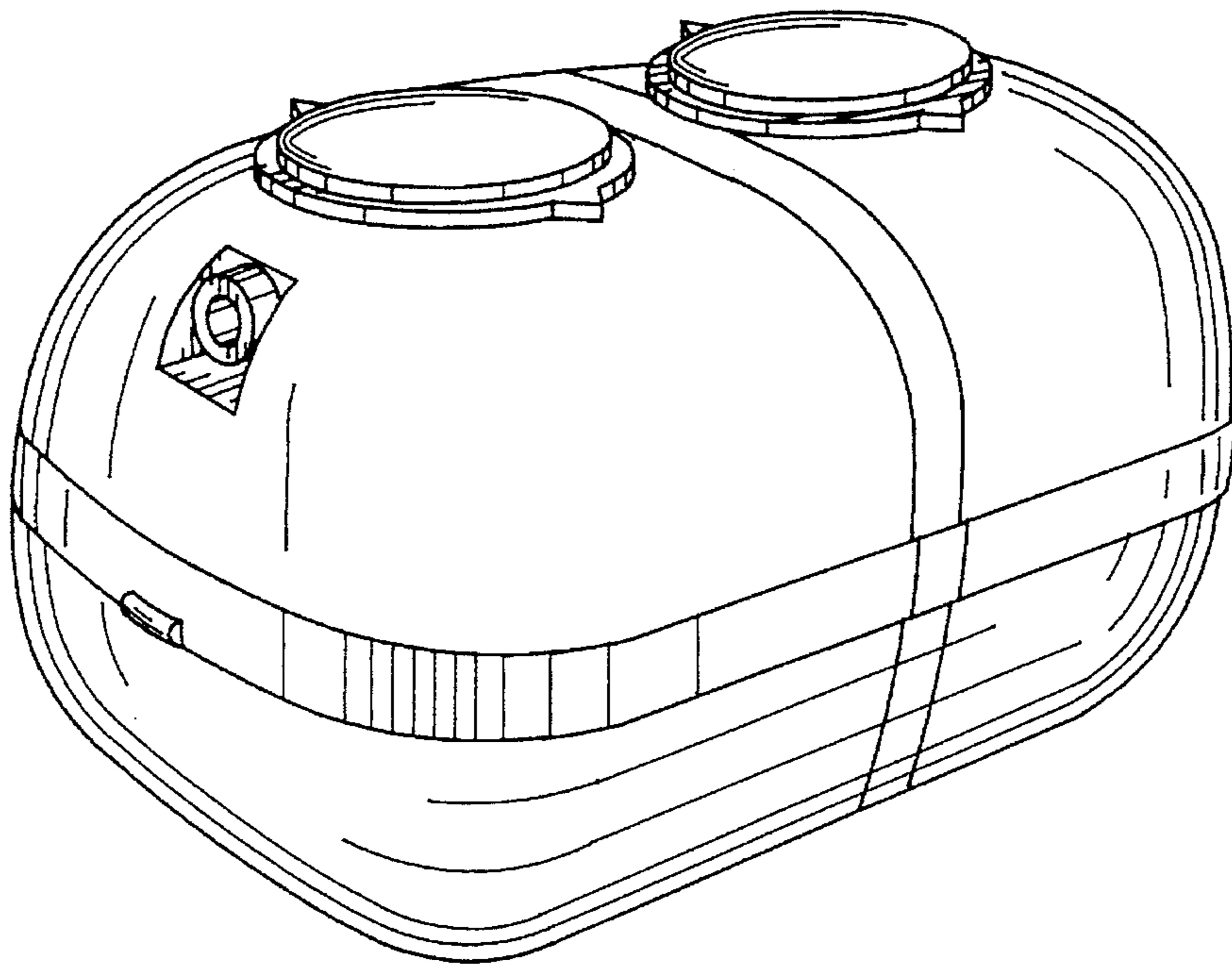


FIG. 1

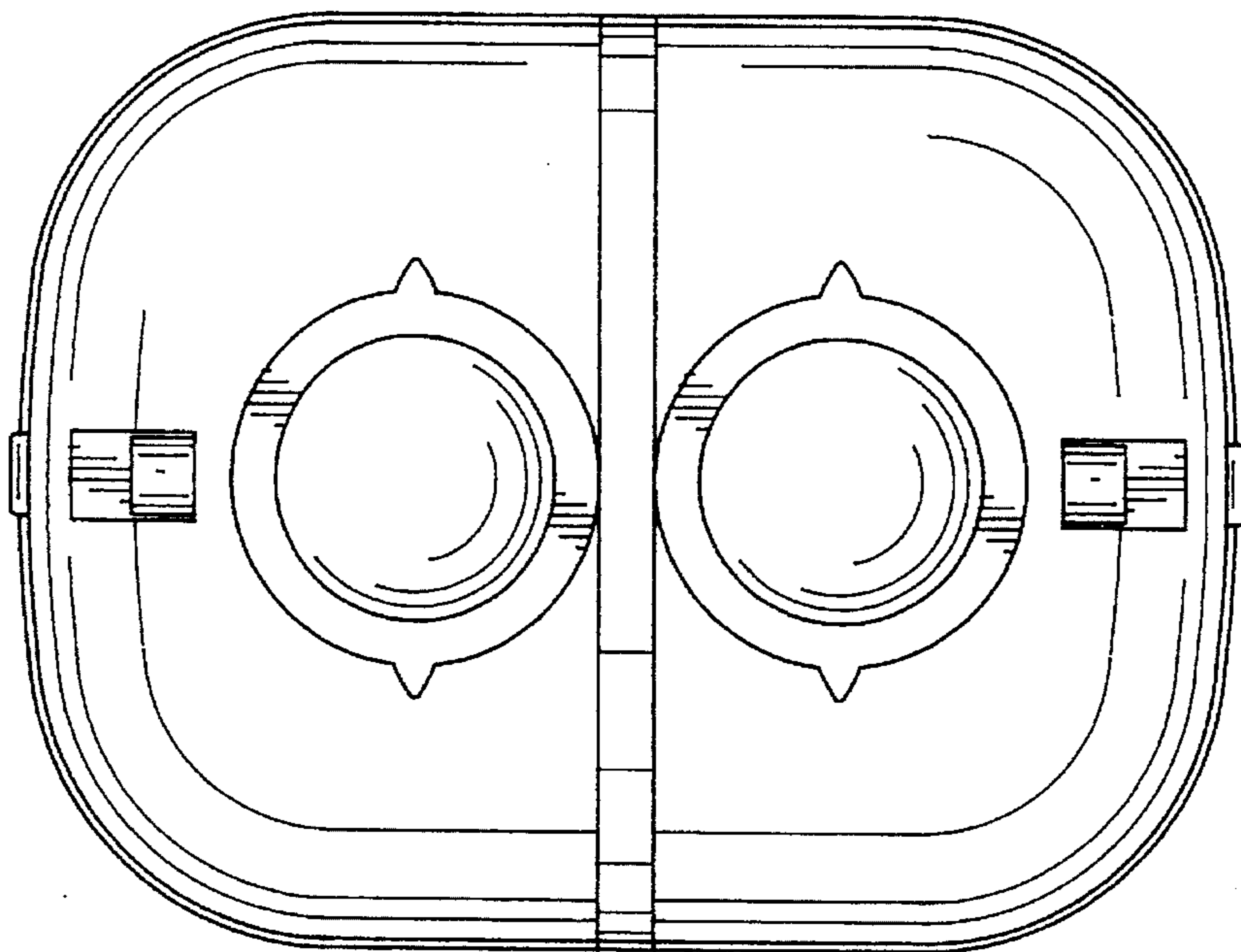


FIG. 2

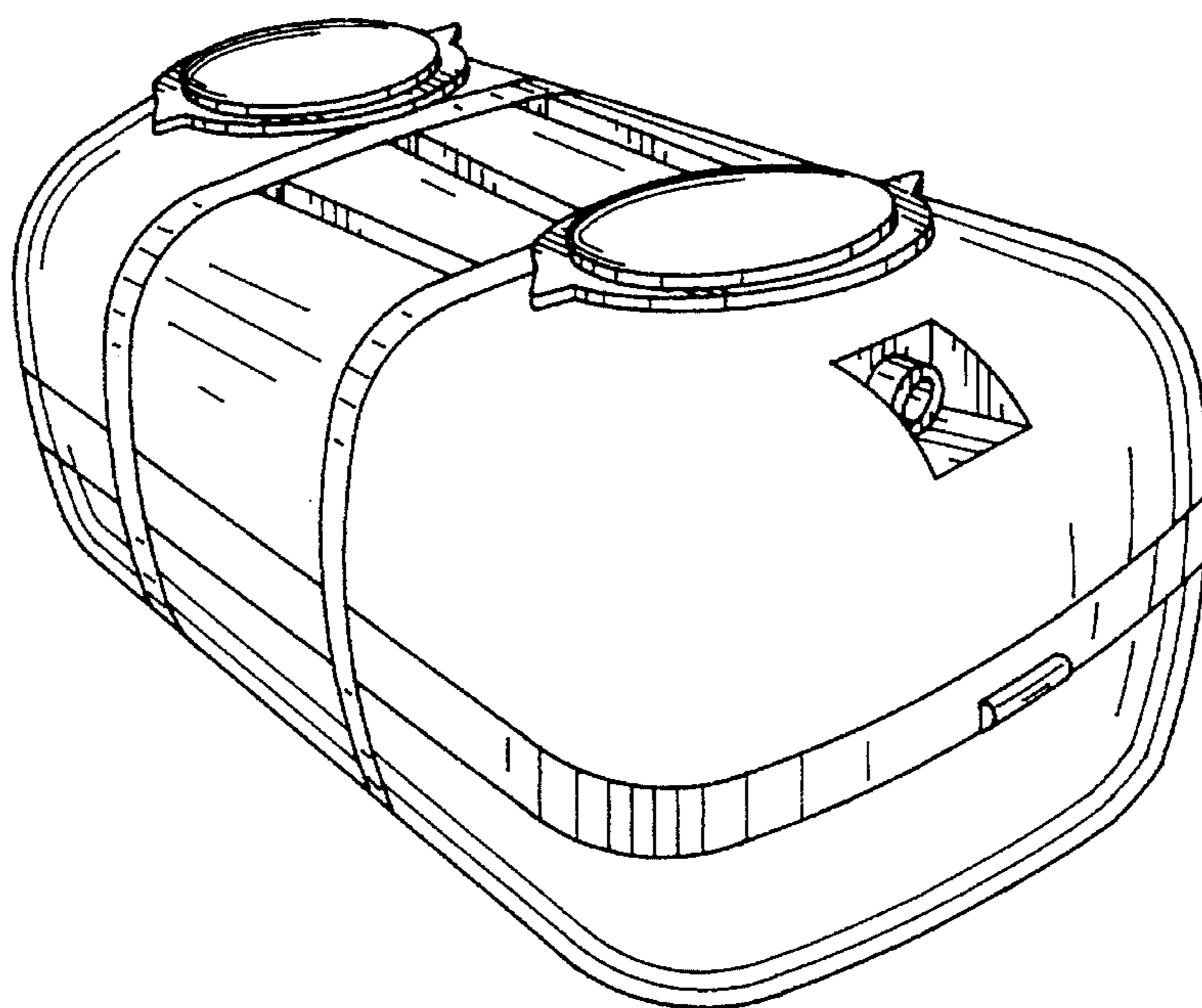


FIG. 3

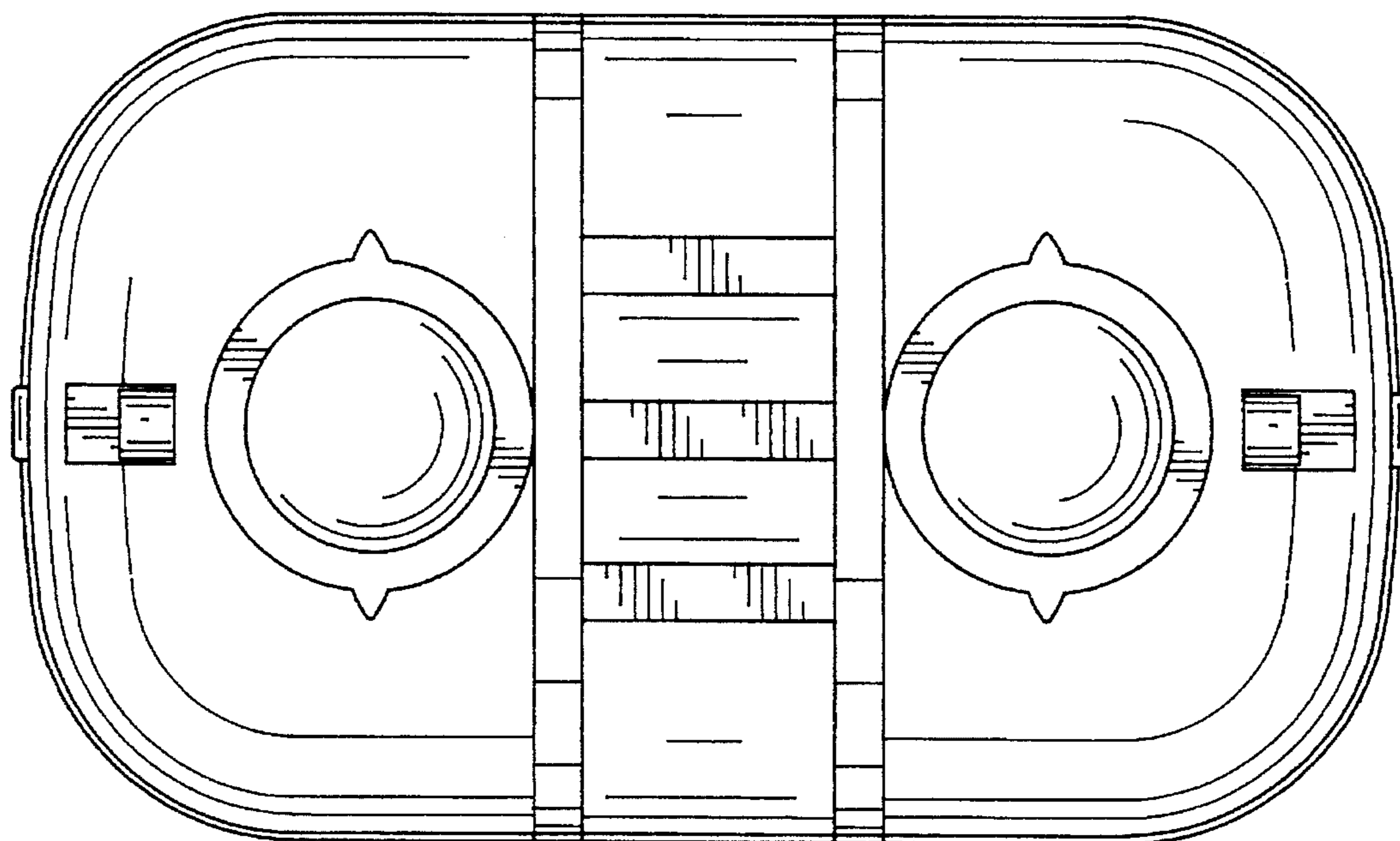


FIG. 4