



US00D371421S

United States Patent [19]

[11] Patent Number: **Des. 371,421**

Brackett, Sr.

[45] Date of Patent: ****Jul. 2, 1996**

[54] **HOOK SETTING FISHING FLOAT**

4,124,948	11/1978	Mautner	43/15
4,139,960	2/1979	Chojnowski	43/15
4,270,298	6/1981	Hodshire	43/15
4,547,990	10/1985	Hero	43/15
4,890,410	1/1990	Pratscher et al.	43/15
5,398,440	3/1995	Amundsen	43/44.87 X
5,438,788	8/1995	Rich et al.	43/15

[76] Inventor: **Paul E. Brackett, Sr.**, 4501
Countryaire Estates, Hackett, Ark.
72937

[**] Term: **14 Years**

[21] Appl. No.: **37,021**

[22] Filed: **Apr. 3, 1995**

[52] U.S. Cl. **D22/146; D22/134**

[58] Field of Search **D22/134, 146,**
D22/145; 43/15, 16, 44.87, 44.88, 44.83,
44.9, 44.94

Primary Examiner—Doris V. Coles

Attorney, Agent, or Firm—Kokjer, Kircher, Bowman & Johnson

[57] CLAIM

The ornamental design for a hook setting fishing float, as shown and described.

DESCRIPTION

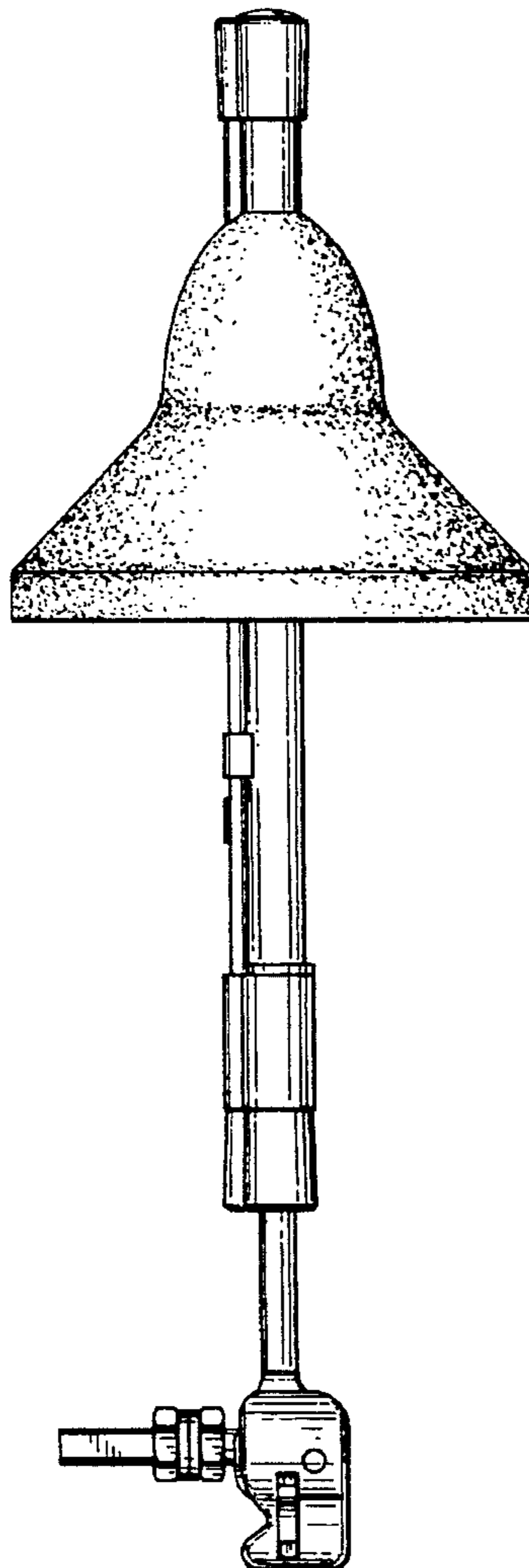
FIG. 1 is a right side elevational view of a hook setting fishing float showing my new design; FIG. 2 is a front elevational view thereof; FIG. 3 is a left side elevational view thereof; FIG. 4 is a rear elevational view thereof; FIG. 5 is a top plan view thereof; and, FIG. 6 is a bottom plan view thereof.

[56] References Cited

U.S. PATENT DOCUMENTS

2,534,795	12/1950	Ramsey	45/15
2,876,578	3/1959	Argenio	43/15
3,174,247	3/1965	Morgan	43/15
3,618,251	11/1971	Hodshire	43/15
3,672,087	6/1972	Milburn, Jr.	43/44.88
3,766,680	10/1973	Torme et al.	43/16
3,771,250	11/1973	Helmke	43/15

1 Claim, 1 Drawing Sheet



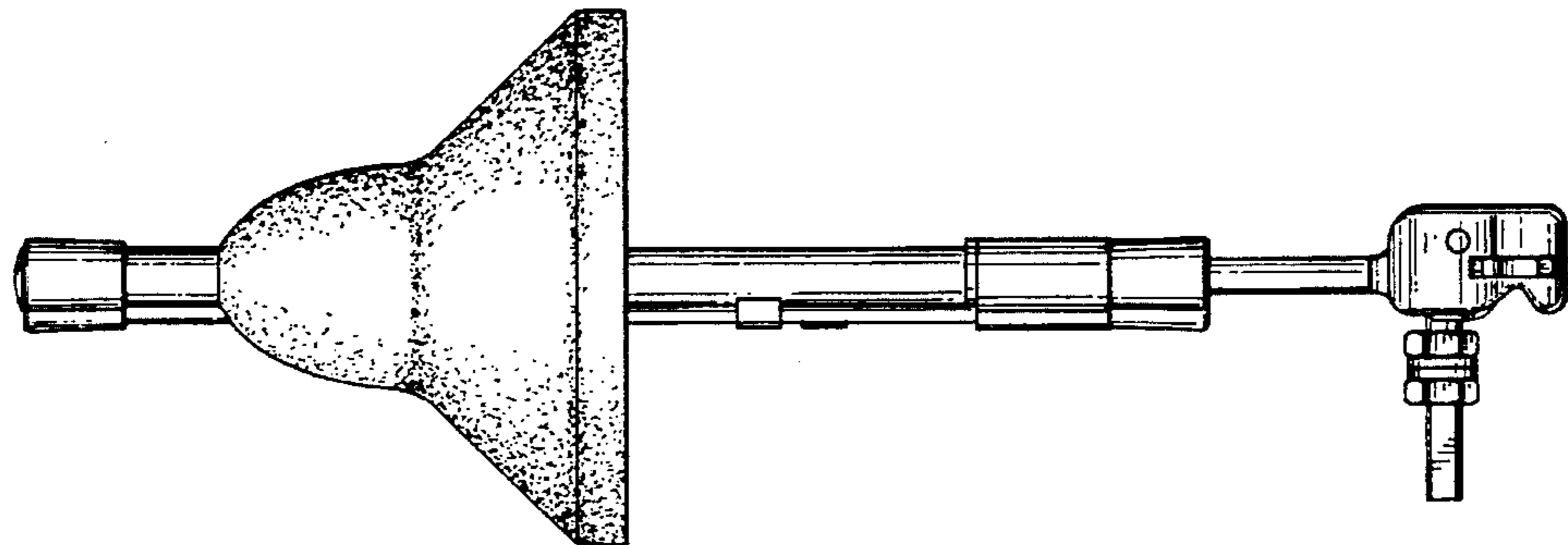


Fig. 1.

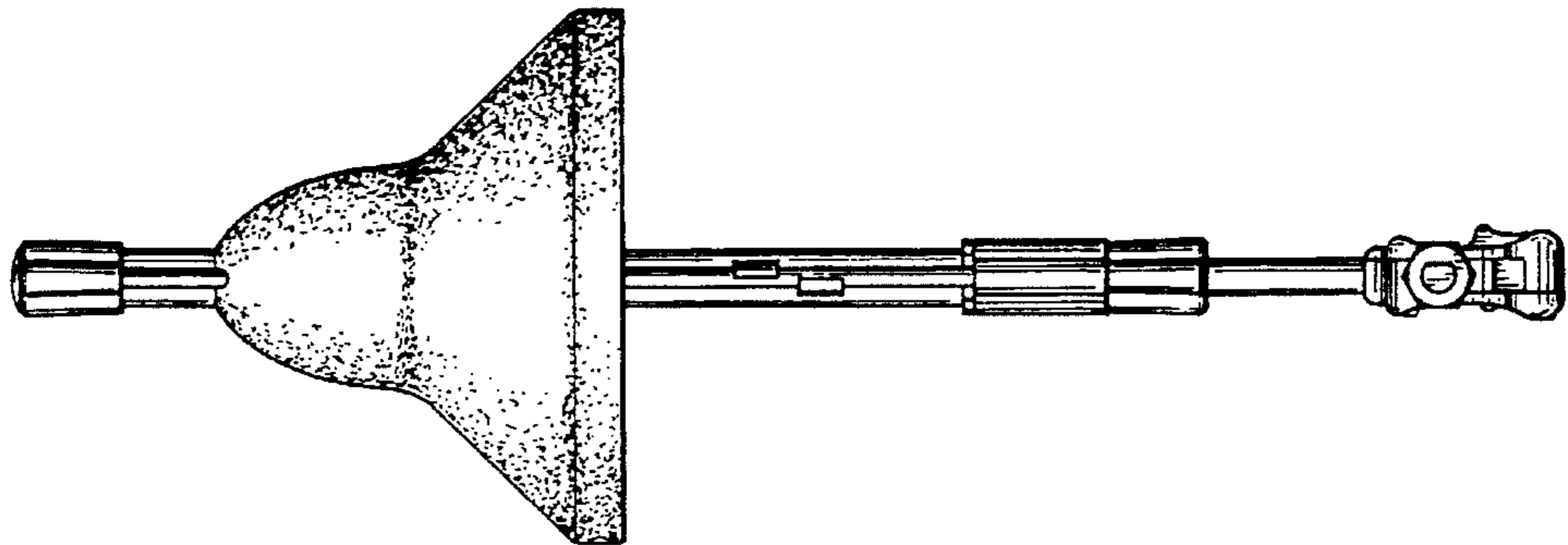


Fig. 2.

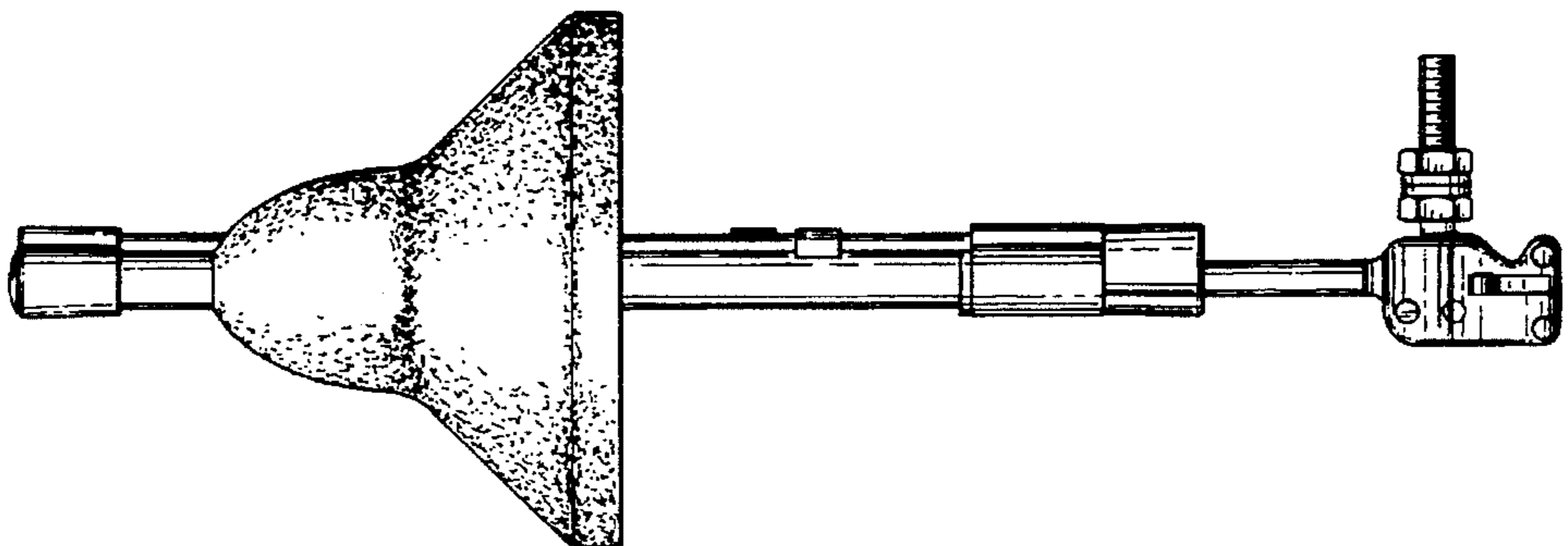


Fig. 3.

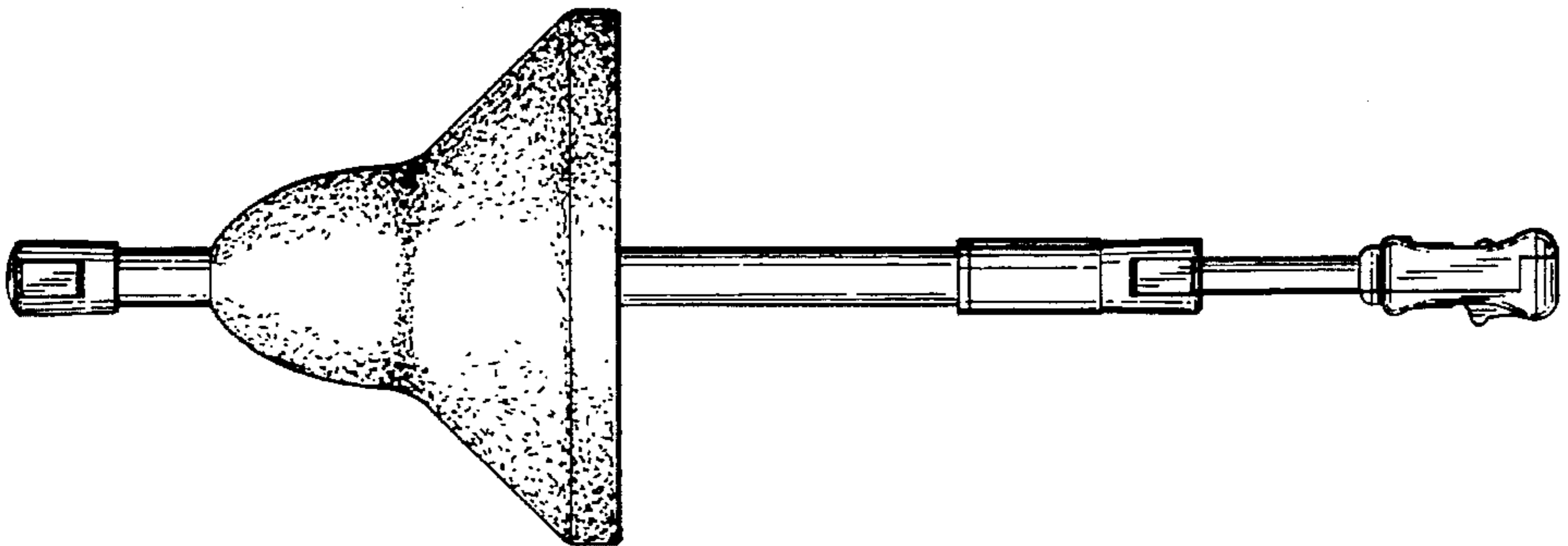


Fig. 4.

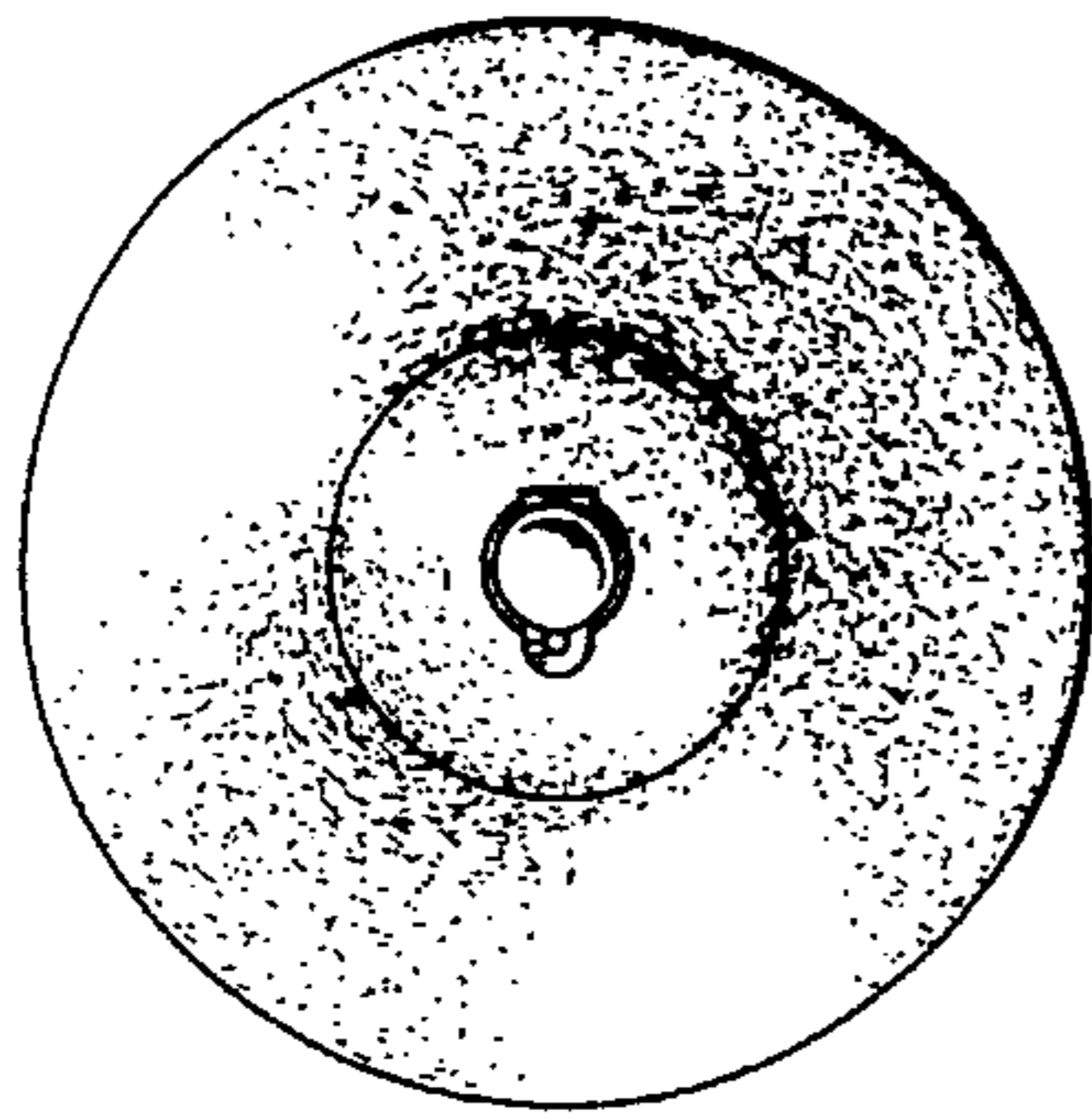


Fig. 5.

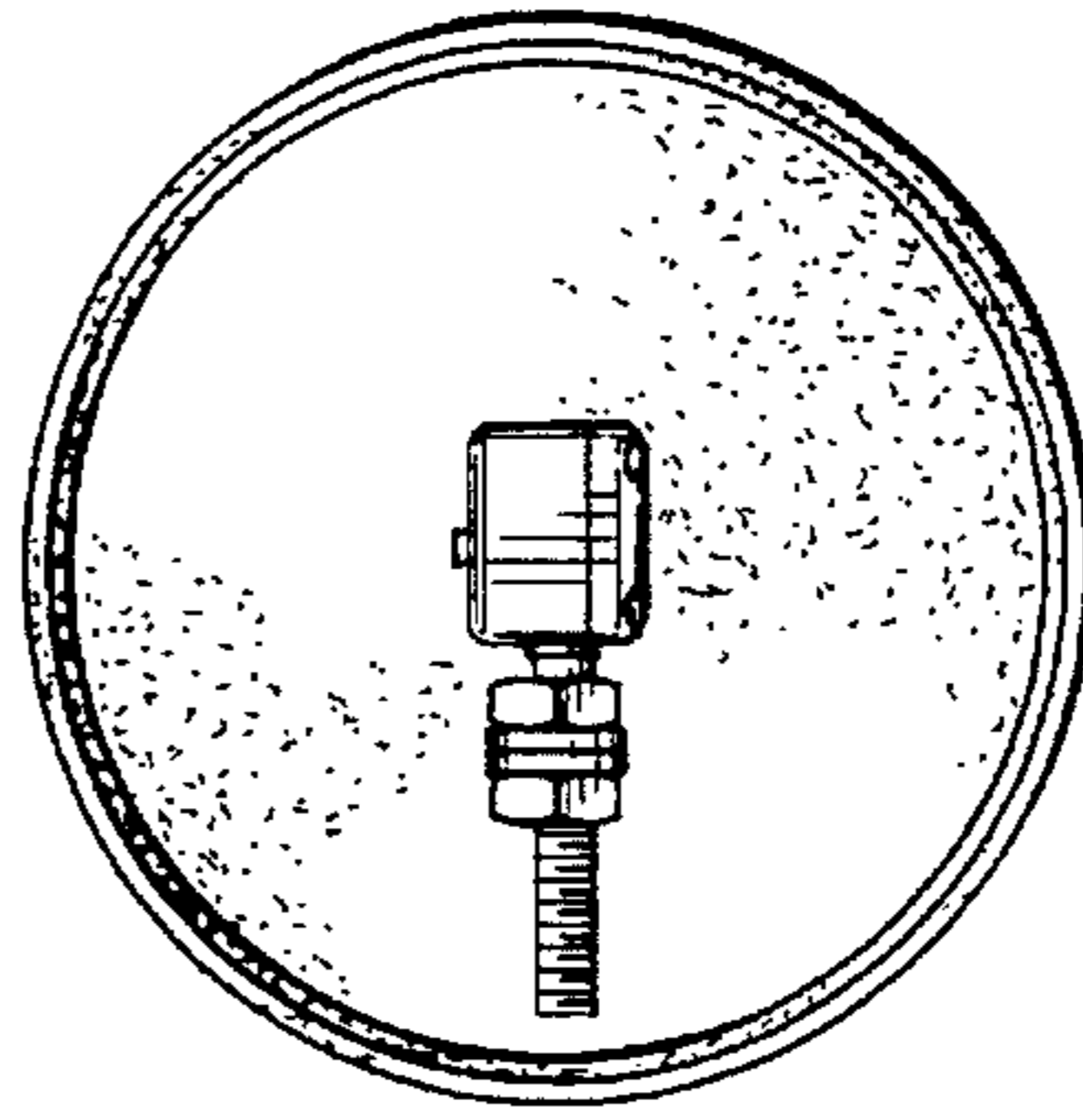


Fig. 6.