



US00D371419S

United States Patent [19]

[11] Patent Number: **Des. 371,419**

Hohag

[45] Date of Patent: ****Jul. 2, 1996**

[54] **FISH STRINGER HOLDER**

4,830,244 5/1989 Brannon 224/103

[76] Inventor: **Edward A. Hohag**, 7450 Washington Ave., Minneapolis, Minn. 55344

OTHER PUBLICATIONS

Ferry Design Corporation, Quik-Catch Stringer, 1992.

[**] Term: **14 Years**

Primary Examiner—Doris V. Coles

[21] Appl. No.: **25,566**

[57] CLAIM

[22] Filed: **Jul. 5, 1994**

The ornamental design for a fish stringer holder, as shown and described.

[52] U.S. Cl. **D22/134**

[58] Field of Search D22/134, 149; 224/252, 253, 103, 920; 43/54.1, 55, 4

DESCRIPTION

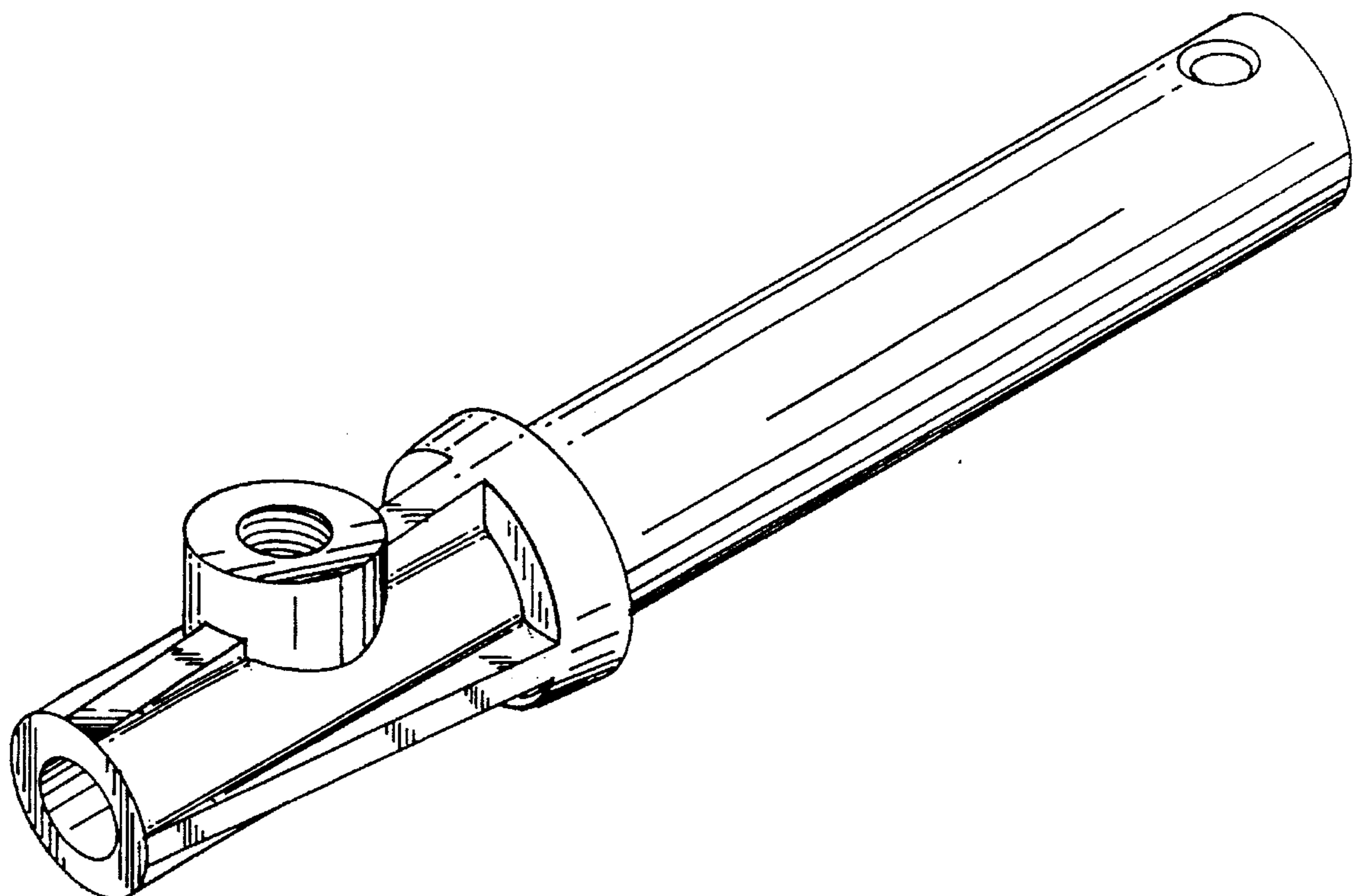
[56] References Cited

U.S. PATENT DOCUMENTS

308,600	12/1884	Fenner .	
692,845	2/1902	Garrett .	
724,298	3/1903	Knapp .	
803,646	11/1905	Walton	248/535
1,653,083	12/1927	Blaw	248/538
2,563,480	8/1951	Montgomery, Sr.	224/103
2,592,389	4/1952	Budy	224/103
2,708,538	5/1955	Matras	224/103
2,734,671	2/1956	Adams	224/103
2,800,263	7/1957	Hunt	224/103
3,306,560	2/1967	Wheeler	248/534 X
3,540,637	11/1970	Ezell	224/103
4,124,190	11/1978	Wheeler	248/538
4,308,643	1/1982	Montplaisir	224/103 X
4,570,836	2/1986	Mayo	224/103
4,597,354	7/1986	Gelula	440/109 X
4,614,323	9/1986	Bauer	248/515

FIG. 1 is a perspective view of the fish stringer holder of my new design;
 FIG. 2 is a front elevational view thereof;
 FIG. 3 is a rear elevational view thereof;
 FIG. 4 is a side elevational view thereof, the opposite side being a mirror image thereof;
 FIG. 5 is an end elevational view of the left end thereof;
 FIG. 6 is an end elevational view of the right end thereof;
 FIG. 7 is a perspective view of a modification of the fish stringer holder of my design;
 FIG. 8 is a side elevational view of the side opposite the side shown in FIG. 7.
 FIG. 9 is a top plan view of FIG. 8;
 FIG. 10 is a bottom plan view of FIG. 8;
 FIG. 11 is an end elevational view of the left end of FIG. 7; and,
 FIG. 12 is an end elevational view of the right end of FIG. 7.

1 Claim, 2 Drawing Sheets



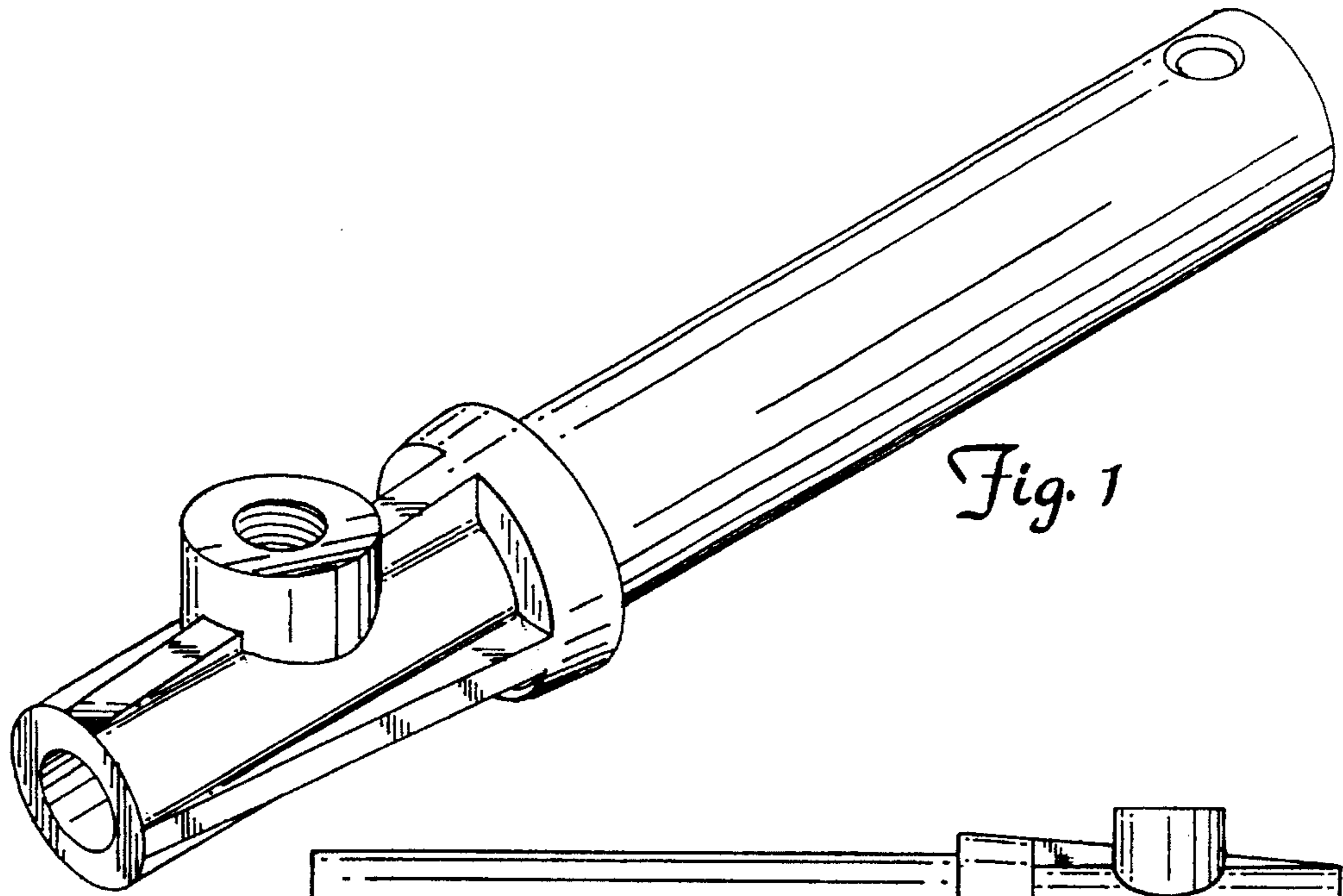


Fig. 1

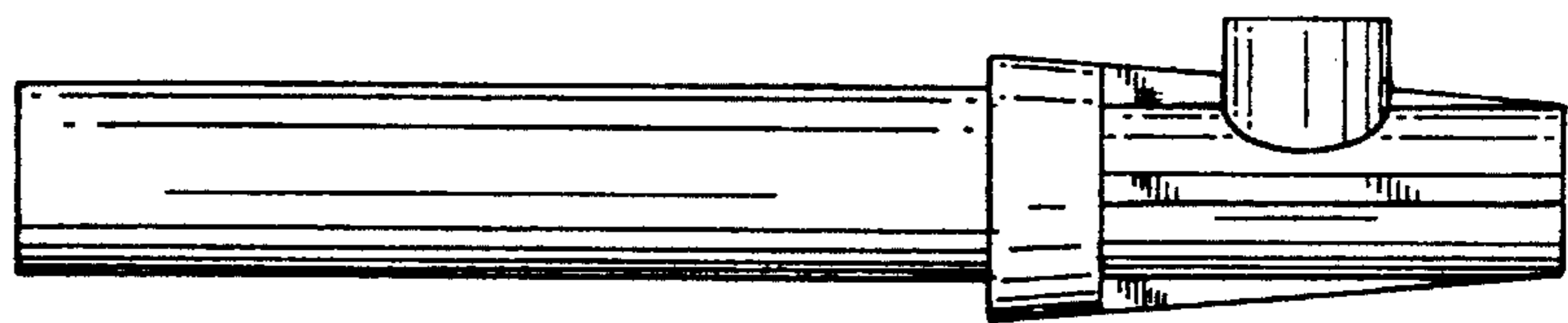


Fig. 2

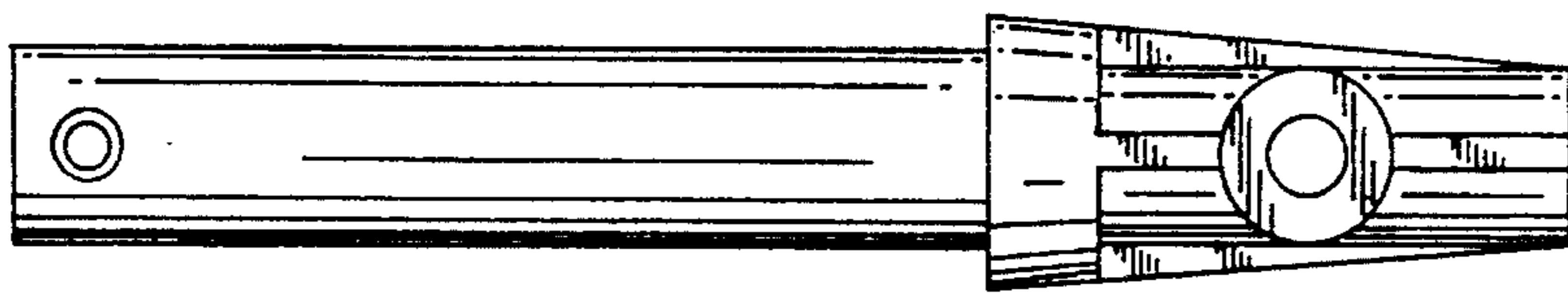


Fig. 3

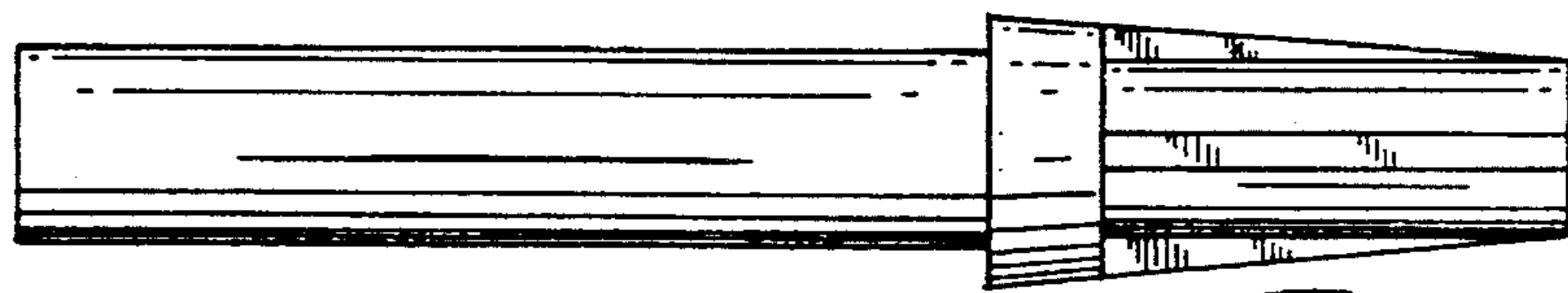


Fig. 4

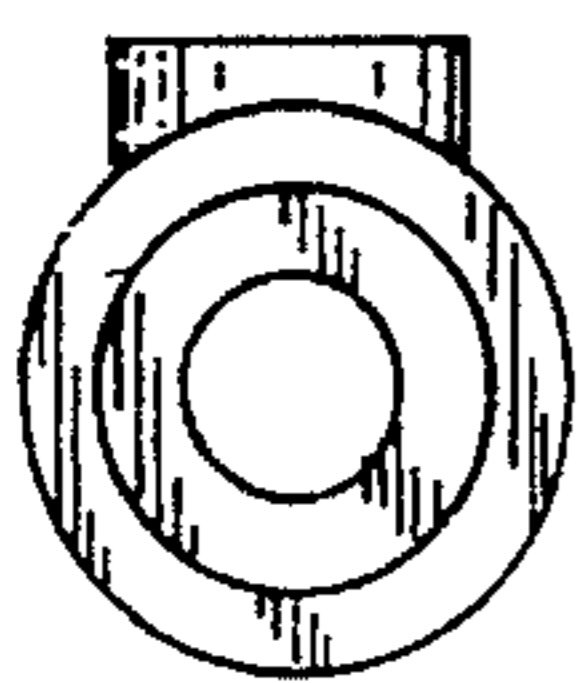


Fig. 5

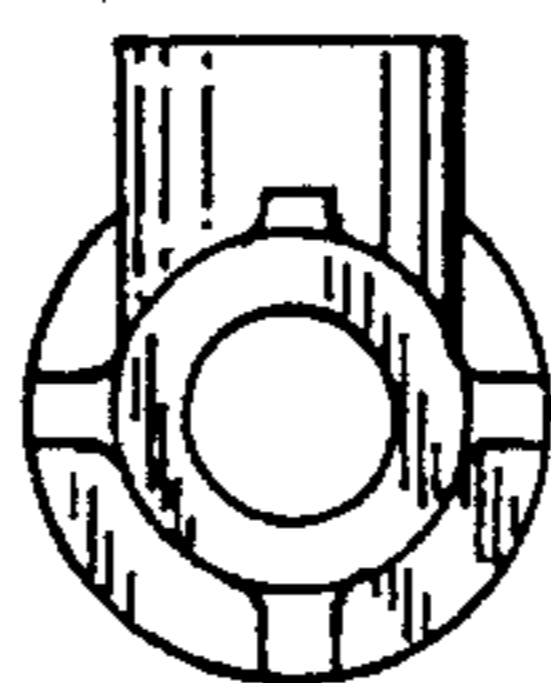


Fig. 6

