



US00D371416S

**United States Patent** [19]  
**Bliss**

[11] **Patent Number: Des. 371,416**

[45] **Date of Patent: \*\*Jul. 2, 1996**

[54] **ARCHERY BOW HOLDER**

5,379,746 1/1995 Sappington ..... 124/86 X  
5,385,324 1/1995 Pryor et al. .... 248/231.7

[76] Inventor: **John C. Bliss**, R.D. 4, Box 249-3,  
Tunkhannock, Pa. 18657

*Primary Examiner*—Louis S. Zarfes  
*Assistant Examiner*—Monica A. Hannon  
*Attorney, Agent, or Firm*—H. Jay Spiegel

[\*\*] Term: **14 Years**

[57] **CLAIM**

[21] Appl. No.: **28,805**

The ornamental design for an archery bow holder, as shown and described.

[22] Filed: **Sep. 22, 1994**

[52] U.S. Cl. .... **D22/107; D22/199**

[58] Field of Search ..... D22/107; D8/71,  
D8/72, 73, 74, 394; 211/4, 13, 60.1; 129/25,  
25.6, 86, 88; 224/916; 248/122, 126, 231.7;  
269/75, 78, 84, 91, 95, 97, 98

**DESCRIPTION**

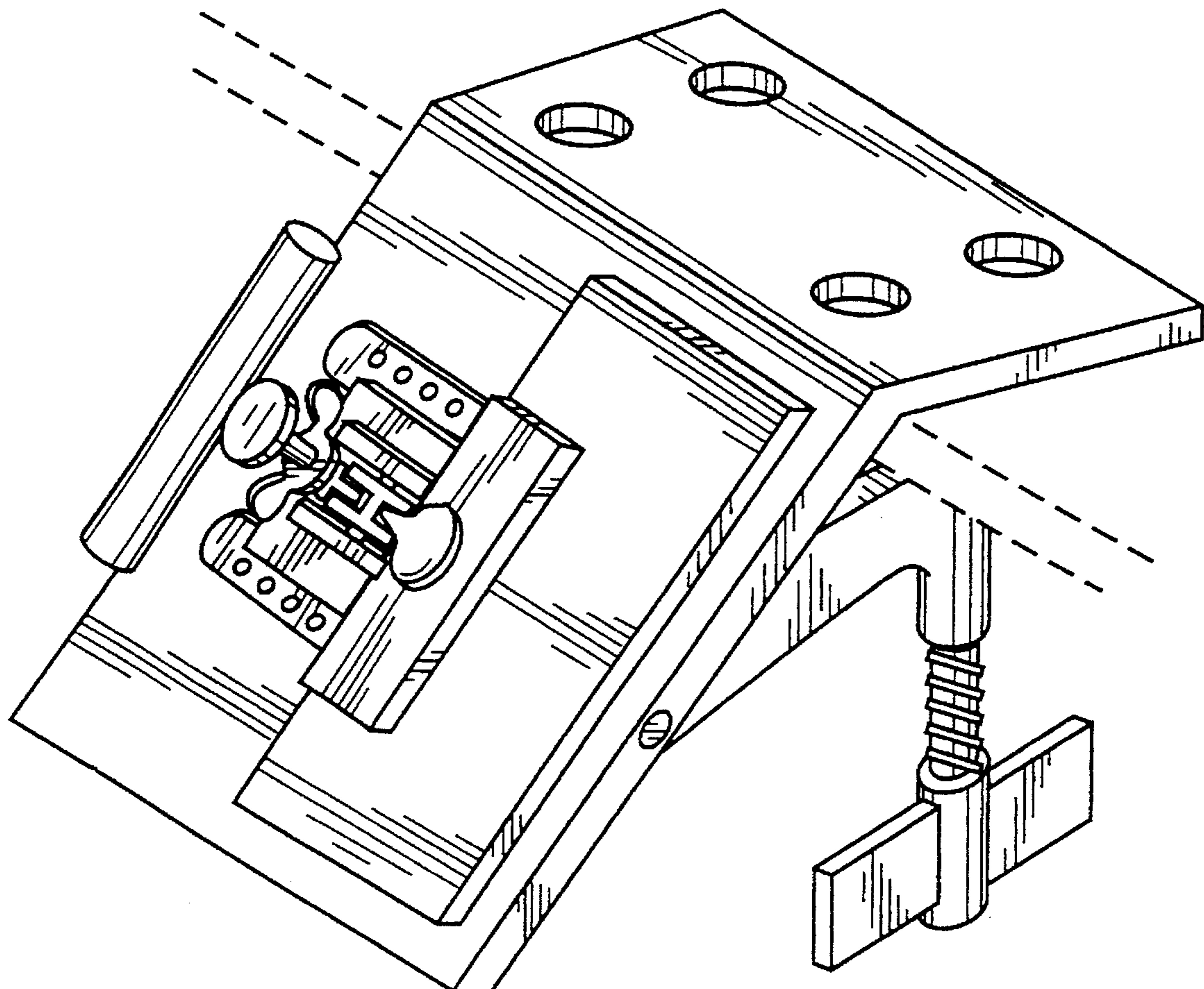
FIG. 1 is a perspective view of an archery bow holder showing my new design;  
FIG. 2 is a right side elevational view thereof;  
FIG. 3 is a left side elevational view thereof;  
FIG. 4 shows a top view of my claimed design;  
FIG. 5 shows a bottom view of my claimed design;  
FIG. 6 shows a further perspective view of my claimed design; and,  
FIG. 7 shows a rear elevational view of my claimed design.  
The broken line showing of the edge of a plane in FIGS. 1, and 2, and of an archery bow in FIG. 2, is for illustrative purposes only and forms no part of the claimed design.

[56] **References Cited**

**U.S. PATENT DOCUMENTS**

D. 190,138	4/1961	Noga et al. ....	D8/73
D. 308,405	6/1990	Yoder .....	D8/394 X
D. 340,631	10/1993	Hatcher .....	D8/72
4,220,311	9/1980	wolff .....	269/97
4,294,441	10/1981	O'Banion et al. ....	269/95 X
4,378,107	3/1983	Wagster et al. ....	264/95
5,048,504	9/1991	Ballard .....	248/122 X
5,377,657	1/1995	Foster et al. ....	124/86

**1 Claim, 5 Drawing Sheets**



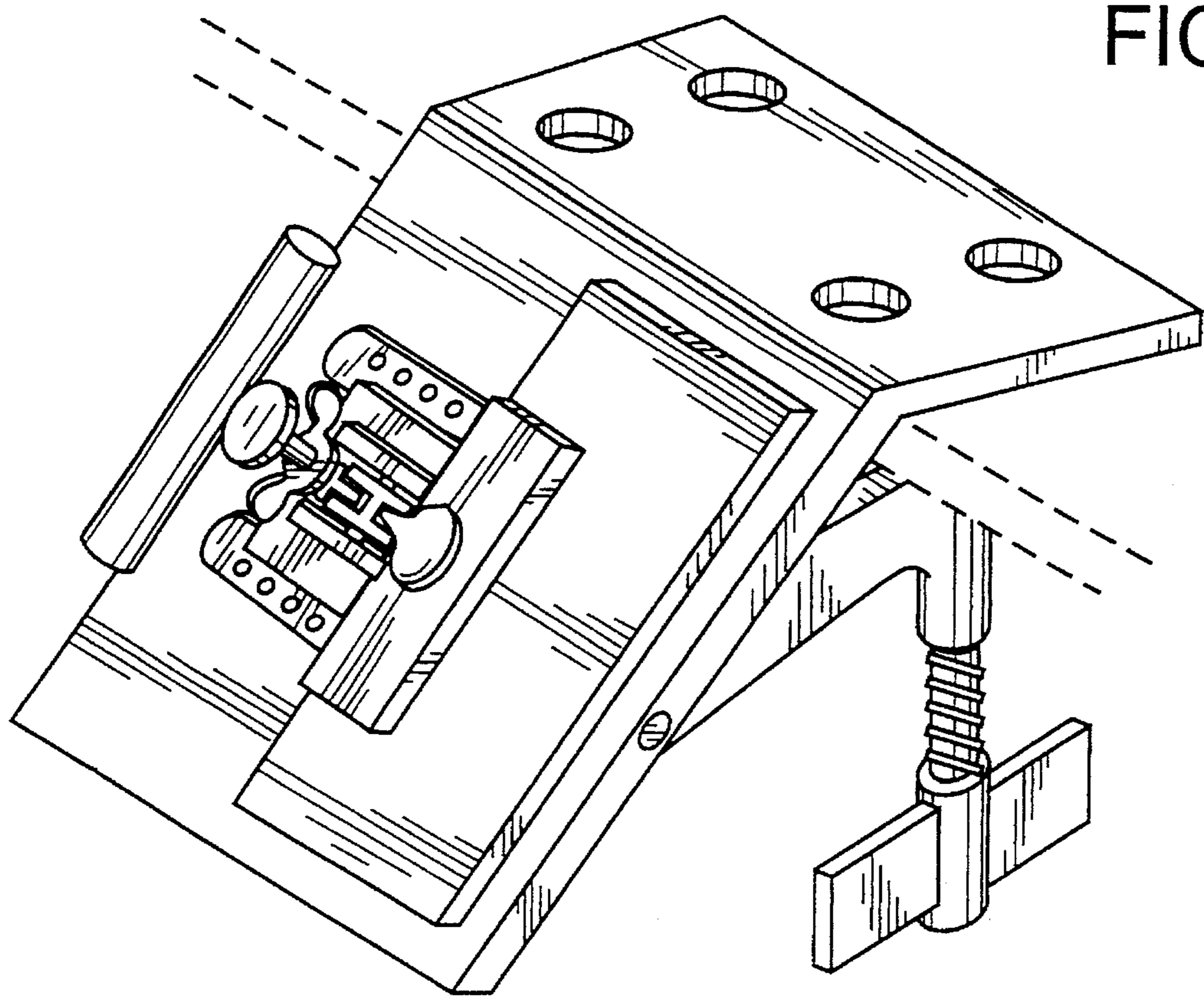
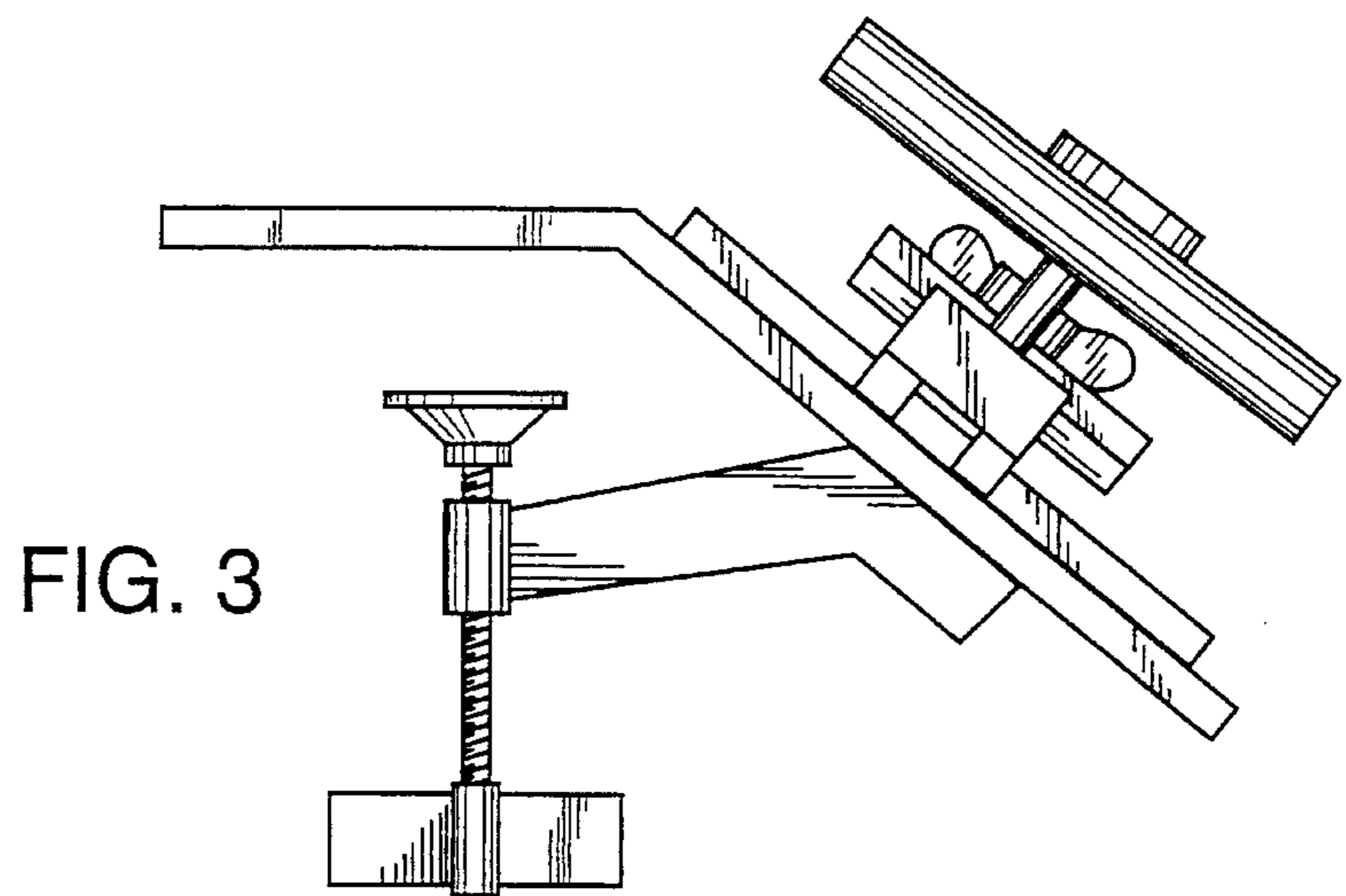
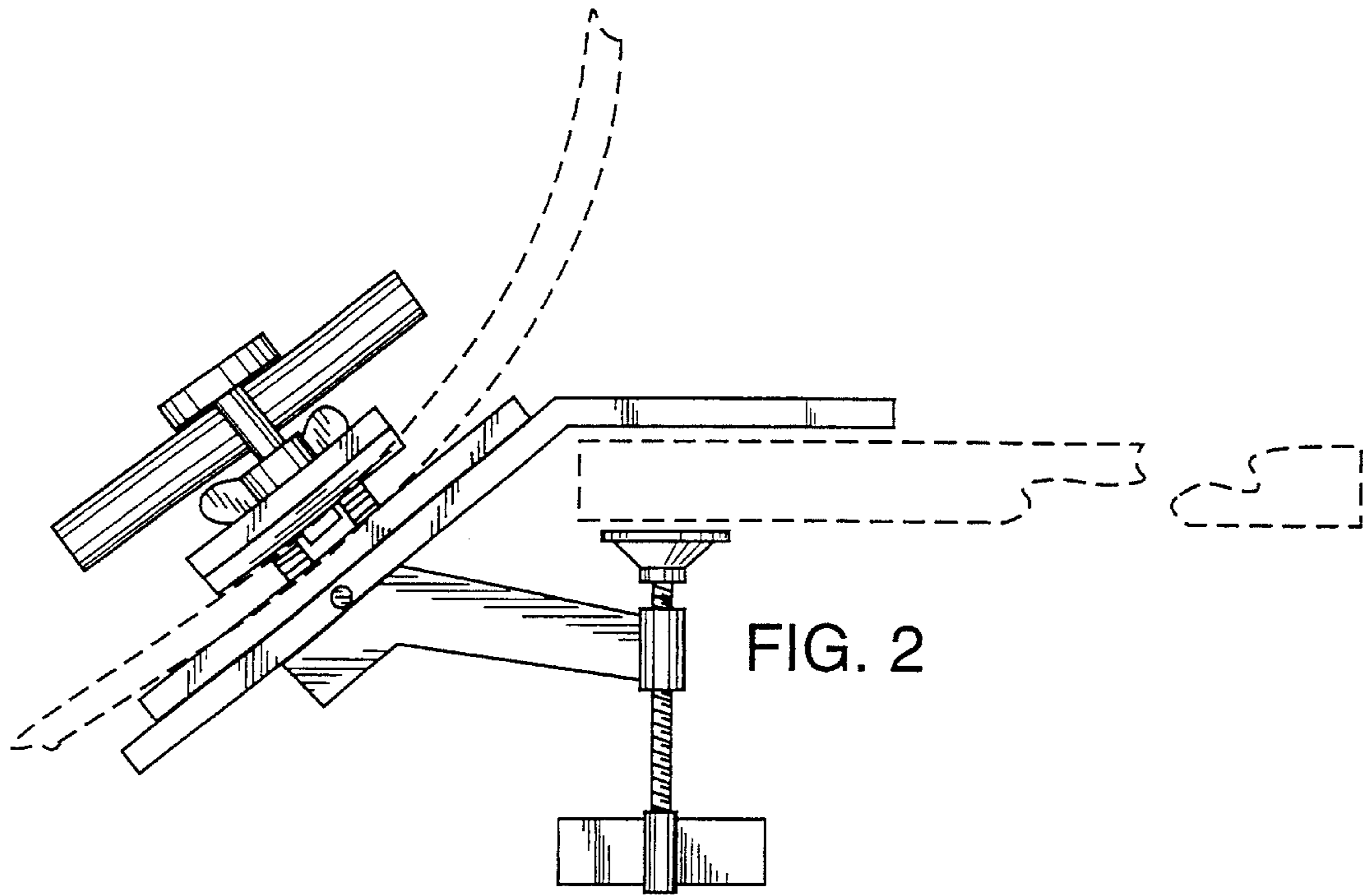


FIG. 1



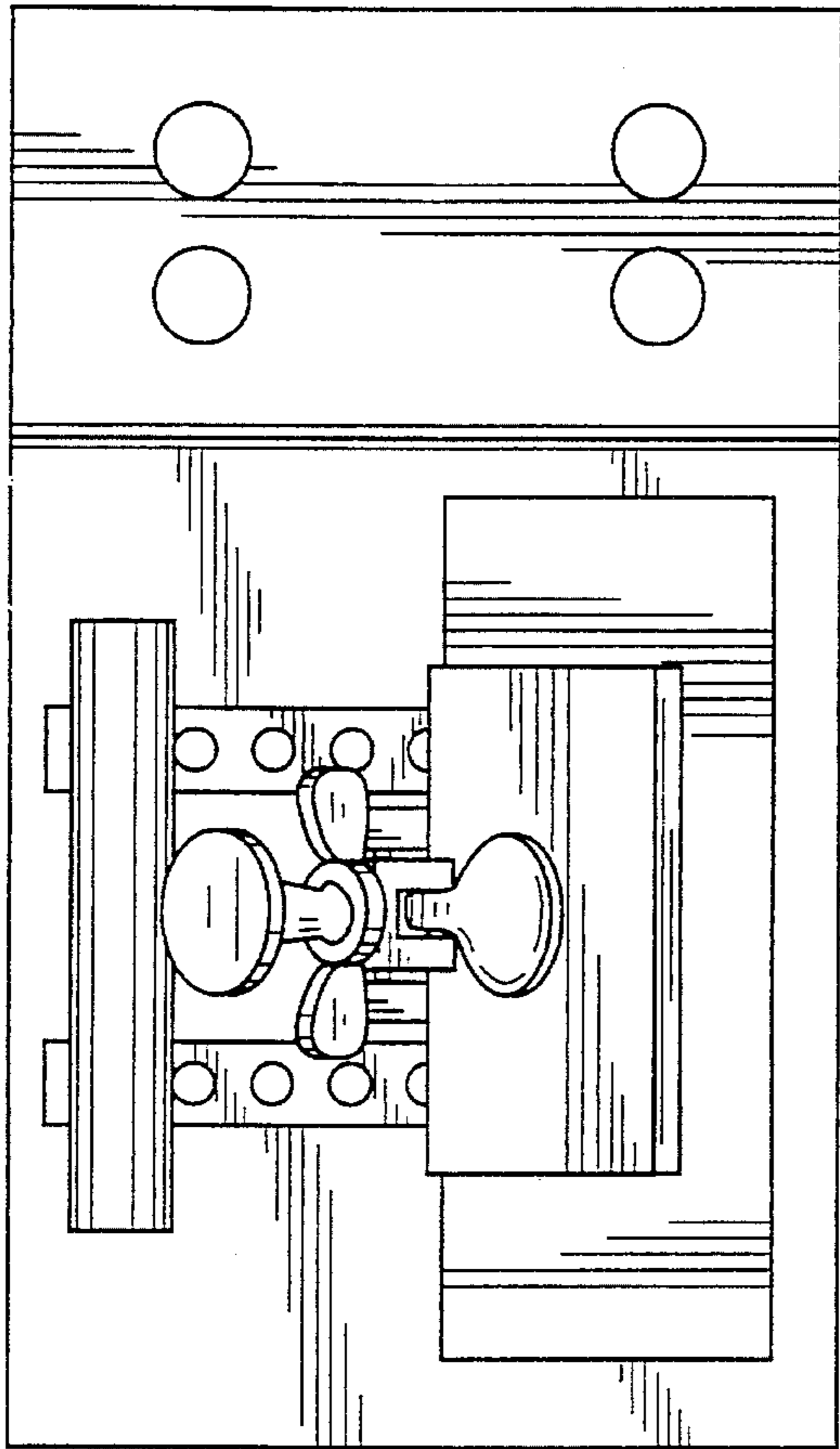
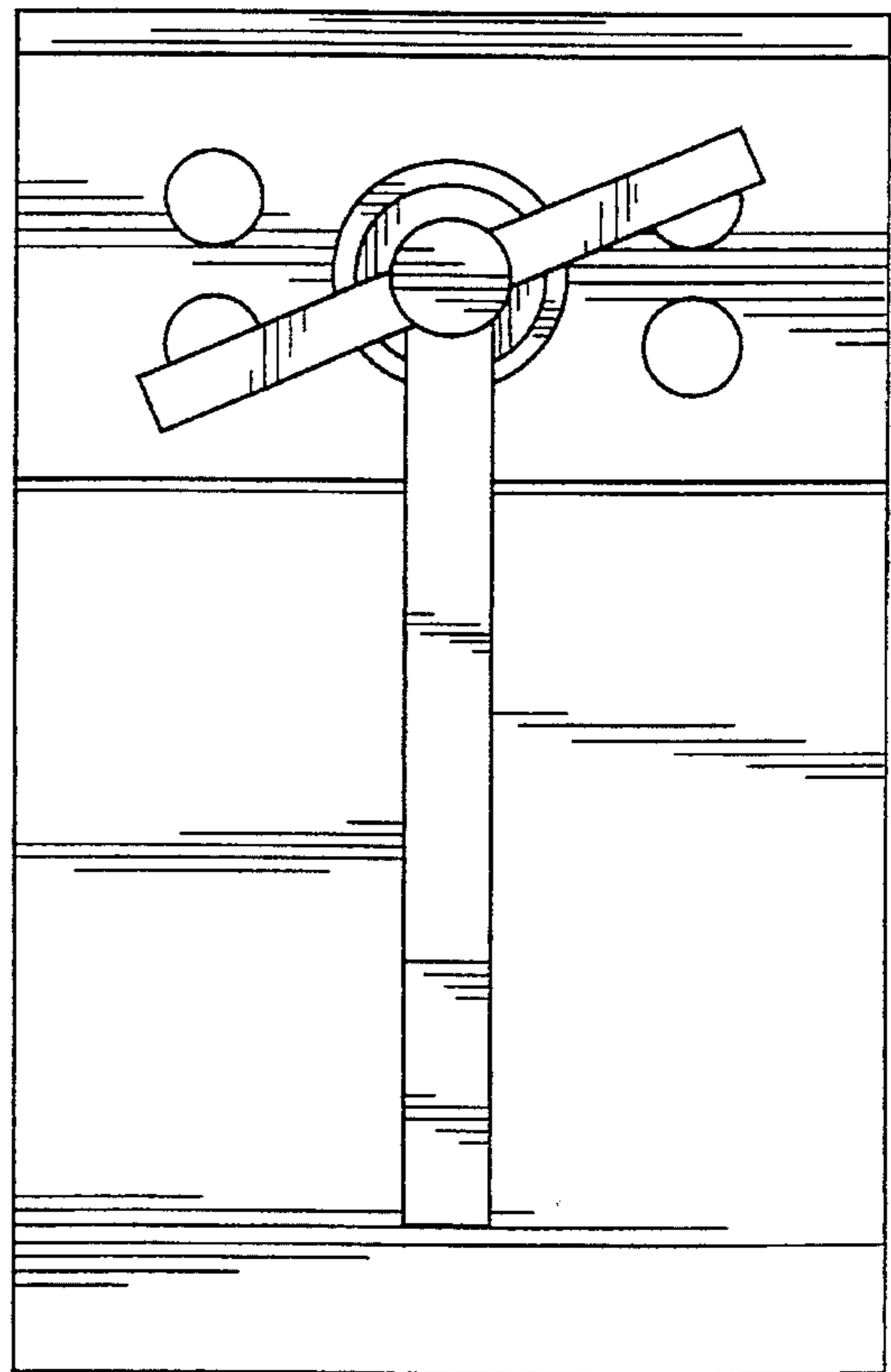


FIG. 4

FIG. 5



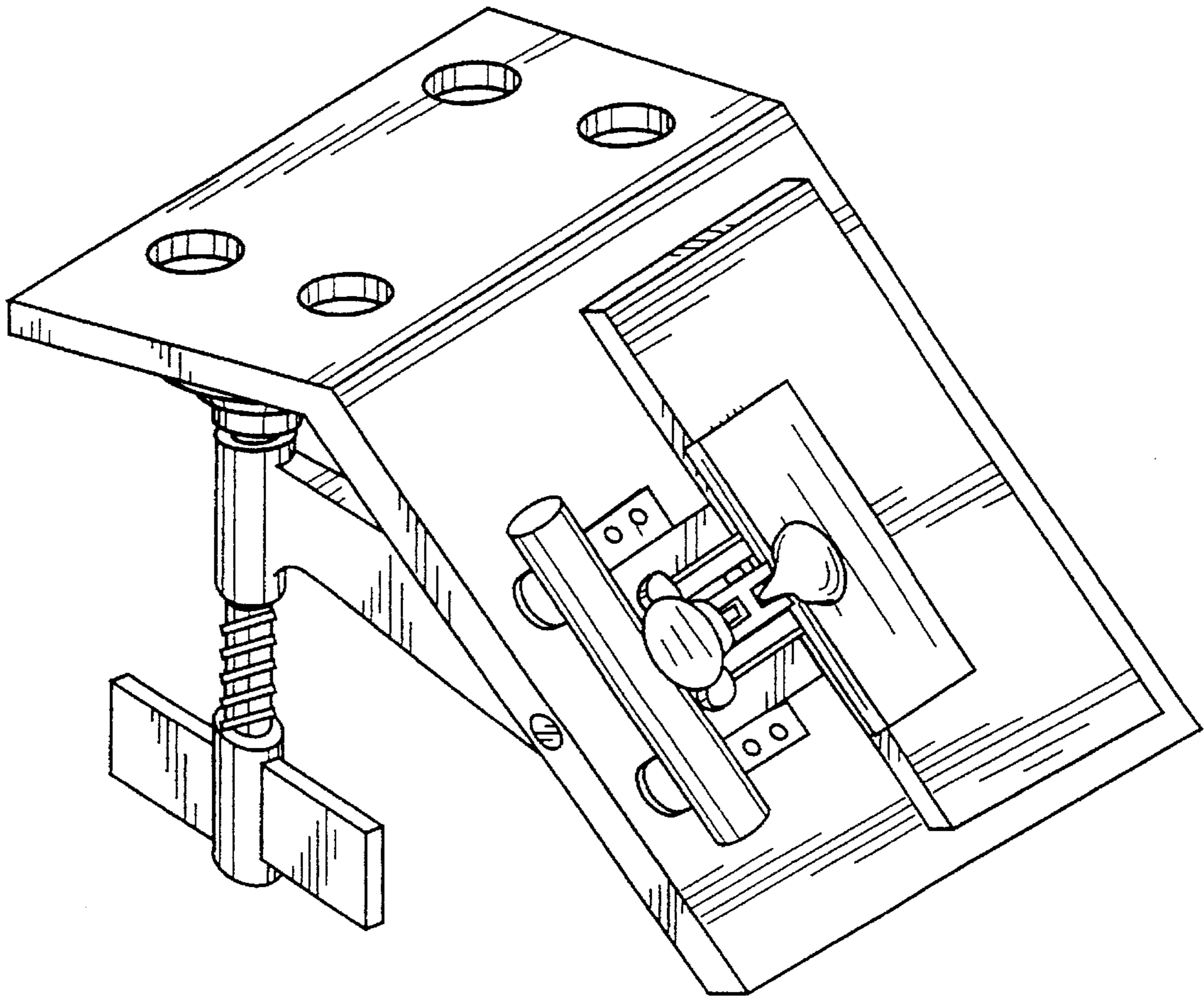


FIG. 6

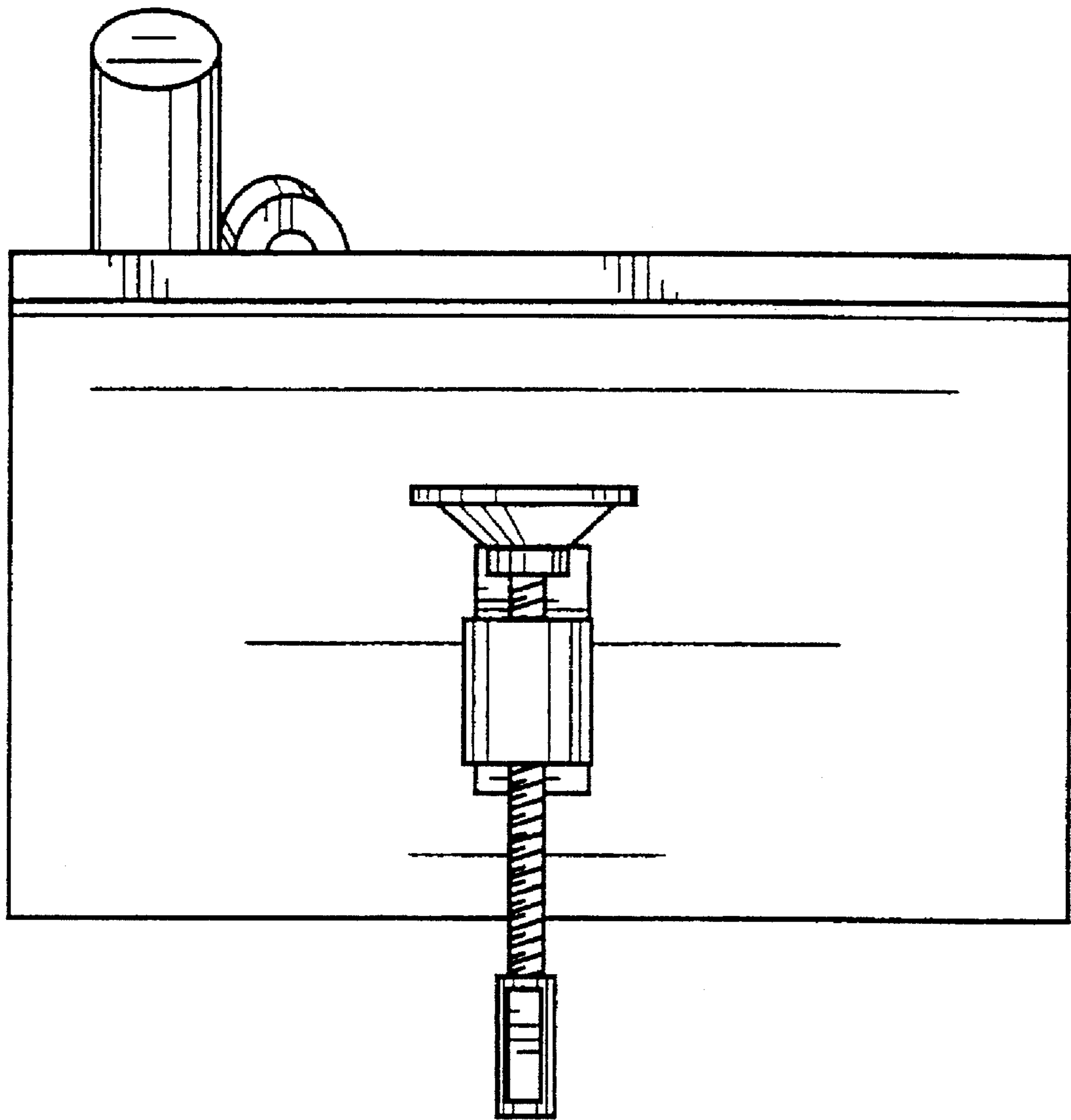


FIG. 7