



US00D371414S

United States Patent [19] King

[11] Patent Number: **Des. 371,414**

[45] Date of Patent: ****Jul. 2, 1996**

[54] **PLAYGROND SLIDE**

[75] Inventor: **Steven G. King**, Long Lake, Minn.

[73] Assignee: **Landscape Structures Inc.**, Delano, Minn.

[**] Term: **14 Years**

[21] Appl. No.: **23,883**

[22] Filed: **Jun. 2, 1994**

[52] U.S. Cl. **D21/242**

[58] Field of Search D21/244; 472/116, 472/117

[56] **References Cited**

U.S. PATENT DOCUMENTS

D. 269,104	5/1983	Brown	D21/244
3,302,949	2/1967	Wolfe	.	
4,149,710	4/1979	Rouchard	.	
4,211,400	7/1980	Ray	472/116
4,299,171	11/1981	Larson	472/117 X
4,394,173	7/1983	Aste	.	
4,487,411	12/1984	Ahrens	.	
4,811,943	3/1989	Ahrens	.	

FOREIGN PATENT DOCUMENTS

2135797	1/1973	Germany	472/117
---------	--------	---------	-------	---------

OTHER PUBLICATIONS

1994 Landscape Structures Inc. catalog of park and playground equipment (pages showing exemplary slides). pp. 62, 63, 64, 73, 86 and 87.

Primary Examiner—Dominic Simone
Assistant Examiner—Mitchell I. Siegel
Attorney, Agent, or Firm—Merchant, Gould, Smith, Edell, Welter & Schmidt

[57] **CLAIM**

The ornamental design for a playground slide, as shown and described.

DESCRIPTION

FIG. 1 is a perspective view of a playground slide showing my new design;

FIG. 2 is a front elevational view of the playground slide design;

FIG. 3 is a rear elevational view of the playground slide design;

FIG. 4 is a top plan view of the playground slide design;

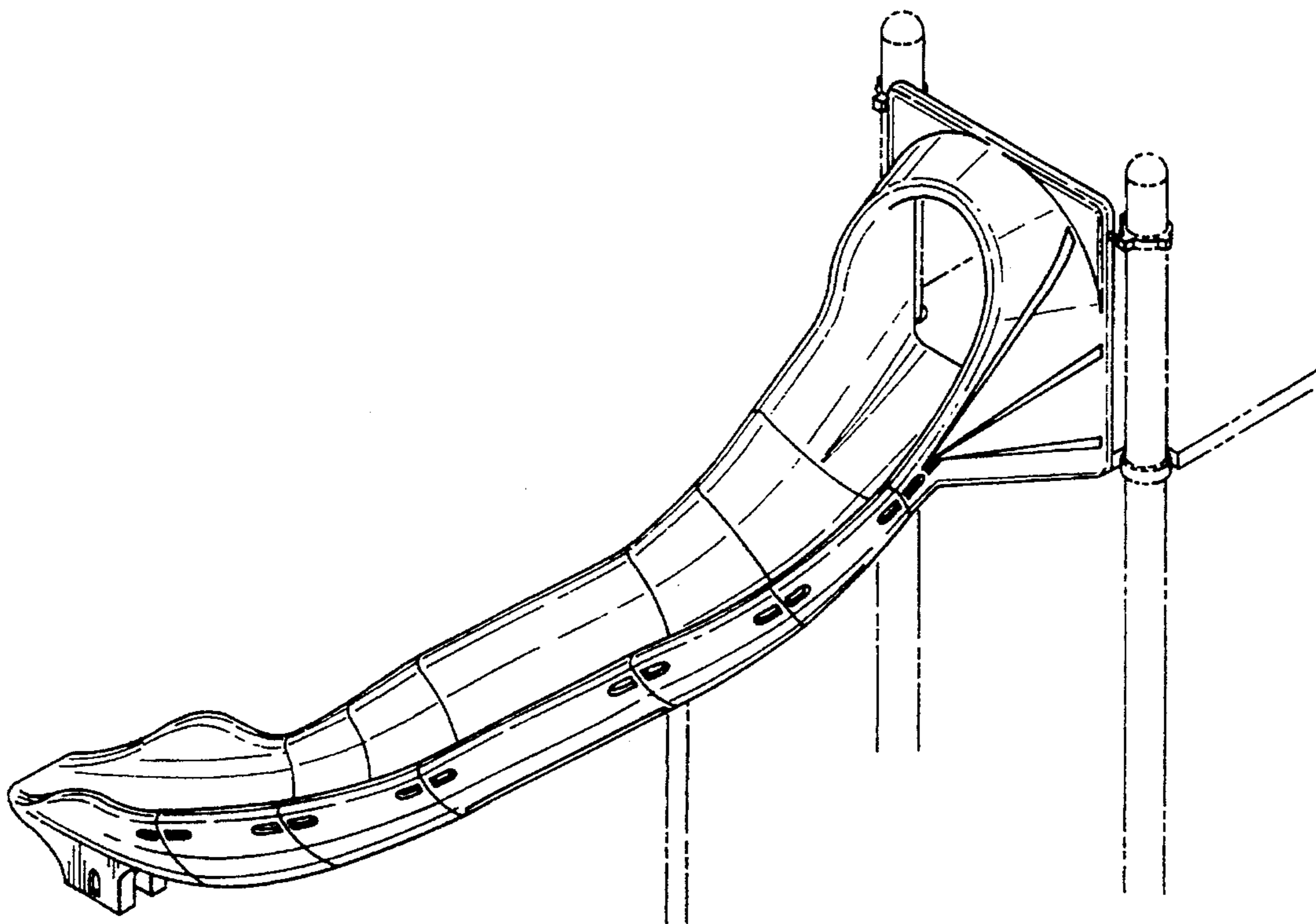
FIG. 5 is a bottom plan view of the playground slide design;

FIG. 6 is a left side elevational view of the playground slide design; and,

FIG. 7 is a right side elevational view of the playground slide design.

The broken line showing of fragmented tower on FIG. 1 is for illustrative purposes only and forms no part of the claimed design.

1 Claim, 7 Drawing Sheets



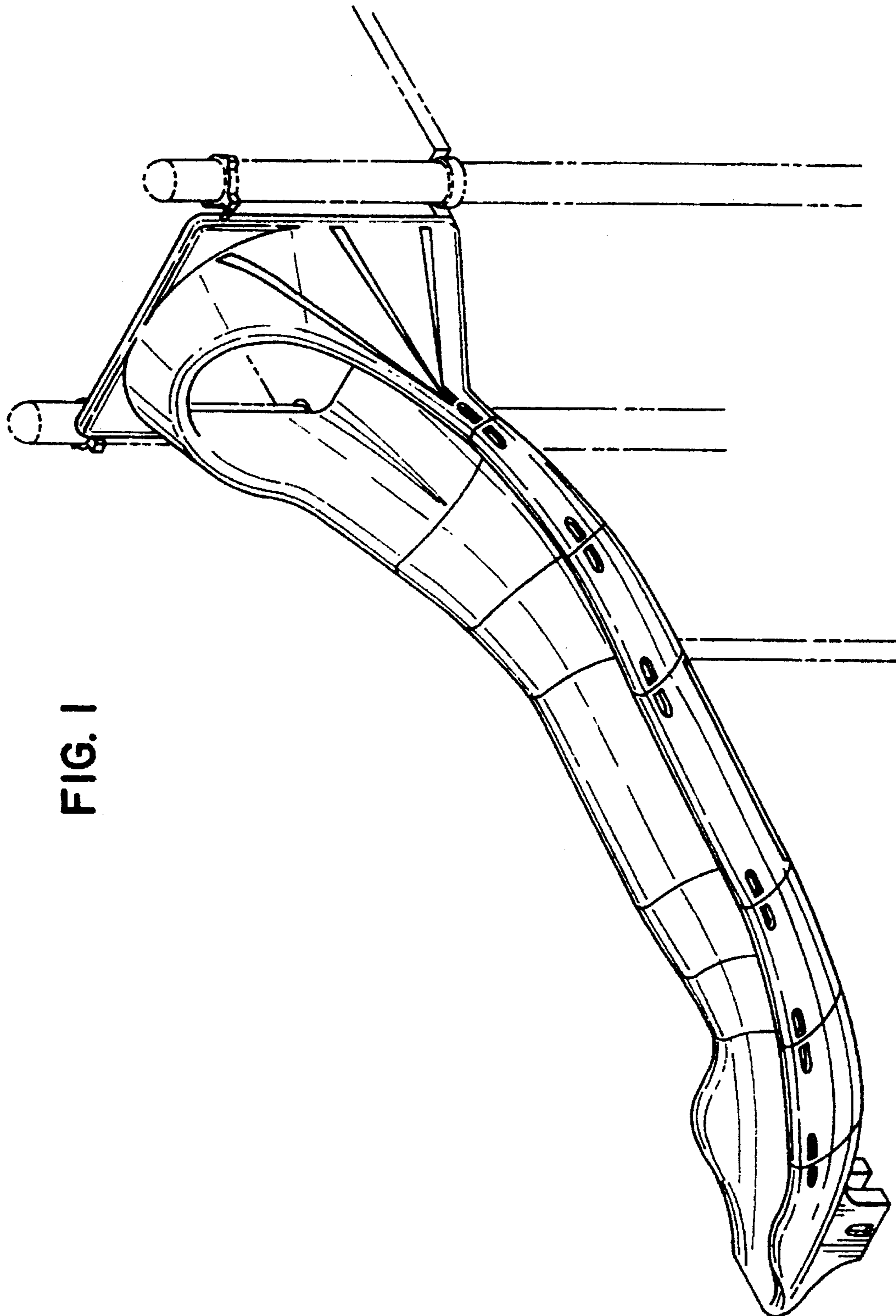


FIG. 1

FIG. 2

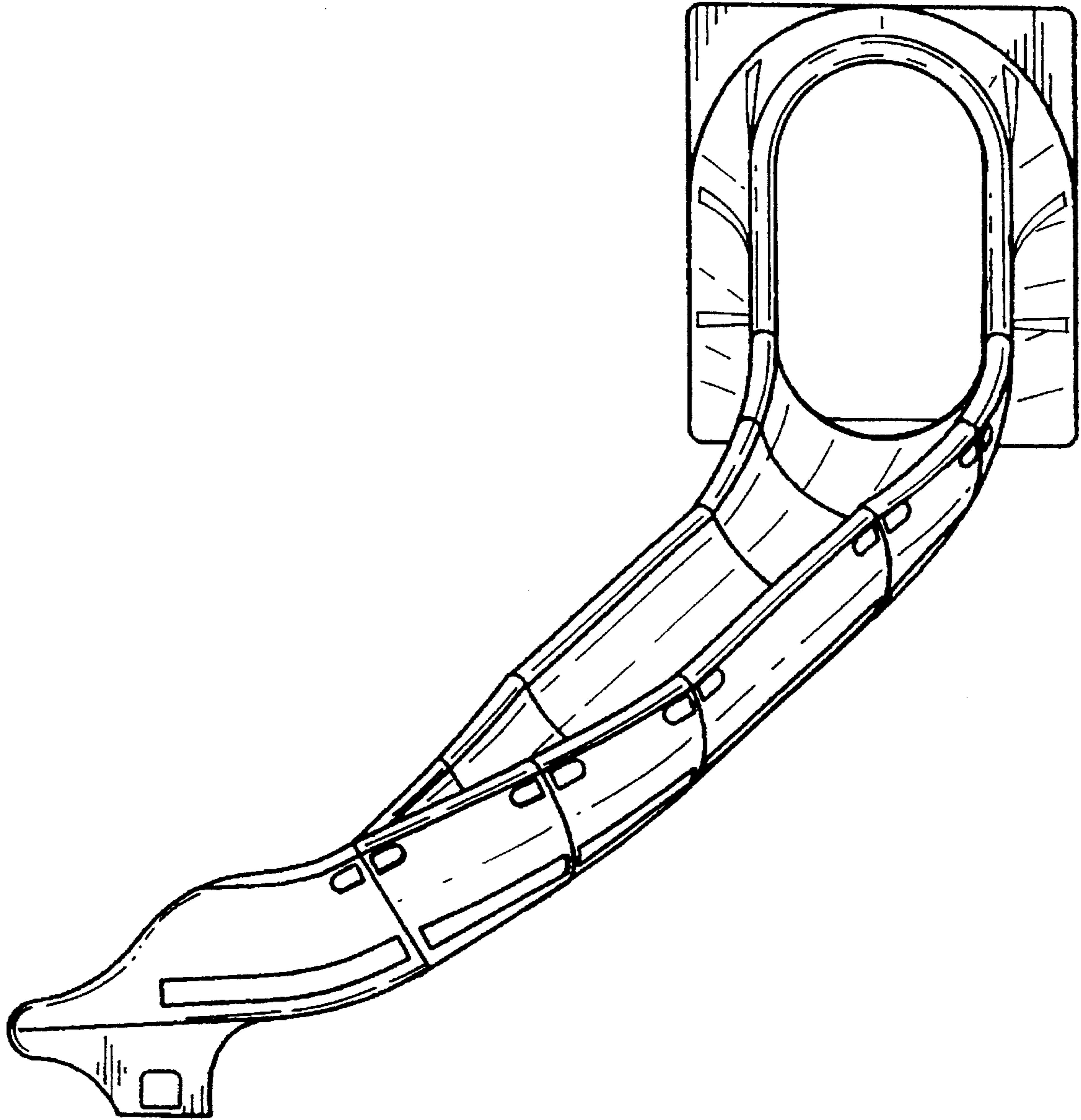
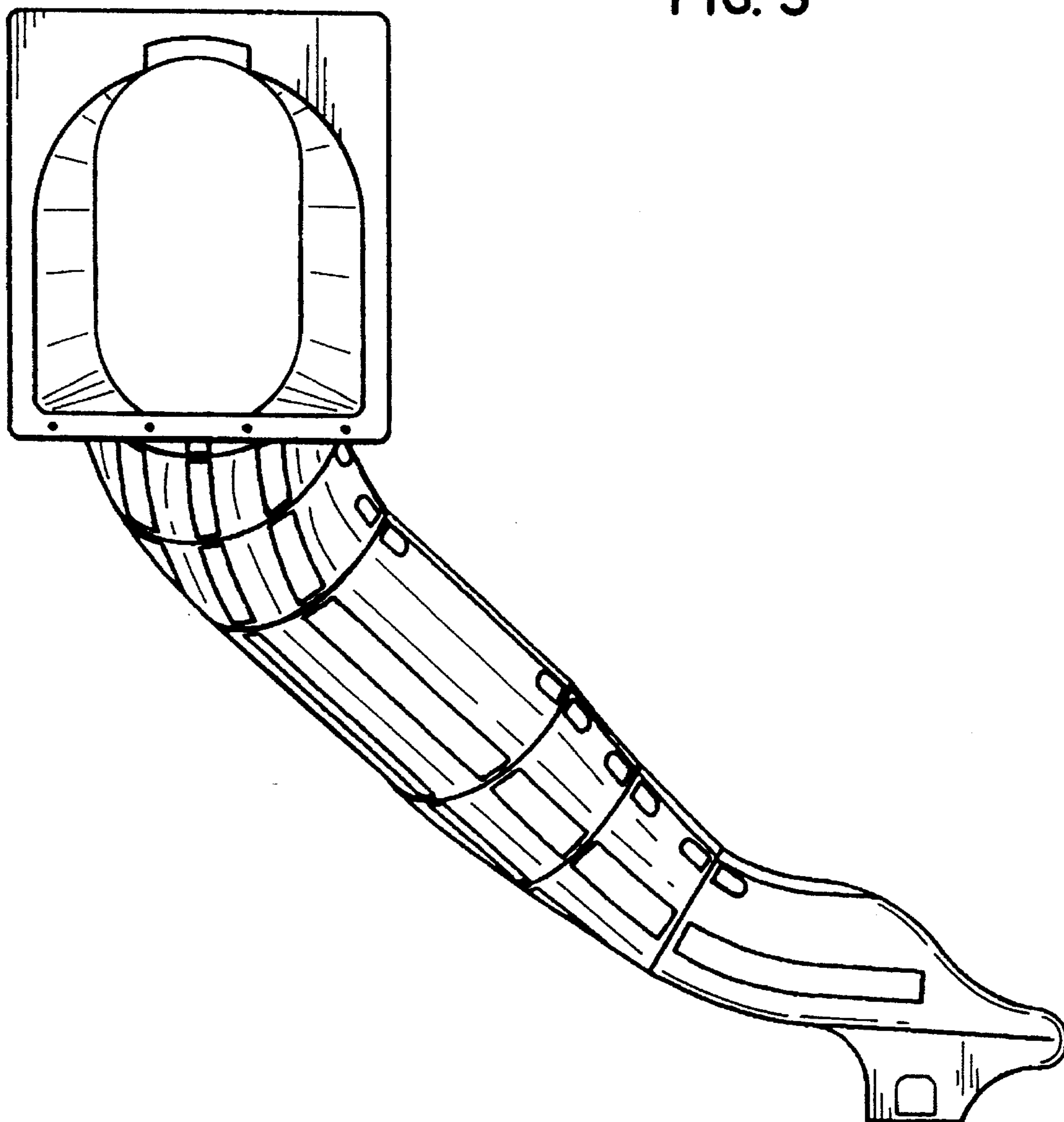


FIG. 3



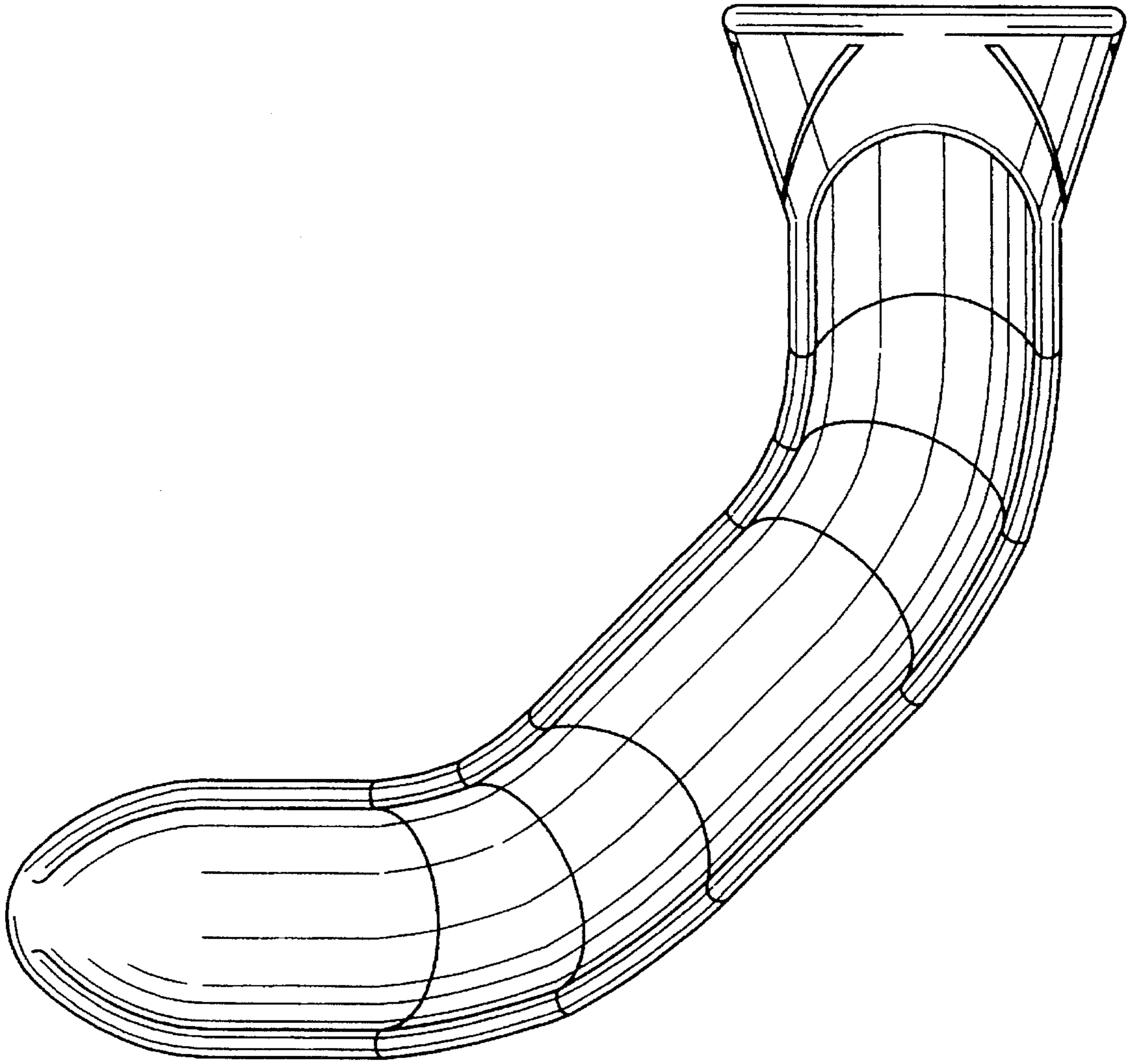


FIG. 4

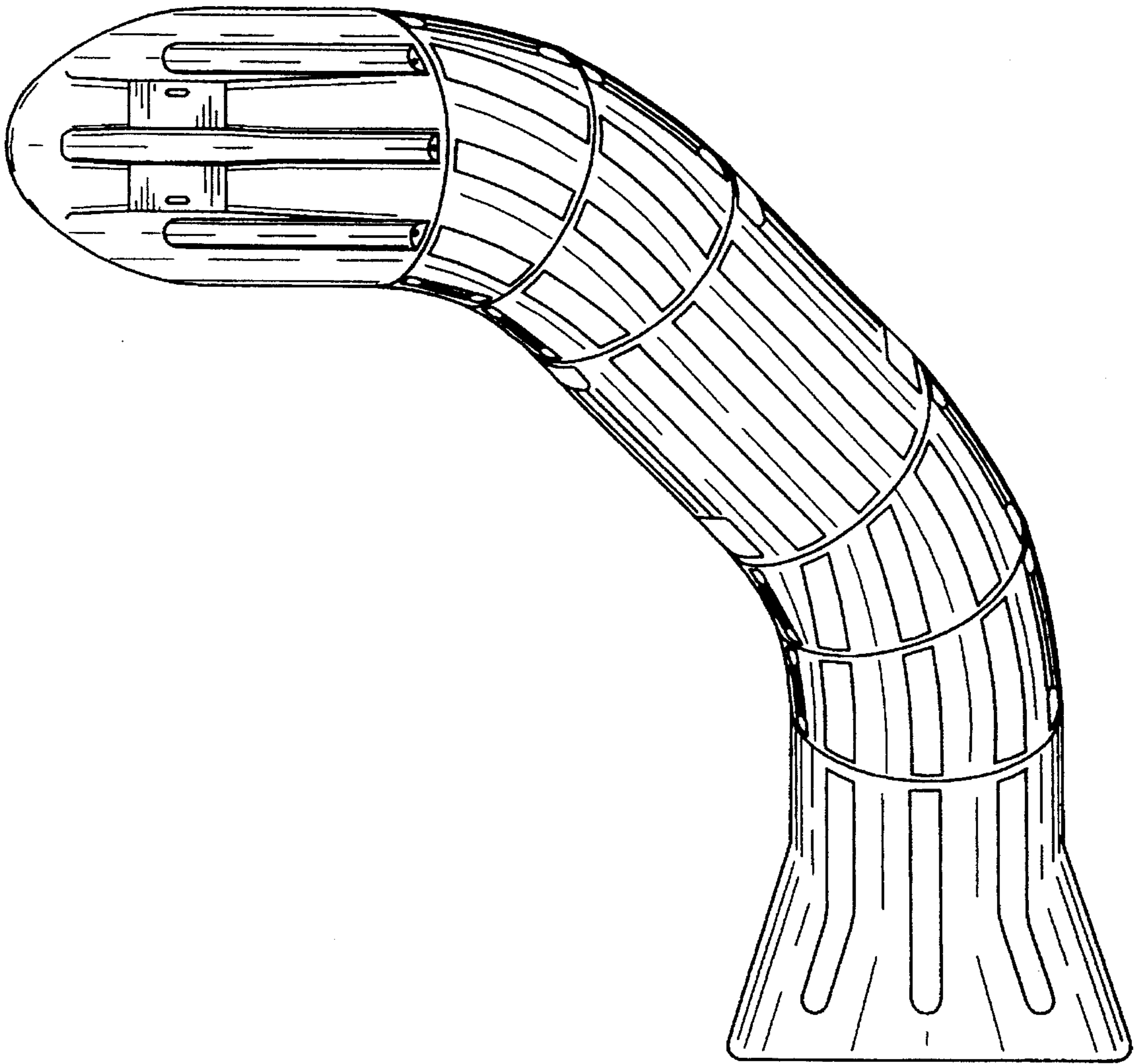


FIG. 5

FIG. 6

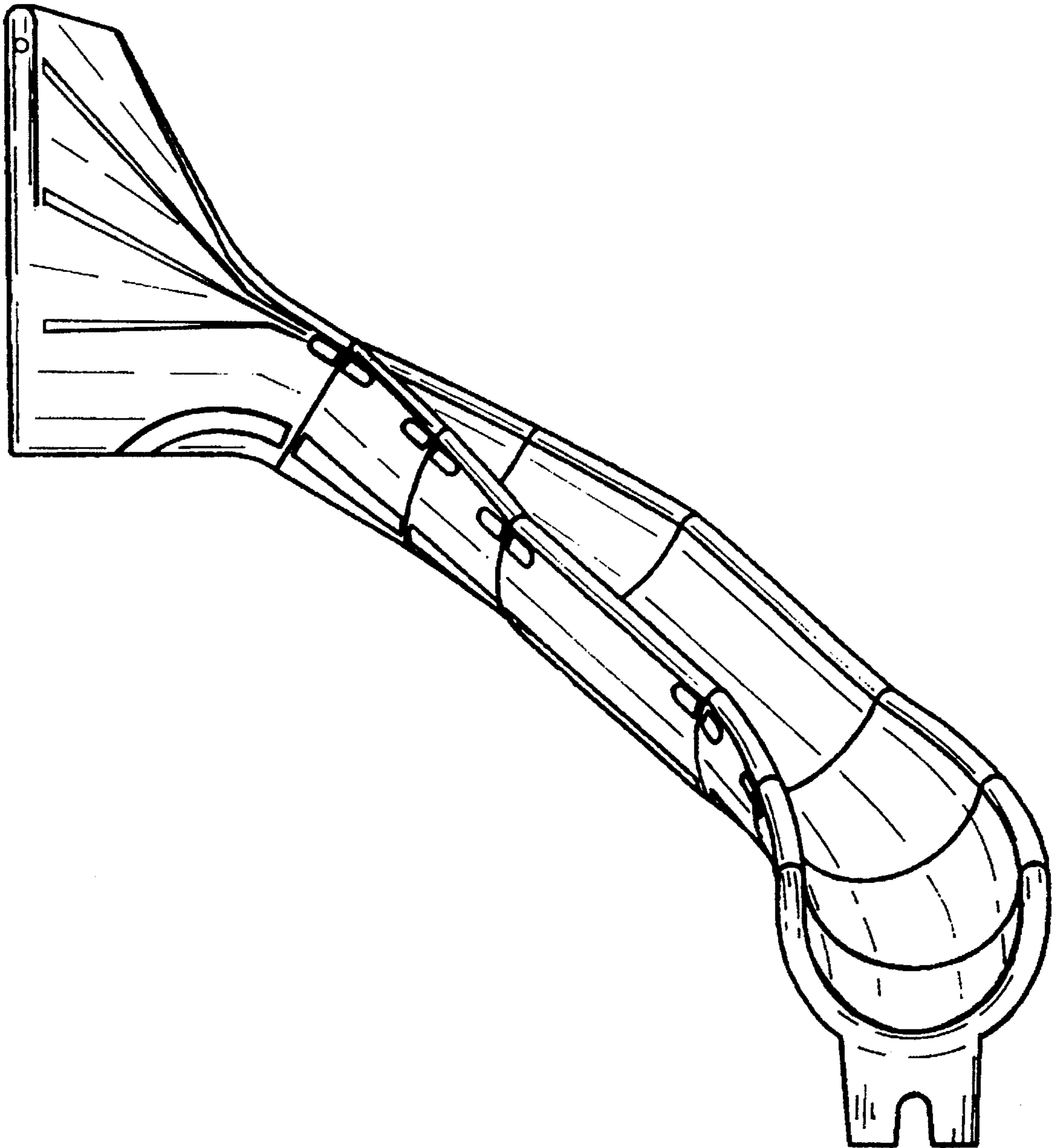


FIG. 7

