



US00D371412S

United States Patent [19]
Howard

[11] **Patent Number: Des. 371,412**

[45] **Date of Patent: **Jul. 2, 1996**

[54] **GOLF SWING PRACTICE DEVICE**

[76] Inventor: **Chuck Howard**, 201 Ocean Ave.,
A902B, Santa Monica, Calif. 90402

[**] Term: **14 Years**

[21] Appl. No.: **38,896**

[22] Filed: **May 15, 1995**

[52] U.S. Cl. **D21/234; D21/215**

[58] Field of Search D21/234, 215;
273/162 R, 164, 186 A, 194 A, 167 A-K-175

[56] **References Cited**

U.S. PATENT DOCUMENTS

D. 237,515	11/1975	Thiel	D21/214 X
D. 247,919	5/1978	Goyette, Jr.	D21/214
D. 300,760	4/1989	Krokus, Sr.	D21/234
D. 309,649	7/1990	Archer	D21/214

OTHER PUBLICATIONS

Golf Day; p. 26; Matzie practice club, upper right corner of page.

Primary Examiner—Terry A. Wallace

Assistant Examiner—M. Siegel

Attorney, Agent, or Firm—Cislo & Thomas

[57] **CLAIM**

The ornamental design for a golf swing practice device, as shown and described.

DESCRIPTION

FIG. 1 is a perspective view of a golf swing practice device; FIG. 2 is a front elevational view thereof; FIG. 3 is a right side elevational view, with the left side elevational view being a mirror image thereof; FIG. 4 is a rear elevational view thereof; FIG. 5 is a bottom plan view thereof; and, FIG. 6 is a top plan view thereof.

1 Claim, 1 Drawing Sheet



FIG. 1.

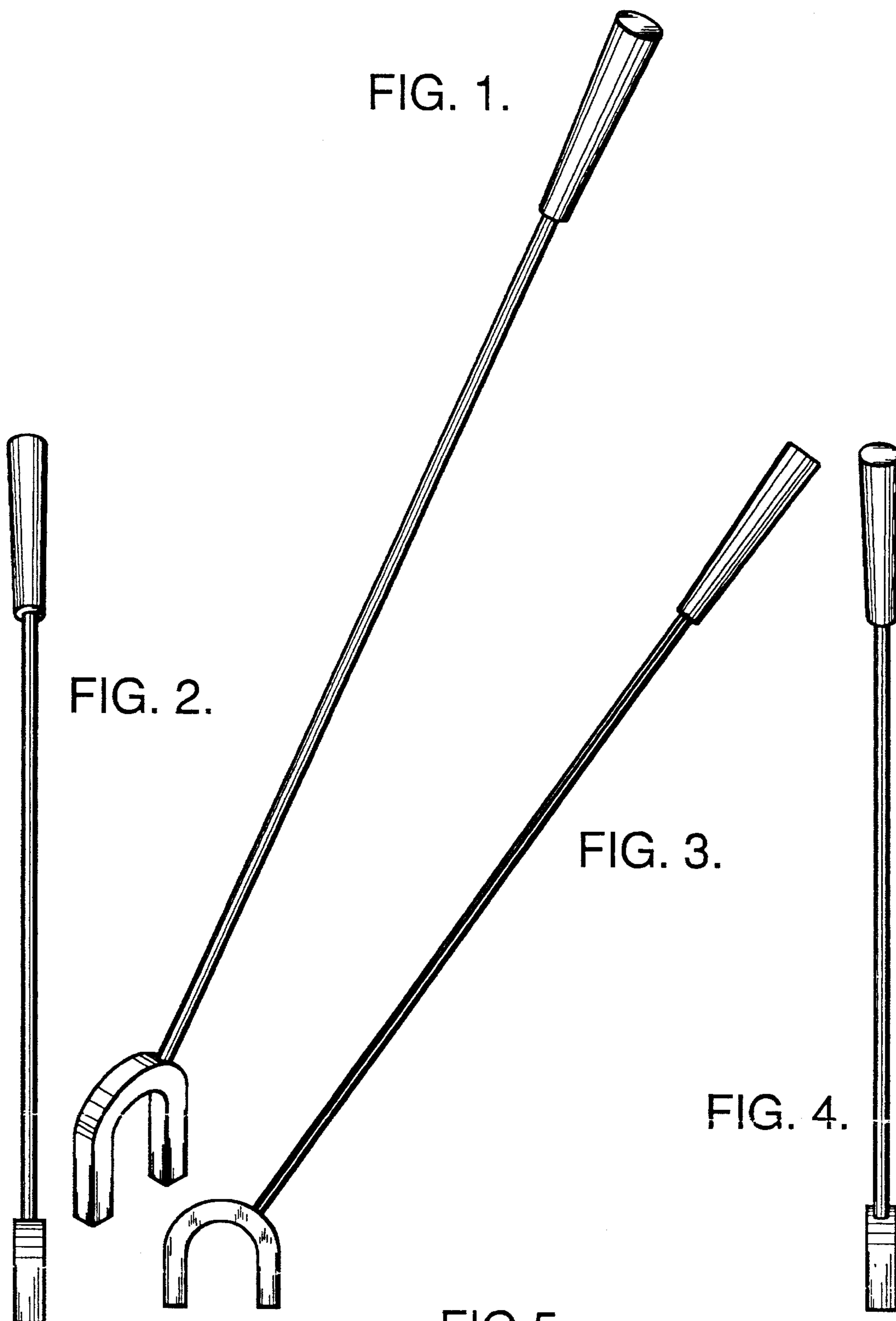


FIG. 2.



FIG. 3.

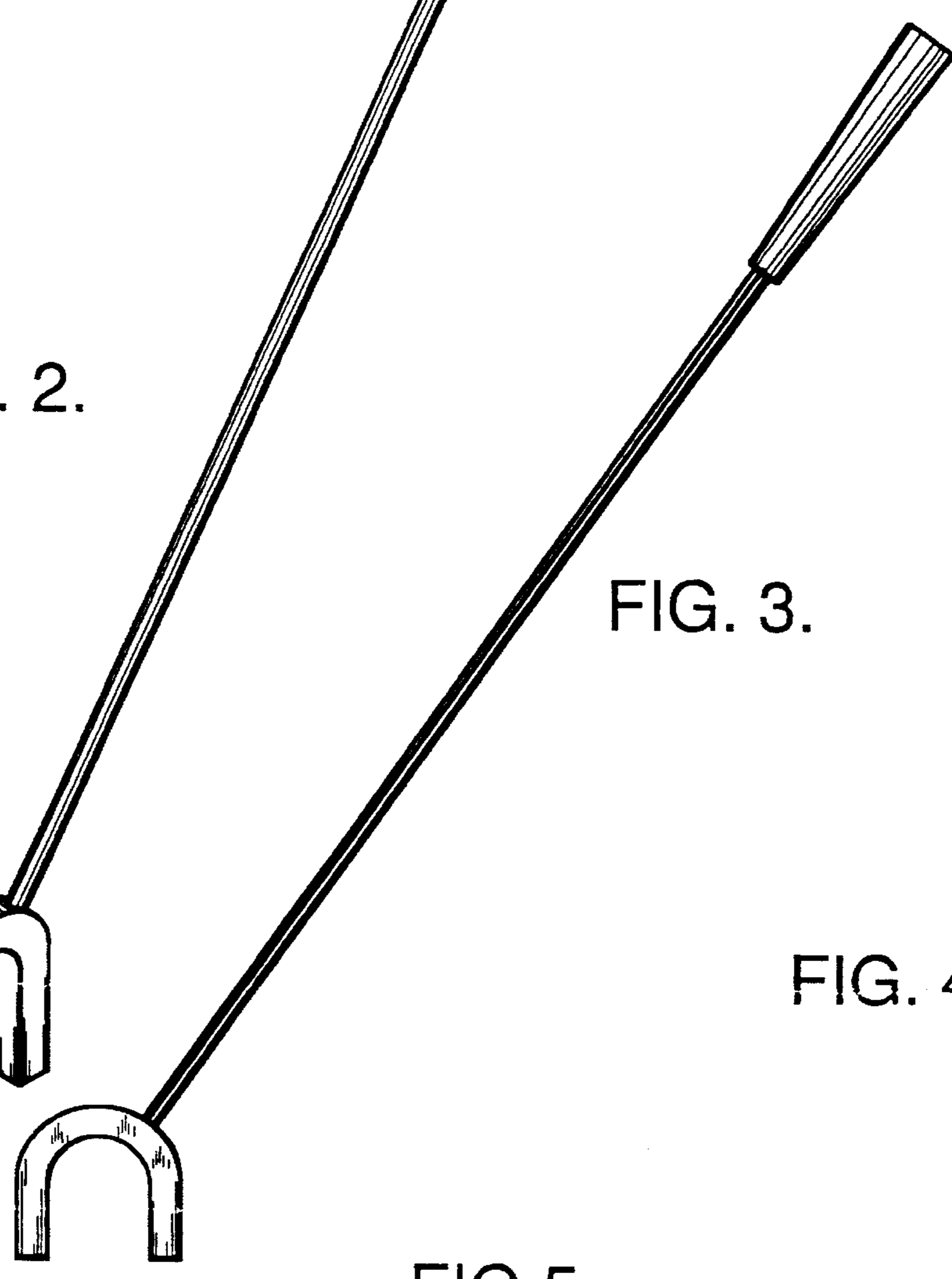


FIG. 4.



FIG. 5.



FIG. 6.

