



US00D371410S

United States Patent [19] Kupstas

[11] Patent Number: **Des. 371,410**

[45] Date of Patent: ****Jul. 2, 1996**

[54] ICE DIVING SAFETY BEAM

FOREIGN PATENT DOCUMENTS

[76] Inventor: **Stephen J. Kupstas**, 255 Courtland Blvd., Eastlake, Ohio 44095

2183555 6/1987 United Kingdom 441/80

[**] Term: **14 Years**

Primary Examiner—Kay H. Chin
Attorney, Agent, or Firm—Terry M. Gernstein

[21] Appl. No.: **19,480**

[57] **CLAIM**

[22] Filed: **Mar. 3, 1994**

The ornamental design for an ice diving safety beam, as shown and described.

[52] U.S. Cl. **D21/236**; D29/124

[58] Field of Search D21/236; D29/124;
441/82, 80, 84, 136; D34/35; 114/315

DESCRIPTION

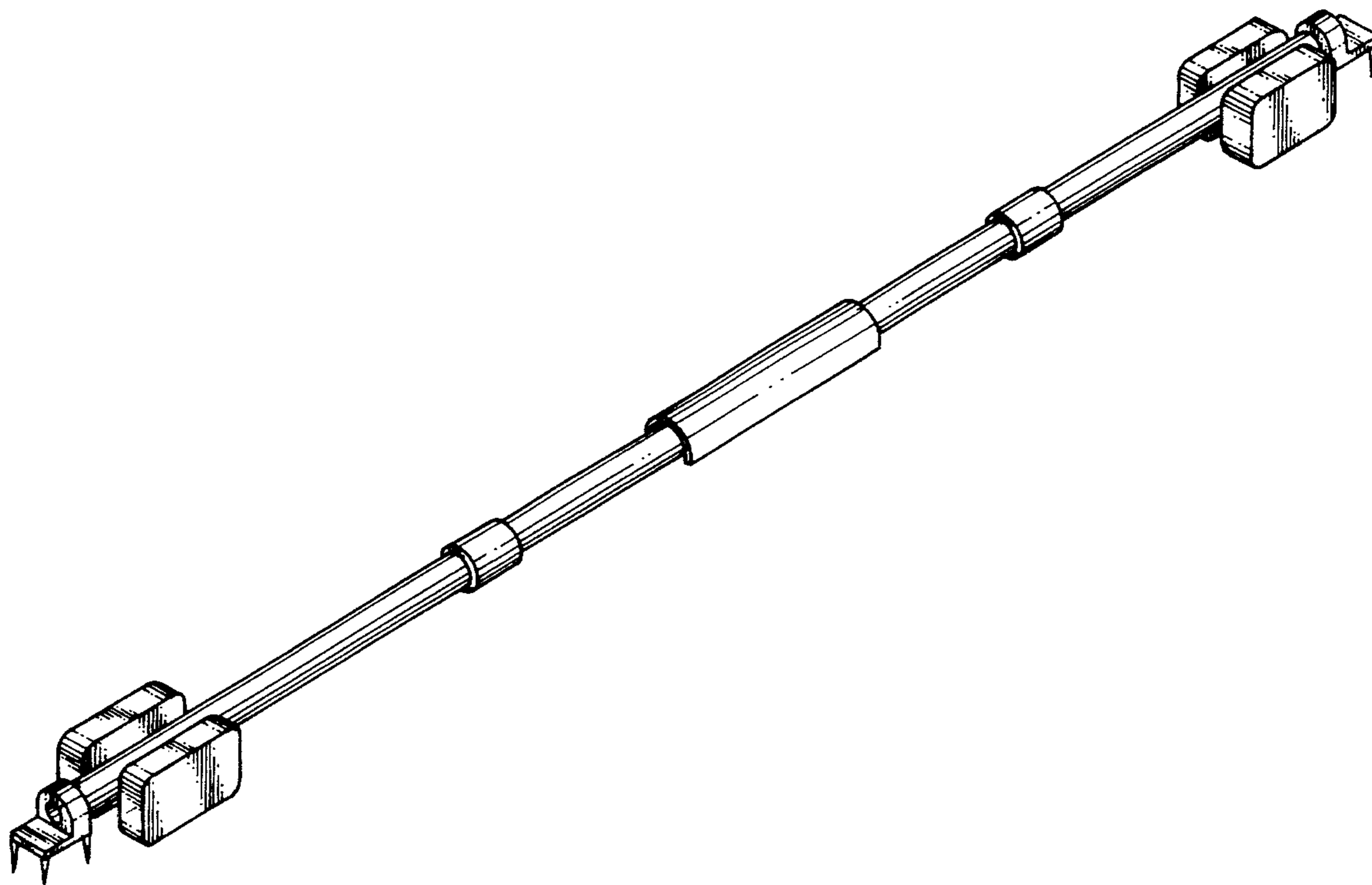
[56] **References Cited**

U.S. PATENT DOCUMENTS

4,179,764	12/1979	Lindblade	441/82
4,227,273	10/1980	Lucciola	441/136
4,547,164	10/1985	Coles et al.	441/84
4,854,257	8/1989	Grayson	114/315
4,919,631	4/1990	Stafford	114/315
5,082,464	1/1992	Clink	114/315

FIG. 1 is a front, top and side perspective view of the ice diving safety beam showing my new design;
FIG. 2 is a front elevational view thereof, the rear being a mirror image of the front shown in FIG. 2;
FIG. 3 is an end elevational view thereof, the end opposite being a mirror image of the end shown in FIG. 3;
FIG. 4 is a top plan view thereof; and,
FIG. 5 is a bottom plan view thereof.

1 Claim, 2 Drawing Sheets



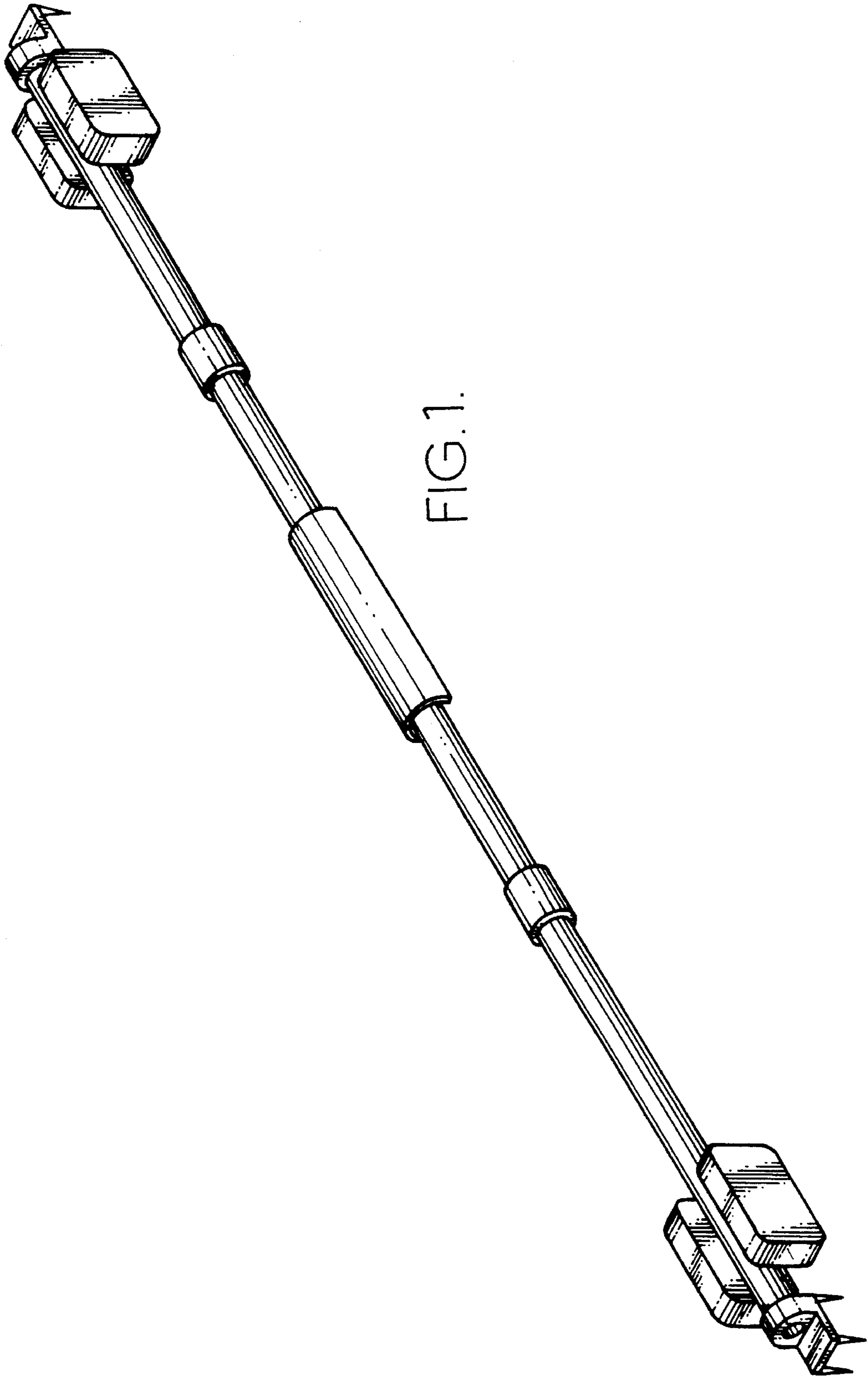


FIG.1.

FIG. 2.

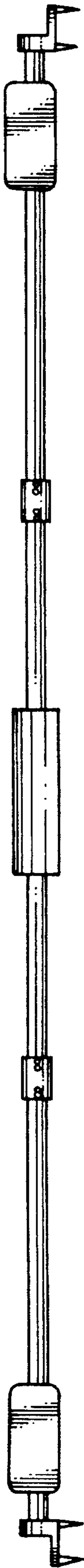


FIG. 4.

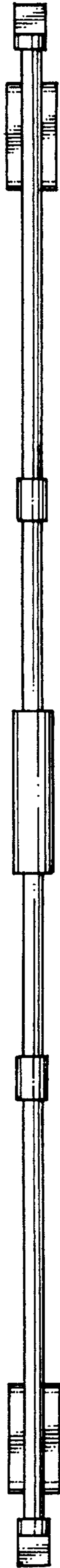


FIG. 5.

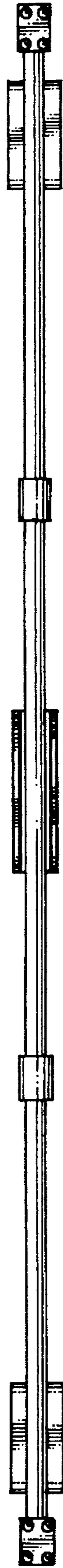


FIG. 3.

