



US00D371409S

# United States Patent [19]

[11] Patent Number: **Des. 371,409**

Mohr

[45] Date of Patent: **\*\*Jul. 2, 1996**

## [54] WHEEL FOR IN-LINE SKATES

## OTHER PUBLICATIONS

[76] Inventor: **Shawn M. Mohr**, 3930 Laurel Canyon Blvd., Apt. 122, Studio City, Calif. 91604

Roller Blade Catalog 1989-1990 p. 12.

[\*\*] Term: **14 Years**

*Primary Examiner*—Ted Shooman  
*Assistant Examiner*—R. Barkai  
*Attorney, Agent, or Firm*—Ashen, Galant & Lippman

[21] Appl. No.: **35,947**

## [57] CLAIM

[22] Filed: **Mar. 8, 1995**

The ornamental design for a wheel for in-line skates, as shown and described.

[52] U.S. Cl. .... **D21/226**

## DESCRIPTION

[58] Field of Search ..... D21/224-227,  
D21/230; 280/11.2, 11.12, 11.19, 11.22,  
11.26, 11.27, 809, 825, 841

FIG. 1 is a perspective view of the wheel for in-line skates embodying the present invention;

FIG. 2 is a front view;

FIG. 3 is a rear view;

FIG. 4 is a top view;

FIG. 5 is a bottom view;

FIG. 6 is a side view; and,

FIG. 7 is the other side view.

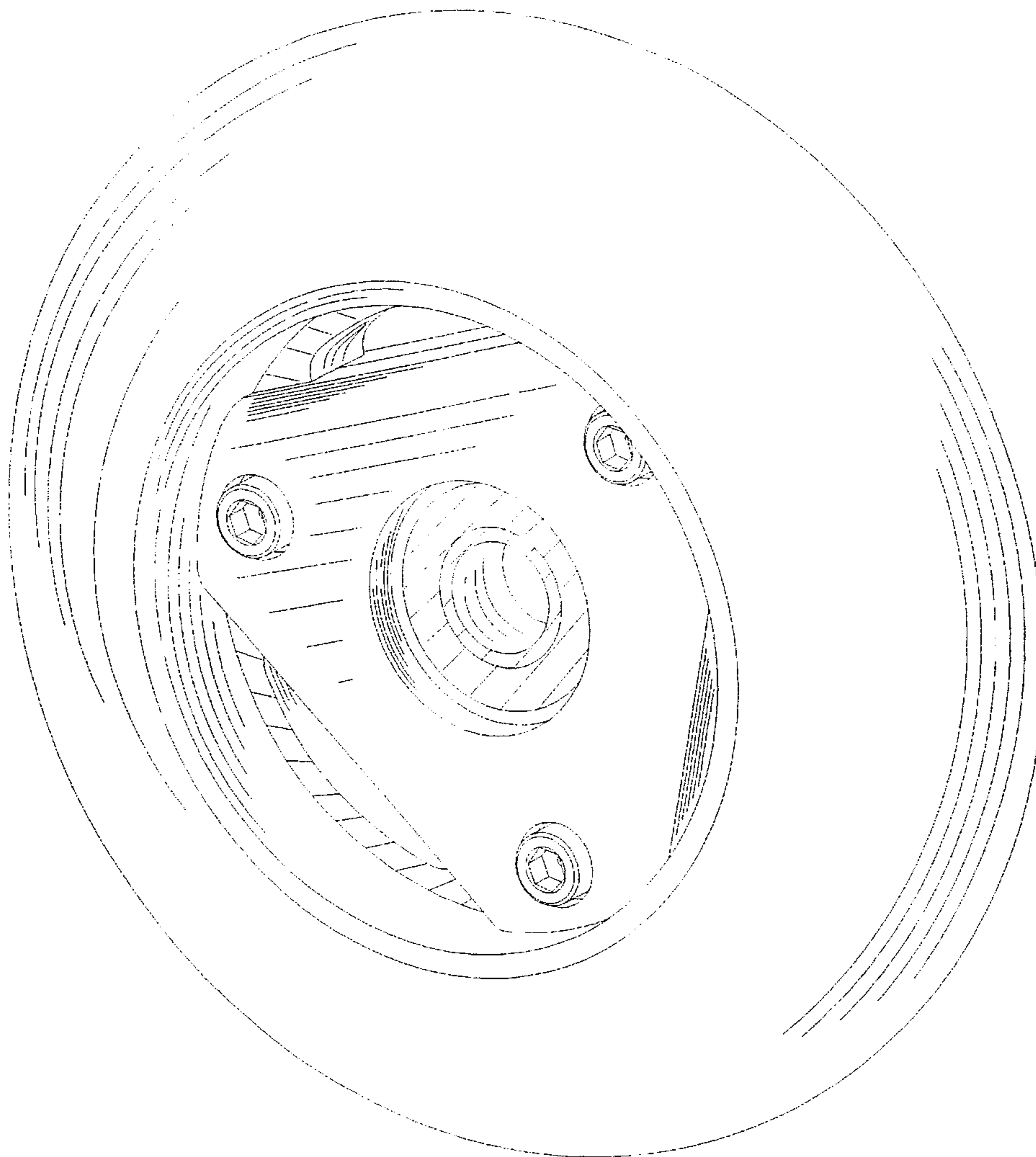
The wheel for in-line skates is symmetrical so that it has the same appearance from the top, the bottom, and both sides.

## [56] References Cited

### U.S. PATENT DOCUMENTS

|            |         |               |       |           |
|------------|---------|---------------|-------|-----------|
| D. 262,130 | 12/1981 | Yoshimoto     | ..... | D21/226   |
| D. 265,495 | 7/1982  | Dominy et al. | ..... | D21/226   |
| D. 354,538 | 1/1995  | Skerbinjek    | ..... | D21/226   |
| 5,068,956  | 12/1991 | Malewicz      | ..... | 280/11.27 |
| 5,280,931  | 1/1994  | Horton        | ..... | 280/11.22 |
| 5,393,077  | 2/1995  | Wanous        | ..... | 280/11.22 |

**1 Claim, 4 Drawing Sheets**



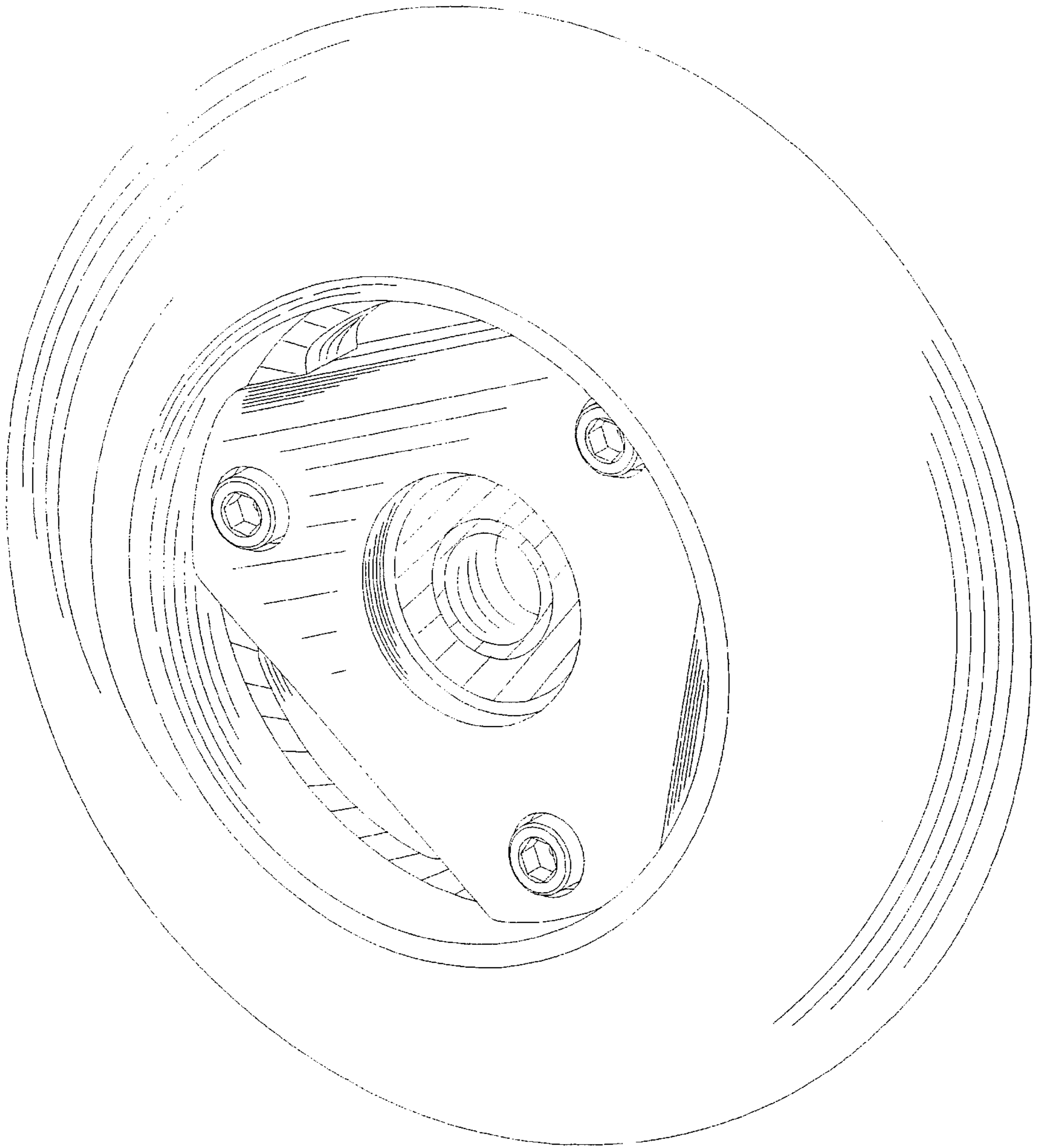


Fig 1

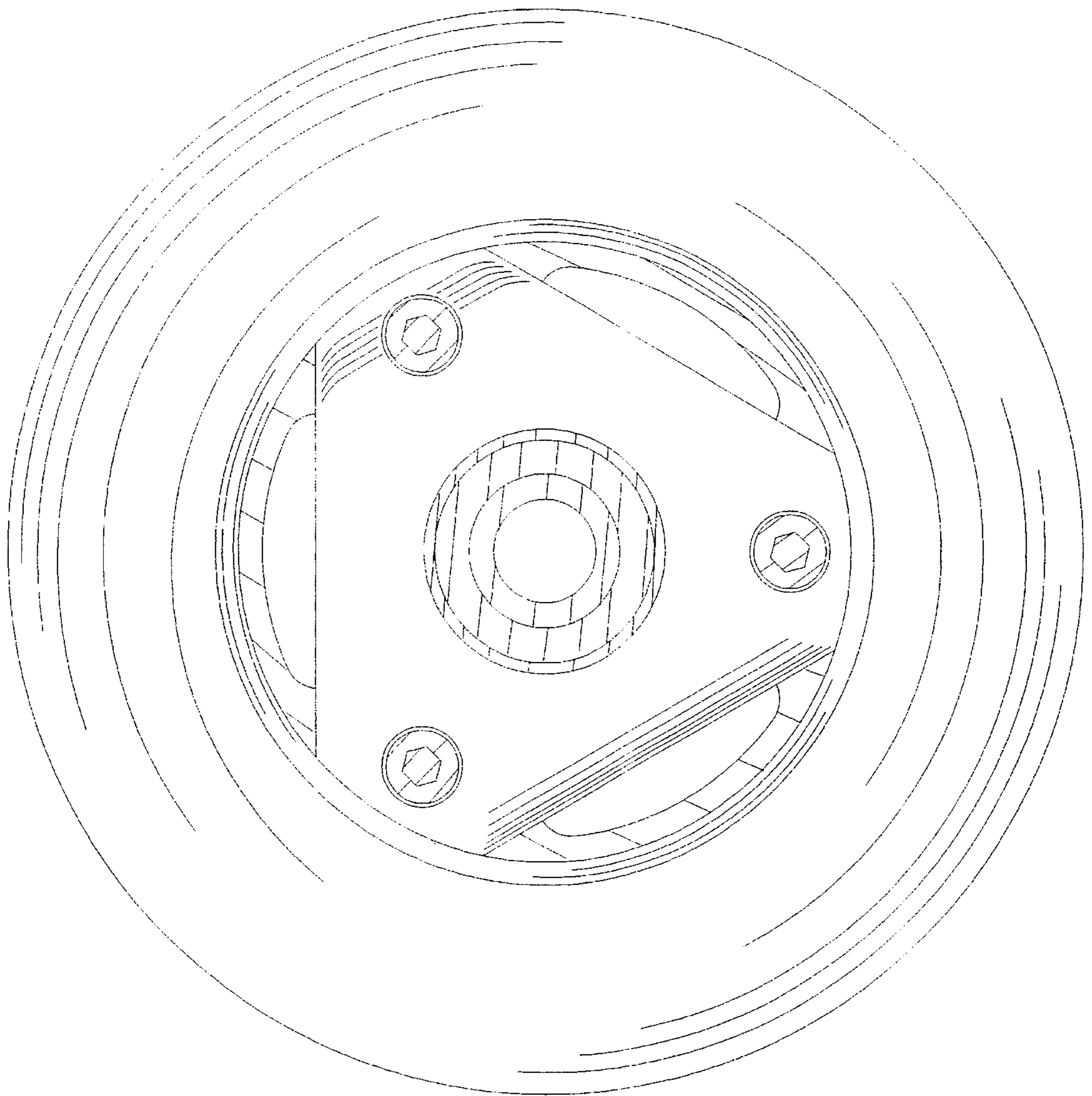


Fig 2

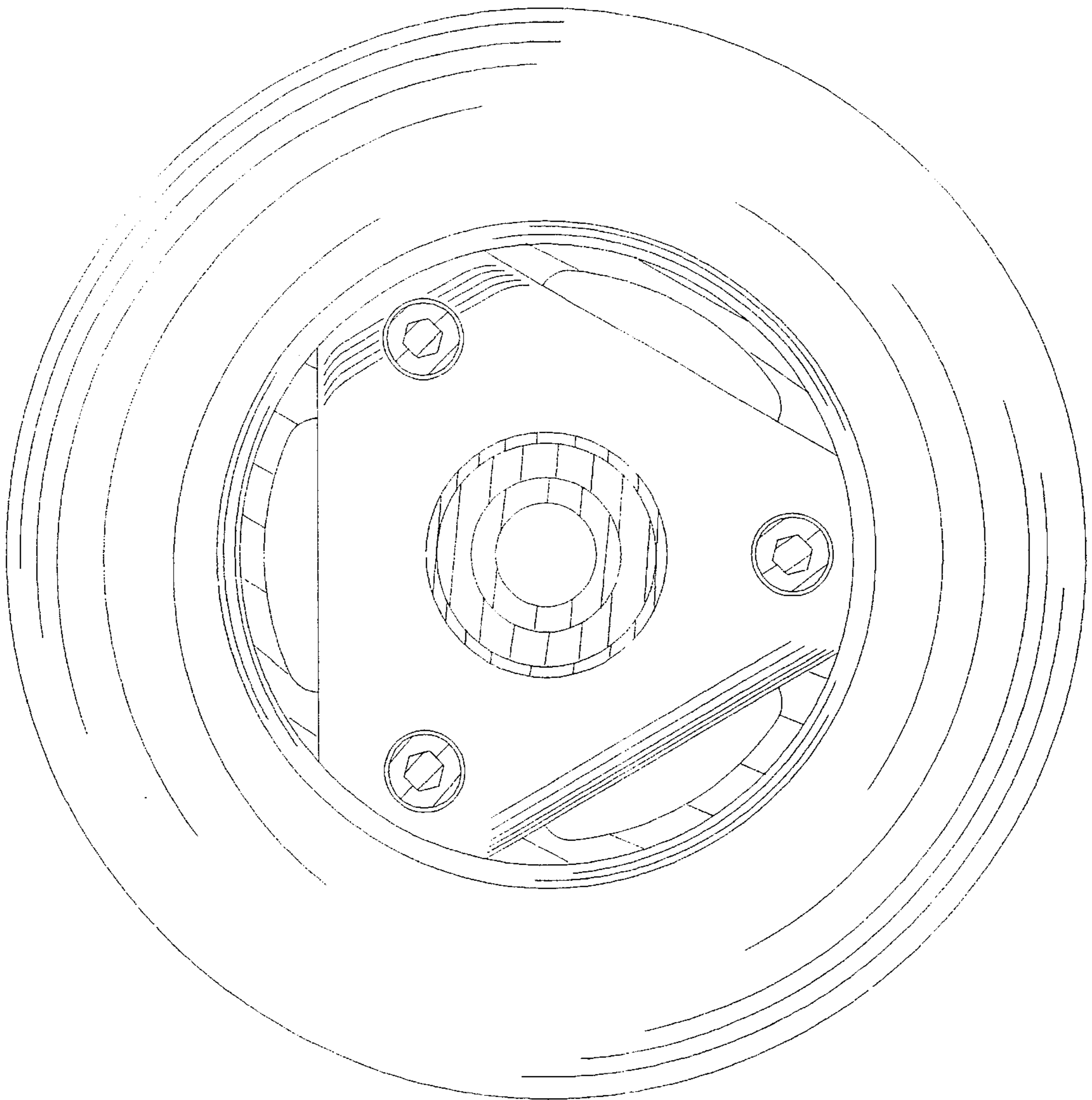


Fig 3



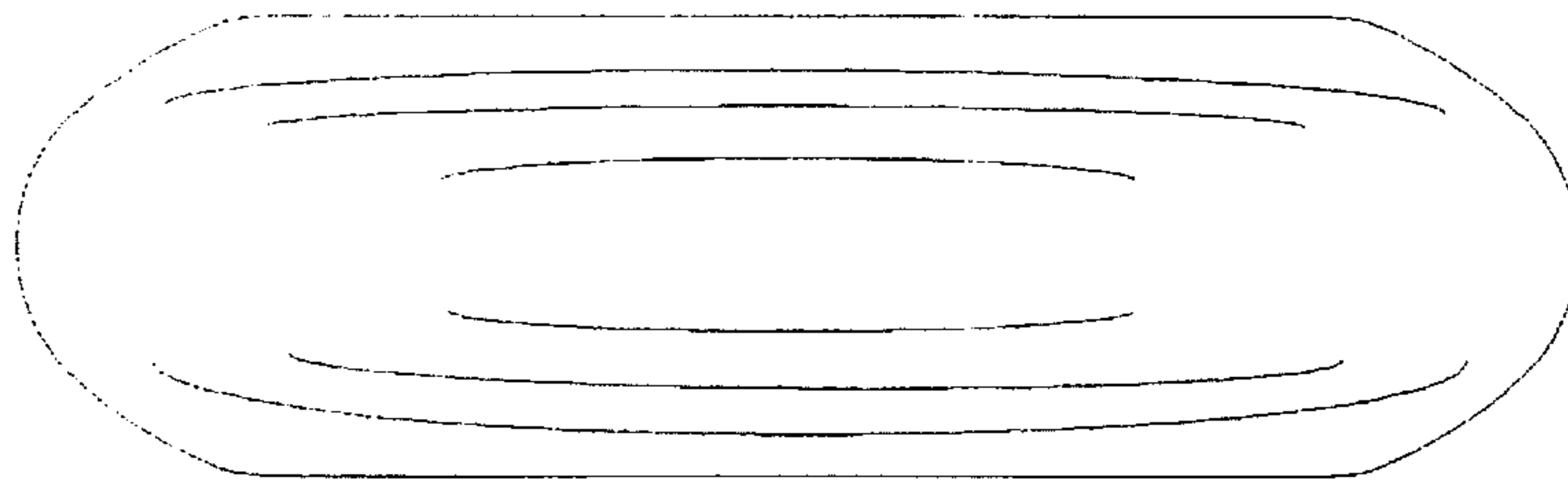


Fig 4

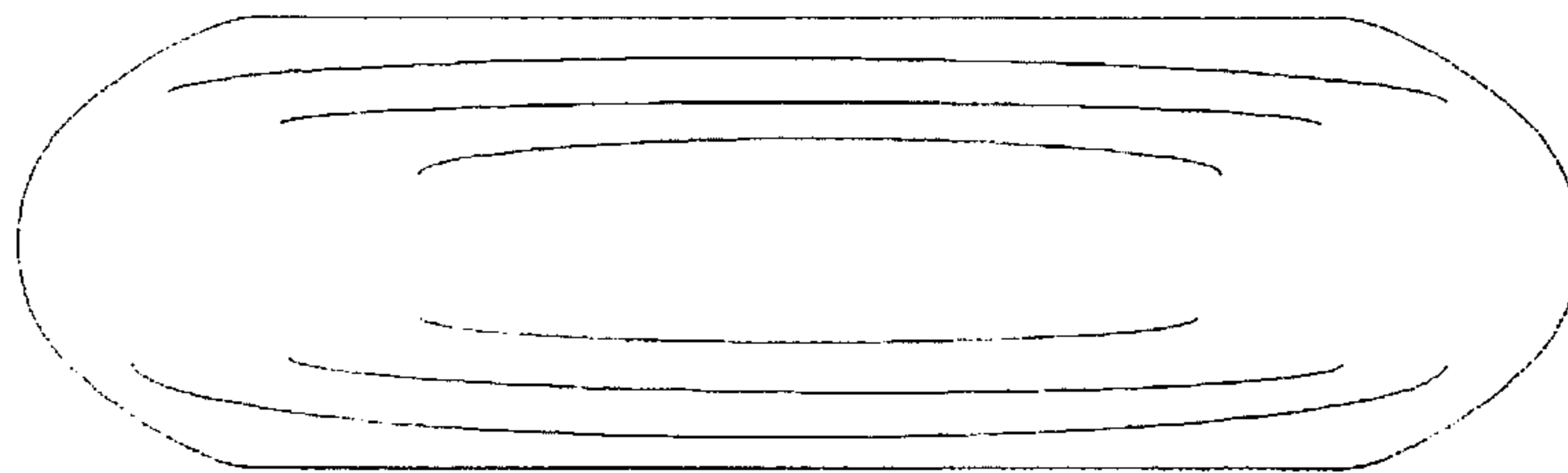


Fig 5

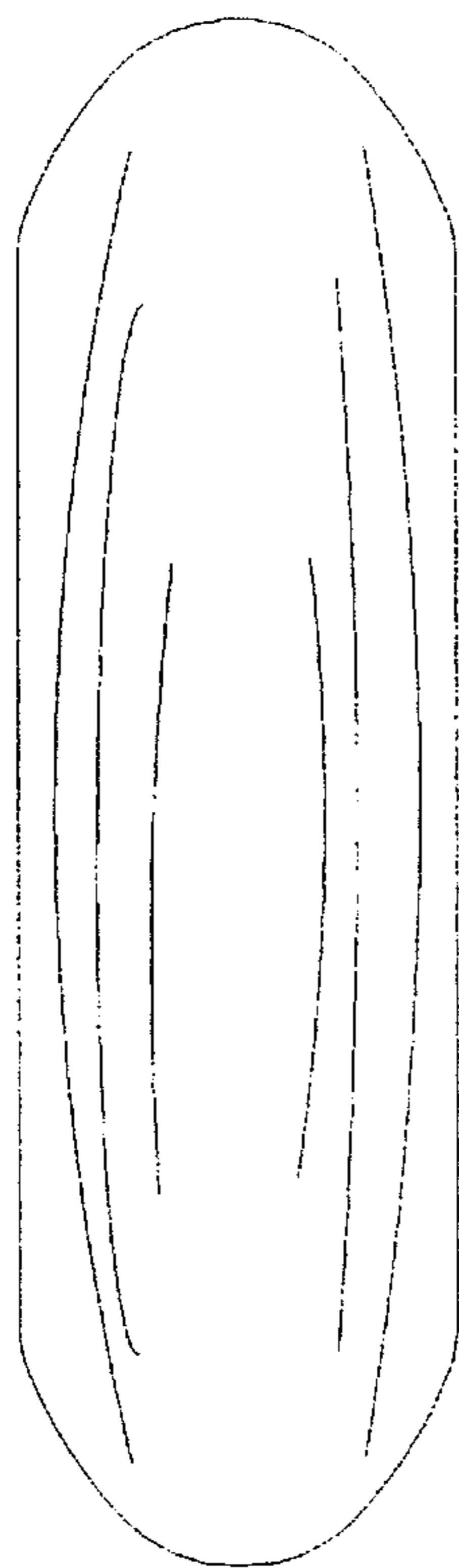


Fig 6

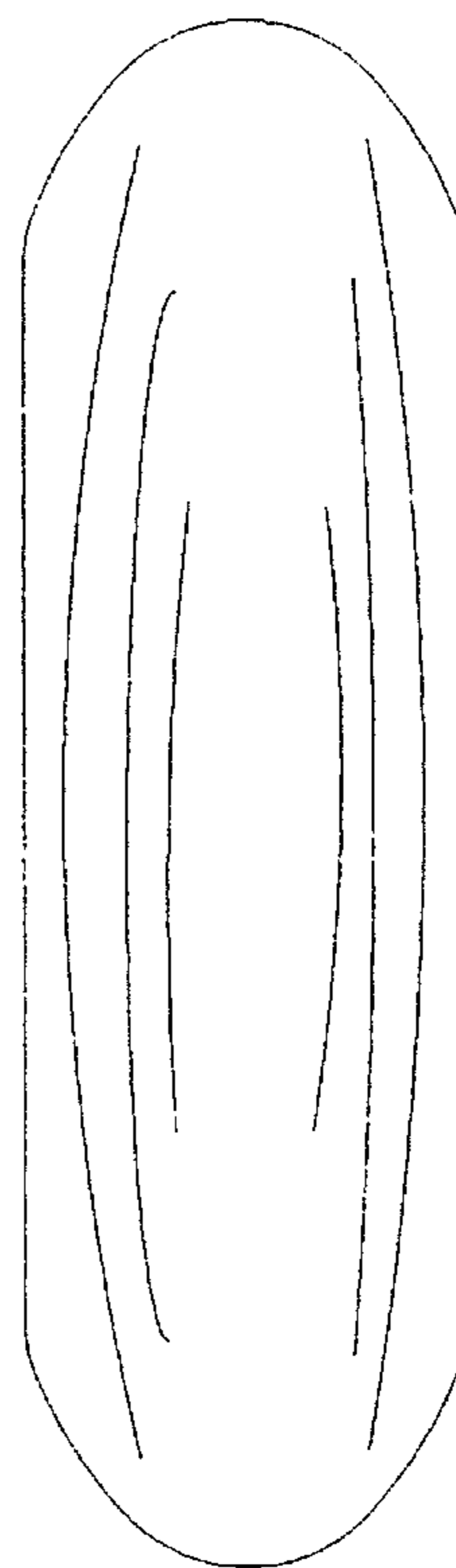


Fig 7