



US00D371403S

United States Patent [19]

Vorre

[11] Patent Number: **Des. 371,403**

[45] Date of Patent: ****Jul. 2, 1996**

[54] TOY BUILDING ELEMENT

3,015,828 1/1962 Beebe 446/479

[75] Inventor: **Birthe G. Vorre**, Vejle, Denmark

Primary Examiner—Terry A. Wallace

Assistant Examiner—R. Barkai

[73] Assignee: **INTERLEGO AG**, Baar, Switzerland

Attorney, Agent, or Firm—Kane, Dalsimer, Sullivan, Kurucz, Levy, Eisele and Richard

[**] Term: **14 Years**

[57] CLAIM

[21] Appl. No.: **43,983**

The ornamental design for a toy building element, as shown and described.

[22] Filed: **Sep. 14, 1995**

[52] U.S. Cl. **D21/108**

DESCRIPTION

[58] Field of Search D21/109, 108,
D21/120-123; 446/110, 115, 116, 75, 76,
120, 124, 125, 128, 479, 487

FIG. 1 is a top perspective view of the toy building element showing my new design;

FIG. 2 is a bottom perspective view thereof;

FIG. 3 is a right side elevational view thereof, the left side being identical;

FIG. 4 is a front elevational view thereof, the rear side being identical;

FIG. 5 is a bottom plan view thereof; and,

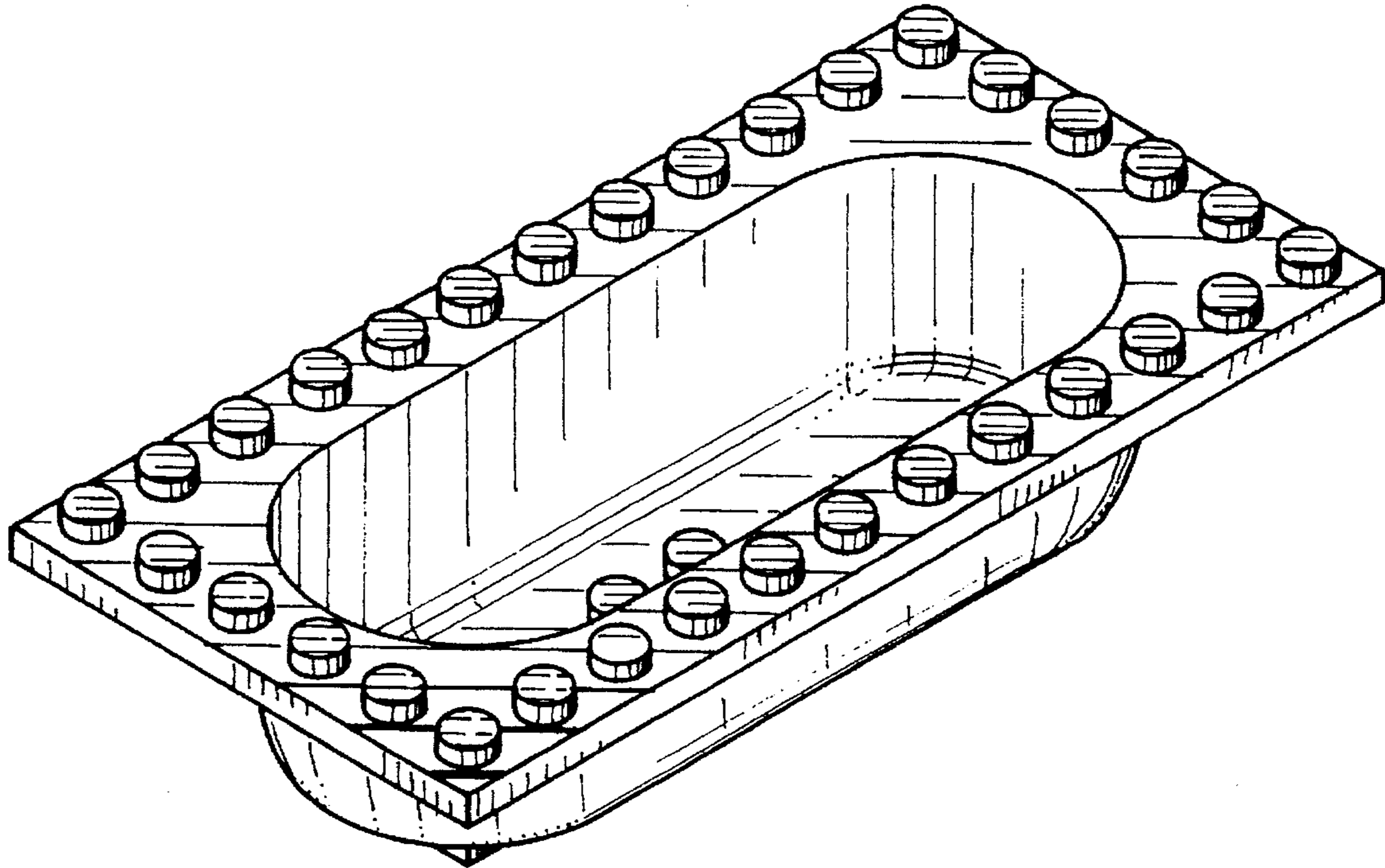
FIG. 6 is a top plan view thereof.

[56] References Cited

U.S. PATENT DOCUMENTS

D. 243,020	1/1977	Inderwick	D21/108
D. 324,551	3/1992	Skov	D21/108
D. 354,528	1/1995	Ryaa et al.	D21/108
D. 359,528	6/1995	Knudsen	D21/108
2,533,535	12/1950	Tellefsen	446/479

1 Claim, 2 Drawing Sheets



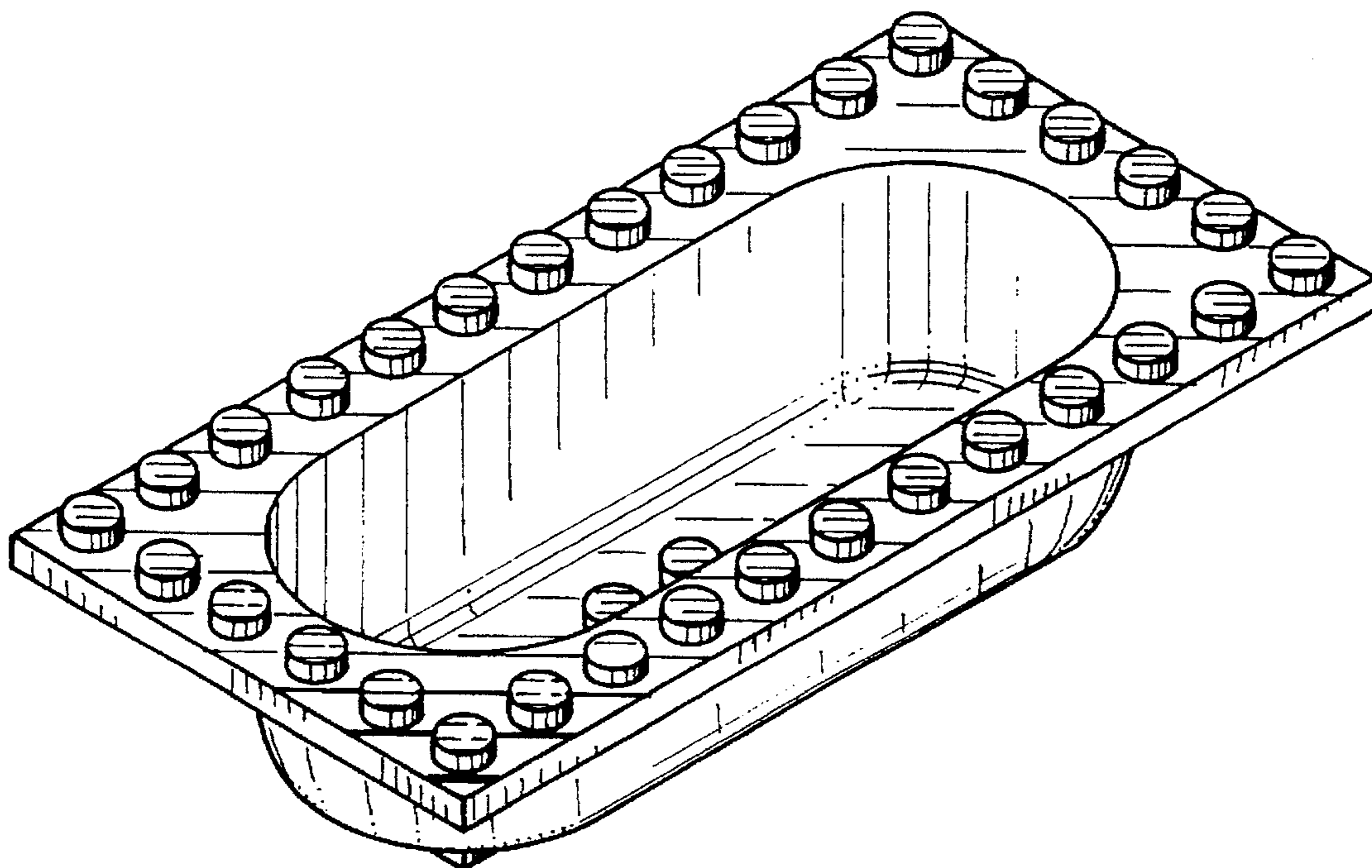


FIG. 1

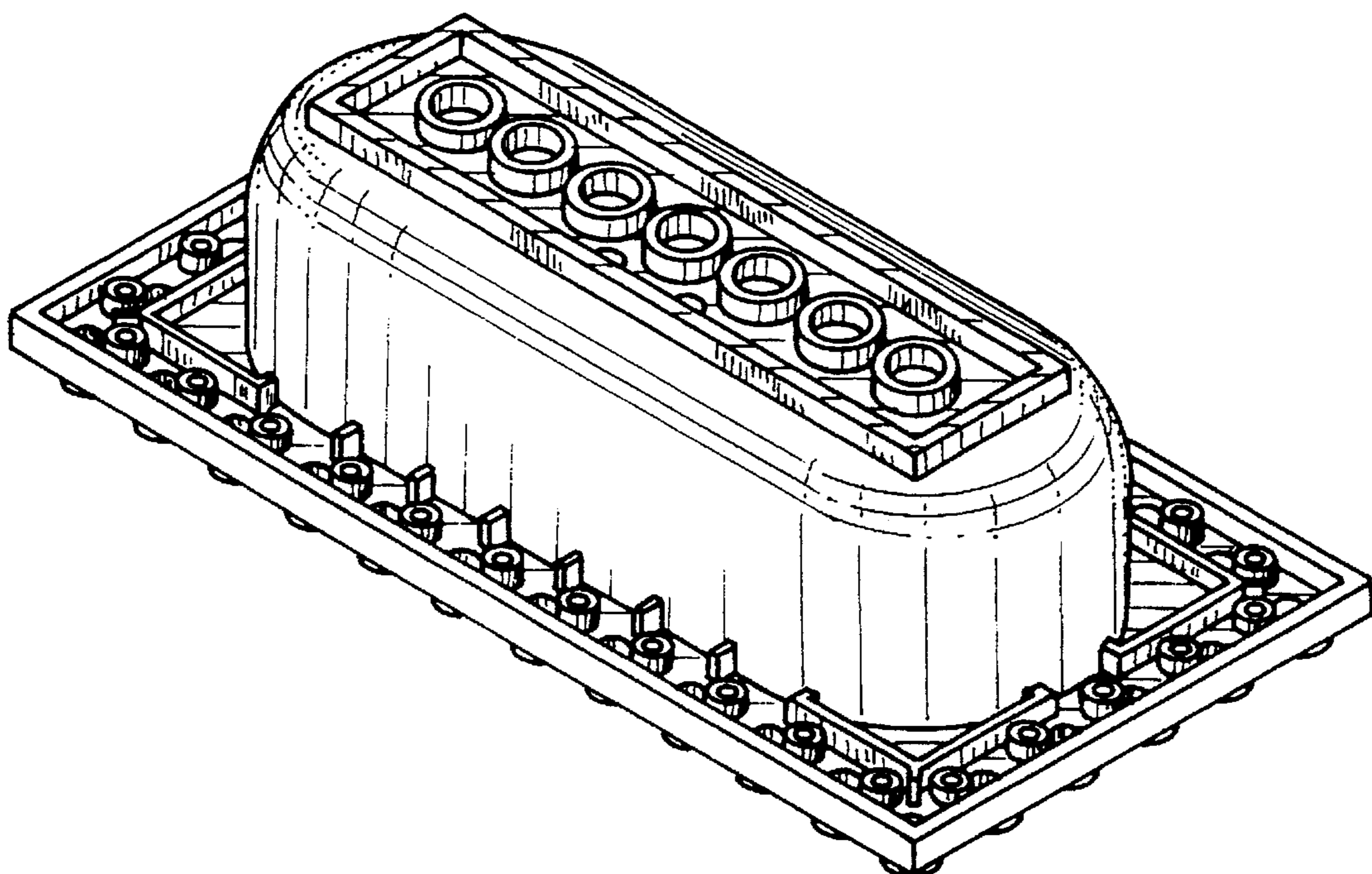


FIG. 2

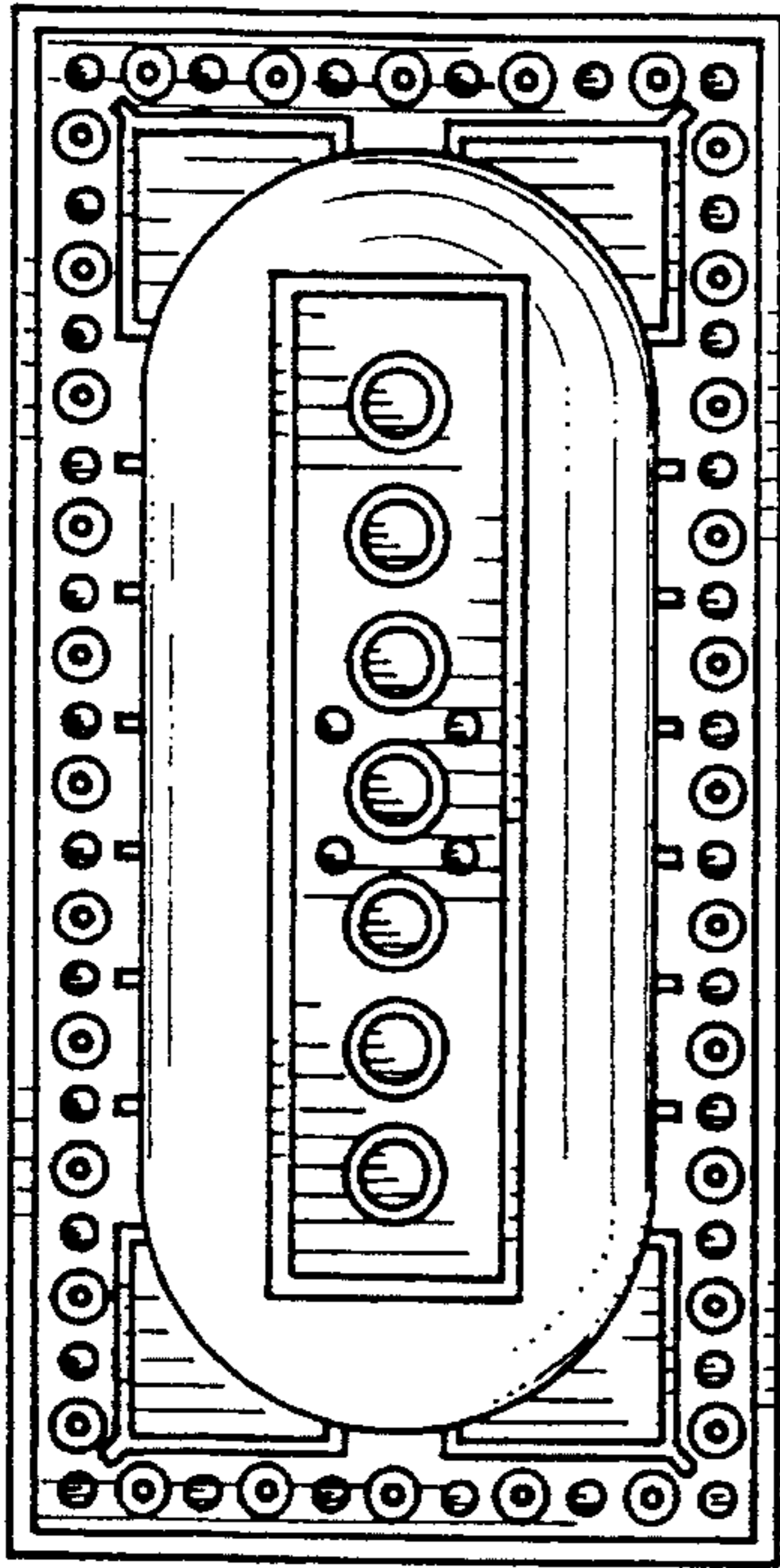


FIG. 5

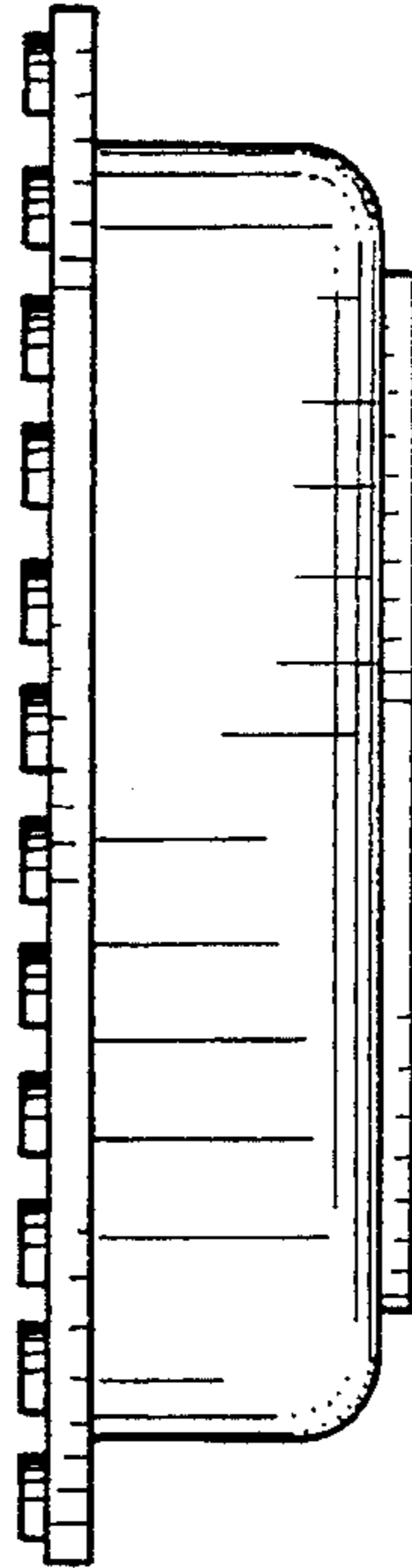


FIG. 3

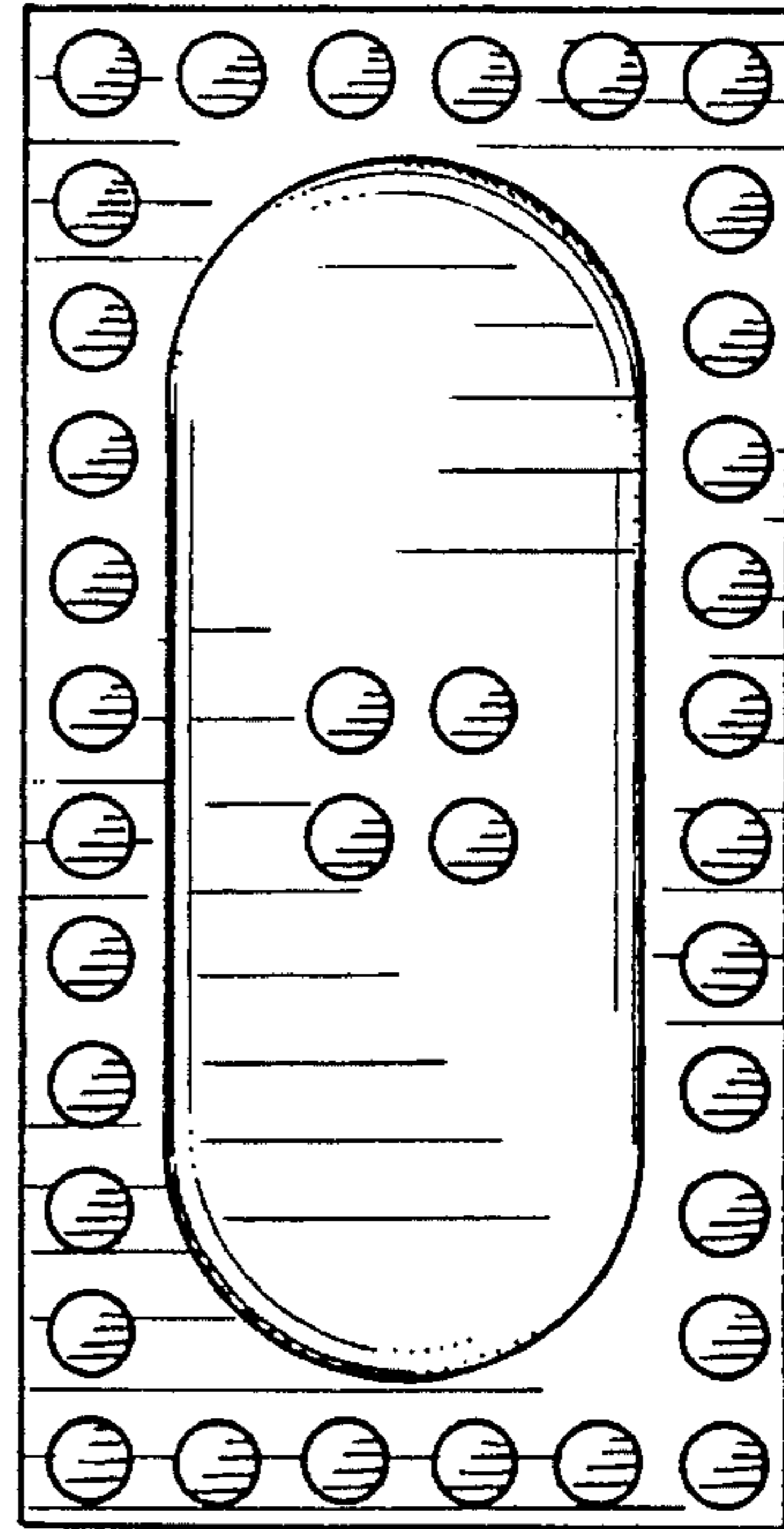


FIG. 6

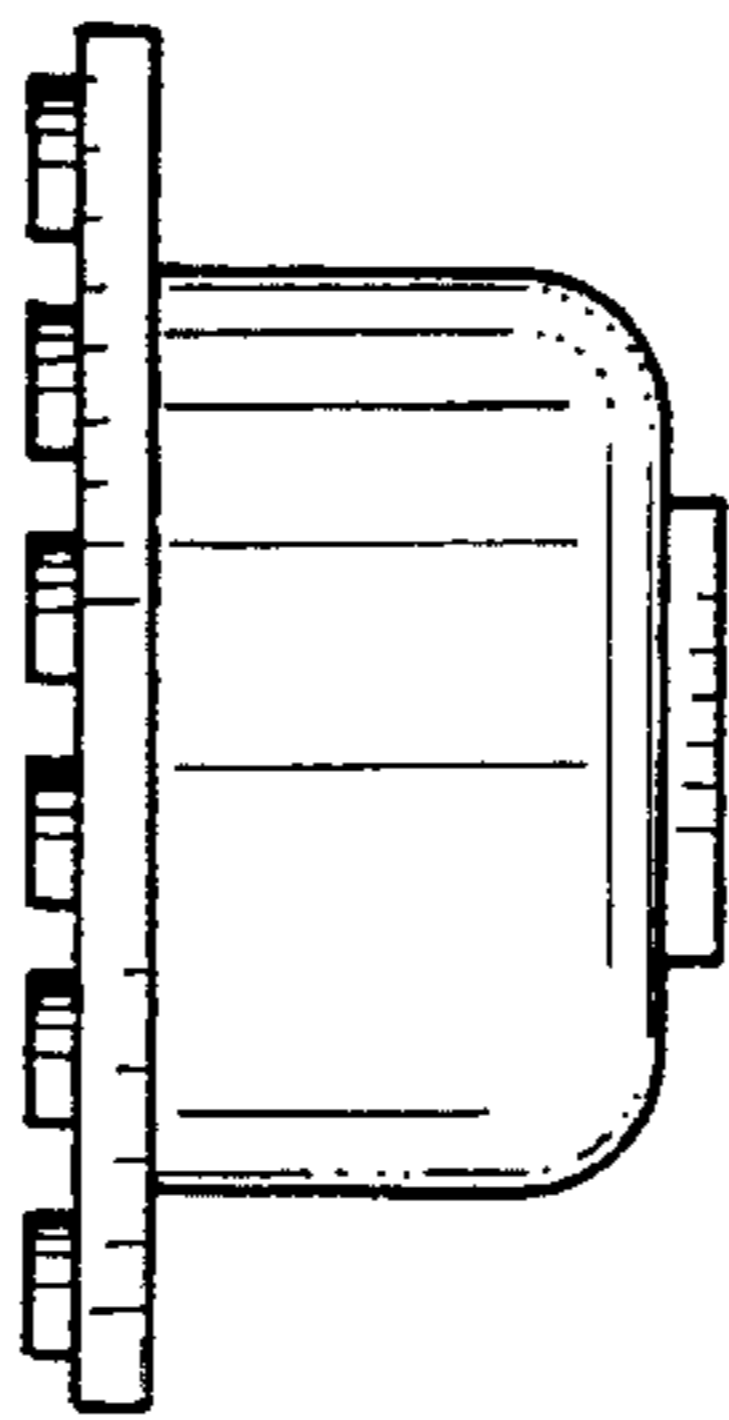


FIG. 4