



US00D371402S

United States Patent [19]

[11] Patent Number: **Des. 371,402**

Knudsen

[45] Date of Patent: ****Jul. 2, 1996**

[54] **TOY BUILDING ELEMENT**

[75] Inventor: **Jens N. Knudsen**, Billund, Denmark

[73] Assignee: **INTERLEGO AG**, Baar, Switzerland

[**] Term: **14 Years**

[21] Appl. No.: **43,968**

[22] Filed: **Sep. 14, 1995**

[52] U.S. Cl. **D21/108**

[58] Field of Search D21/108; 446/75, 446/76, 110, 115, 116, 120, 124, 125, 128

[56] **References Cited**

U.S. PATENT DOCUMENTS

D. 284,207	6/1986	Kassai	D21/108
D. 304,215	10/1989	Knudsen	D21/108
D. 350,785	9/1994	Kushner et al.	D21/108
2,132,647	10/1938	Robins	D21/108
2,861,388	11/1958	Favaretto	D21/108

Primary Examiner—Terry A. Wallace

Assistant Examiner—R. Barkai

Attorney, Agent, or Firm—Kane, Dalsimer, Sullivan, Kurucz, Levy, Eisele and Richard

[57] **CLAIM**

The ornamental design for a toy building element, as shown and described.

DESCRIPTION

FIG. 1 is a top perspective view of the toy building element showing my new design;

FIG. 2 is a bottom perspective view thereof;

FIG. 3 is a right side elevational view thereof;

FIG. 4 is a front elevational view thereof;

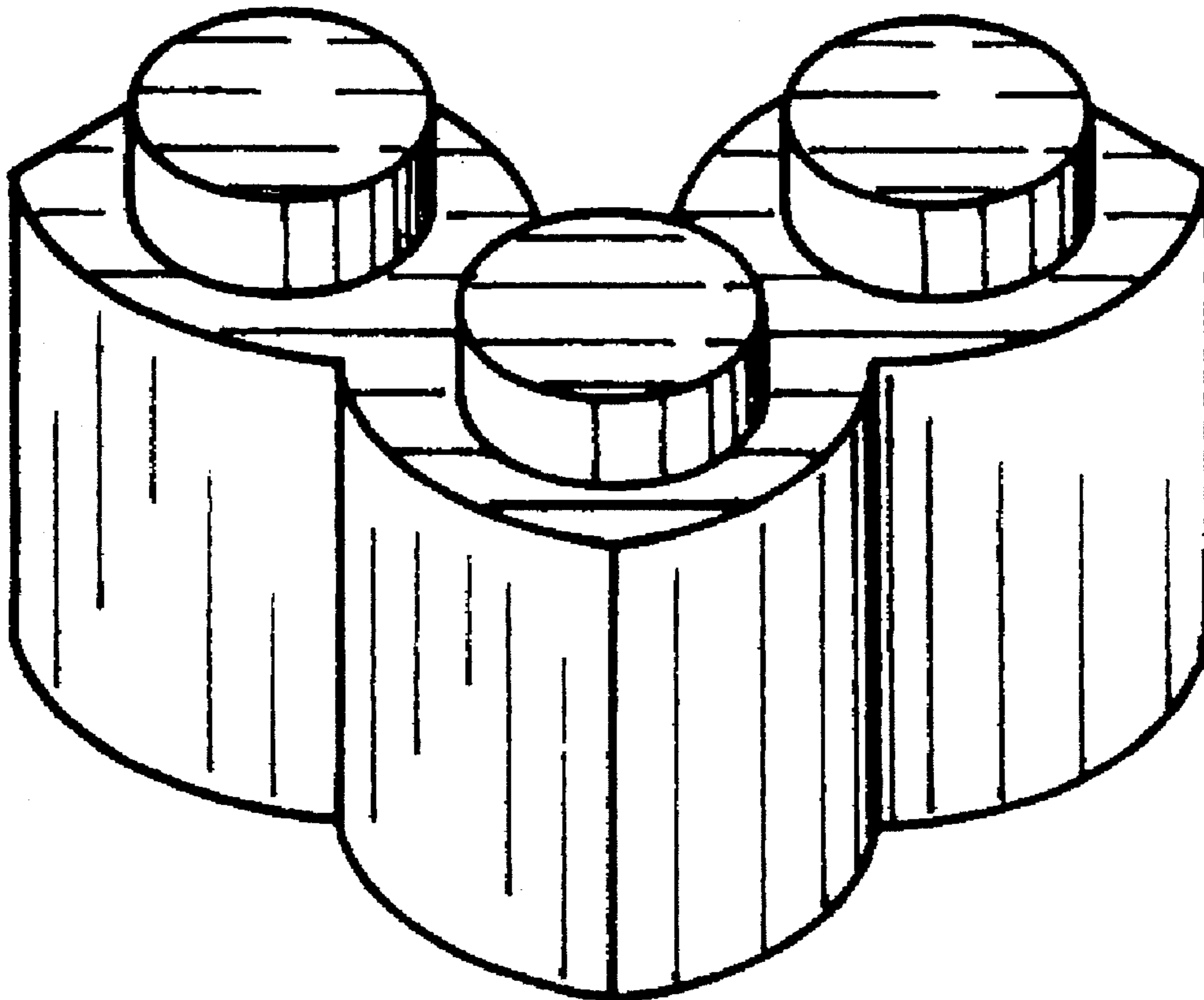
FIG. 5 is a left side elevational view thereof;

FIG. 6 is a rear elevational view thereof;

FIG. 7 is a bottom plan view thereof; and,

FIG. 8 is a top plan view thereof.

1 Claim, 2 Drawing Sheets



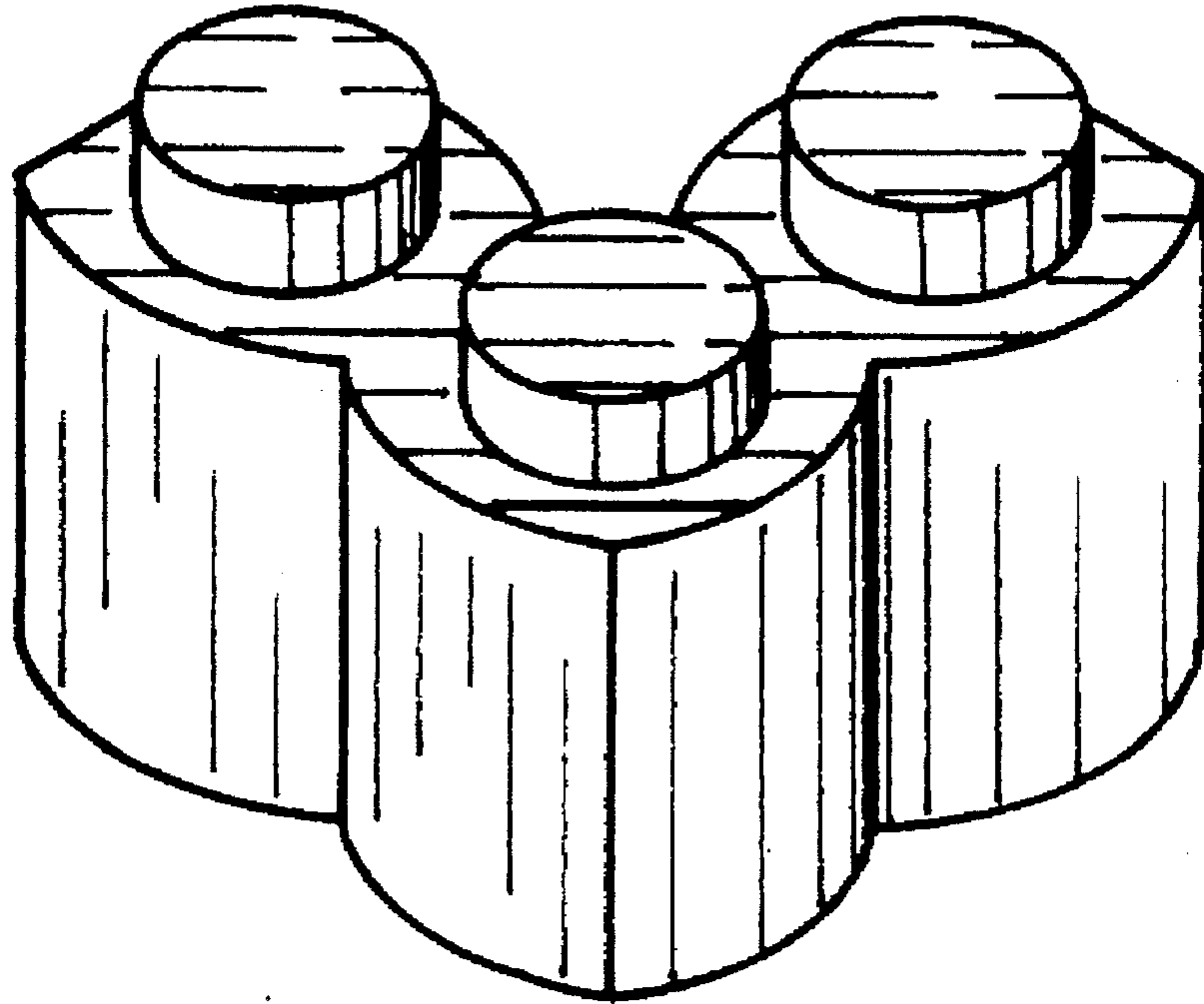


FIG. 1

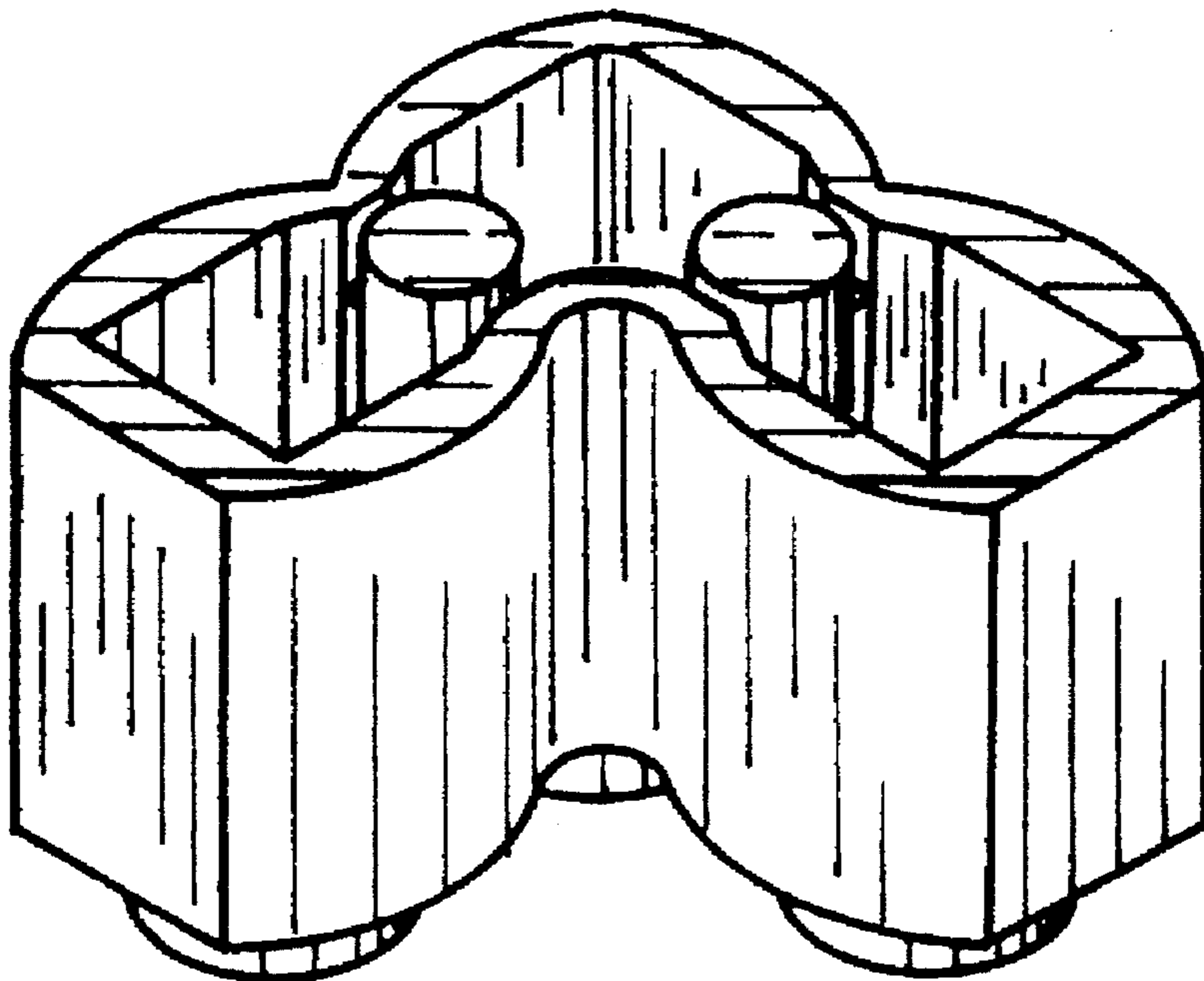


FIG. 2

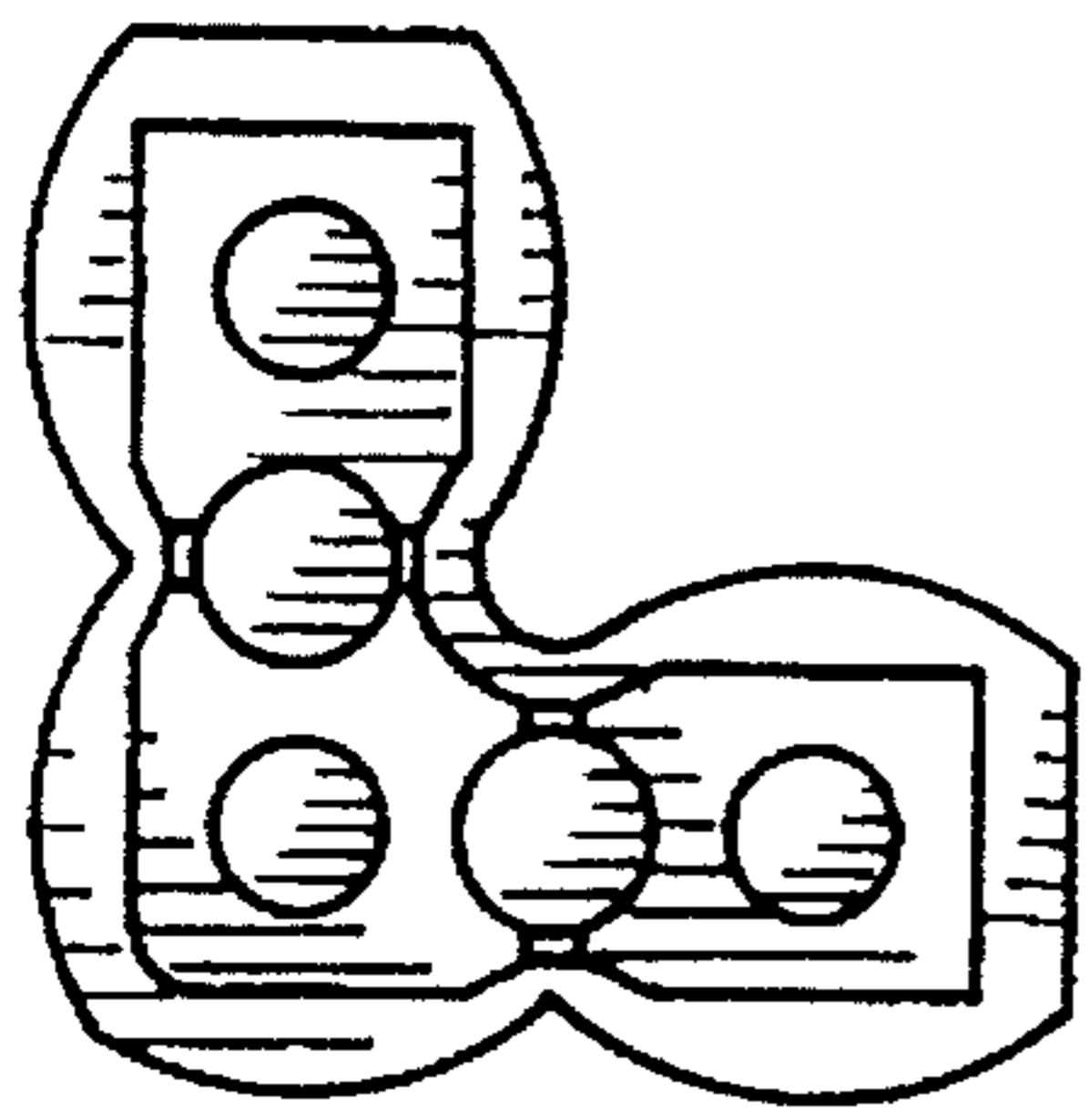


FIG. 7

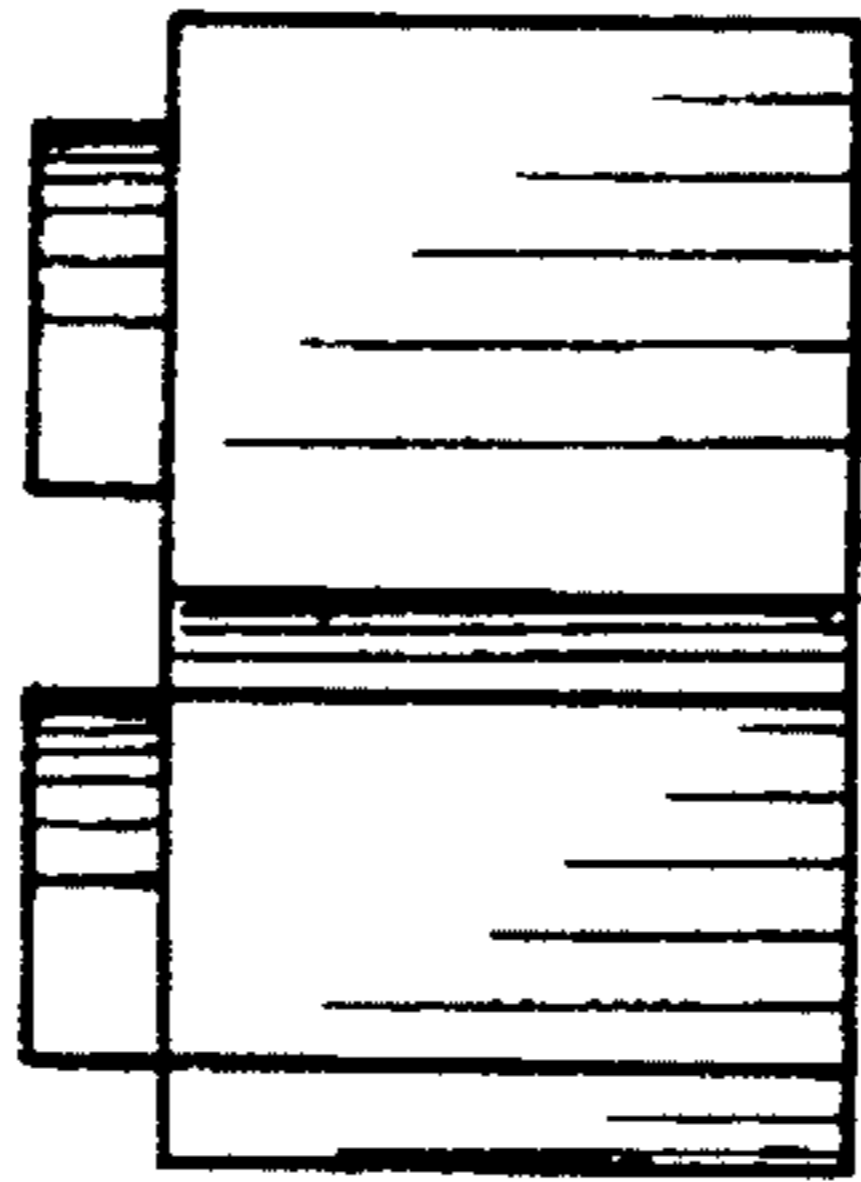


FIG. 6

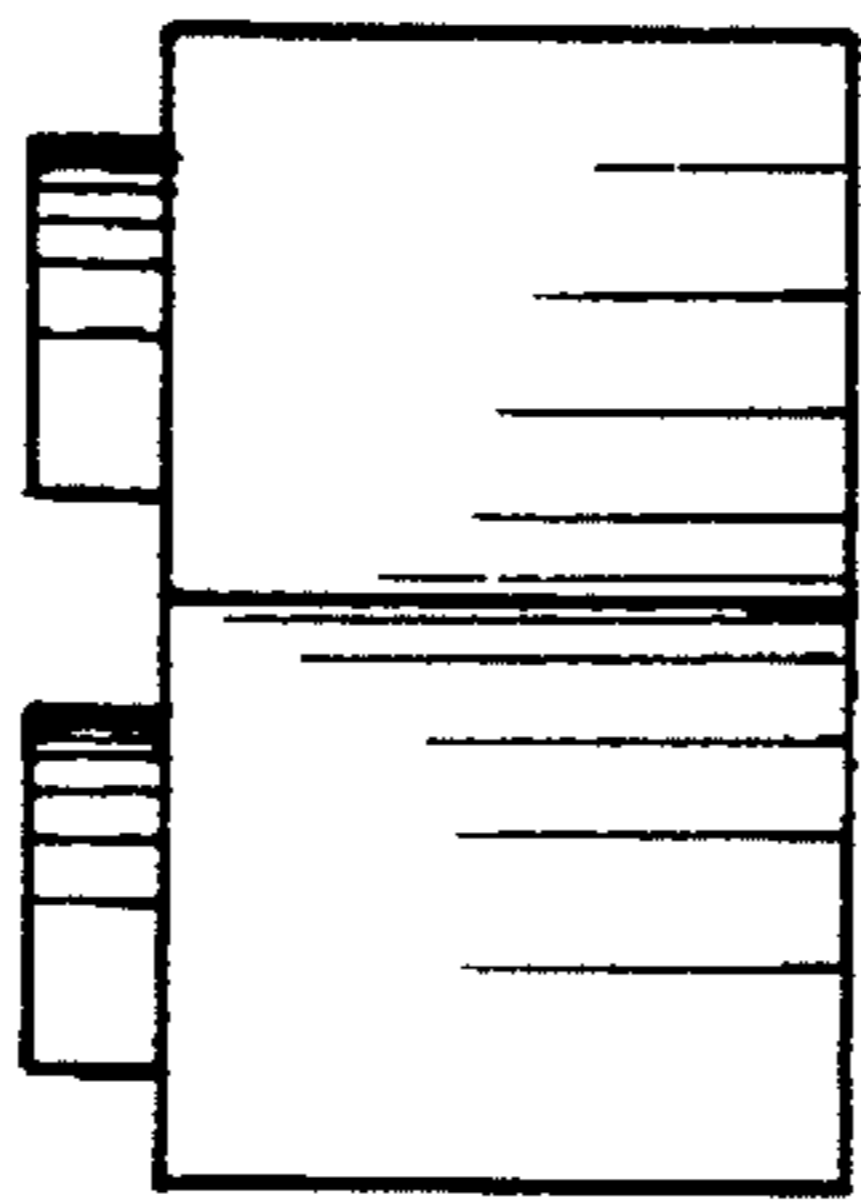


FIG. 5

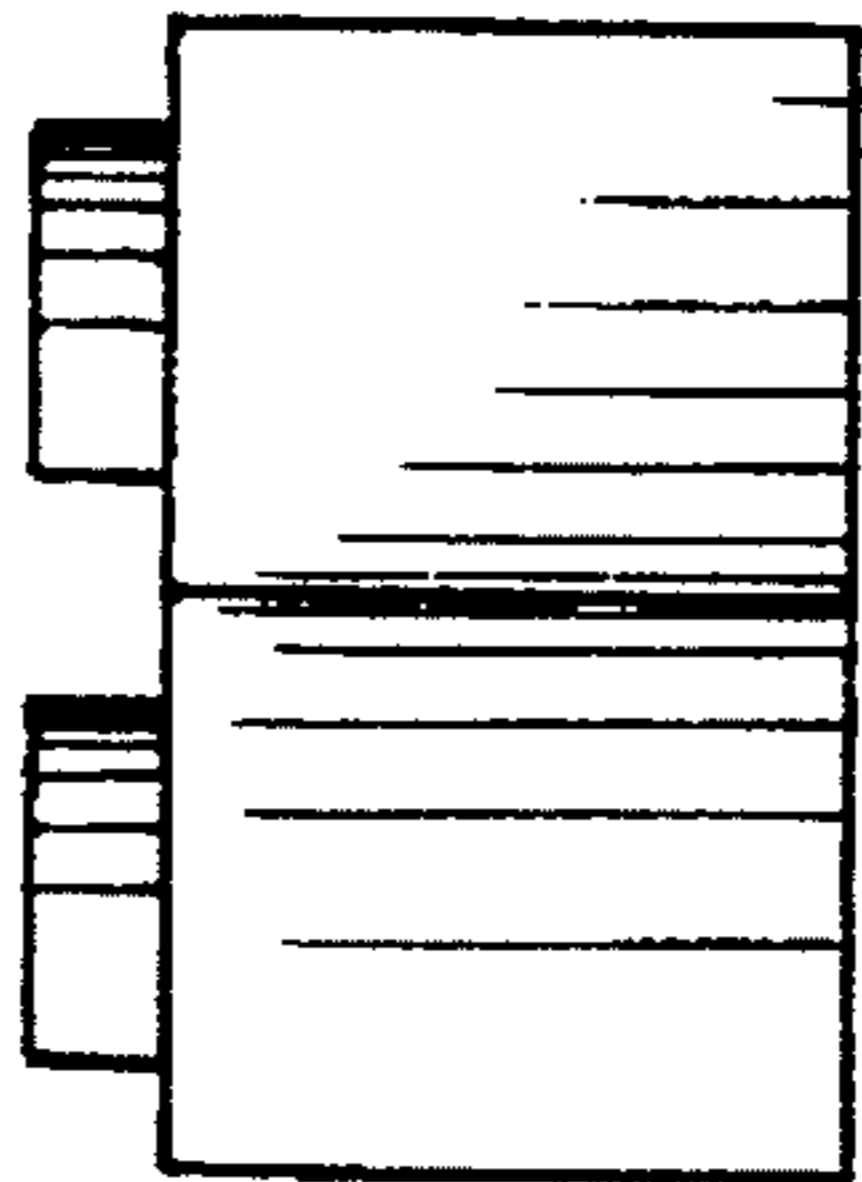


FIG. 4

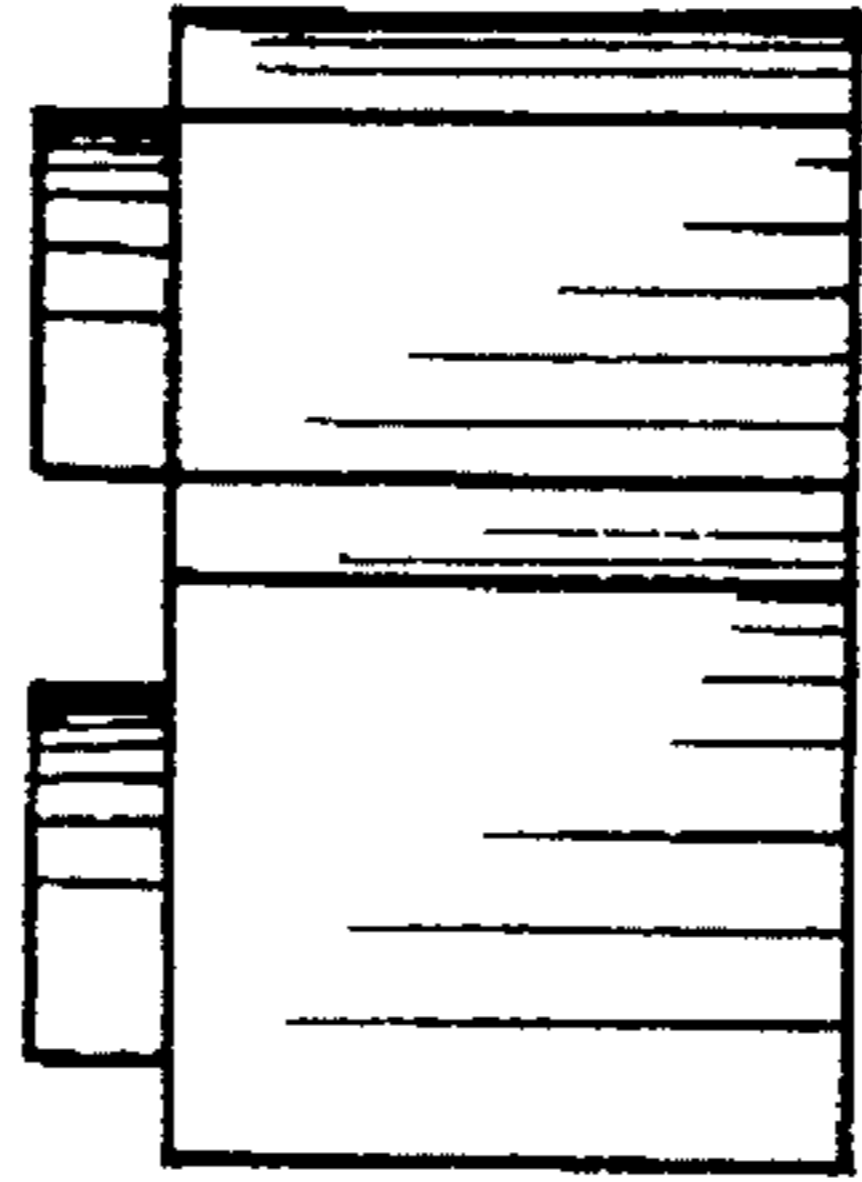


FIG. 3

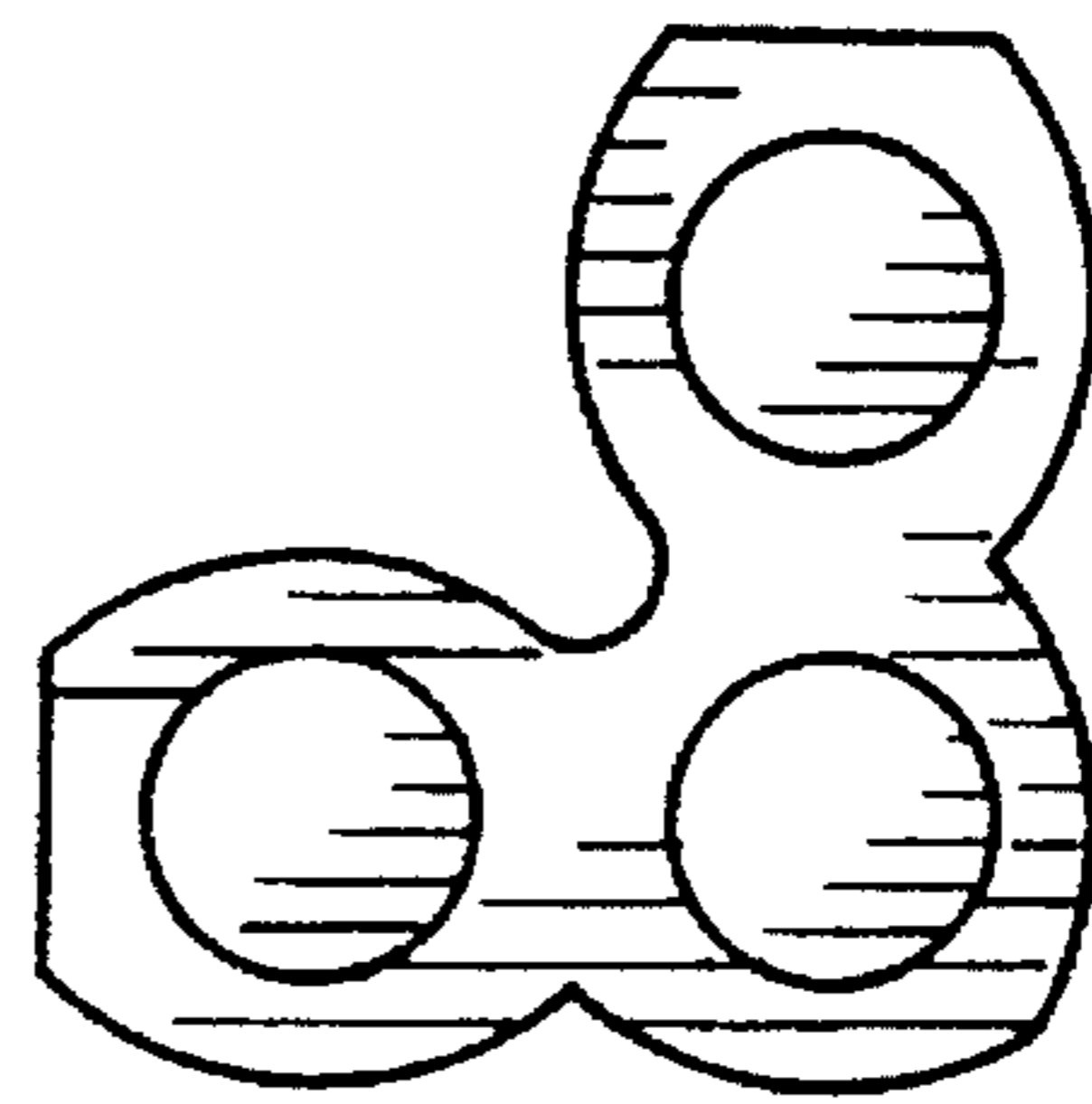


FIG. 8