



US00D371400S

# United States Patent [19]

Høst

[11] Patent Number: **Des. 371,400**

[45] Date of Patent: **\*\*Jul. 2, 1996**

[54] TOY PLOUGH

D. 352,746 11/1994 Hatting ..... D21/108

[75] Inventor: **Henrik Høst**, Roskilde, Denmark

*Primary Examiner*—Terry A. Wallace

*Assistant Examiner*—R. Barkai

[73] Assignee: **INTERLEGO AG**, Baar, Switzerland

*Attorney, Agent, or Firm*—Kane, Dalsimer, Sullivan, Kurucz, Levy, Eisele and Richard

[\*\*] Term: **14 Years**

### [57] CLAIM

[21] Appl. No.: **43,914**

The ornamental design for a toy plough, as shown and described.

[22] Filed: **Sep. 14, 1995**

[52] U.S. Cl. .... **D21/108**; 446/93; D21/141

### DESCRIPTION

[58] **Field of Search** ..... D21/108, 109, D21/124, 125, 132, 141; D3/304; D15/27; 446/103, 110, 115, 120, 124, 125, 126, 128, 479, 487

FIG. 1 is a top perspective view of the toy plough showing my new design;

FIG. 2 is a bottom perspective view thereof;

FIG. 3 is a right side elevational view thereof;

FIG. 4 is a front elevational view thereof;

FIG. 5 is a left side elevational view thereof;

FIG. 6 is a rear elevational view thereof;

FIG. 7 is a bottom plan view thereof; and,

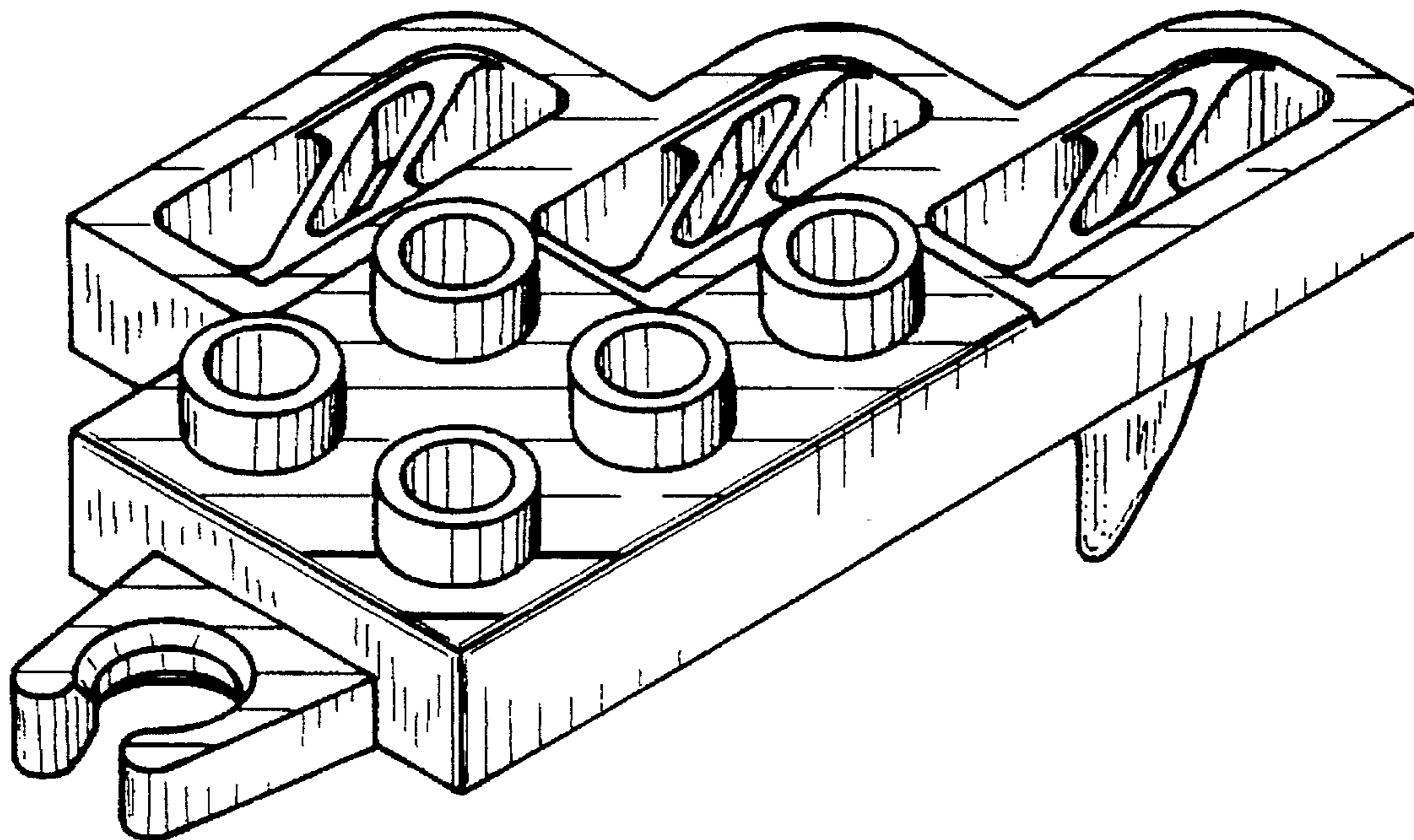
FIG. 8 is a top plan view thereof.

### [56] References Cited

#### U.S. PATENT DOCUMENTS

D. 290,477	6/1987	Ryaa et al. ....	D21/108
D. 310,399	9/1990	Dideriksen ....	D21/141
D. 329,473	9/1992	Pagel ....	D21/108
D. 344,301	2/1994	Berggreen ....	D21/108

**1 Claim, 3 Drawing Sheets**



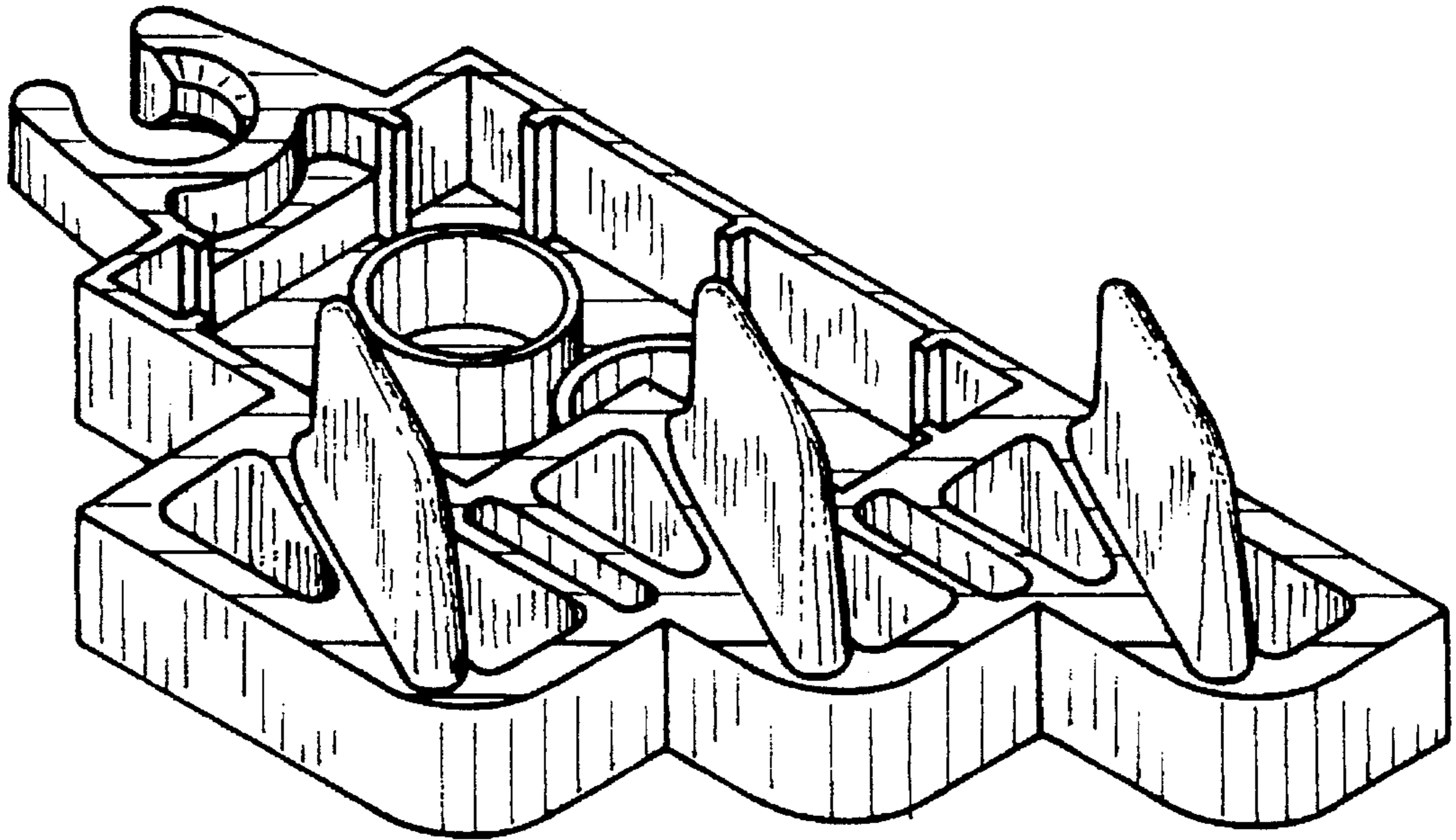


FIG. 2

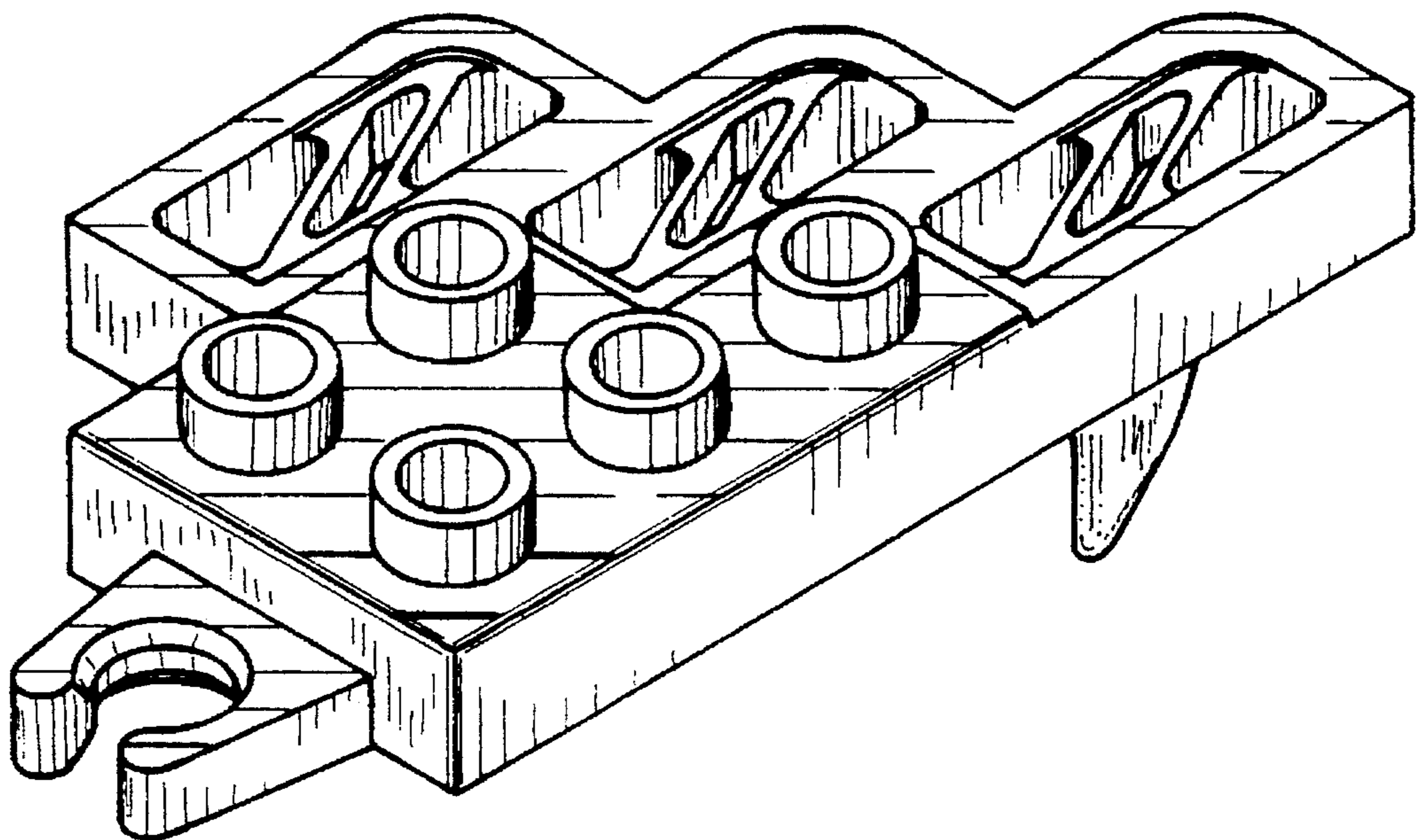


FIG. 1

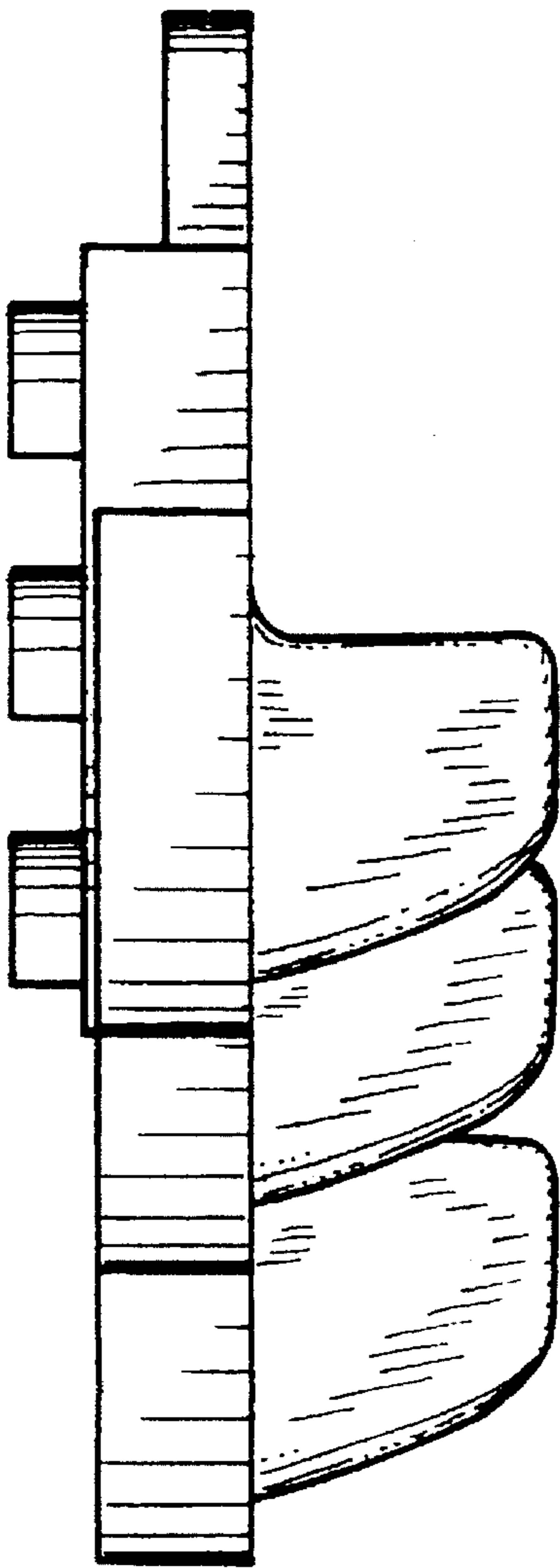


FIG. 3

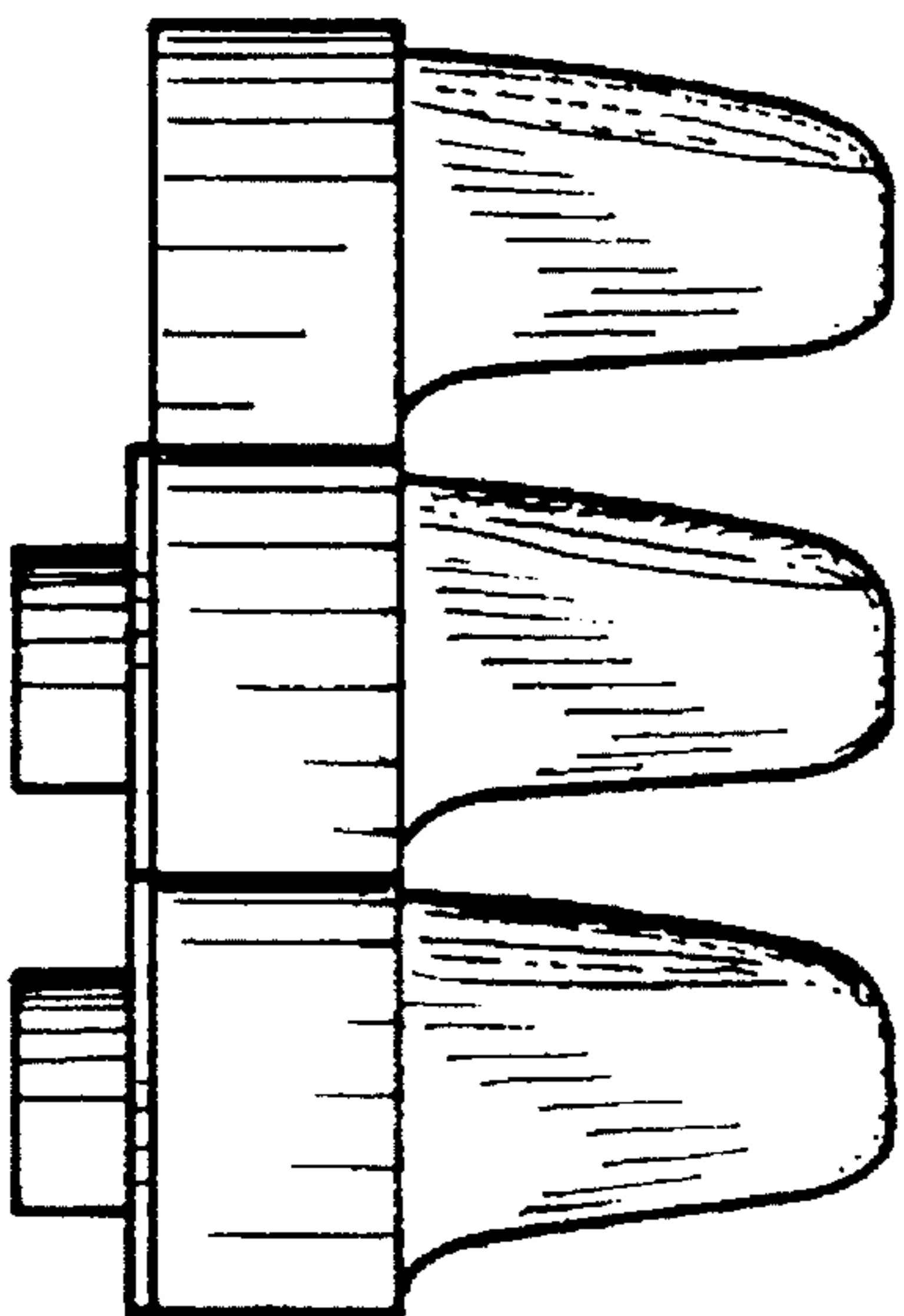


FIG. 6

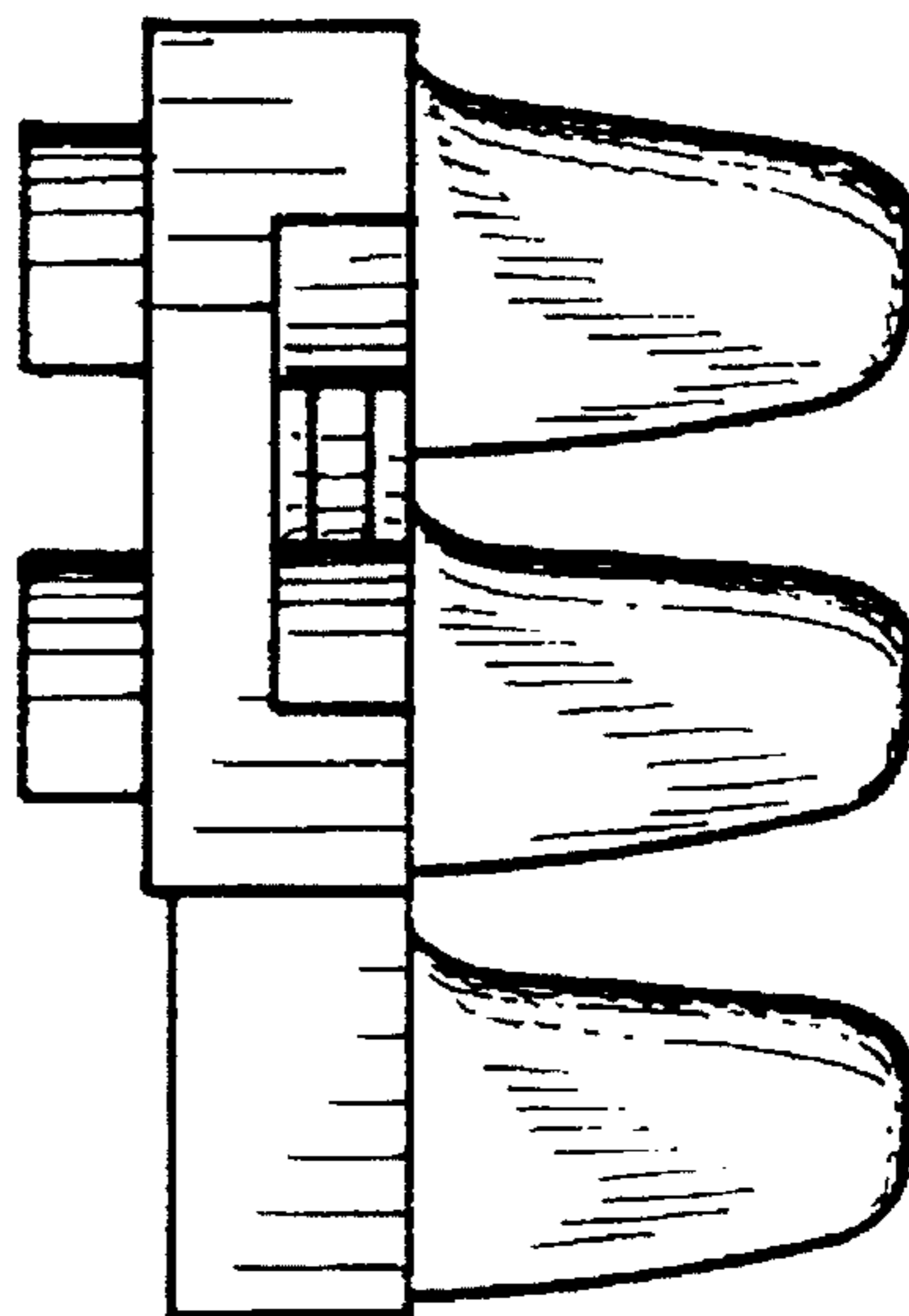


FIG. 4

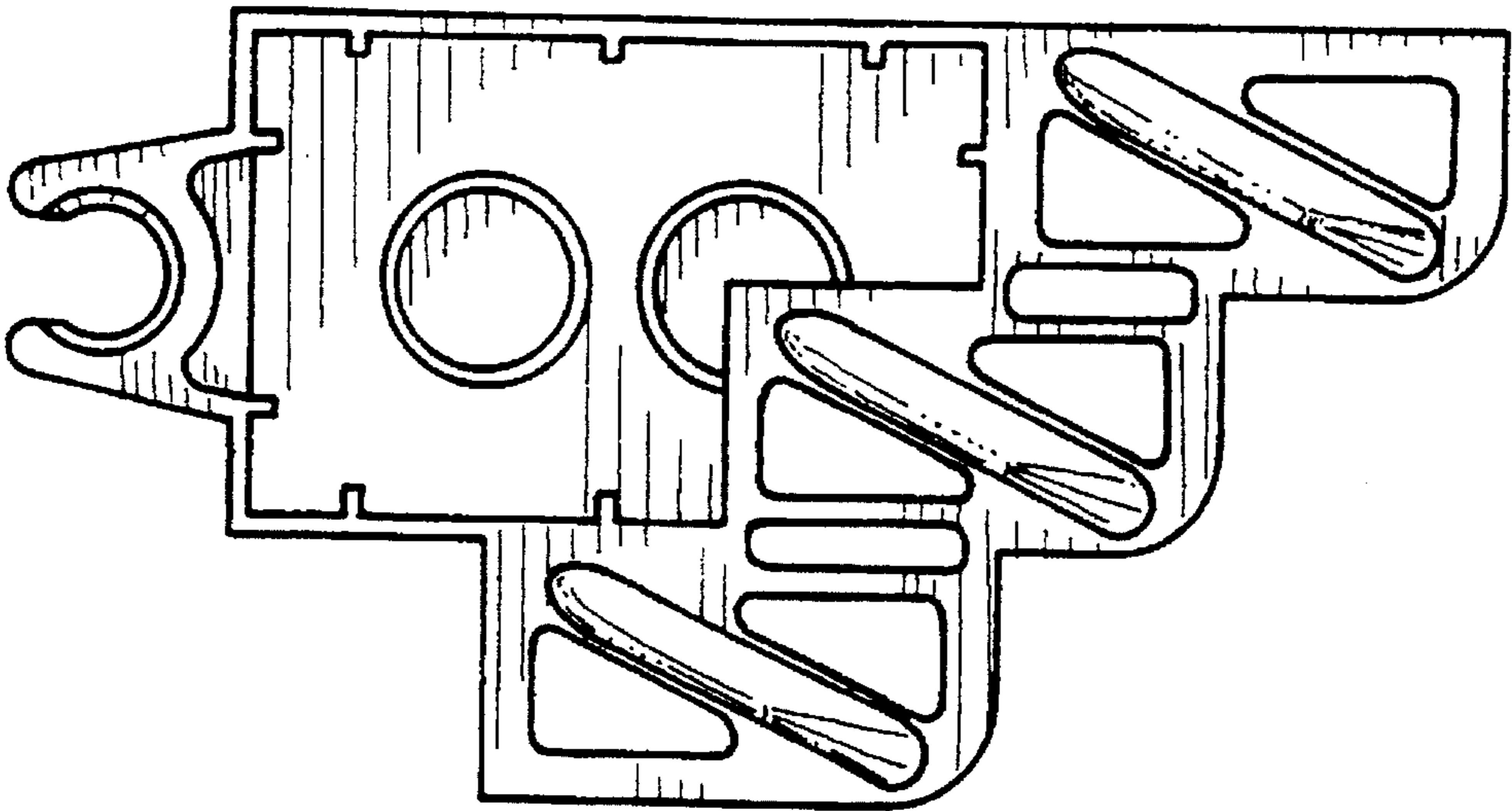


FIG. 7

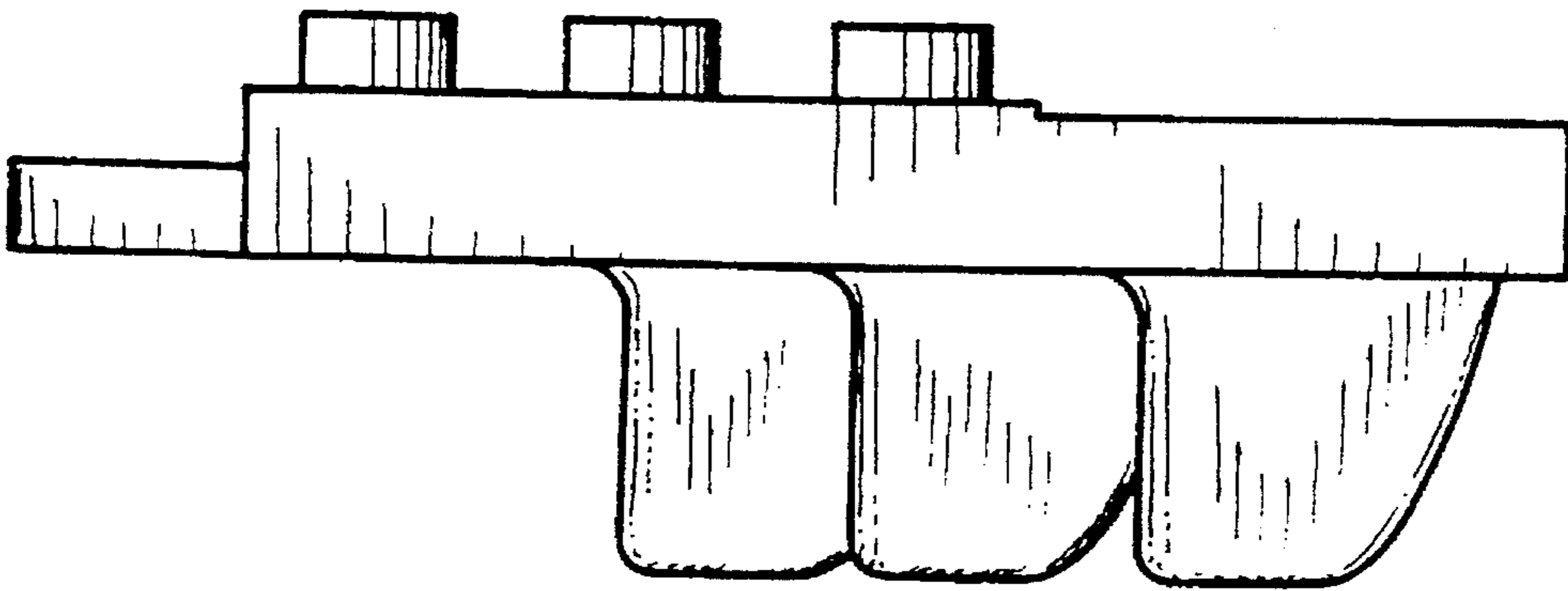


FIG. 5

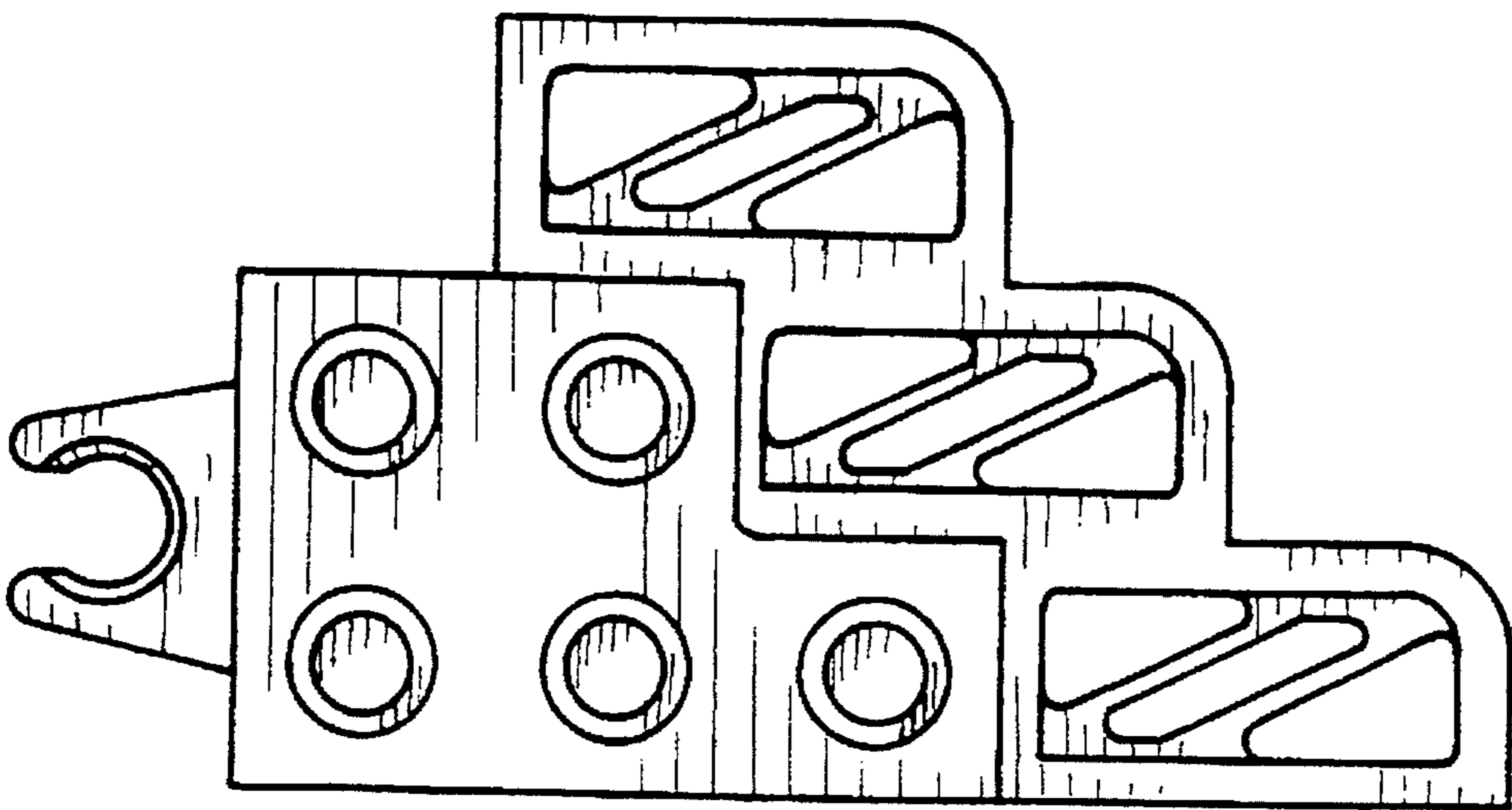


FIG. 8