



US00D371399S

**United States Patent** [19]  
**Pardorf**

[11] **Patent Number:** **Des. 371,399**  
[45] **Date of Patent:** **\*\*Jul. 2, 1996**

[54] **TOY CONTAINER**

[75] Inventor: **Jeannette Pardorf**, Copenhagen, Denmark

[73] Assignee: **INTERLEGO AG**, Baar, Switzerland

[\*\*] Term: **14 Years**

[21] Appl. No.: **43,913**

[22] Filed: **Sep. 14, 1995**

[52] U.S. Cl. .... **D21/108; D3/304; D21/141**

[58] **Field of Search** ..... D21/108, 109, D21/114, 124, 125, 141; D3/304; 446/103, 110, 115, 120, 124, 125, 126, 128, 479, 487, 75, 76

[56] **References Cited**

**U.S. PATENT DOCUMENTS**

D. 267,027	11/1982	Wilks	.....	D21/141
D. 309,929	8/1990	Olsen	.....	D21/141
D. 313,824	1/1991	Weiland	.....	D21/141
D. 334,815	4/1993	Bunger	.....	D21/108

D. 346,628	5/1994	Ruszkai	.....	D21/108
3,616,943	11/1971	Brink	.....	446/128
5,380,232	1/1995	Berggreen et al.	.....	446/75

*Primary Examiner*—Terry A. Wallace

*Assistant Examiner*—R. Barkai

*Attorney, Agent, or Firm*—Kane, Dalsimer, Sullivan, Kurucz, Levy, Eisele and Richard

[57] **CLAIM**

The ornamental design for a toy container, as shown and described.

**DESCRIPTION**

FIG. 1 is a top perspective view of the toy container showing my new design;

FIG. 2 is a bottom perspective view thereof;

FIG. 3 is a front elevational view thereof;

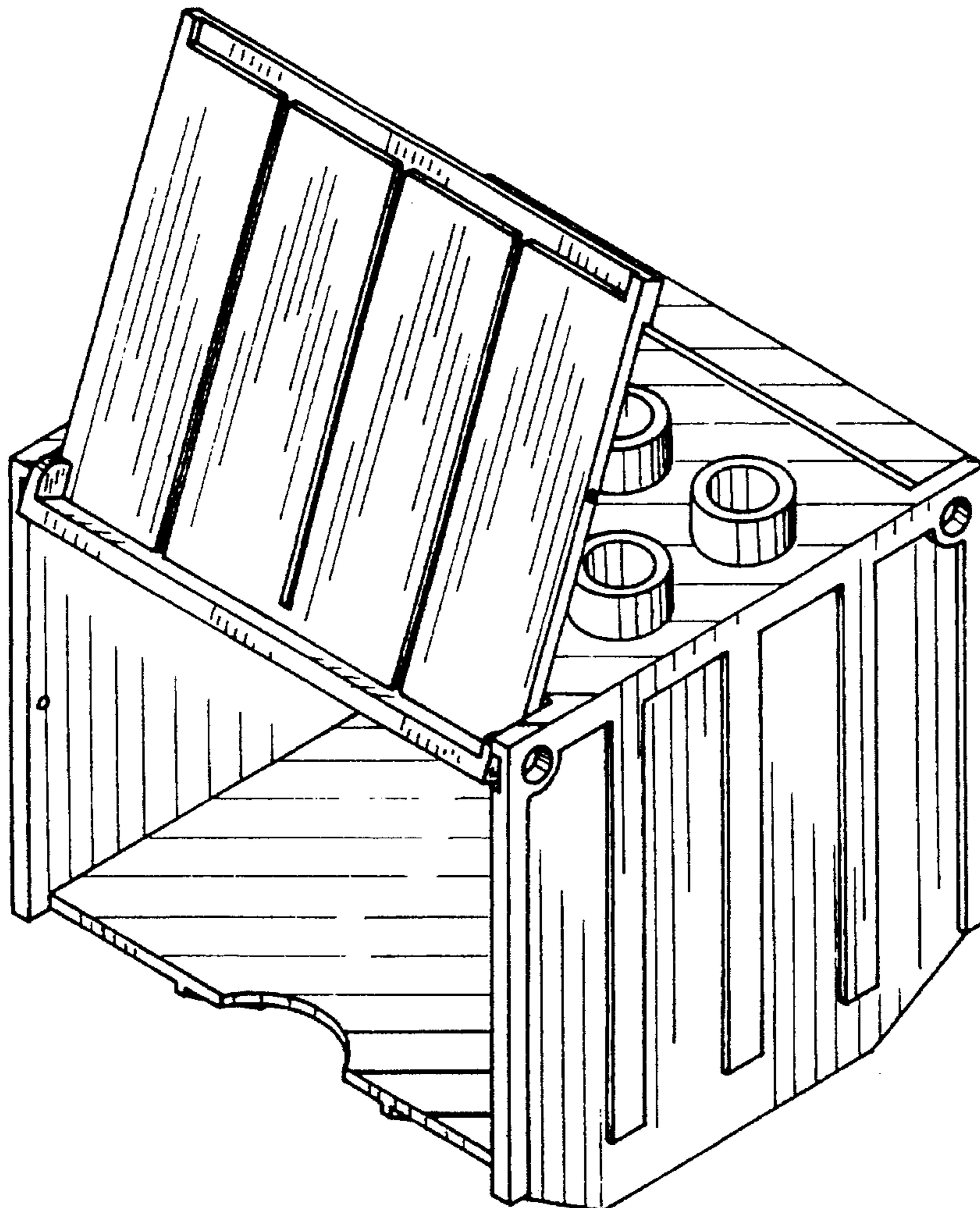
FIG. 4 is a left side elevational view thereof, the right side being a mirror image thereof;

FIG. 5 is a rear elevational view thereof;

FIG. 6 is a bottom plan view thereof; and,

FIG. 7 is a top plan view thereof.

**1 Claim, 3 Drawing Sheets**



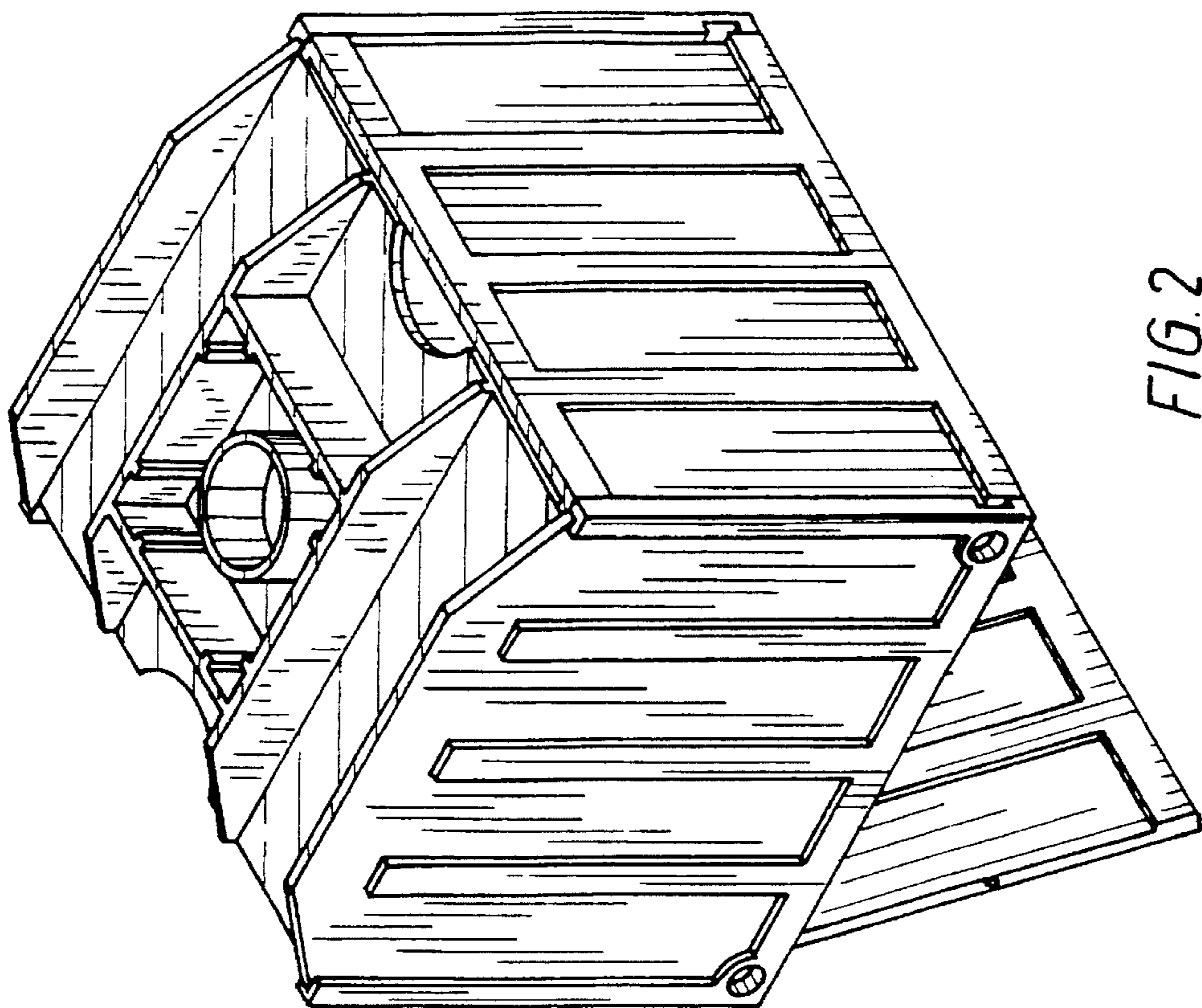


FIG. 2

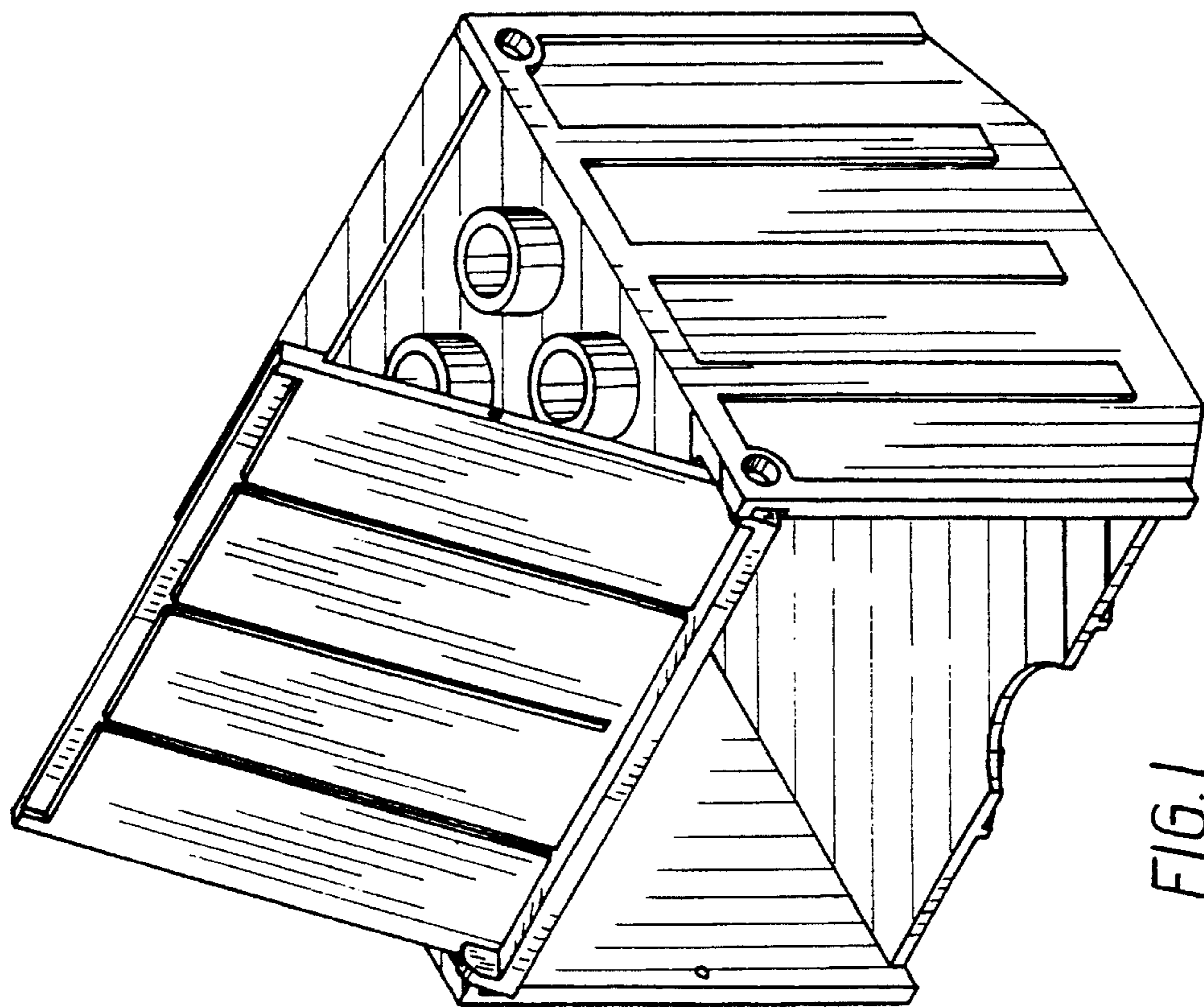


FIG. 1

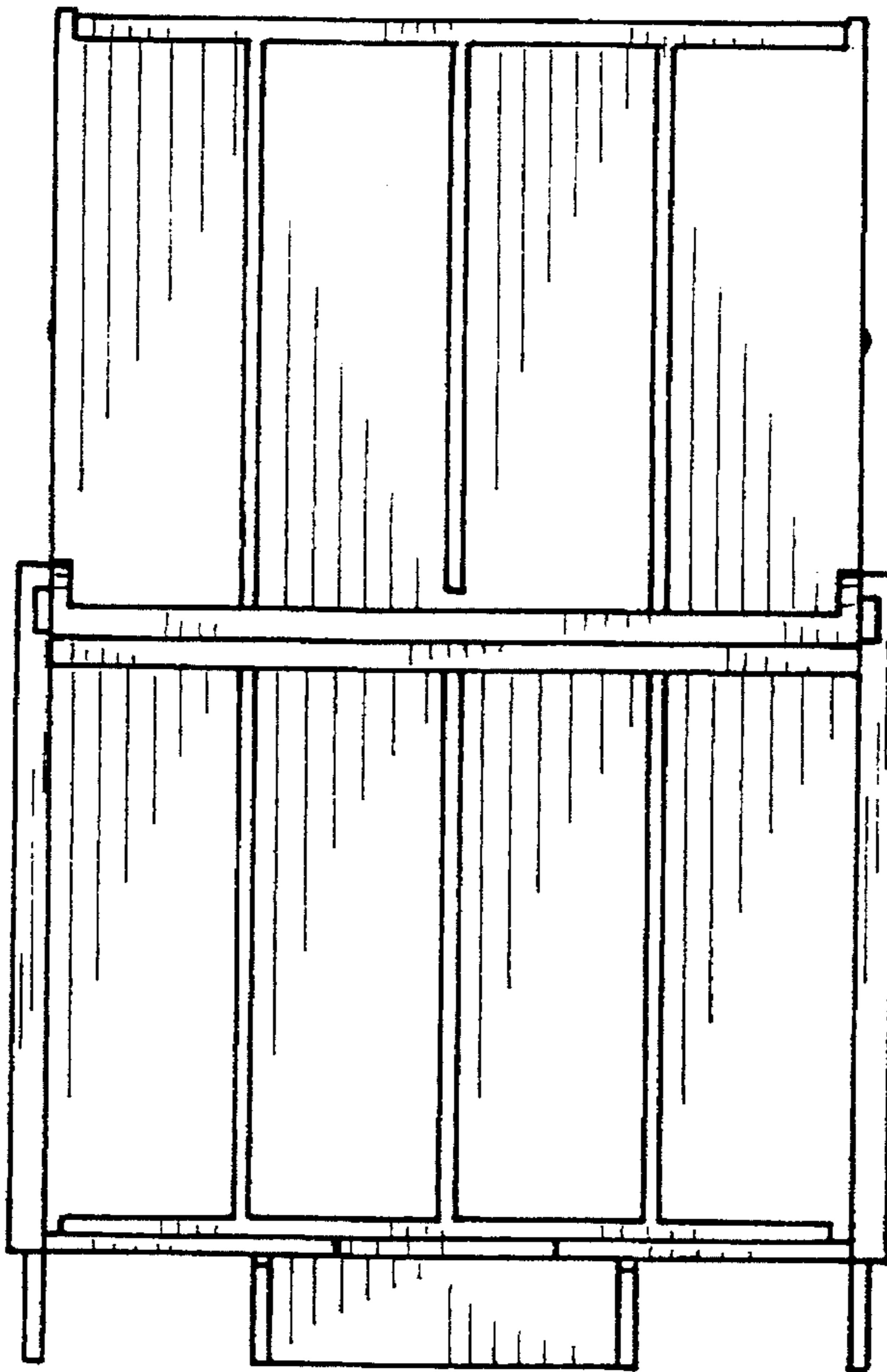


FIG. 3

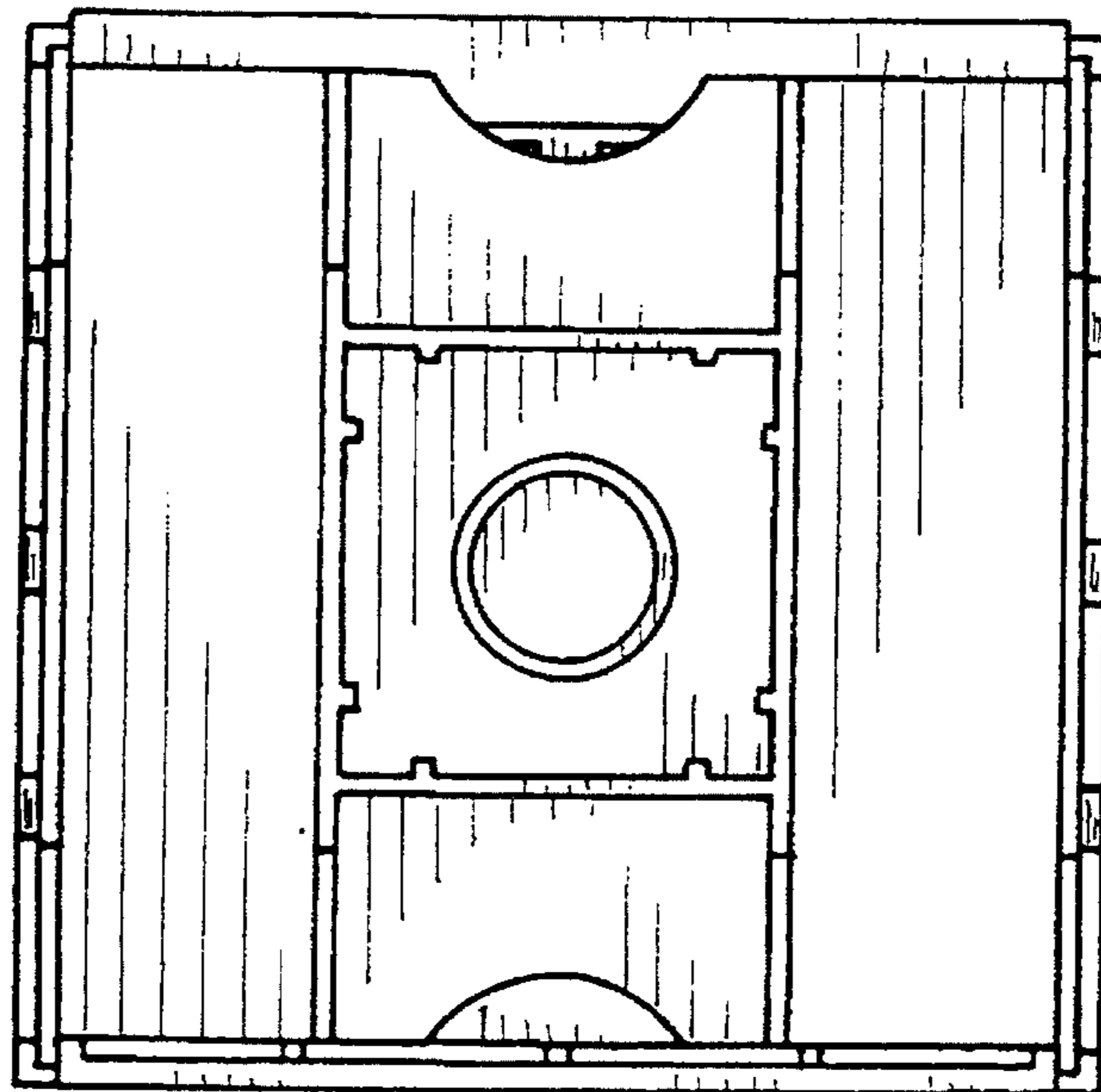


FIG. 6



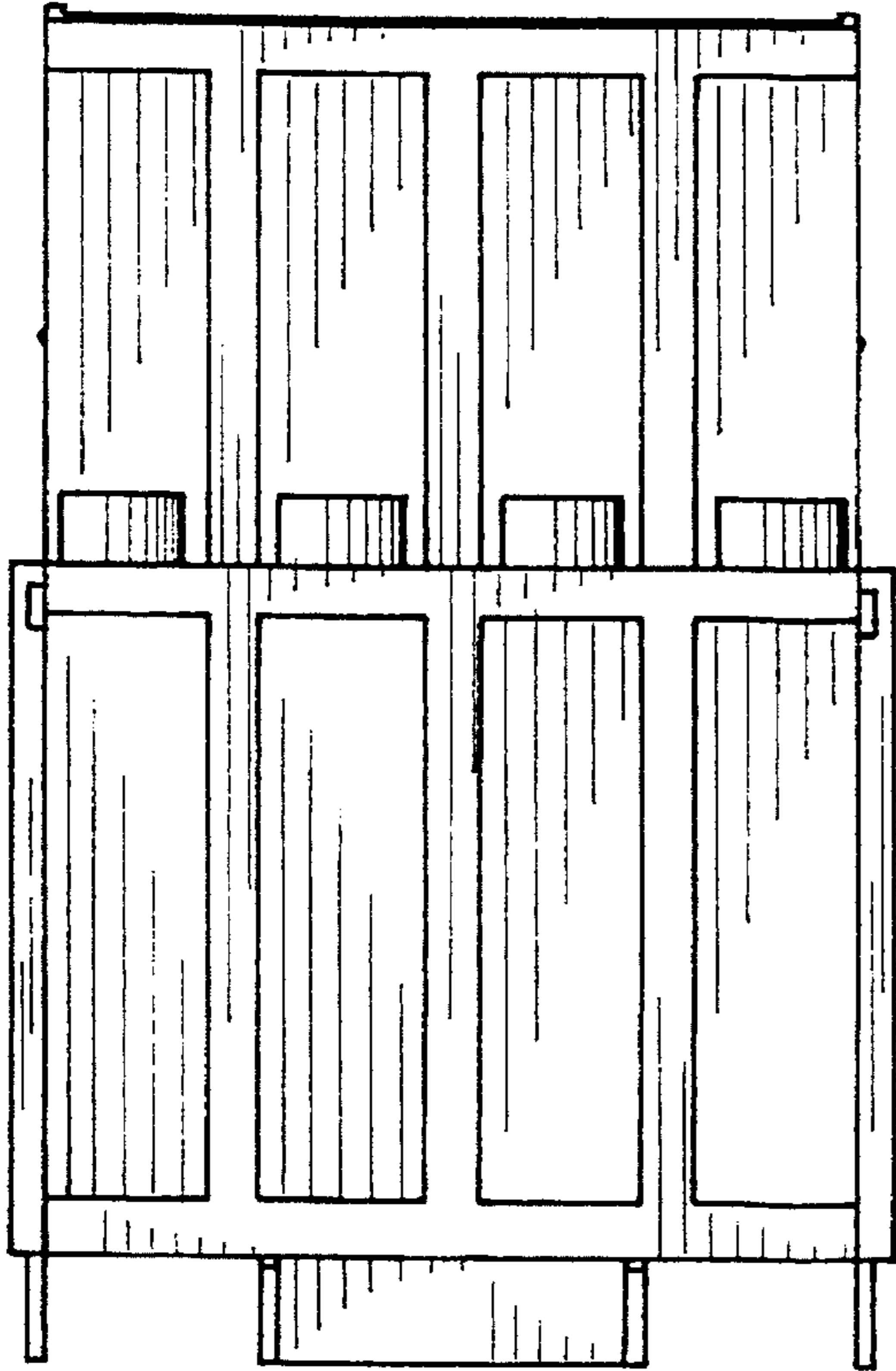


FIG. 5

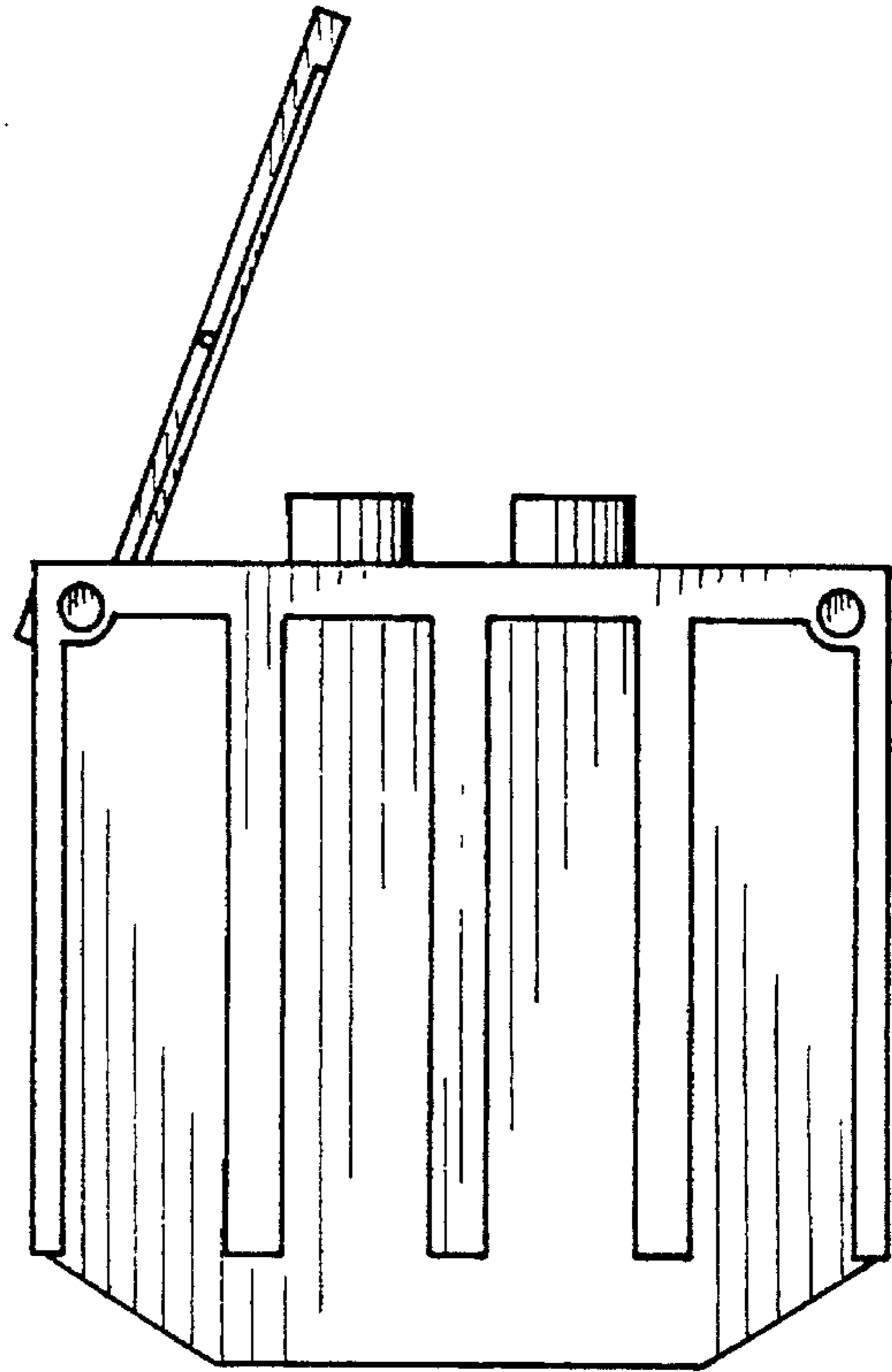


FIG. 4

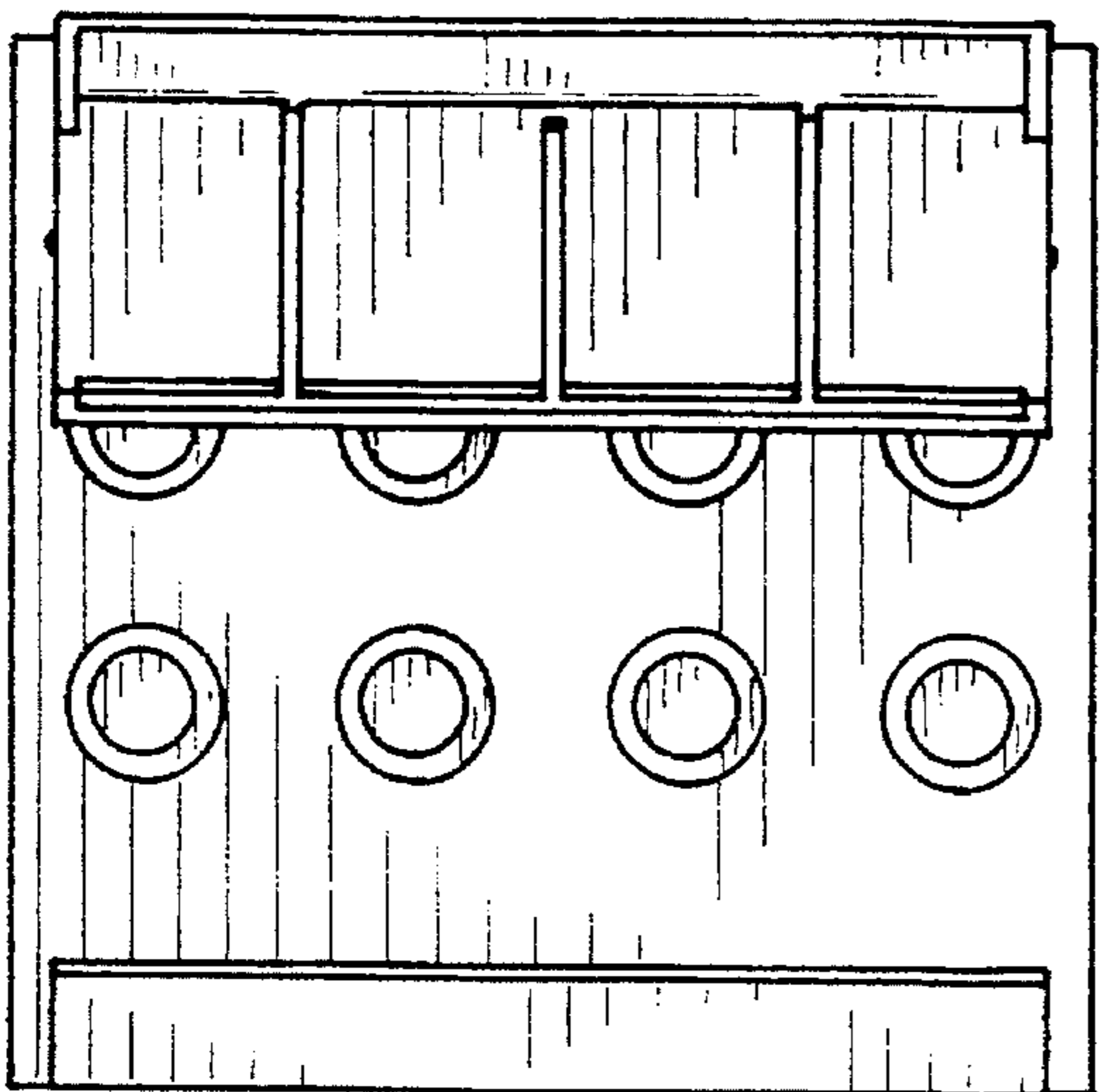


FIG. 7