



US00D371398S

# United States Patent [19] Glynn

[11] Patent Number: **Des. 371,398**

[45] Date of Patent: **\*\*Jul. 2, 1996**

[54] **TOY CONSTRUCTION BLOCK WITH SIDE ORIFICES**

[75] Inventor: **Kenneth P. Glynn**, Raritan Township, N.J.

[73] Assignee: **Ideal Ideas, Inc.**, Flemington, N.J.

[\*\*] Term: **14 Years**

[21] Appl. No.: **35,309**

[22] Filed: **Feb. 24, 1995**

[52] U.S. Cl. .... **D21/108**

[58] Field of Search ..... D21/59, 108; 446/103, 446/104, 106, 108, 110, 119, 121, 125, 127, 128

[56] **References Cited**

**U.S. PATENT DOCUMENTS**

- D. 231,787 6/1974 Burnley .
- D. 233,542 11/1974 Christiansen .
- D. 279,915 7/1985 Pibet .
- D. 285,813 9/1986 Takahashi .
- D. 317,478 6/1991 Larsen et al. .
- D. 330,055 10/1992 Jarnros ..... D21/108
- D. 336,666 6/1993 Knudsen .

- D. 343,426 1/1994 Sher .
- D. 353,851 12/1994 Glynn .
- D. 356,348 3/1995 Glynn ..... D21/108
- D. 357,037 4/1995 Glynn ..... D21/108
- 3,005,282 10/1961 Christiansen .
- 3,242,610 3/1966 Christiansen .
- 3,374,917 3/1968 Troy .
- 4,740,189 4/1988 Bertrand ..... 446/128
- 4,744,780 5/1988 Volpe ..... 446/128

*Primary Examiner*—Ted Shooman  
*Assistant Examiner*—R. Barkai  
*Attorney, Agent, or Firm*—Kenneth P. Glynn

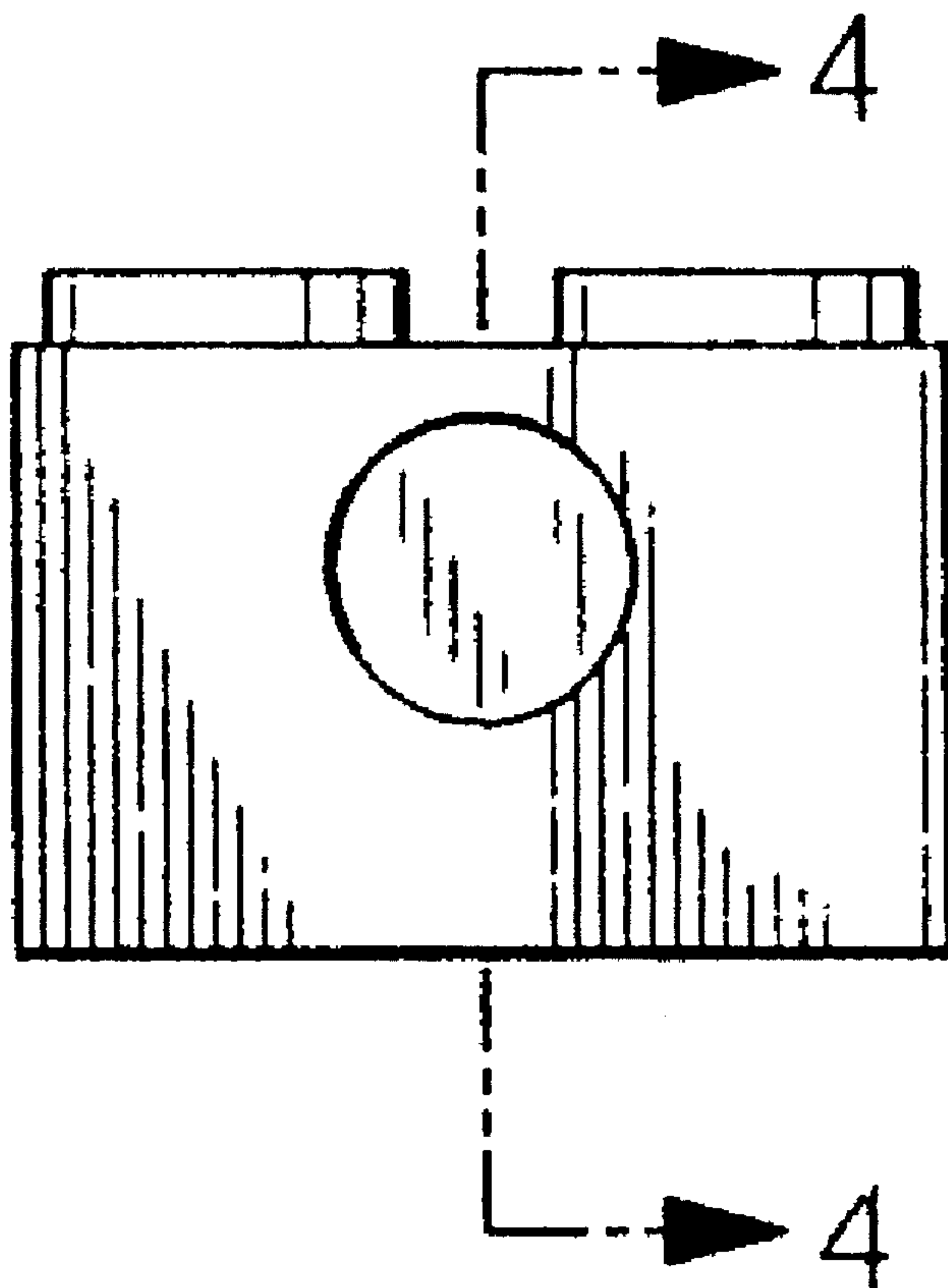
[57] **CLAIM**

The ornamental design for a toy construction block with side orifices, as shown and described.

**DESCRIPTION**

FIG. 1 is a top view of a toy construction block with side orifices showing my new design;  
FIG. 2 is a bottom view thereof;  
FIG. 3 is a left side elevational view thereof, the right side, the rear and front elevational views are identical; and,  
FIG. 4 is a sectional view thereof taken along the line 4—4 in FIG. 3.

**1 Claim, 1 Drawing Sheet**



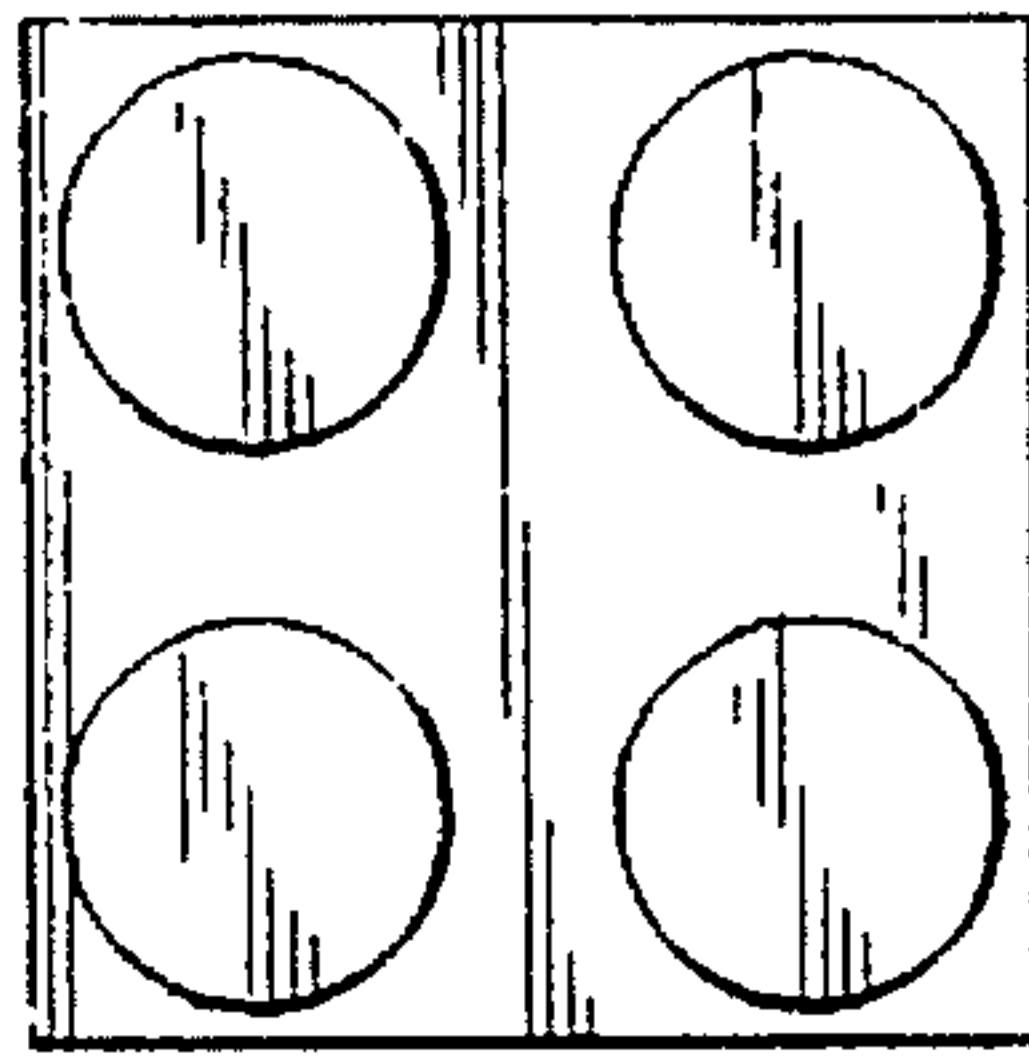


FIG. 1

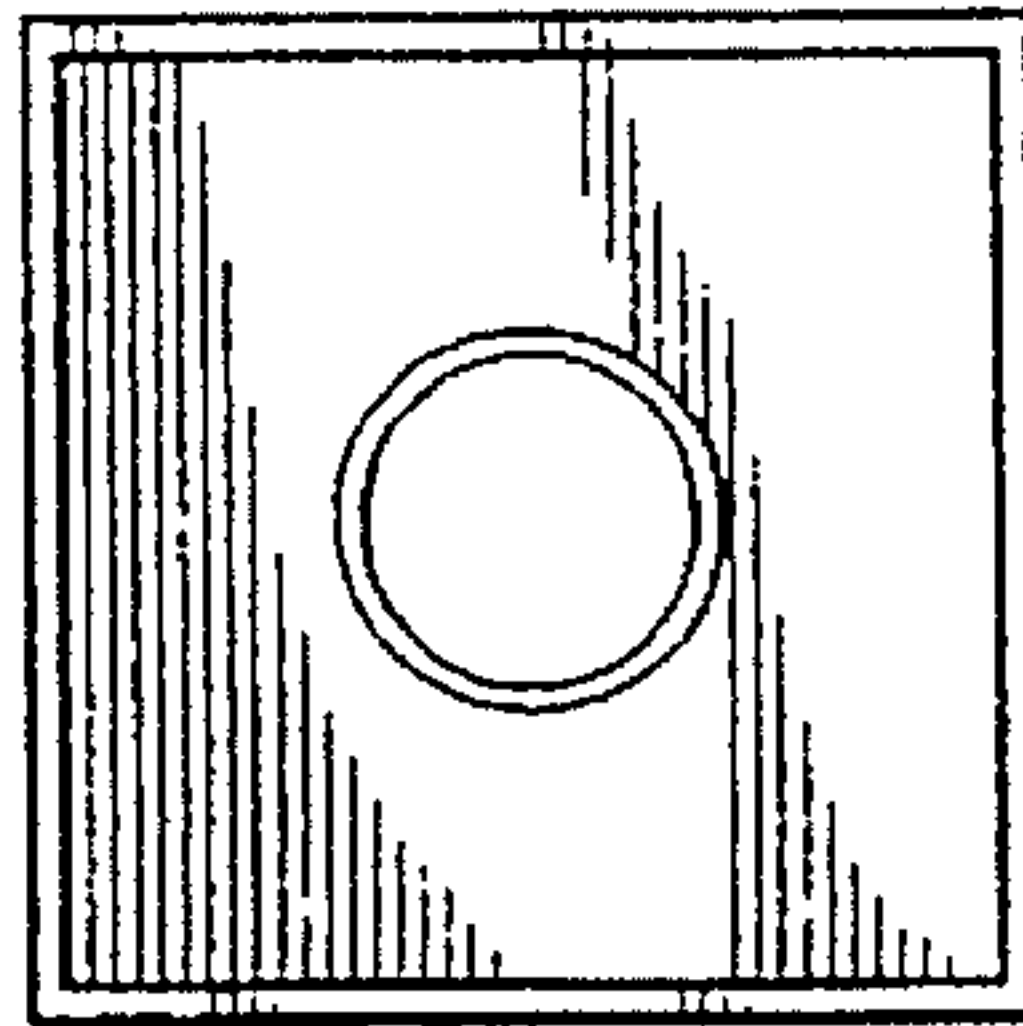


FIG. 2

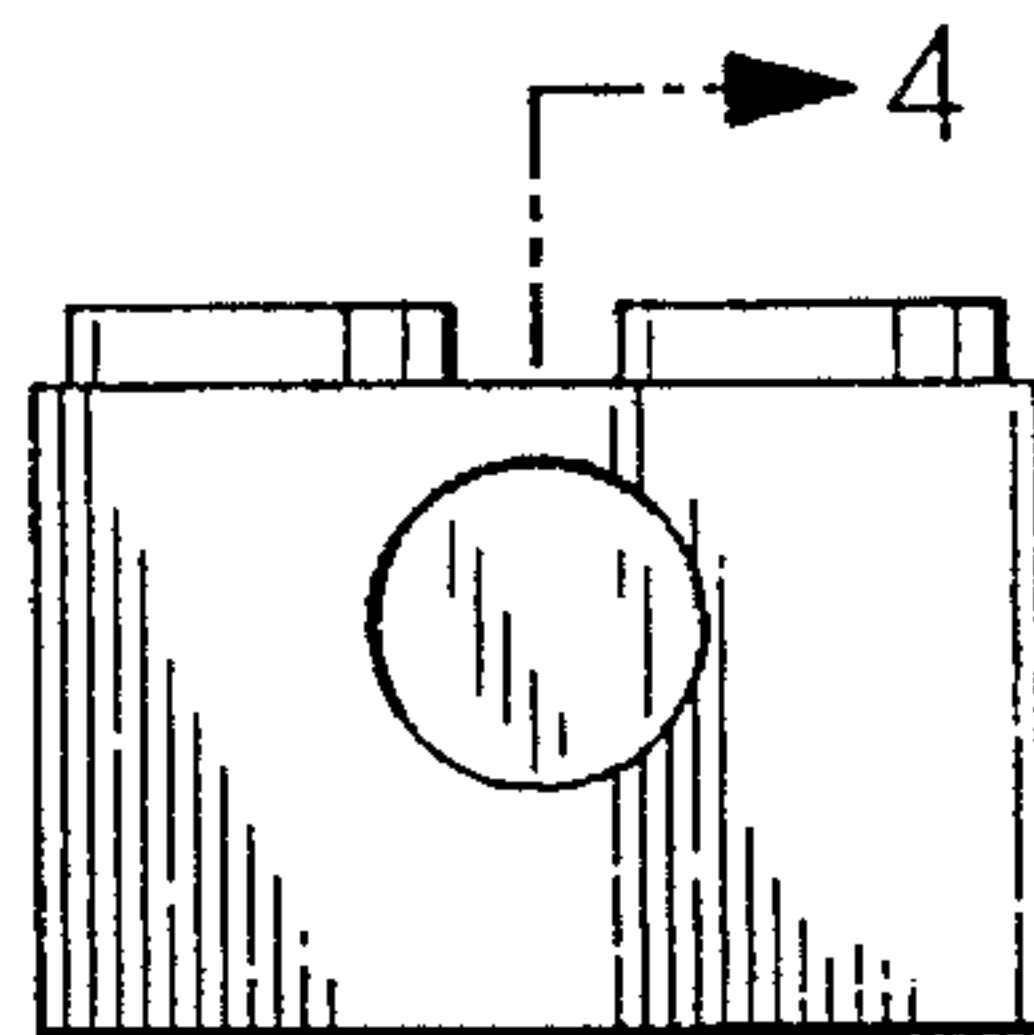


FIG. 3

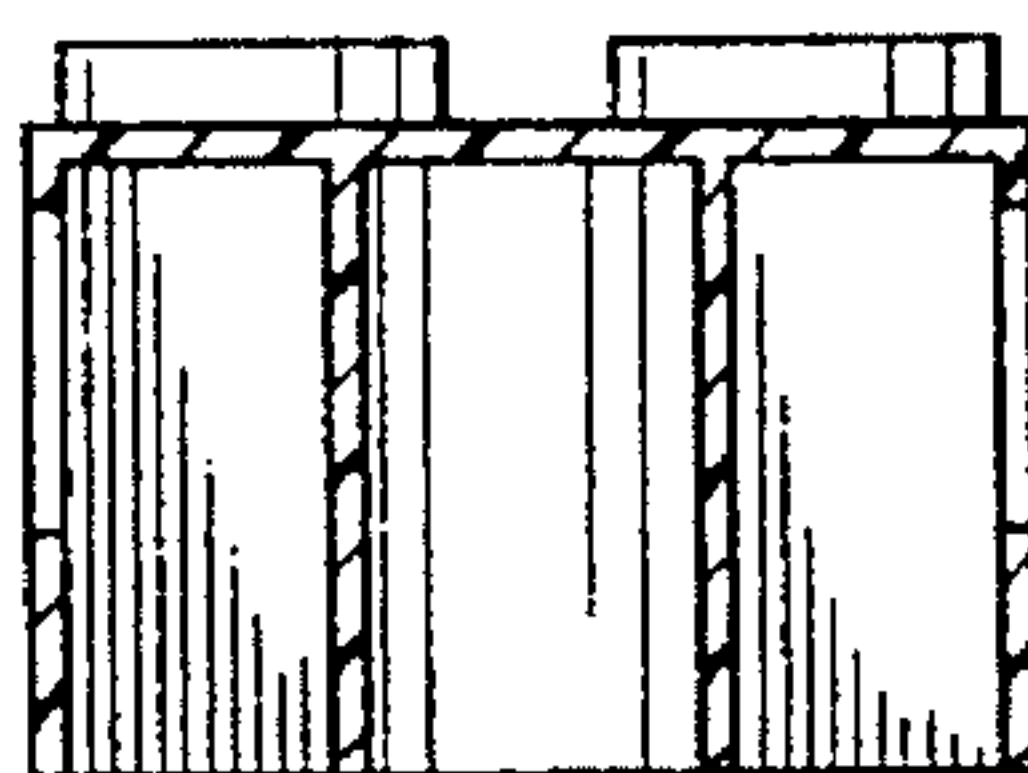


FIG. 4