



US00D371393S

United States Patent [19]
McMillan

[11] **Patent Number: Des. 371,393**

[45] **Date of Patent: **Jul. 2, 1996**

[54] **HANDICAPPED ACCESS SIGN**
[76] Inventor: **Patrick J. McMillan**, 6113 Golden Rd.,
Elgin, Iowa 52141
[**] Term: **14 Years**
[21] Appl. No.: **27,042**
[22] Filed: **Aug. 11, 1994**
[52] U.S. Cl. **D20/42**
[58] Field of Search D20/10, 39, 40,
D20/41, 42; 40/1, 540, 541, 584, 591, 593,
617, 618, 624, 152, 152.1

3,668,799 6/1972 Sharron 40/152.1
3,782,015 1/1974 Esry 40/152
3,811,214 5/1974 Tate 40/152

Primary Examiner—Marcus A. Jackson
Attorney, Agent, or Firm—Andrus, Scales, Starke & Sawall

[57] **CLAIM**

The ornamental design of a handicapped access sign, as shown and described.

DESCRIPTION

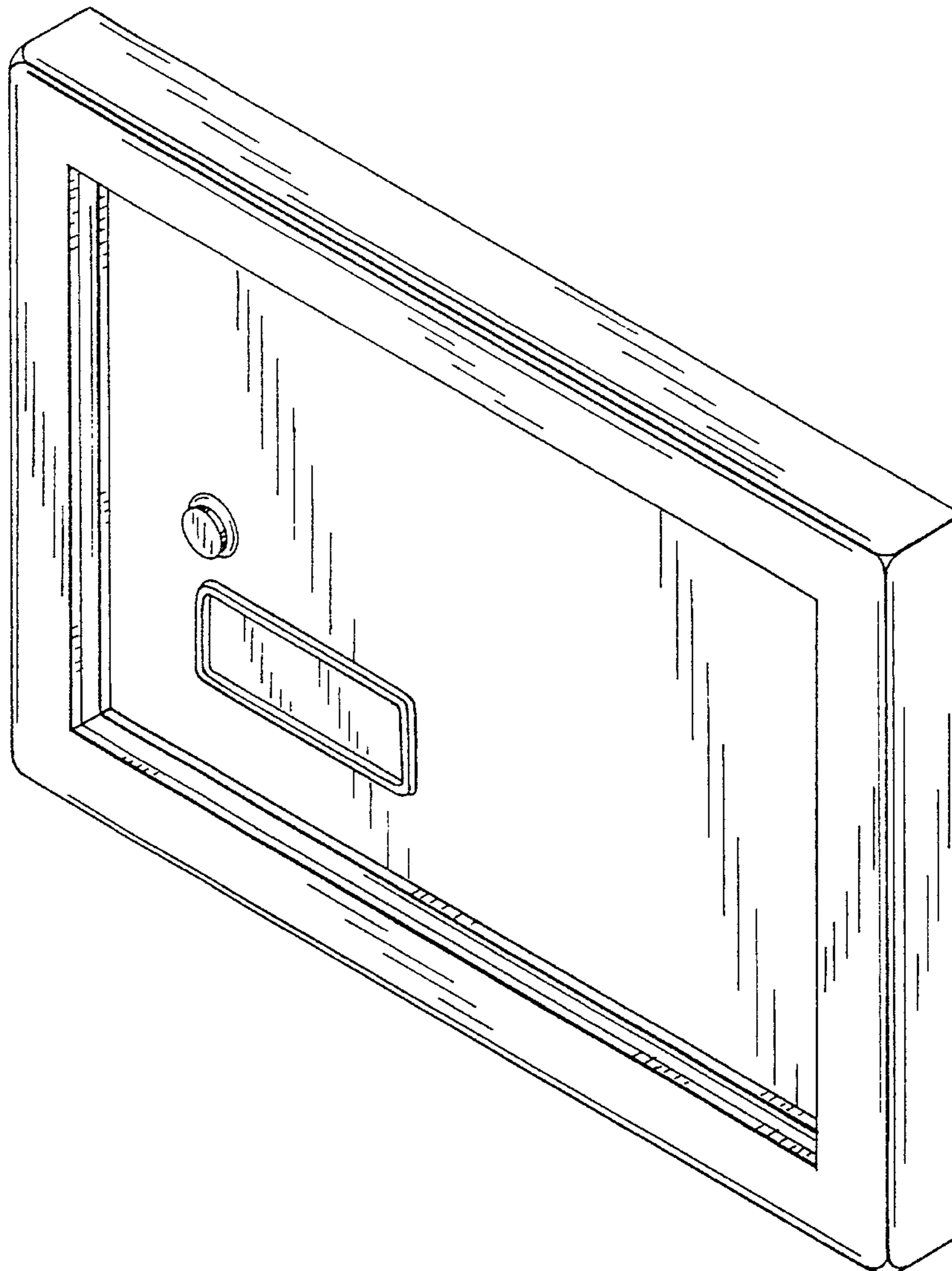
FIG. 1 is an isometric view of a handicapped access sign incorporating my new design;
FIG. 2 is a front elevation view thereof;
FIG. 3 is a top elevation view thereof;
FIG. 4 is a side elevation view thereof; and,
FIG. 5 is a partial section view taken along line 5—5 of FIG. 2.

[56] **References Cited**

U.S. PATENT DOCUMENTS

D. 229,641 12/1973 Robertson D20/42
D. 269,979 8/1983 Pakula D20/42
D. 304,348 10/1989 Dunn D20/10
D. 336,313 6/1993 Reed D20/10

1 Claim, 2 Drawing Sheets



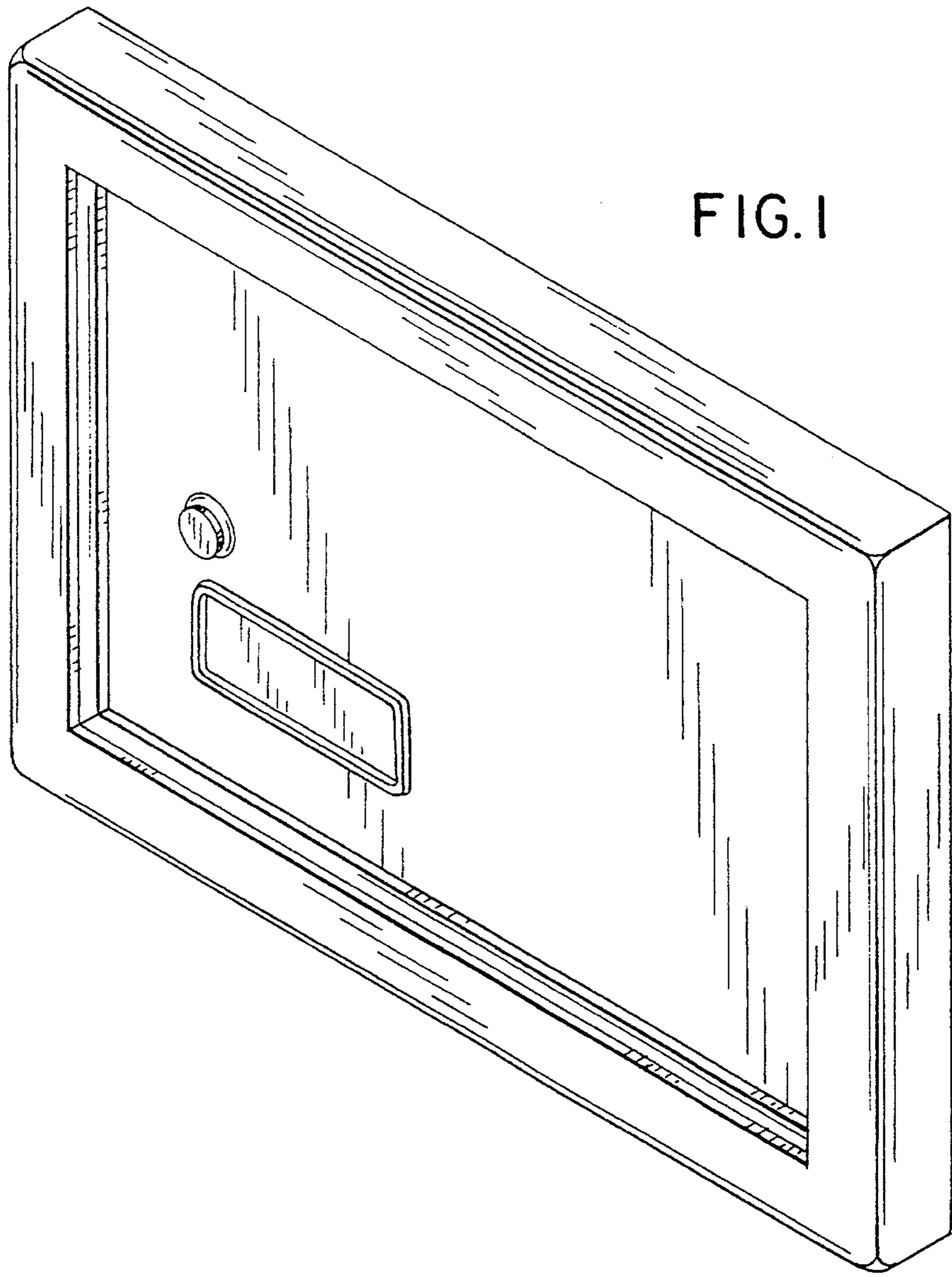


FIG. 1

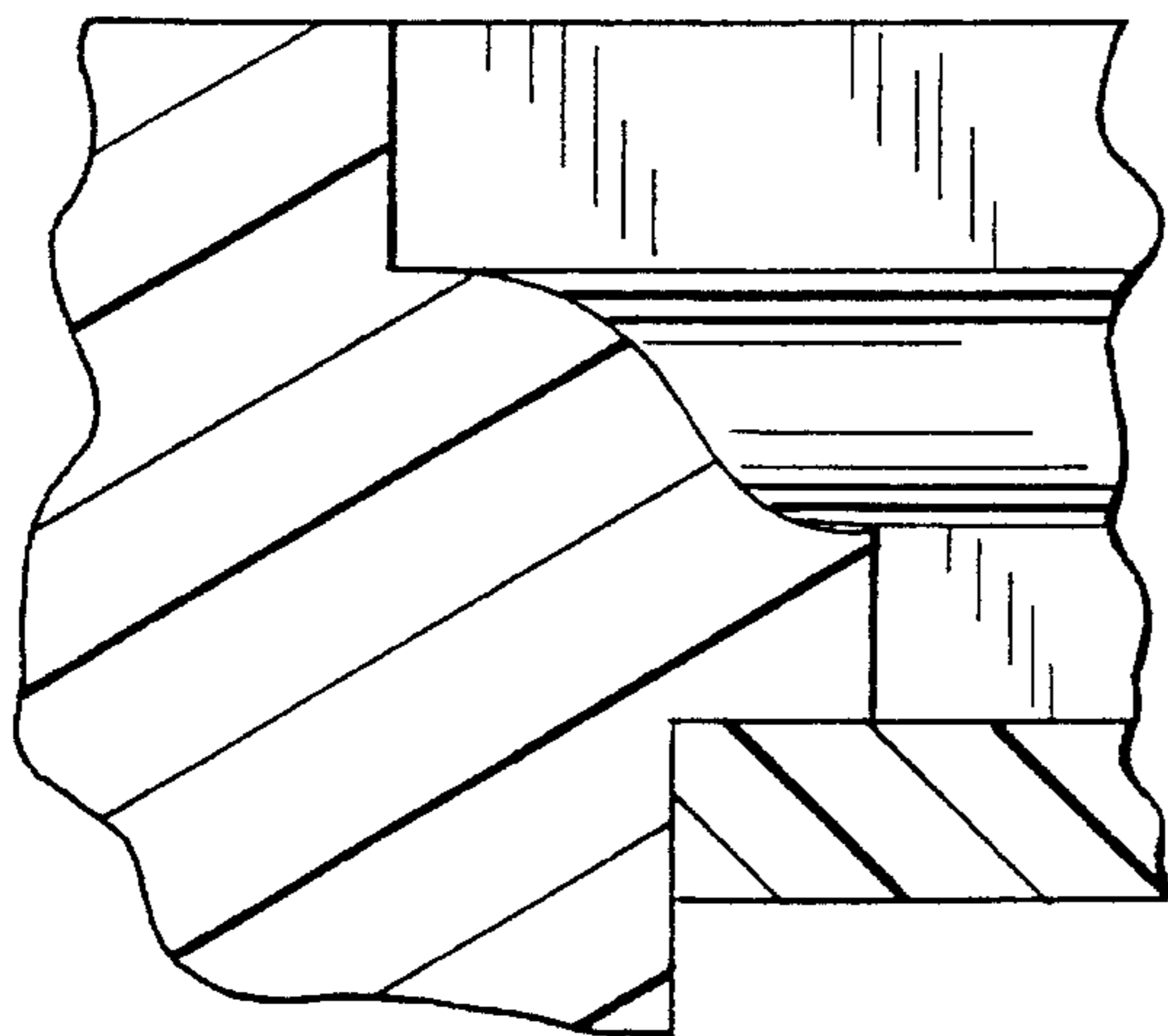


FIG. 5

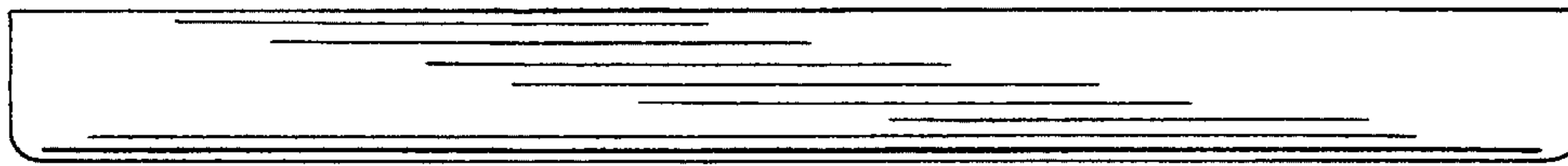


FIG. 3

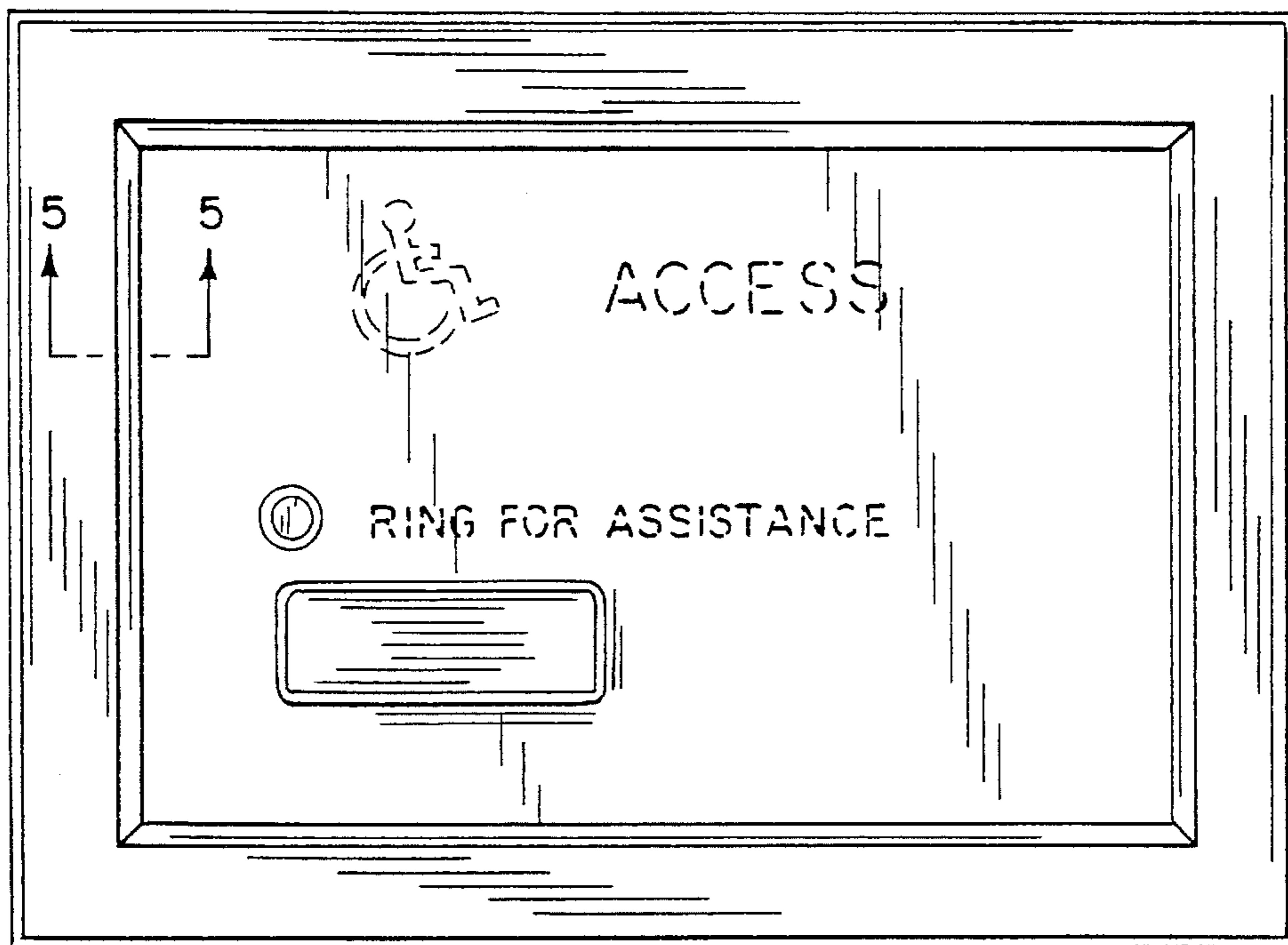


FIG. 2

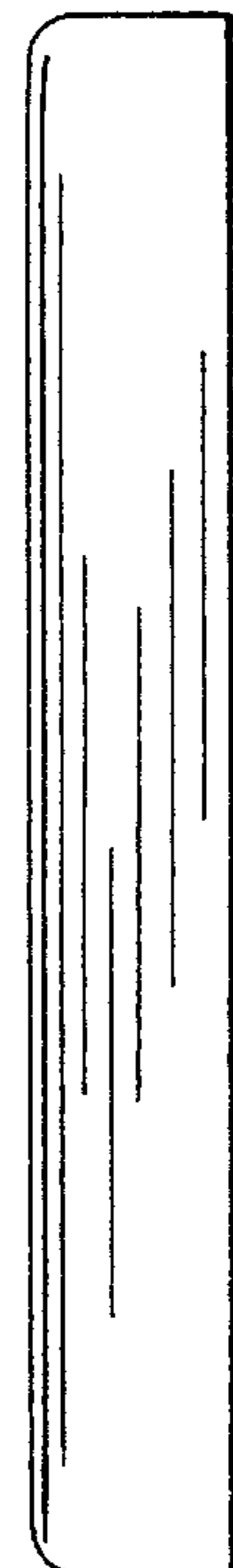


FIG. 4