



US00D371392S

# United States Patent [19]

[11] Patent Number: **Des. 371,392**

Wingate et al.

[45] Date of Patent: **\*\*Jul. 2, 1996**

[54] **MODULE FOR A VENDING DISPLAY MACHINE**

D. 180,693	7/1957	Mosley .....	D28/64 X
D. 295,425	4/1988	Krakauer .....	D20/1 X
D. 309,919	8/1990	Byrley .....	D20/1
4,523,439	6/1985	Denisot .....	312/236 X

[75] Inventors: **Barry Wingate**, San Jose, Calif.; **Kathleen G. Peeples**; **John A. Wickman**, both of Houston, Tex.; **Peter F. Kenaghan**, Hampshire, United Kingdom; **Frank E. Mars**, Glenmoore, Pa.

### OTHER PUBLICATIONS

Vending Times; p. 20; Vending machine, top of page.

[73] Assignee: **Mars GB Limited**, Slough, United Kingdom

*Primary Examiner*—Ted Shooman  
*Assistant Examiner*—Mitchell I. Siegel  
*Attorney, Agent, or Firm*—Curtis, Morris & Safford

[\*\*] Term: **14 Years**

### [57] CLAIM

[21] Appl. No.: **25,703**

The ornamental design for a module for a vending display machine, as shown and described.

[22] Filed: **Jul. 8, 1994**

### DESCRIPTION

### [30] Foreign Application Priority Data

Jan. 10, 1994 [GB] United Kingdom ..... 2036220

[52] U.S. Cl. .... **D20/1**

[58] Field of Search ..... D20/1, 4, 8; D9/418; D7/598; 312/116, 119, 198, 236; 221/92, 155; D6/512

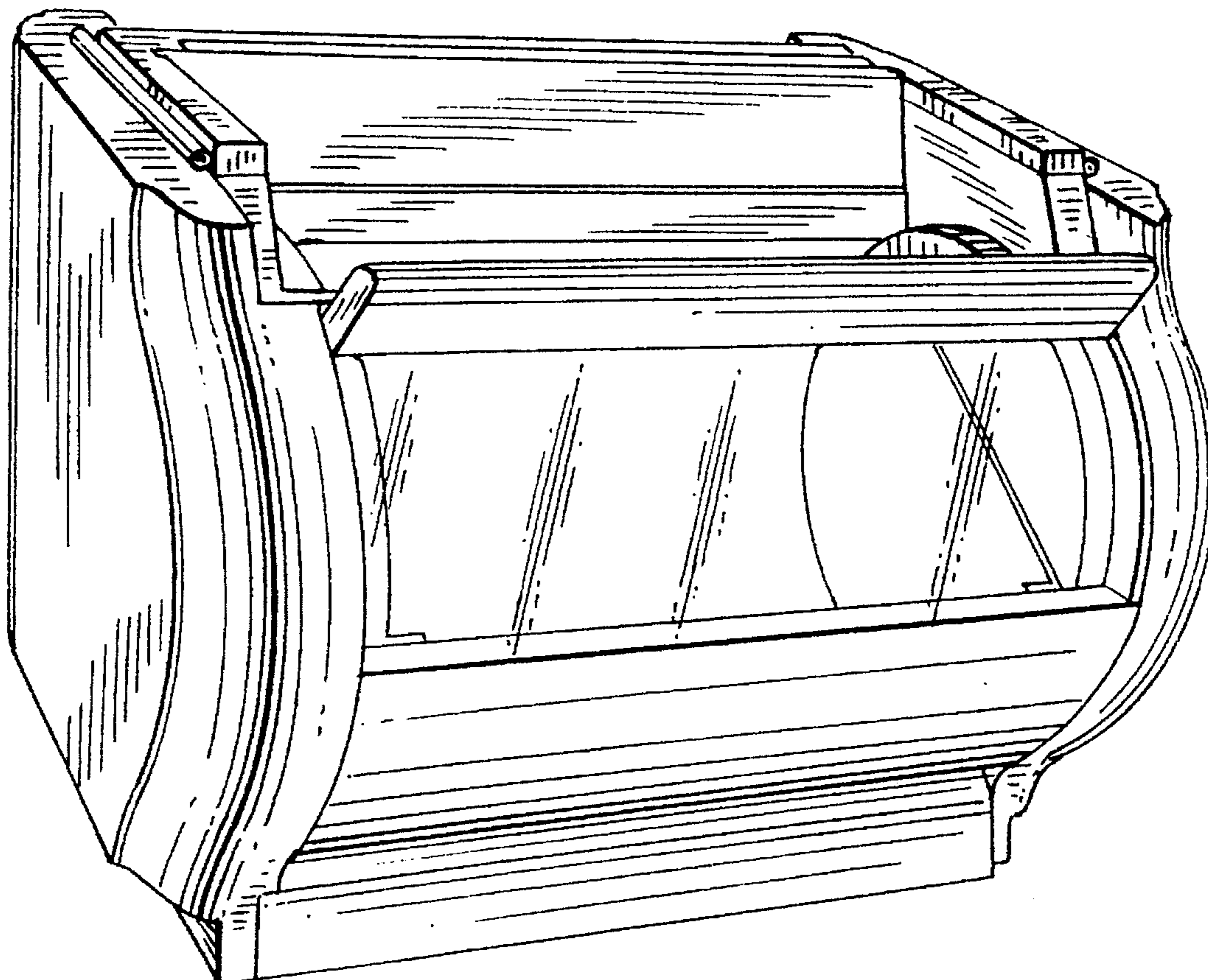
FIG. 1 is a front perspective view of a module for a vending display machine showing our new design; FIG. 2 is a rear perspective view thereof; FIG. 3 is a left side elevational view thereof; FIG. 4 is a right side elevational view thereof; FIG. 5 is a top plan view thereof; FIG. 6 is a front elevational view thereof; FIG. 7 is a rear elevational view thereof; and, FIG. 8 is a bottom plan view thereof.

### [56] References Cited

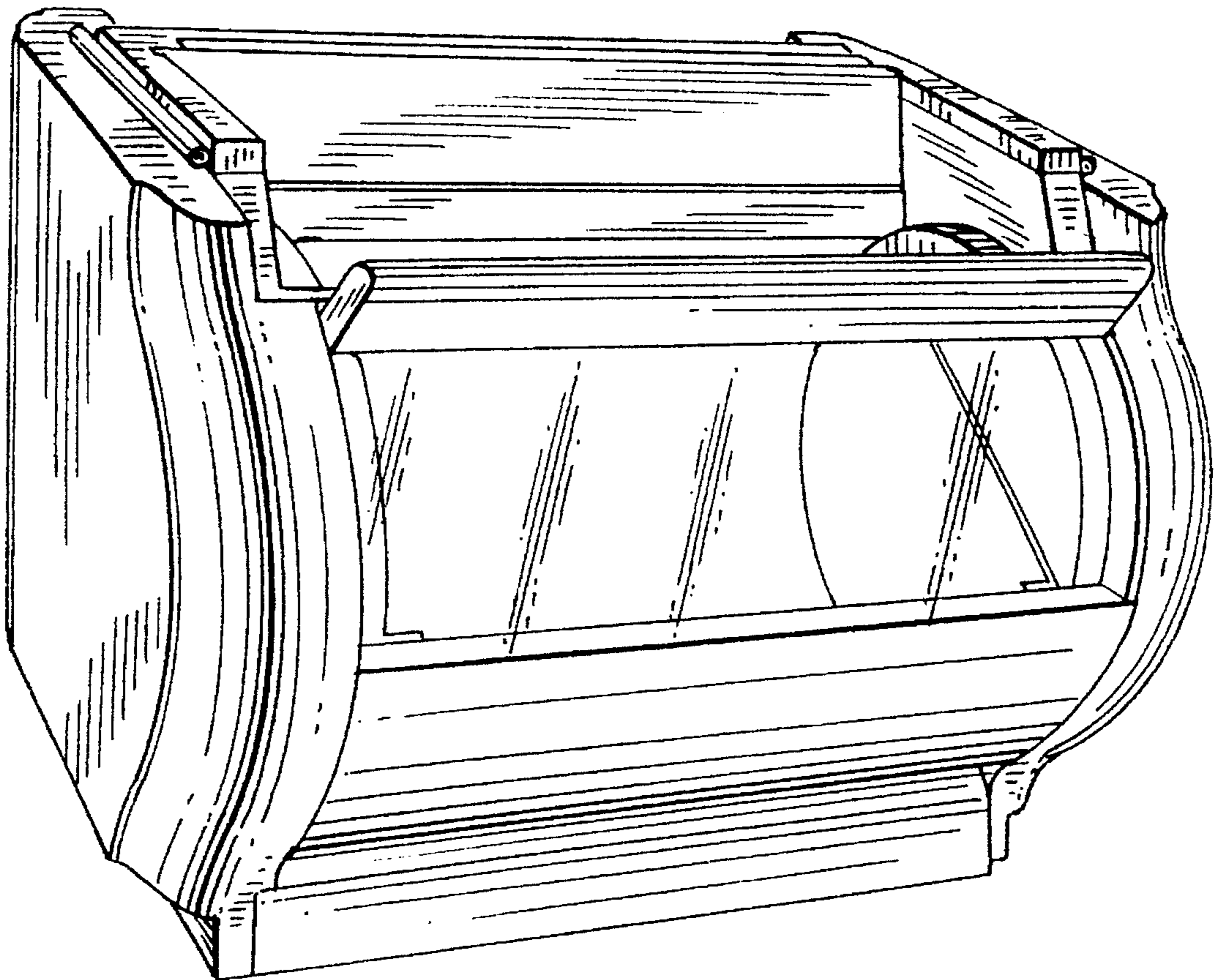
#### U.S. PATENT DOCUMENTS

D. 85,877 12/1931 Kecheal ..... D20/4

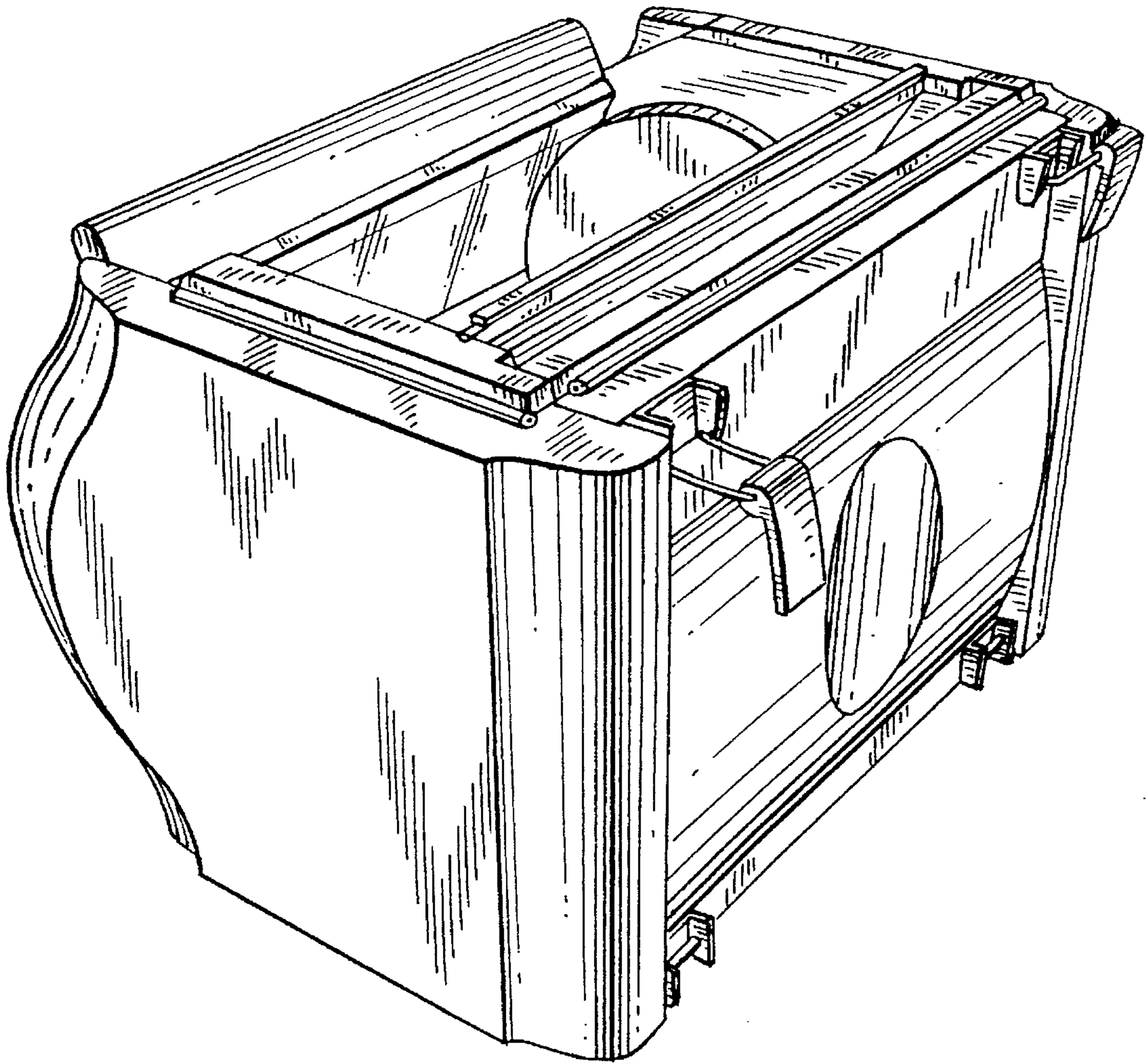
**1 Claim, 4 Drawing Sheets**



*FIG. 1*



*FIG. 2*



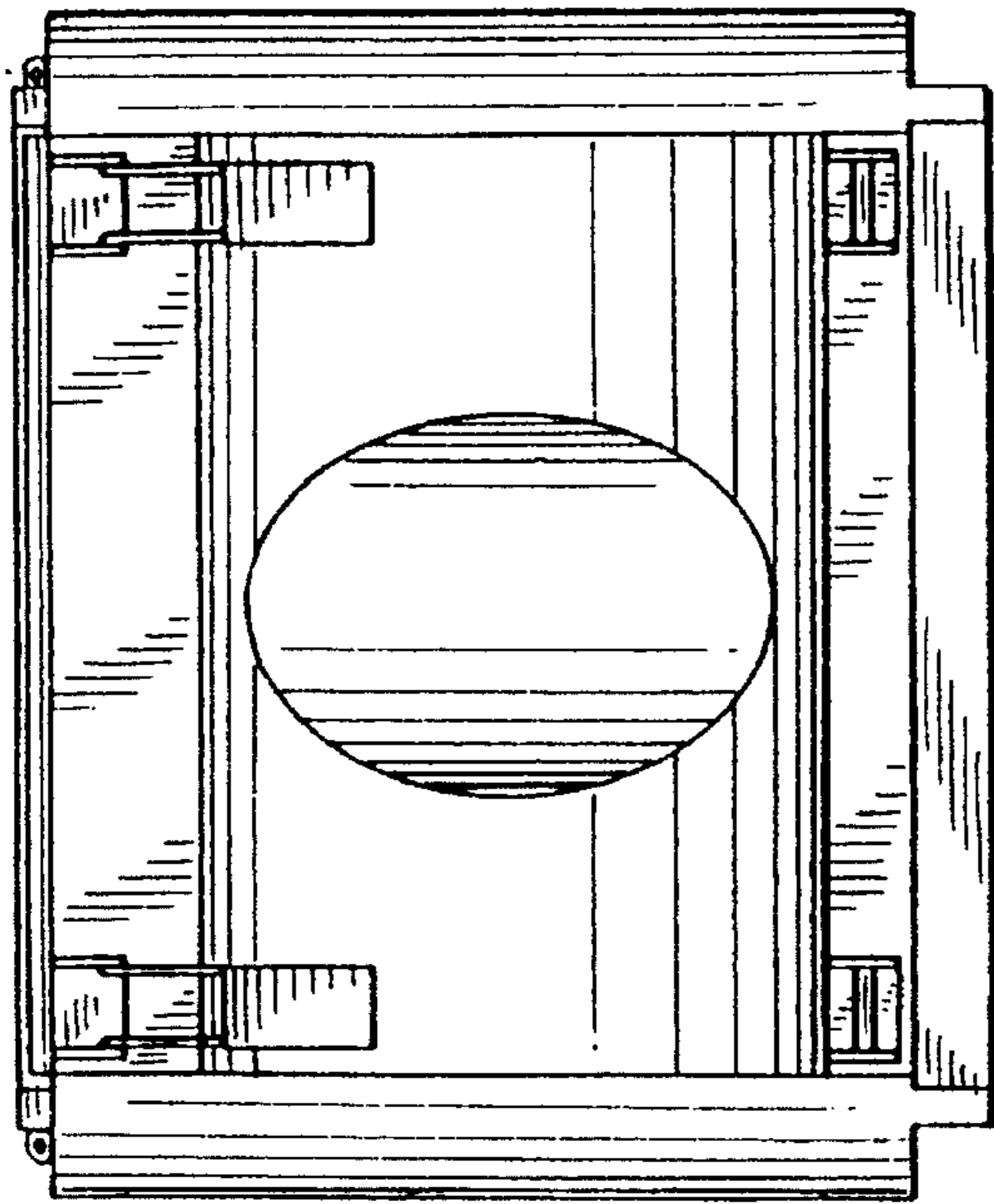


FIG. 7

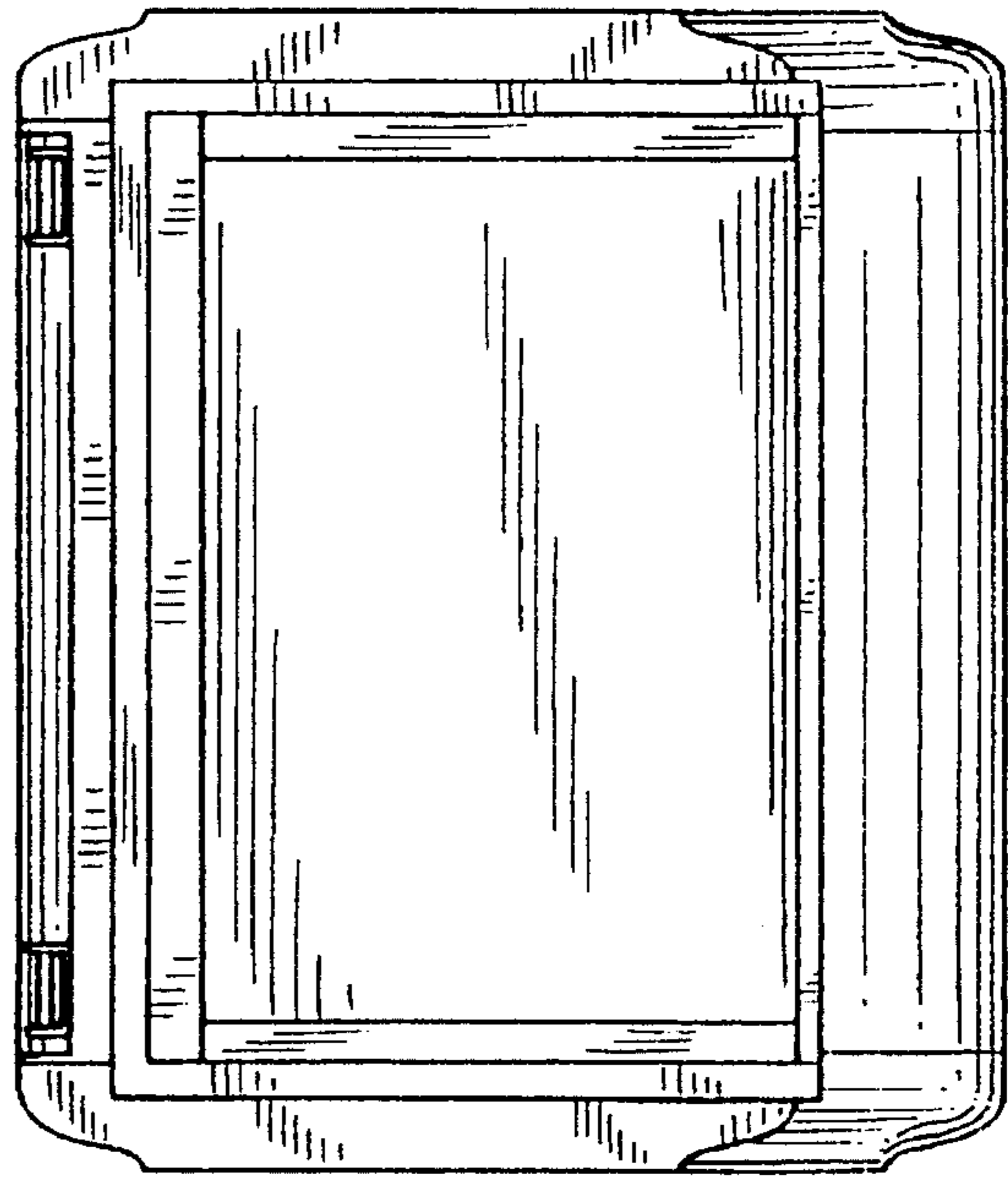


FIG. 8

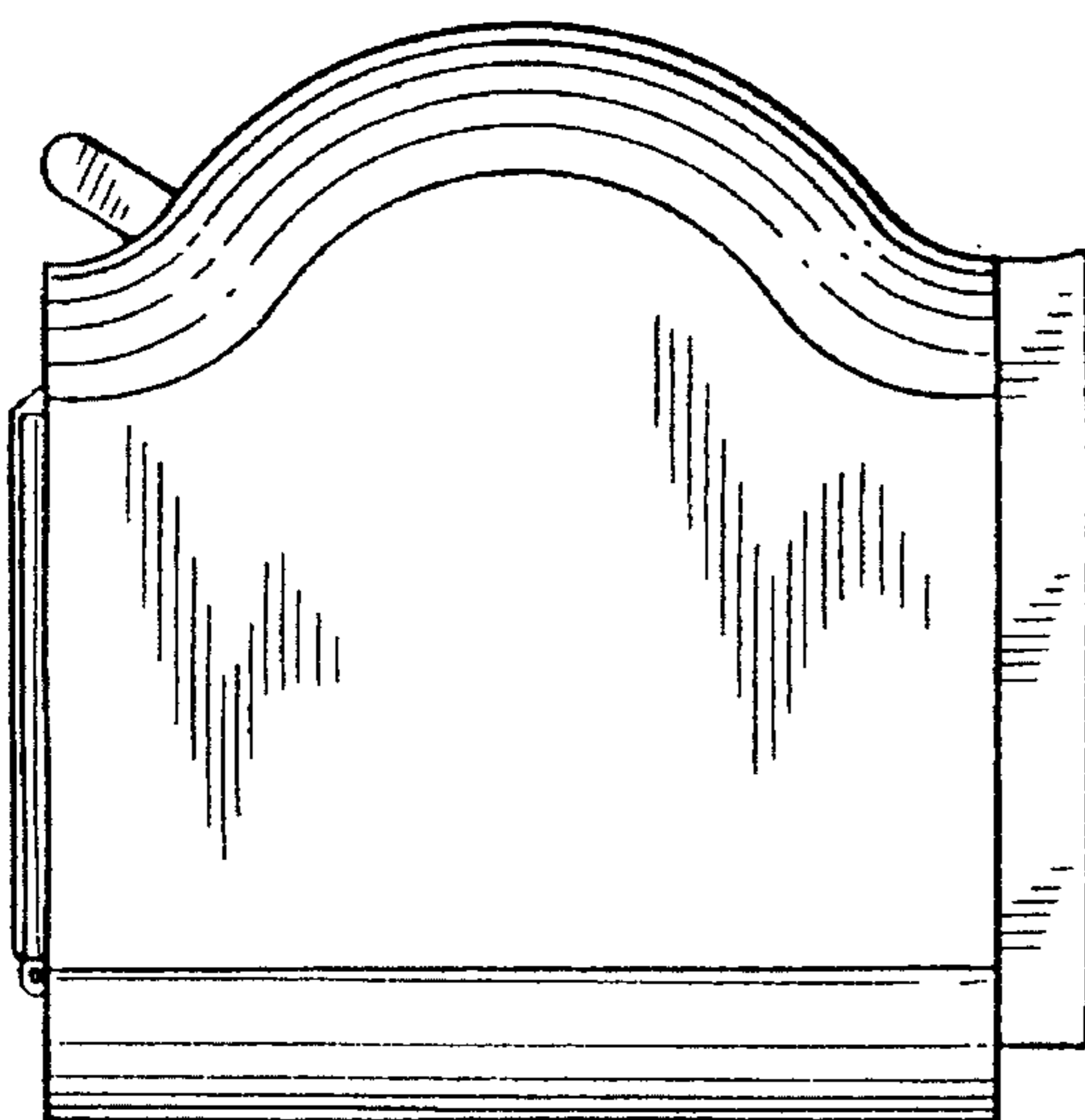


FIG. 3

FIG. 4

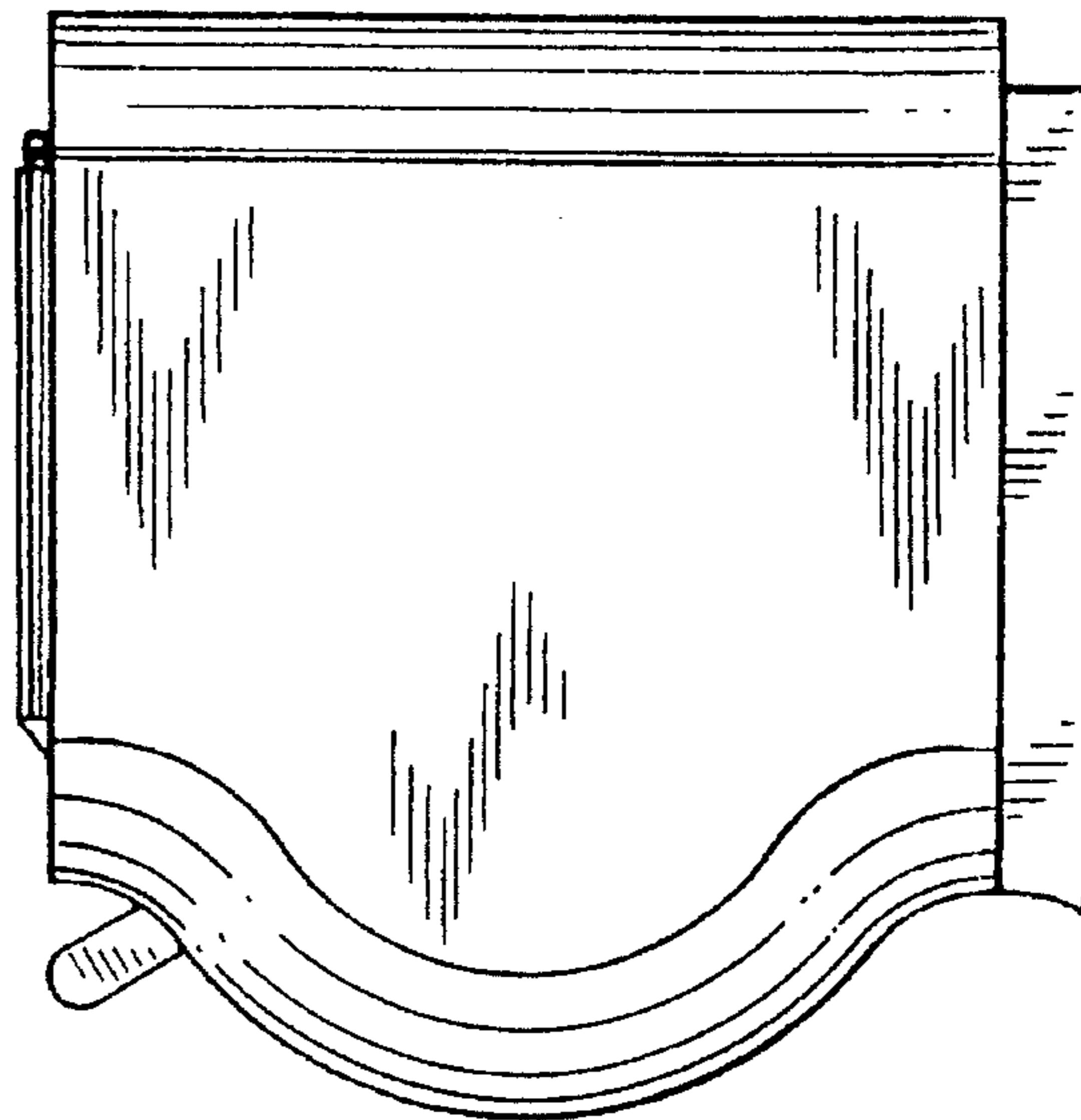


FIG. 5

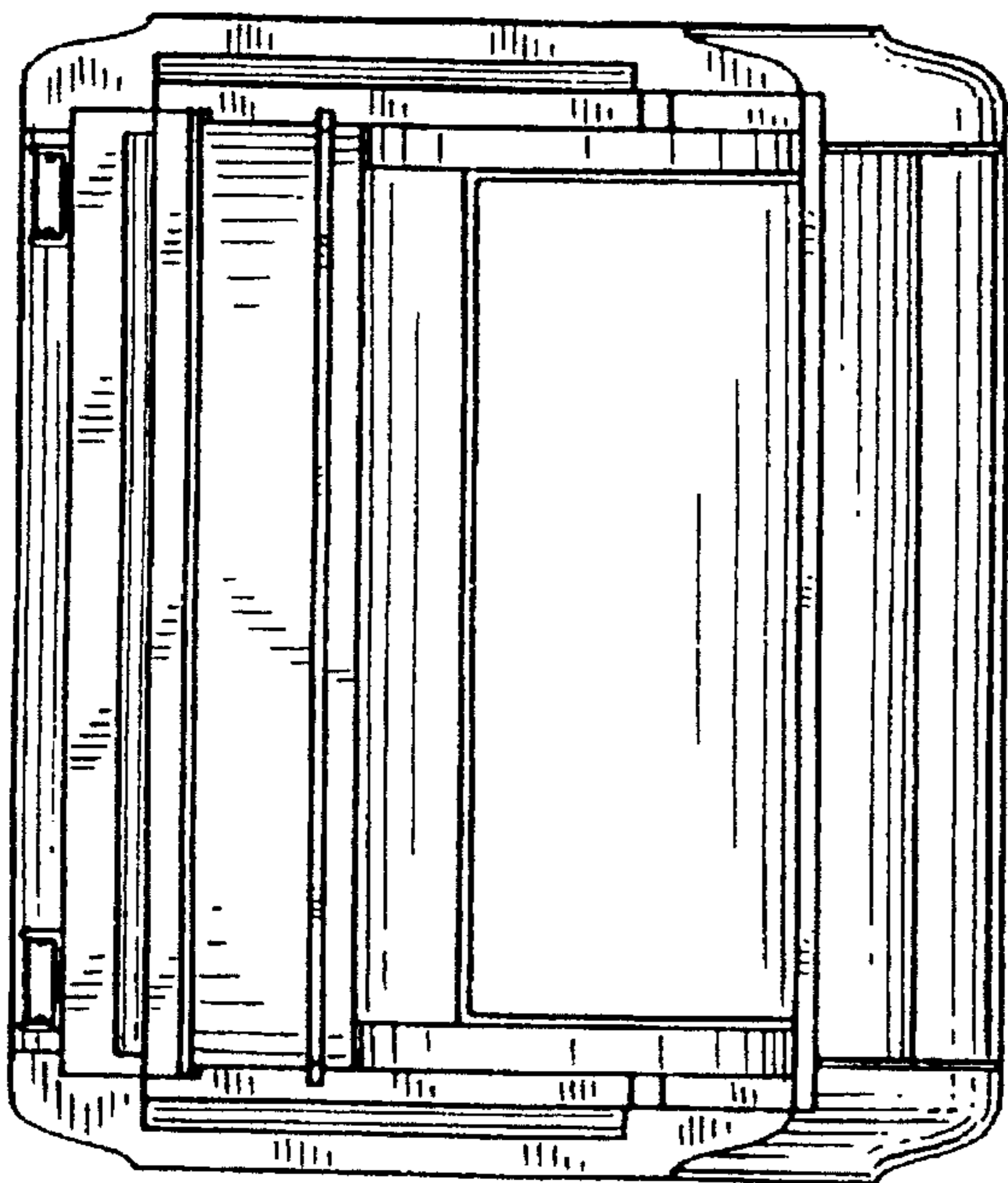


FIG. 6

