



US00D371387S

United States Patent [19] Woock

[11] **Patent Number:** **Des. 371,387**
[45] **Date of Patent:** ****Jul. 2, 1996**

[54] **CALENDAR HOLDER**

4,094,082 6/1978 Cannarozzo .
5,123,191 6/1992 Kim .

[76] Inventor: **Allen W. Woock**, P.O. Box 611,
Roundup, Mont. 59072

FOREIGN PATENT DOCUMENTS

[**] Term: **14 Years**

1223736 3/1971 United Kingdom 40/122

[21] Appl. No.: **19,843**

Primary Examiner—A. Hugo Word
Assistant Examiner—Pamela Burgess
Attorney, Agent, or Firm—Terry M. Gernstein

[22] Filed: **Mar. 14, 1994**

[52] U.S. Cl. **D19/20; D14/100**

[57] CLAIM

[58] **Field of Search** D19/20-25, 59,
D19/60; D14/100; D18/6, 7; 281/45; 283/2,
3, 4; 40/107-120

The ornamental design for a calendar holder, as shown and described.

[56] References Cited

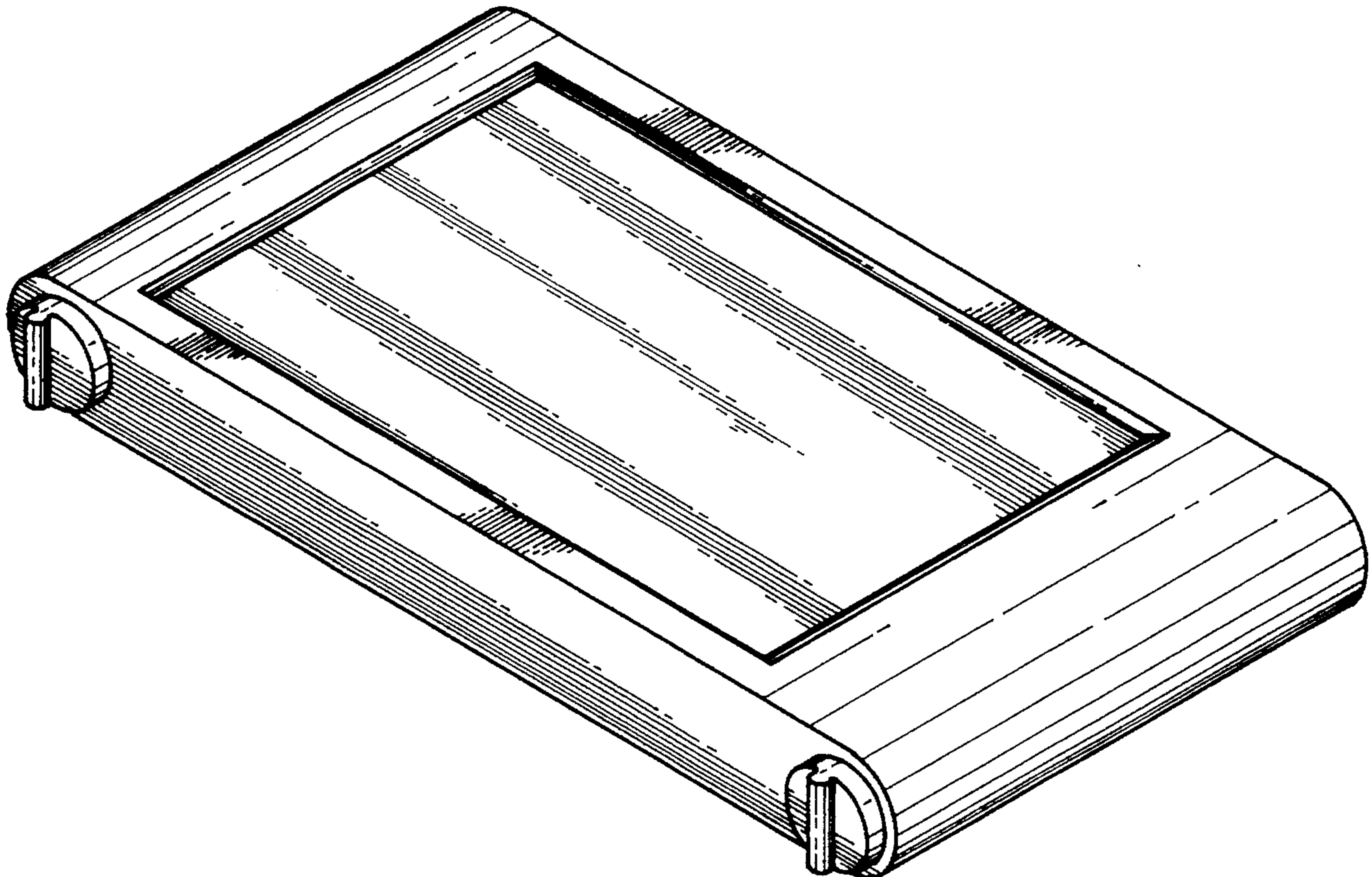
DESCRIPTION

U.S. PATENT DOCUMENTS

D. 141,267	5/1945	Norris	D19/20
D. 240,918	8/1976	Tvengsberg	D19/20
D. 243,453	2/1977	Friedland	D19/20
D. 270,356	8/1983	Beltrami	D19/22 X
D. 321,174	10/1991	Tsuchiga	D14/100
D. 337,569	7/1993	Kando	D14/100
2,488,007	11/1949	Dovitch	281/45
2,500,468	3/1950	Postell	281/45
3,783,541	1/1974	Bowerman	

FIG. 1 is a front, top and side perspective view of the calendar holder showing my new design;
FIG. 2 is a front elevational view thereof;
FIG. 3 is a rear elevational view thereof;
FIG. 4 is a side elevational view thereof, the side opposite being a mirror image of the side shown in FIG. 4;
FIG. 5 is a top plan view thereof; and,
FIG. 6 is a bottom plan view thereof.

1 Claim, 3 Drawing Sheets



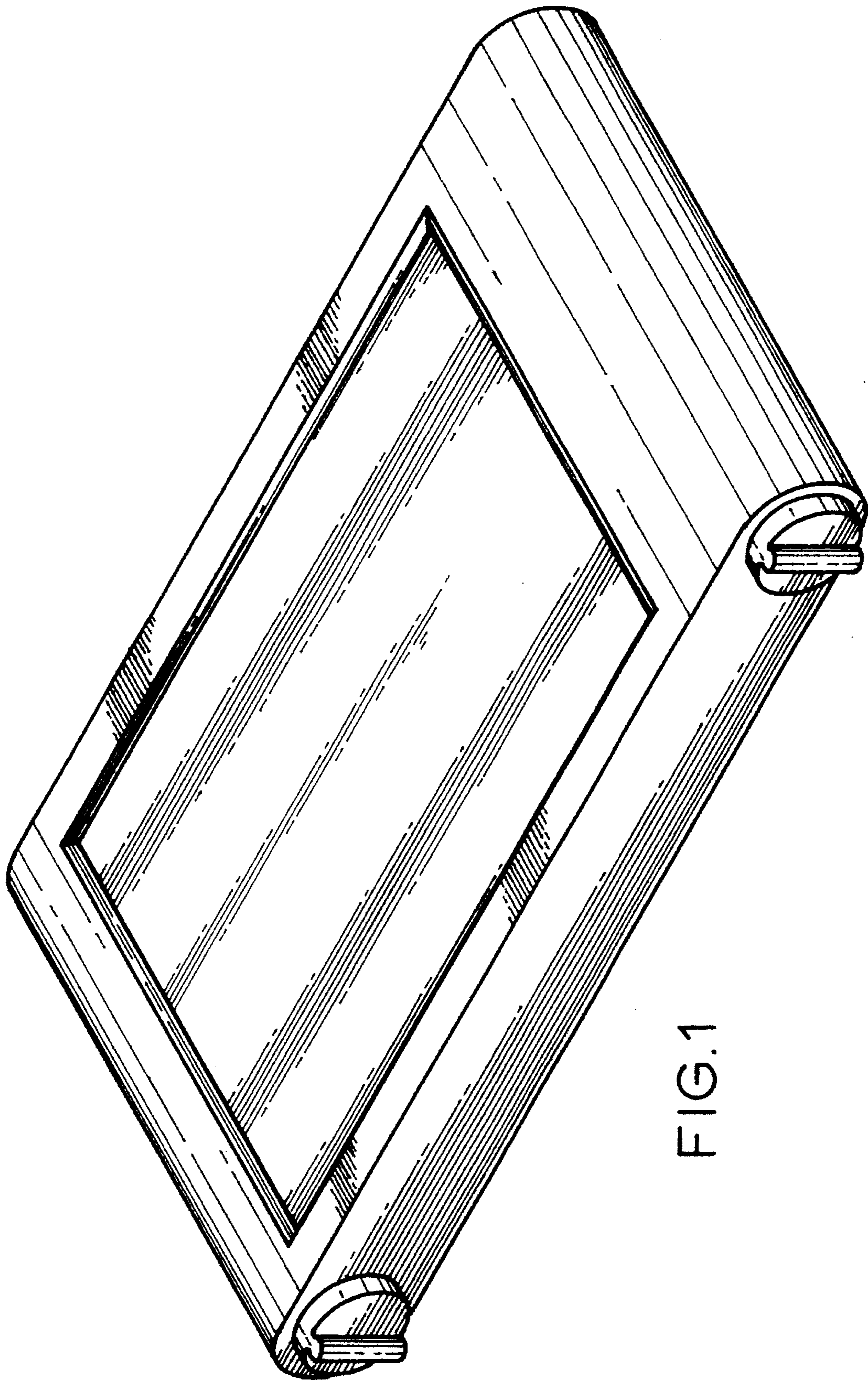


FIG.1

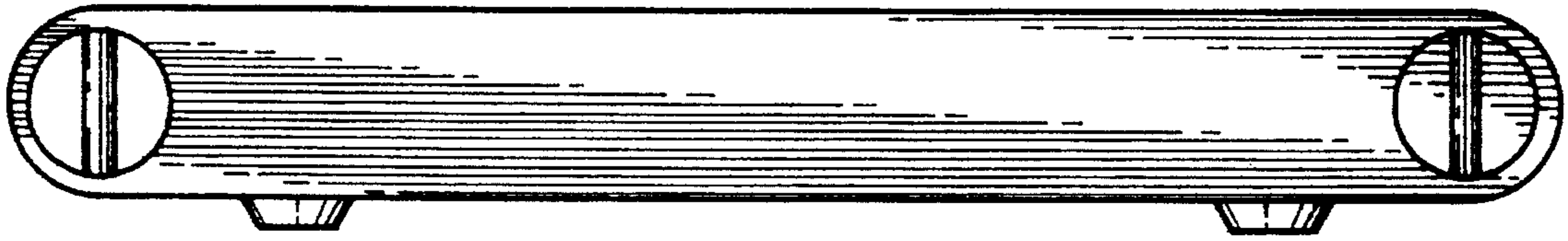


FIG. 2

FIG. 3

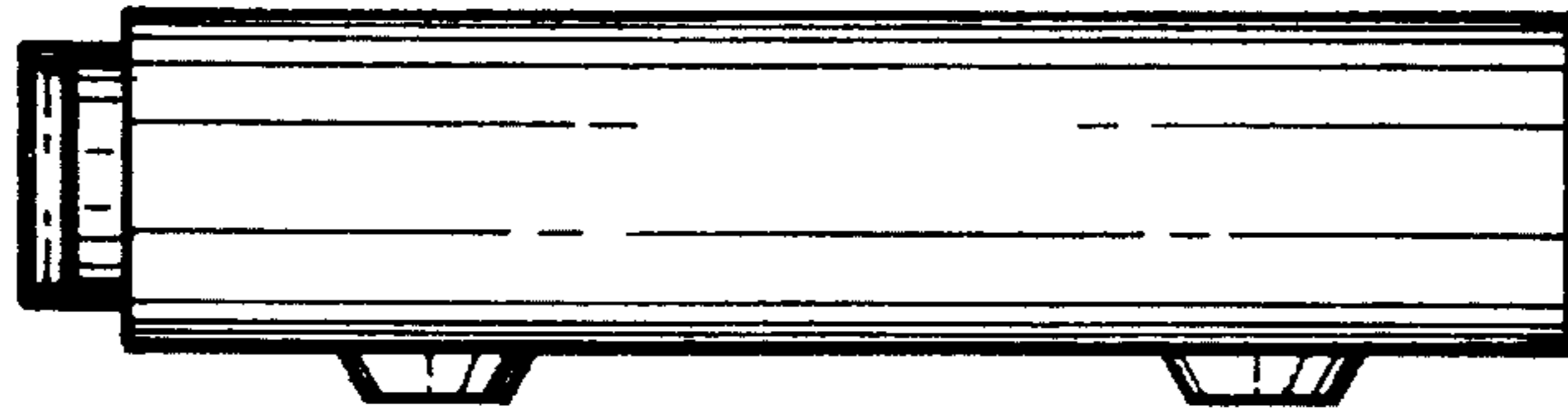
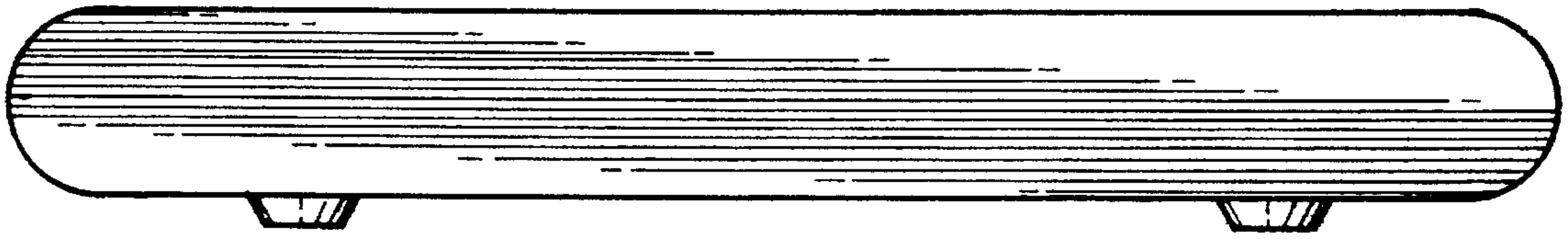


FIG. 4

FIG. 6

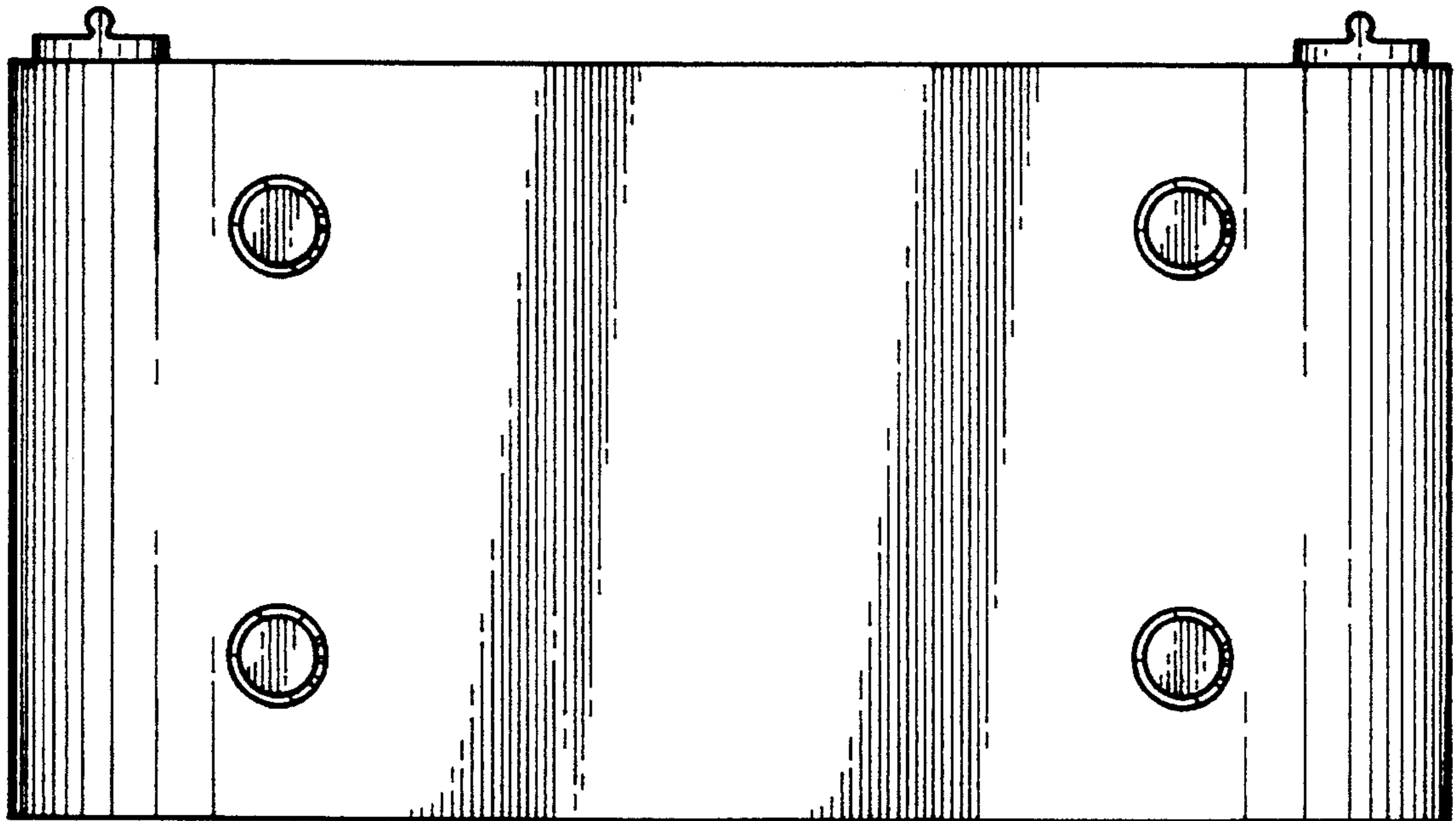


FIG. 5

