



US00D371380S

# United States Patent [19]

Nelson et al.

[11] Patent Number: **Des. 371,380**

[45] Date of Patent: **\*\*Jul. 2, 1996**

[54] **DRY SILVER FILM PROCESSOR**

[75] Inventors: **Bruce E. Nelson**, Minneapolis; **James A. Wilson**, North St. Paul, both of Minn.; **Curtis D. Ronnander**, Woodville, Wis.; **Larry D. Humlicek**, Ham Lake; **James R. Preston**, Minneapolis, both of Minn.; **Robert M. Biegler**, Woodbury, Wis.; **Steven W. Sorensen**, Maplewood, Minn.

[73] Assignee: **Minnesota Mining and Manufacturing Company**, St. Paul, Minn.

[\*\*] Term: **14 Years**

[21] Appl. No.: **31,322**

[22] Filed: **Nov. 22, 1994**

[52] U.S. Cl. .... **D16/247; D18/36**

[58] Field of Search ..... **D16/237, 246, D16/247; D18/36-39; D24/158; 354/299, 300; 219/216, 388; 355/27**

[56] **References Cited**

**U.S. PATENT DOCUMENTS**

D. 216,016 11/1969 Waligorski ..... D14/107

D. 233,843	12/1974	Plumb .....	D14/118
D. 273,872	5/1984	Schlagheck et al. ....	D16/247
D. 314,008	1/1991	Takahashi et al. ....	D18/36
D. 318,479	7/1991	Nishiseko et al. ....	D16/246
4,322,158	3/1982	Frias et al. ....	219/216
4,723,151	2/1988	Sonezaki et al. ....	355/27

*Primary Examiner*—Ted Shooman  
*Assistant Examiner*—Adir Aronovich  
*Attorney, Agent, or Firm*—Gary L. Griswold; Walter N. Kirm; William D. Bauer

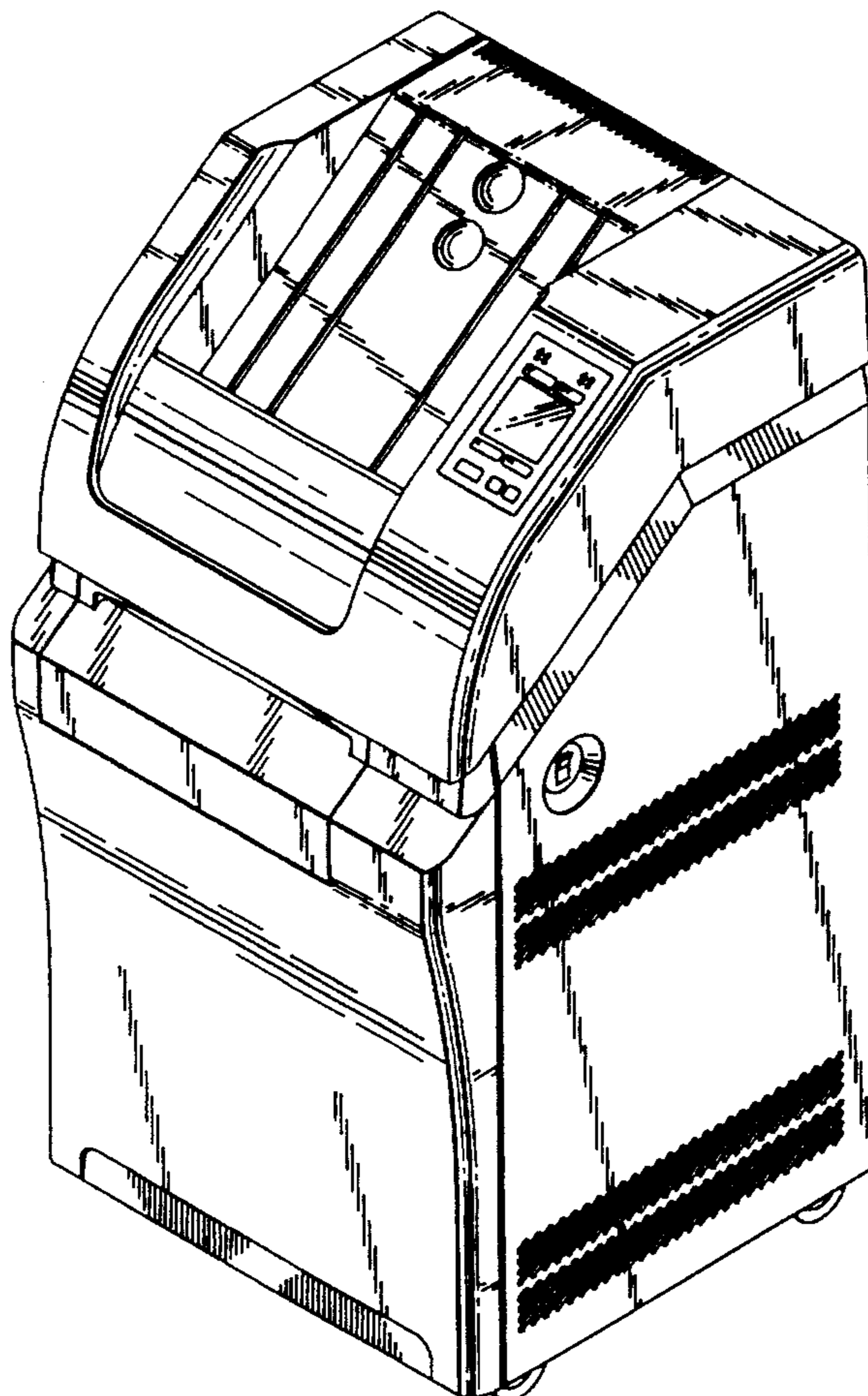
[57] **CLAIM**

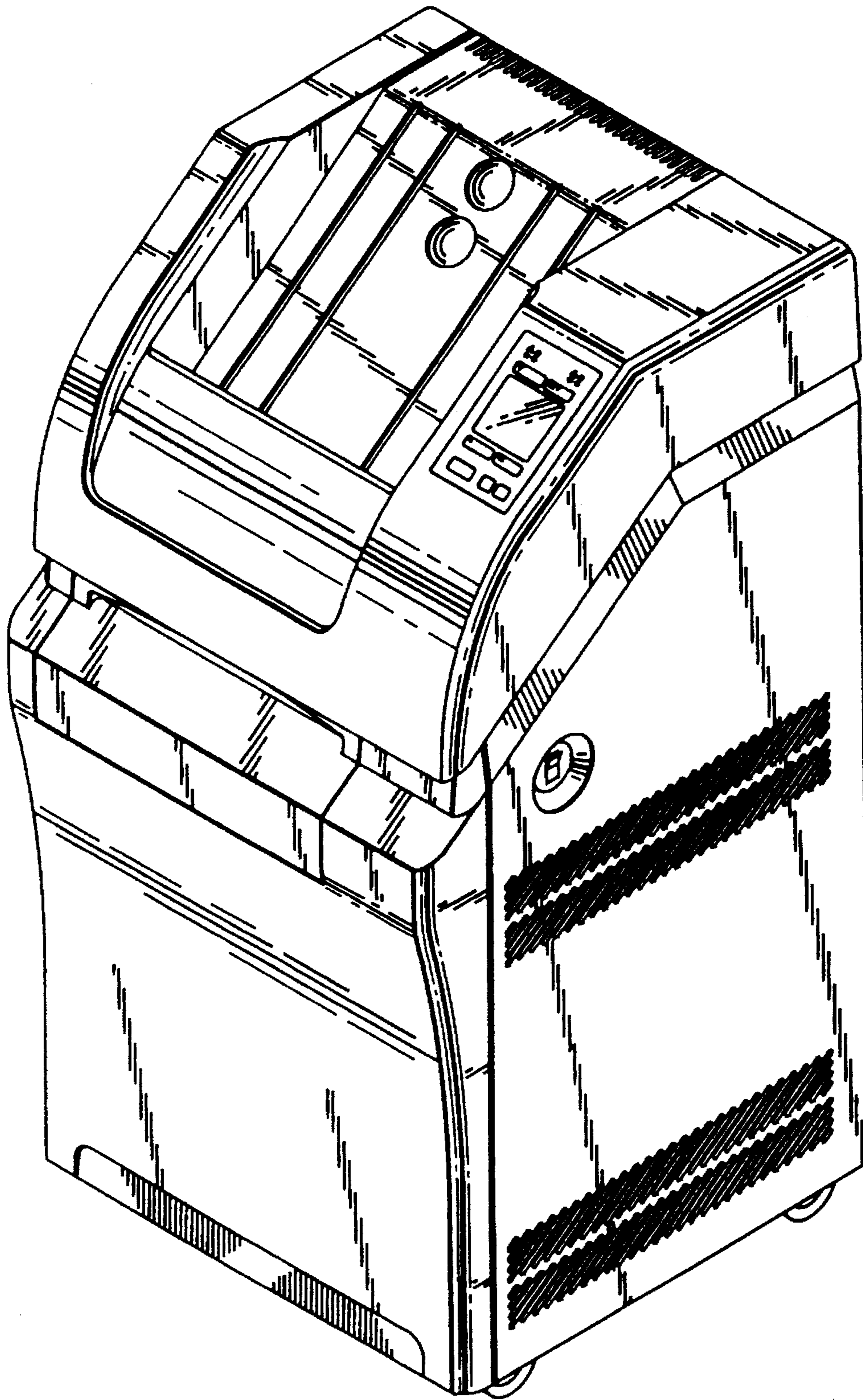
The ornamental design for a dry silver film processor, as shown and described.

**DESCRIPTION**

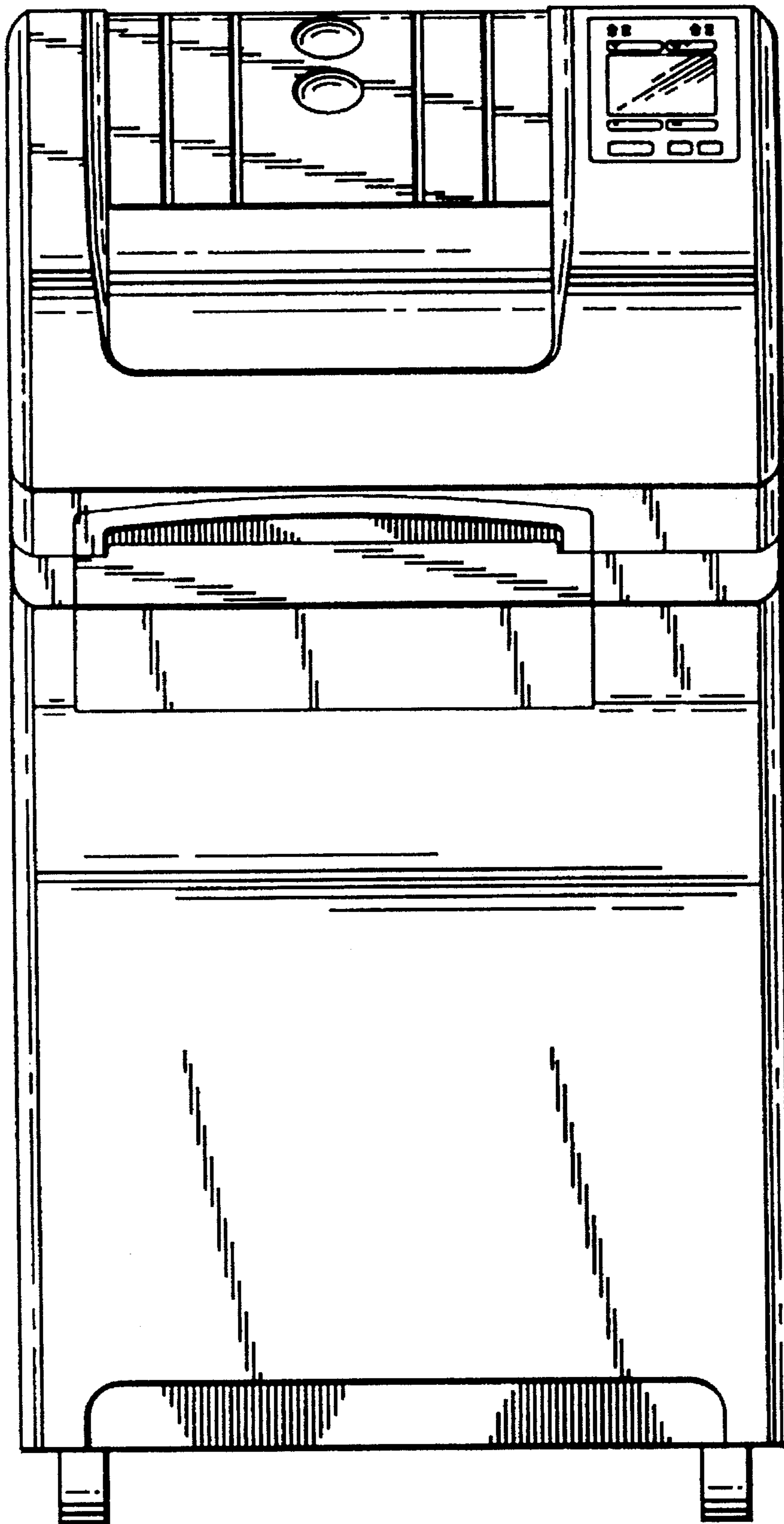
FIG. 1 is an isometric view of a dry silver film processor showing our new design;  
FIG. 2 is a front elevational view thereof;  
FIG. 3 is a rear elevational view thereof;  
FIG. 4 is a right side elevational view thereof;  
FIG. 5 is a left side elevational view thereof;  
FIG. 6 is a top plan view thereof; and,  
FIG. 7 is a bottom view thereof.

**1 Claim, 6 Drawing Sheets**

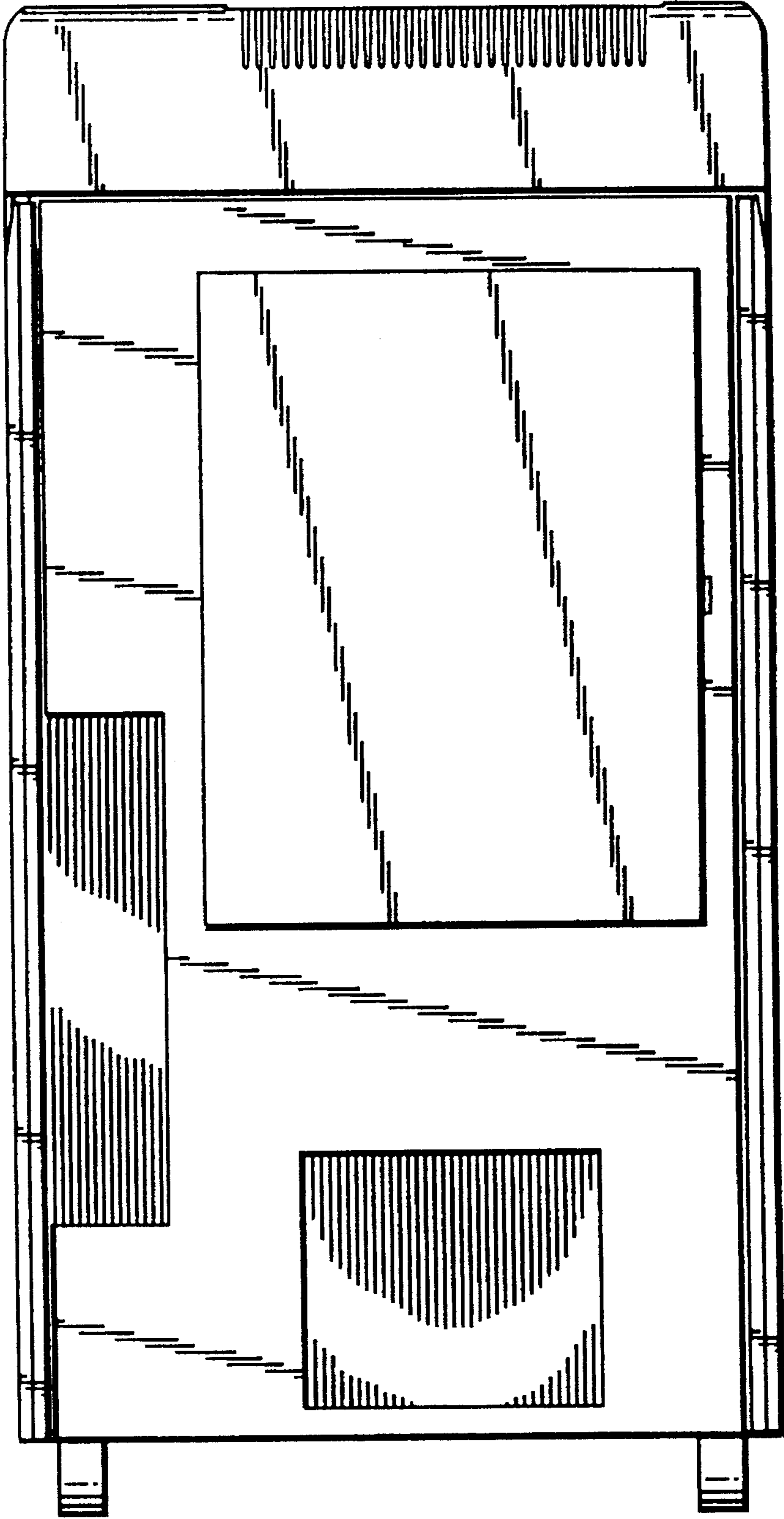




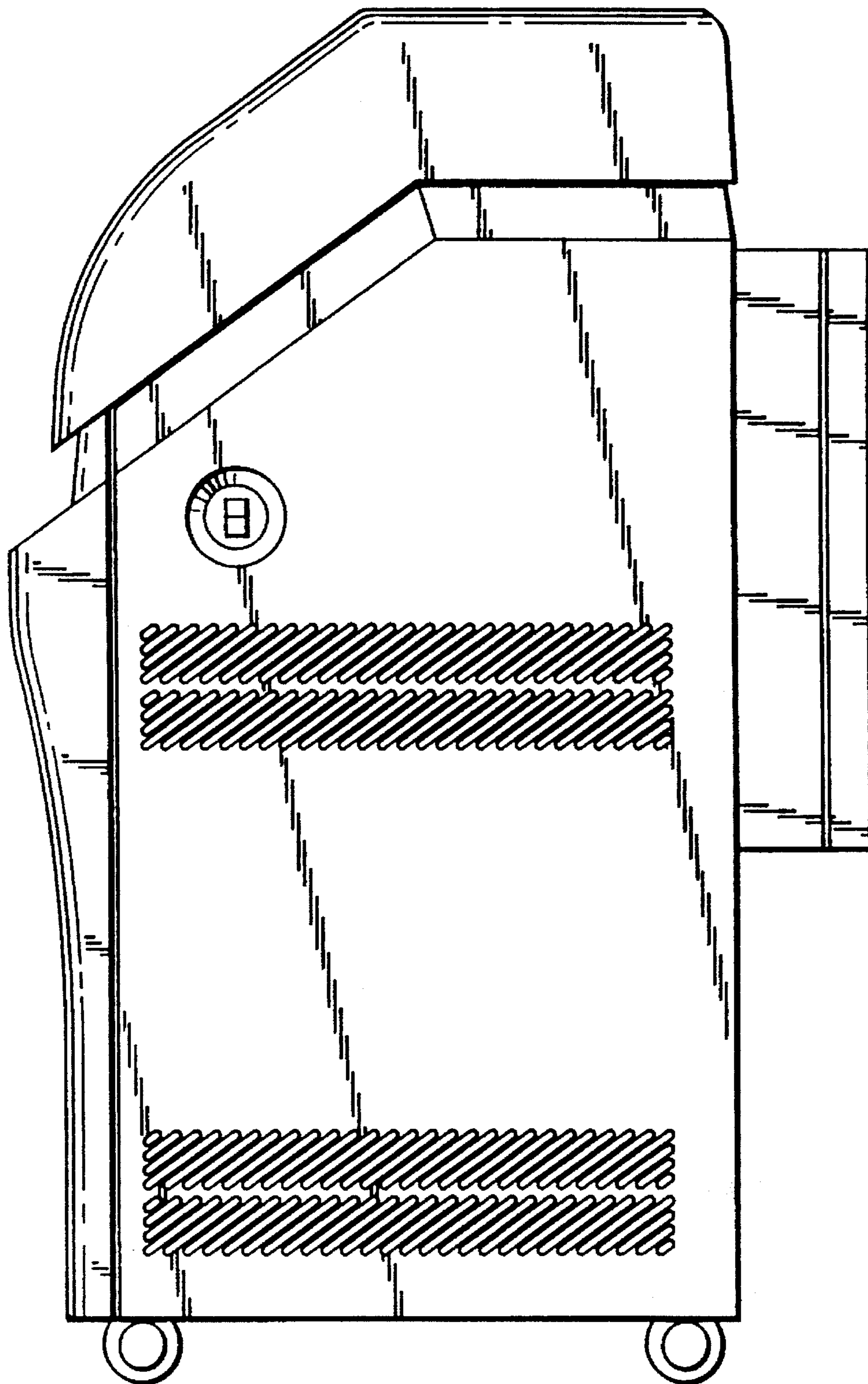
**Fig. 1**



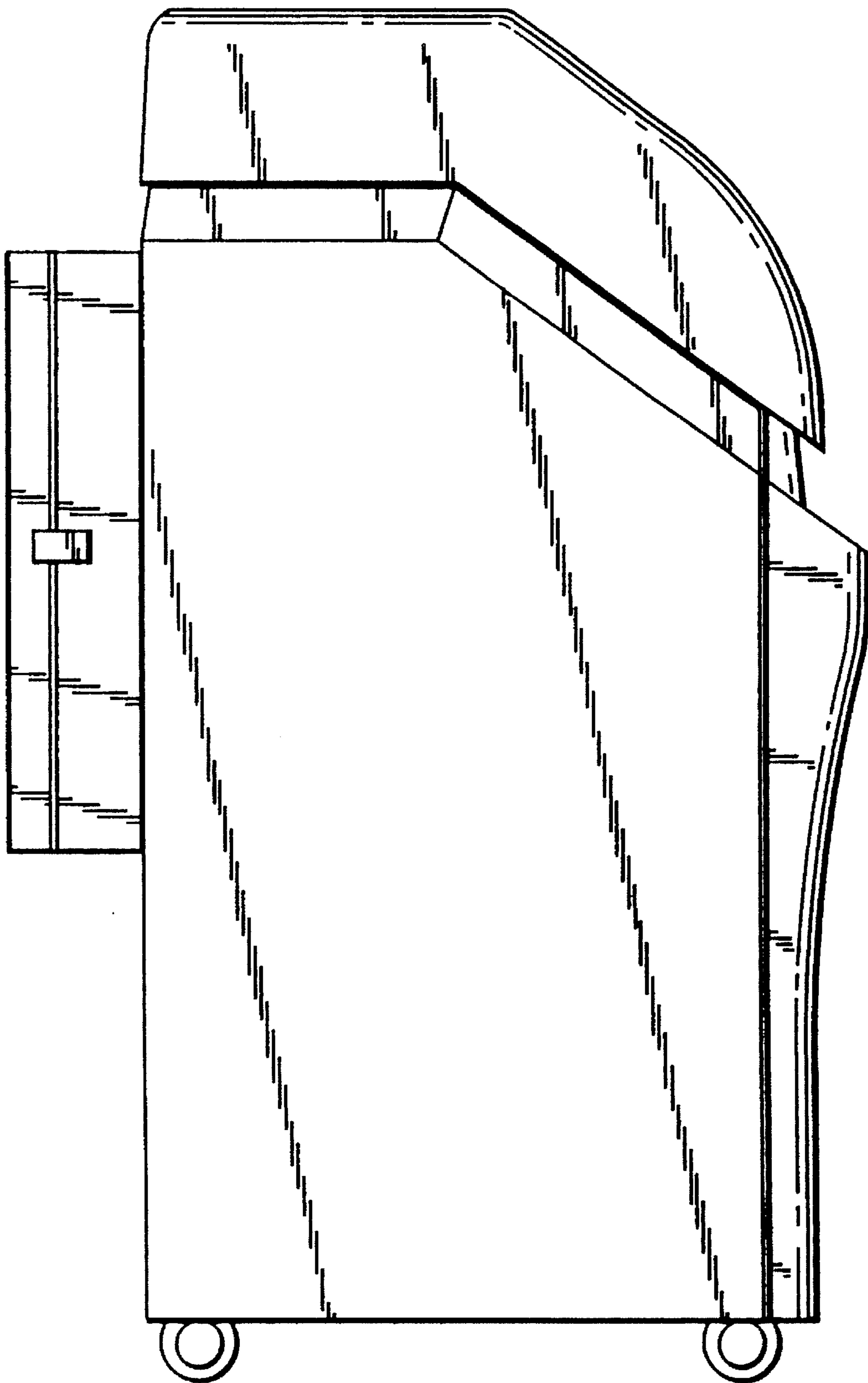
**Fig. 2**



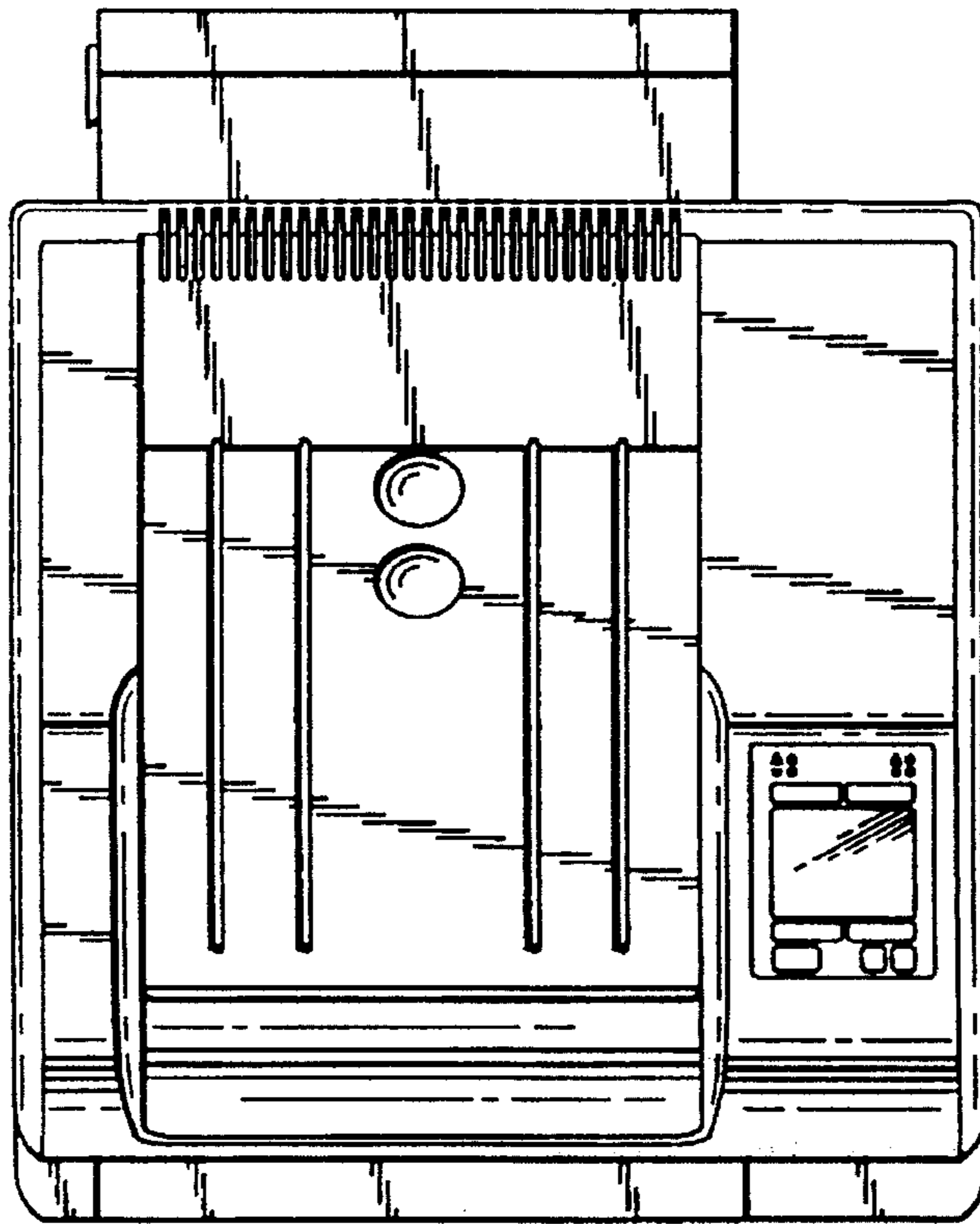
**Fig. 3**



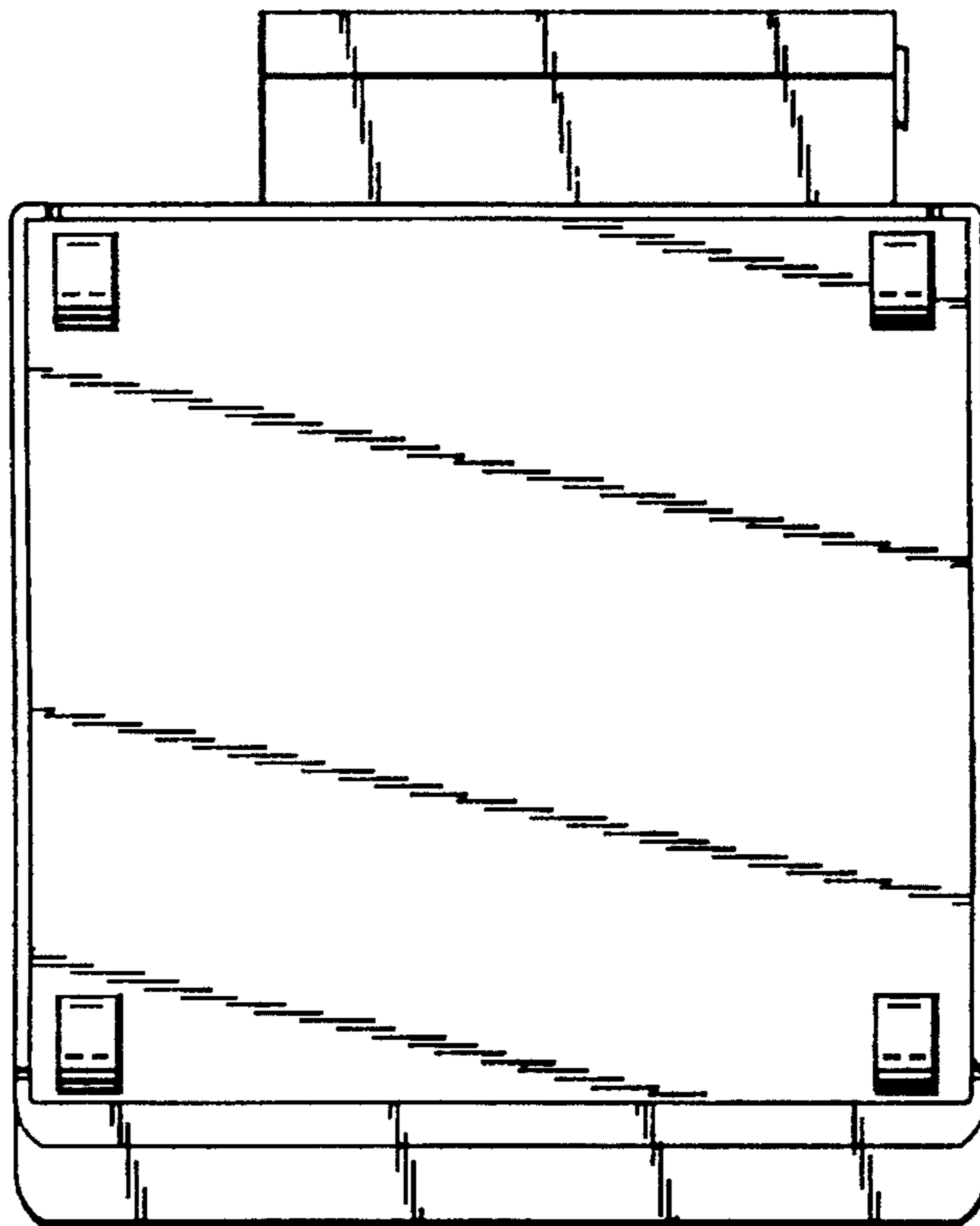
**Fig. 4**



**Fig. 5**



**Fig. 6**



**Fig. 7**