



US00D371379S

United States Patent [19]
Goshima

[11] **Patent Number: Des. 371,379**
[45] **Date of Patent: **Jul. 2, 1996**

[54] **ELECTRONIC STILL CAMERA**

[75] Inventor: **Hiroshi Goshima**, Kawasaki, Japan
[73] Assignee: **Kabushiki Kaisha Toshiba**, Kawasaki, Japan
[**] Term: **14 Years**

[21] Appl. No.: **41,044**
[22] Filed: **Jul. 3, 1995**

[30] **Foreign Application Priority Data**
Mar. 6, 1995 [JP] Japan 7-6039
[52] **U.S. Cl.** **D16/202; D16/213**
[58] **Field of Search** D16/200-205,
D16/208, 209, 212, 213; 354/82, 288; 348/373-376;
358/906, 909.1

[56] **References Cited**

U.S. PATENT DOCUMENTS

D. 241,168	8/1976	Woodring et al.	D16/213
D. 244,021	4/1977	Miller et al.	D16/212
D. 246,717	12/1977	Ooya	D16/213
D. 340,732	10/1993	Sano et al.	D16/202
5,014,136	5/1991	Sakai et al.	358/906

FOREIGN PATENT DOCUMENTS

865398	3/1993	Japan .
865350	3/1993	Japan .
864578	3/1993	Japan .
896618	4/1994	Japan .

Primary Examiner—Ted Shooman
Assistant Examiner—Adir Aronovich
Attorney, Agent, or Firm—Oblon, Spivak, McClelland, Maier & Neustadt

[57] **CLAIM**

The ornamental design for an electronic still camera, as shown.

DESCRIPTION

FIG. 1 is a front, top and left side perspective view of an electronic still camera, showing my new design; FIG. 2 is a front elevational view thereof; FIG. 3 is a top plan view thereof; FIG. 4 is a left side elevational view thereof; FIG. 5 is a right side elevational view thereof; FIG. 6 is a rear elevational view thereof; and, FIG. 7 is a bottom plan view thereof.

1 Claim, 2 Drawing Sheets

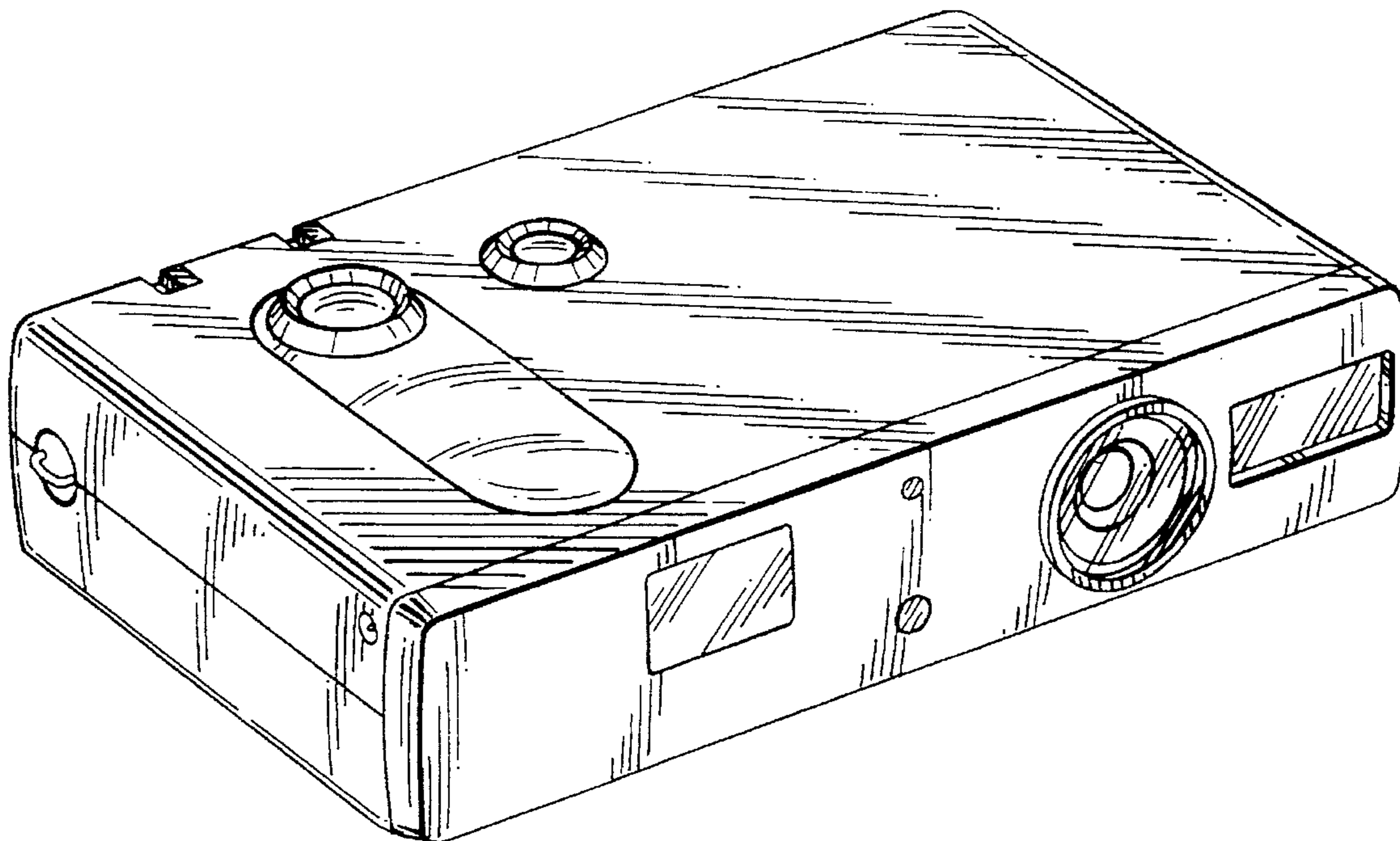


FIG. 1

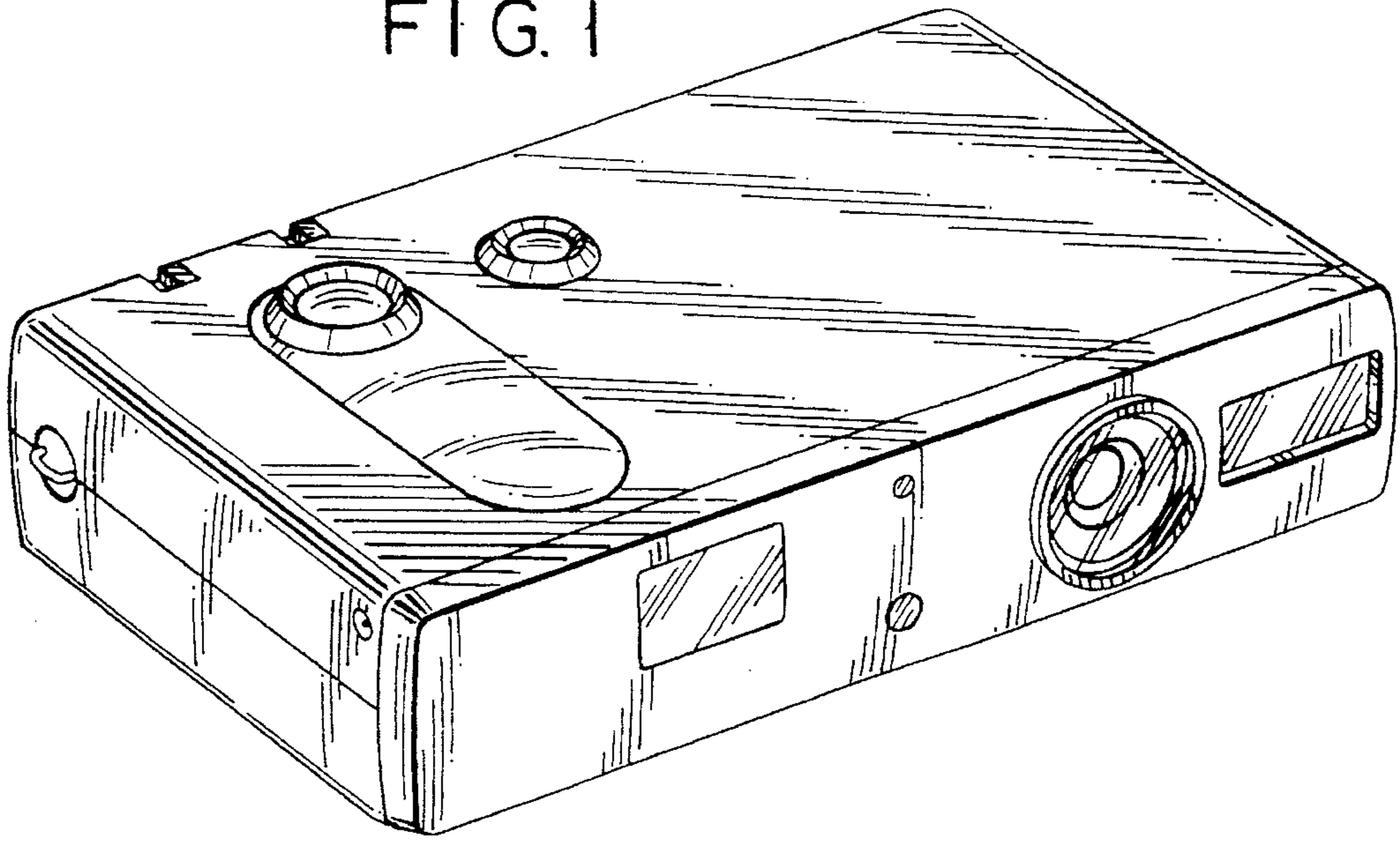


FIG. 2

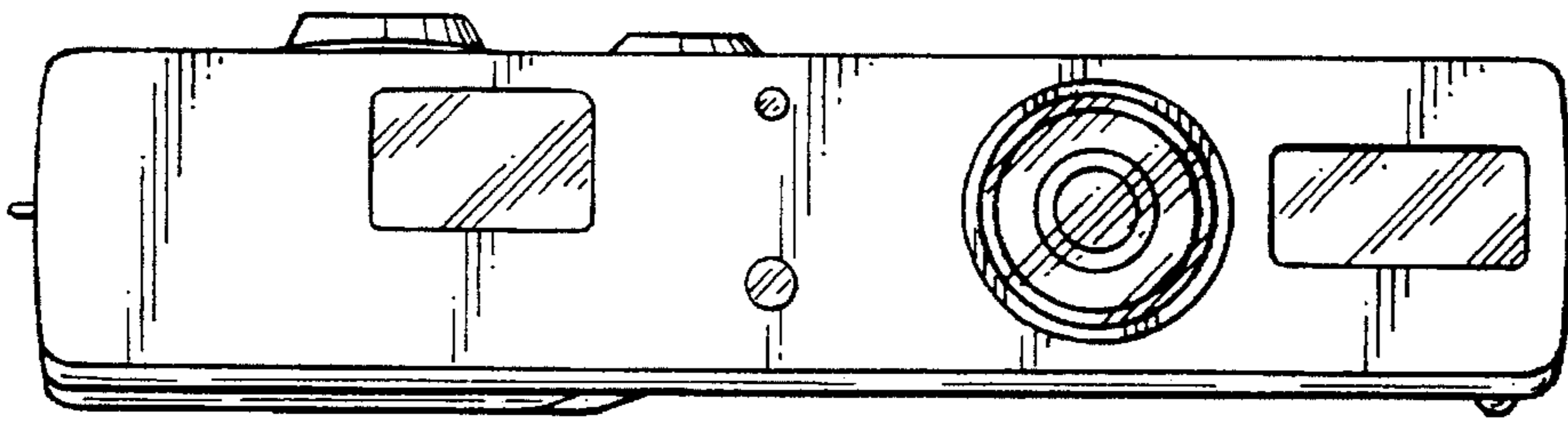


FIG. 3

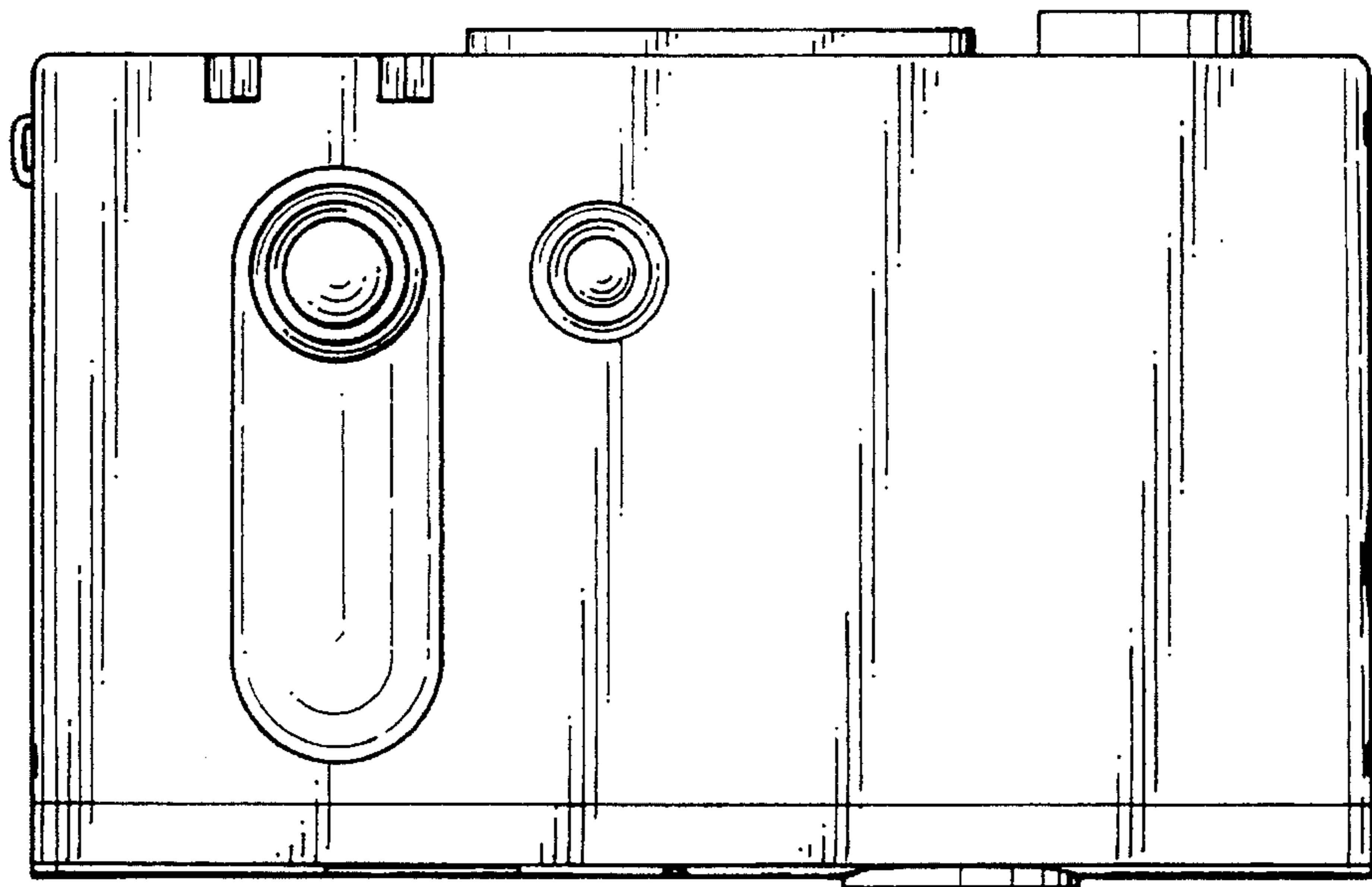


FIG. 4

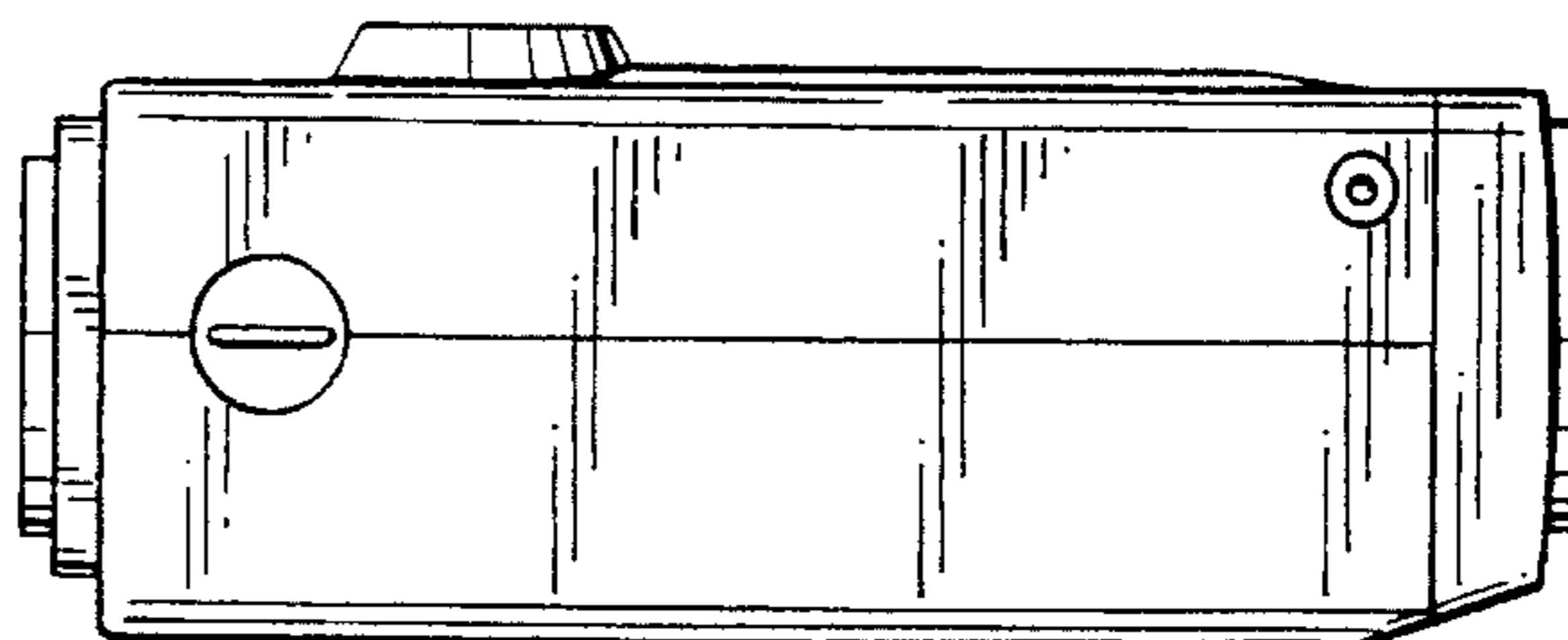


FIG. 5

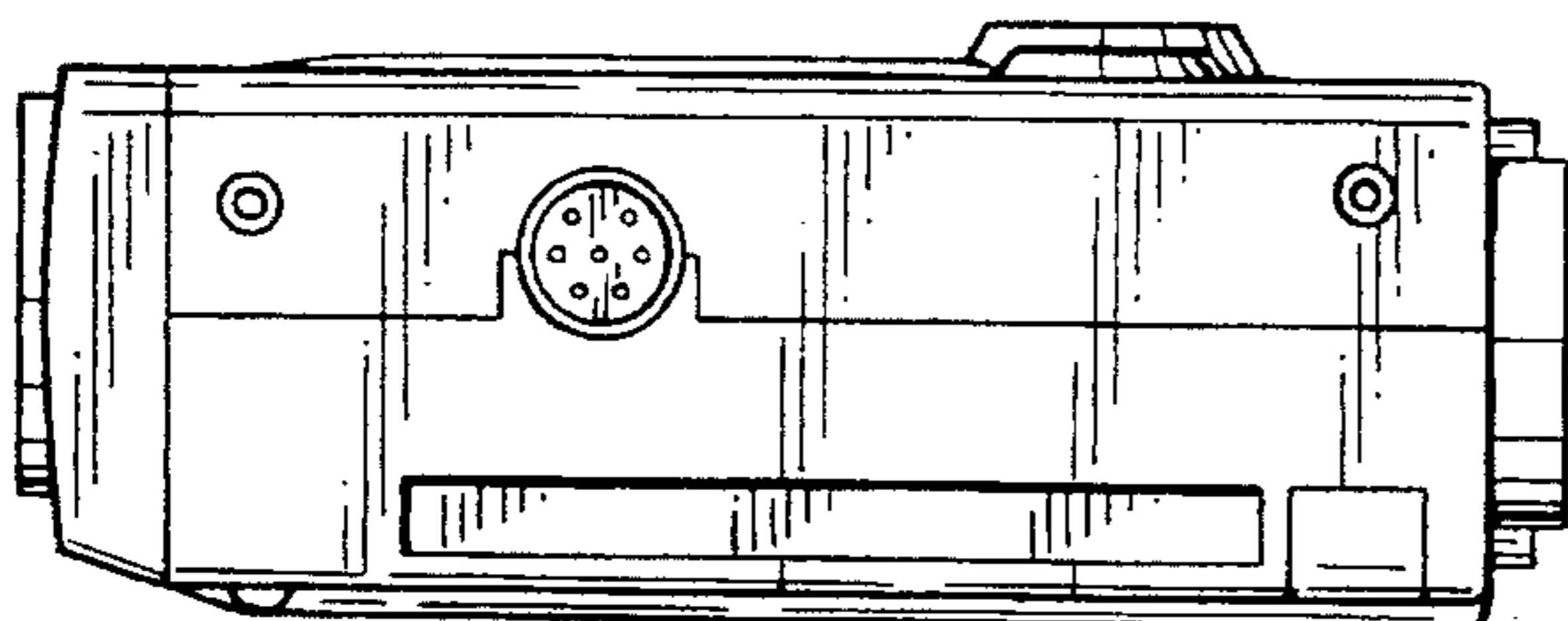


FIG. 6

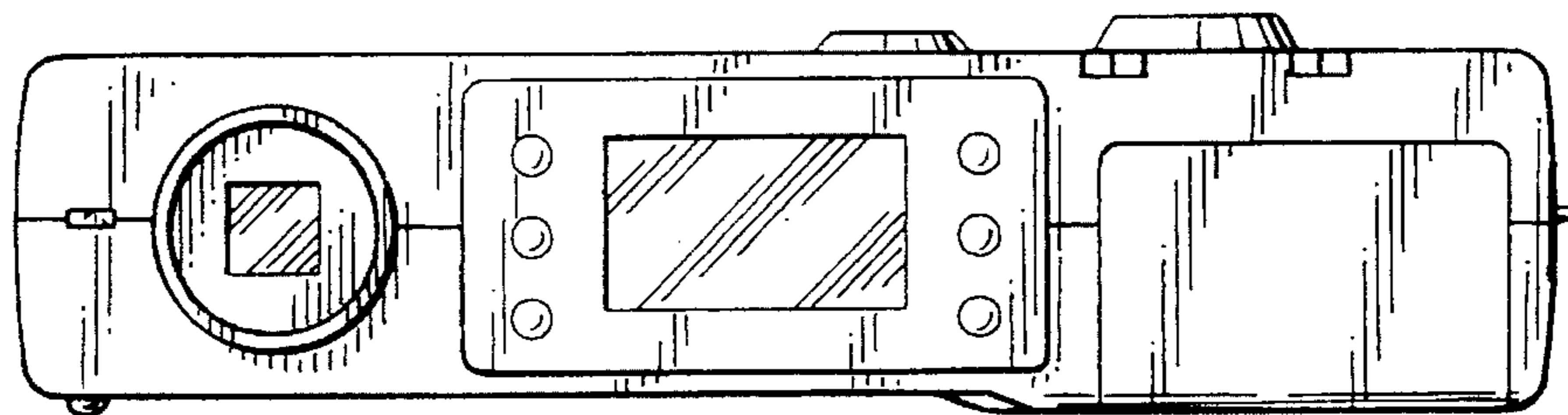


FIG. 7

