



US00D371378S

United States Patent [19]

Goto

[11] Patent Number: **Des. 371,378**

[45] Date of Patent: ****Jul. 2, 1996**

[54] VIDEO CAMERA WITH VIDEO TAPE RECORDER

[75] Inventor: **Masaaki Goto**, Ehime, Japan

[73] Assignee: **Matsushita Electric Industrial Co., Ltd.**, Osaka, Japan

[**] Term: **14 Years**

[21] Appl. No.: **40,731**

[22] Filed: **Jun. 26, 1995**

[30] Foreign Application Priority Data

Dec. 28, 1994 [JP] Japan 6-39931 U

[52] U.S. Cl. **D16/202**

[58] Field of Search D16/200-206,
D16/208; 348/373-376, 143; 352/242, 243;
354/81, 82, 288; 358/906; H04N 5/225

[56] References Cited

U.S. PATENT DOCUMENTS

| | | | |
|------------|---------|--------------------|---------|
| D. 349,909 | 8/1994 | Mori et al. | D16/202 |
| D. 349,910 | 8/1994 | Takano et al. | D16/202 |
| D. 356,100 | 3/1995 | Mori et al. | D16/202 |
| D. 359,099 | 3/1995 | Jones et al. | D16/202 |
| D. 364,633 | 11/1995 | Goto et al. | D16/202 |
| 5,121,147 | 6/1992 | Wada et al. | 354/81 |

OTHER PUBLICATIONS

Camcorder, Dec. 1993 p. 52 (JVC's GR-AX75U).

Primary Examiner—Ted Shooman

Assistant Examiner—Adir Aronovich

Attorney, Agent, or Firm—Sughrue, Mion, Zinn, Macpeak & Seas

[57] CLAIM

The ornamental design for a video camera with video tape recorder, as shown.

DESCRIPTION

FIG. 1 is a perspective view of the front, top and right side of a video camera with video tape recorder showing my new design;

FIG. 2 is a perspective view of the rear, top and left side thereof;

FIG. 3 is a front elevational view thereof;

FIG. 4 is a rear elevational view thereof;

FIG. 5 is a top plan view thereof;

FIG. 6 is a bottom plan view thereof;

FIG. 7 is a right side elevational view thereof;

FIG. 8 is a left side elevational view thereof; and,

FIG. 9 is a perspective view similar to FIG. 2 with the eye piece pivoted to an inoperative position.

1 Claim, 3 Drawing Sheets

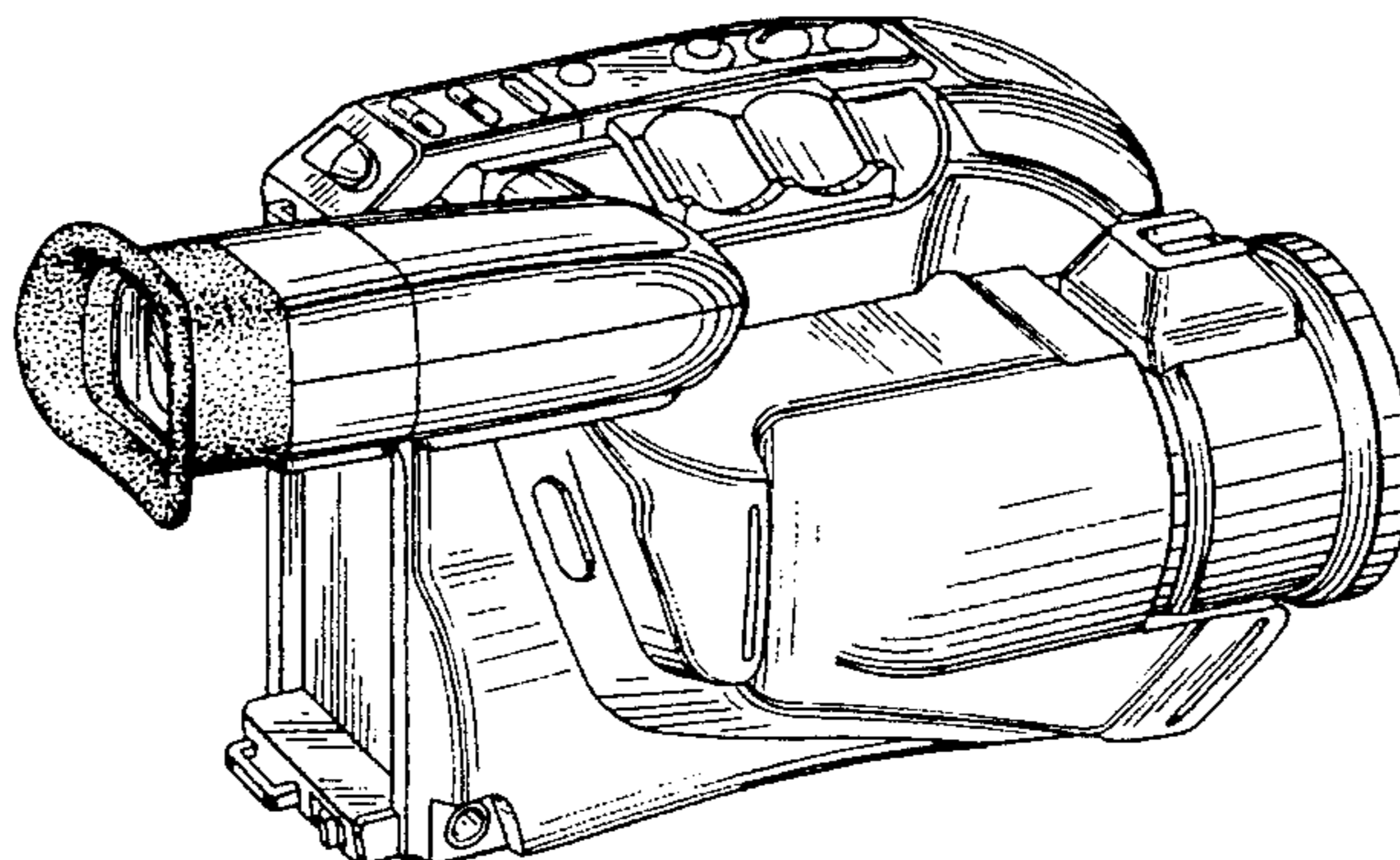
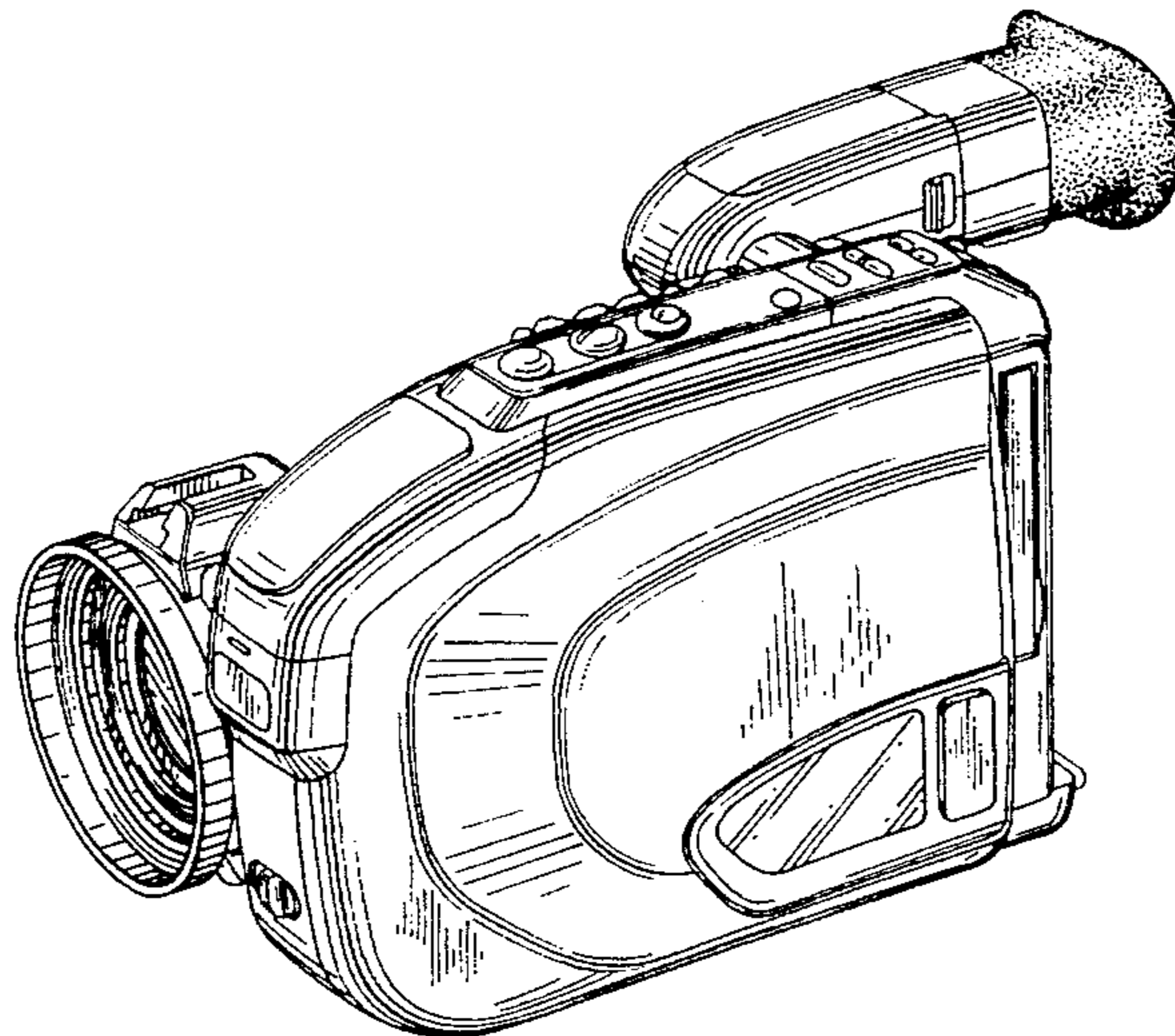


FIG. 1

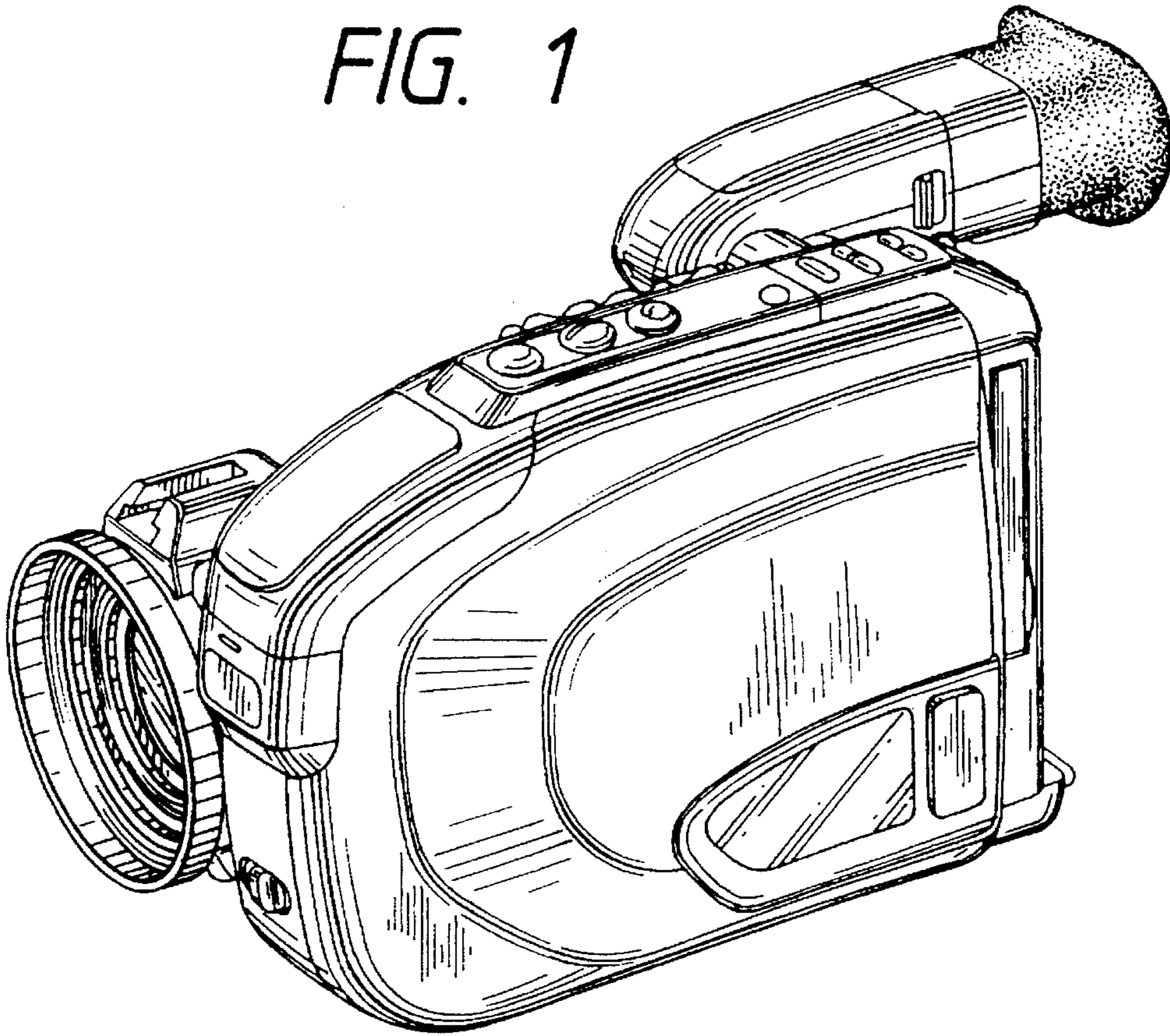


FIG. 2

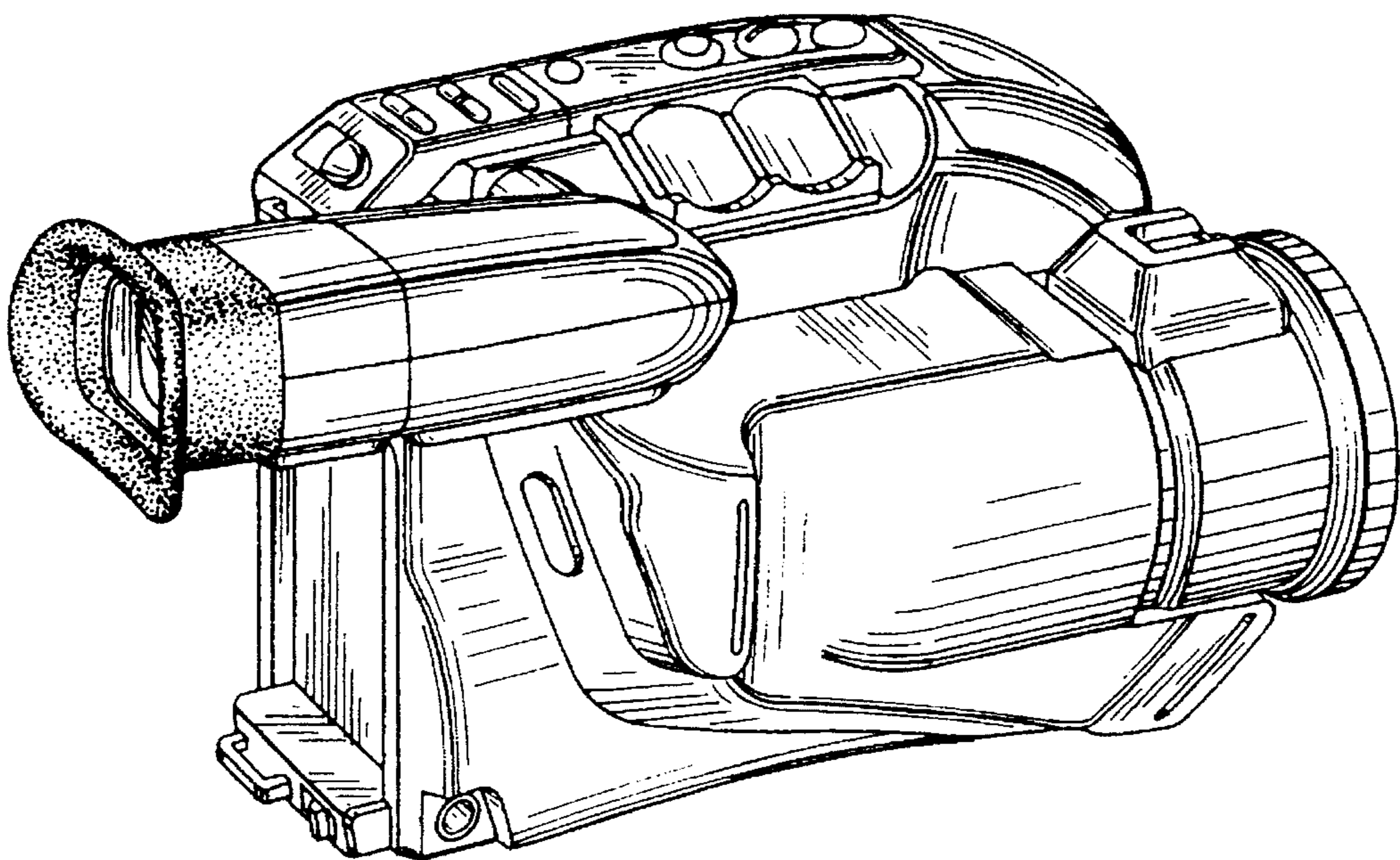


FIG. 3

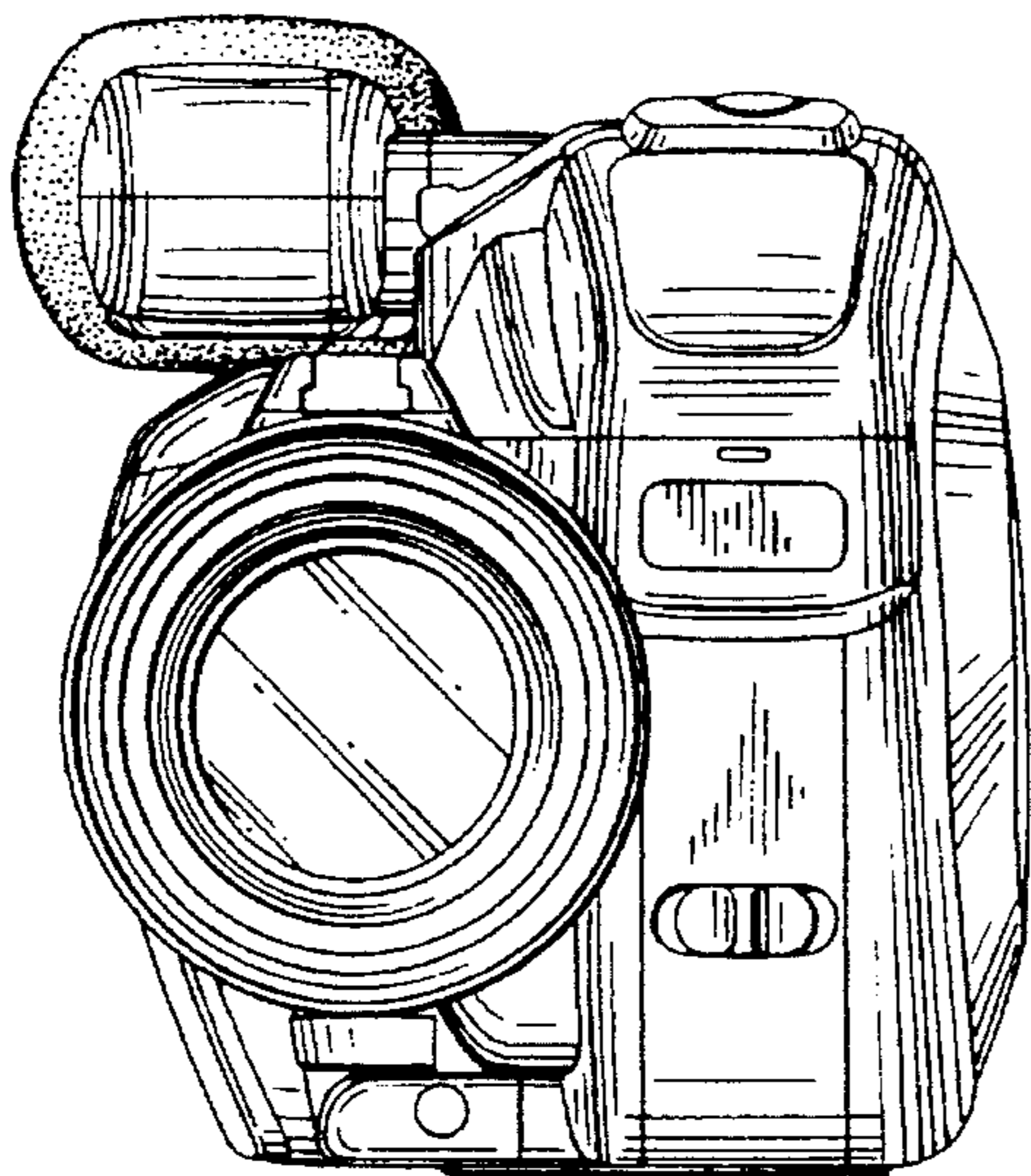


FIG. 4

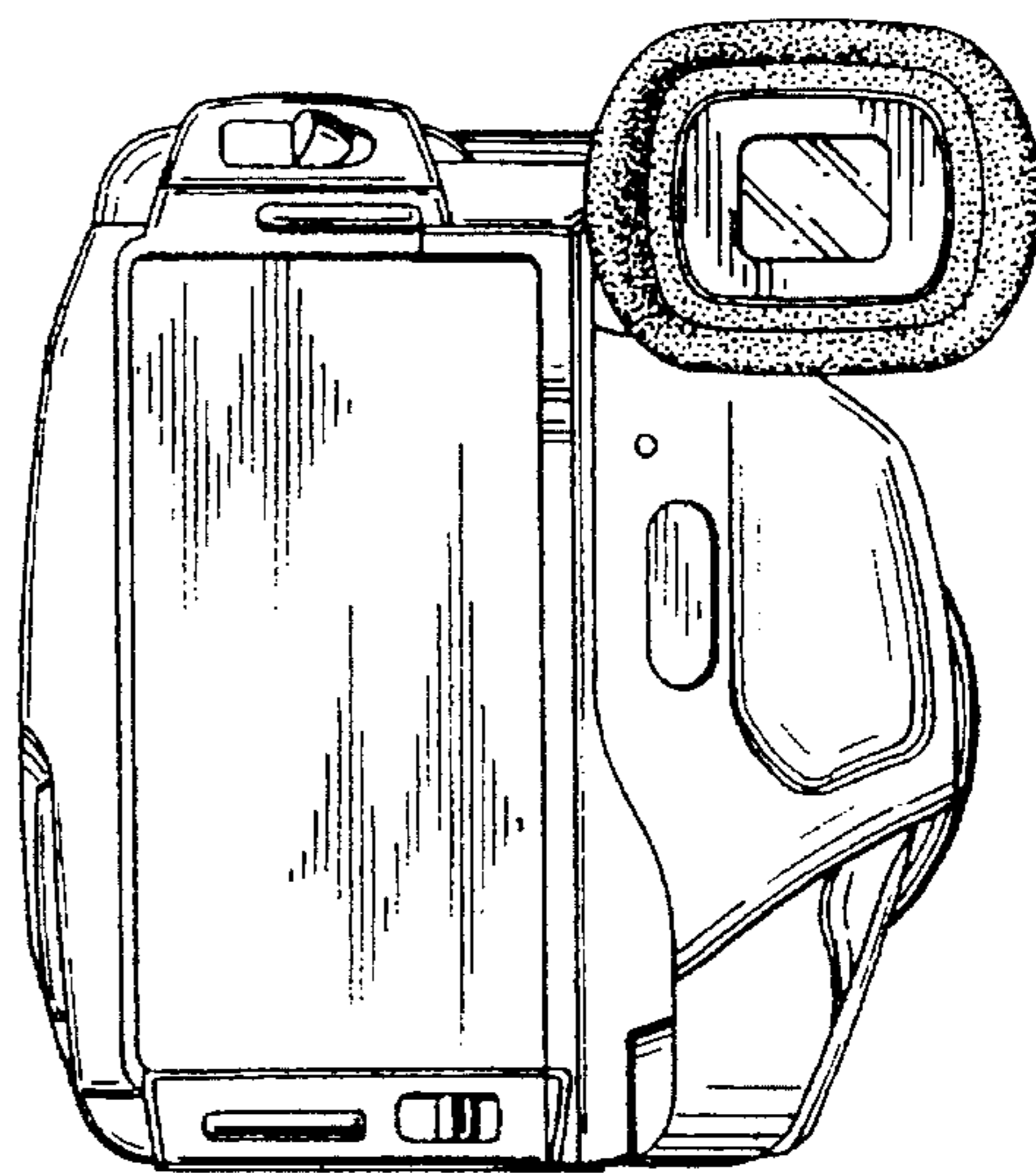


FIG. 5

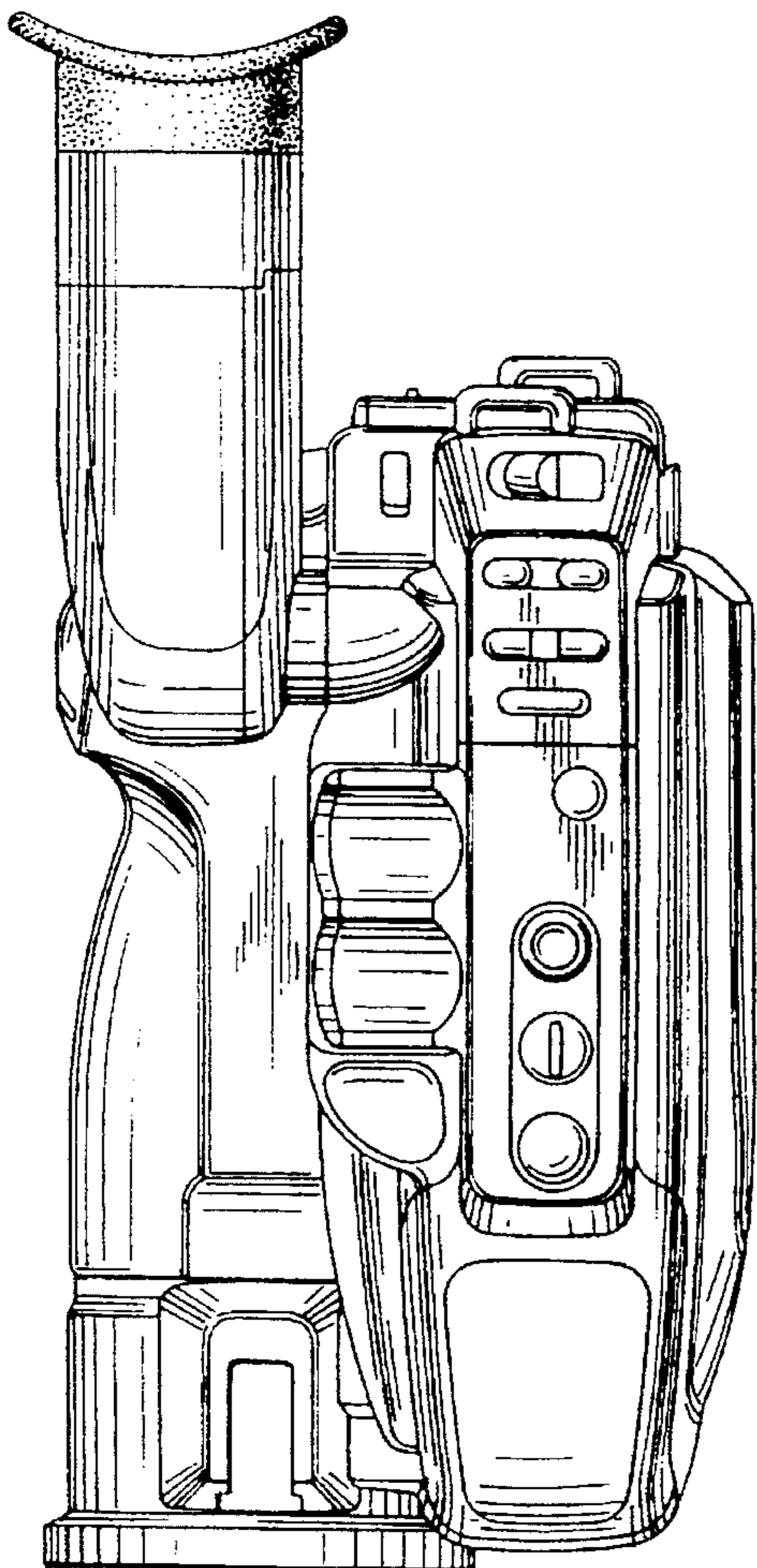


FIG. 6

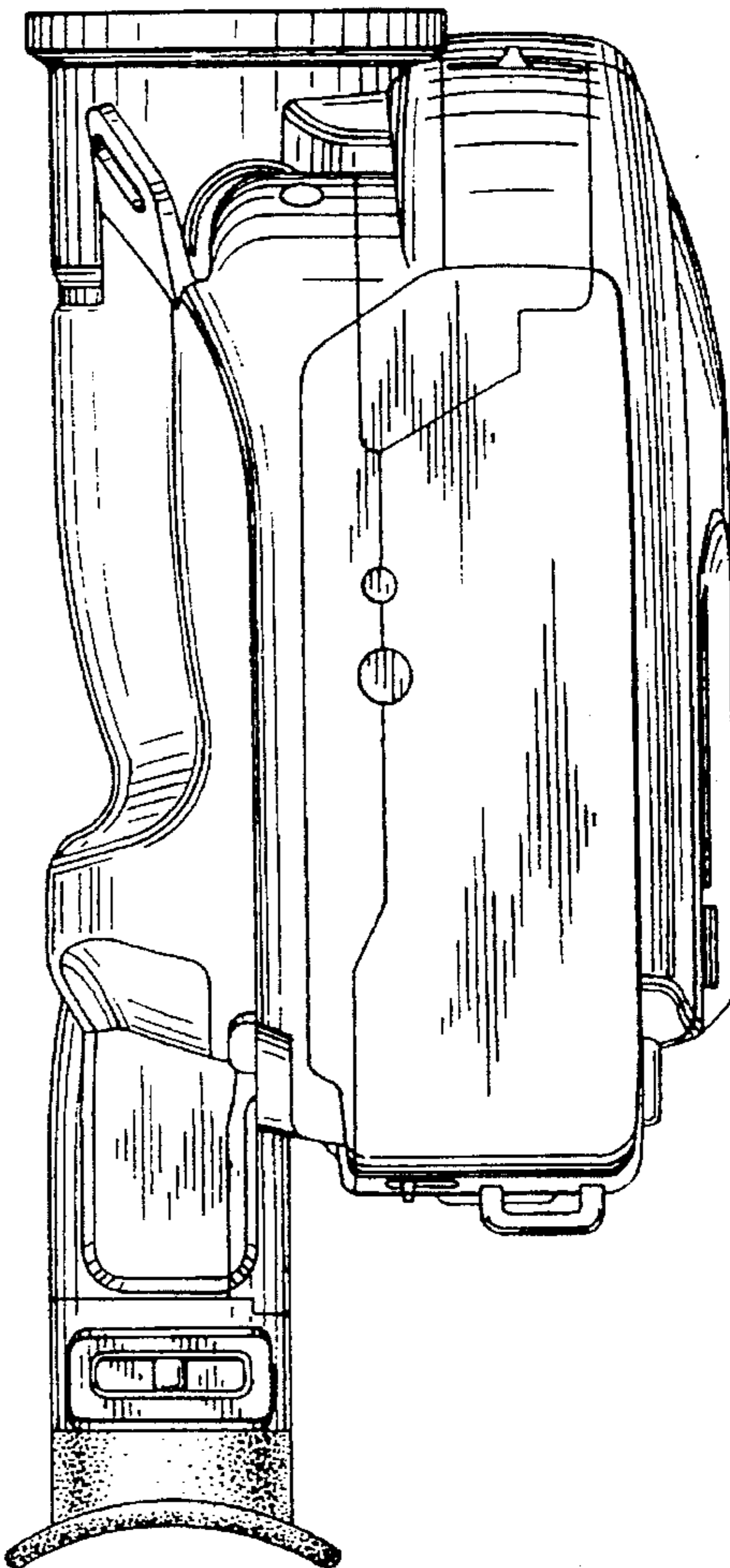


FIG. 7

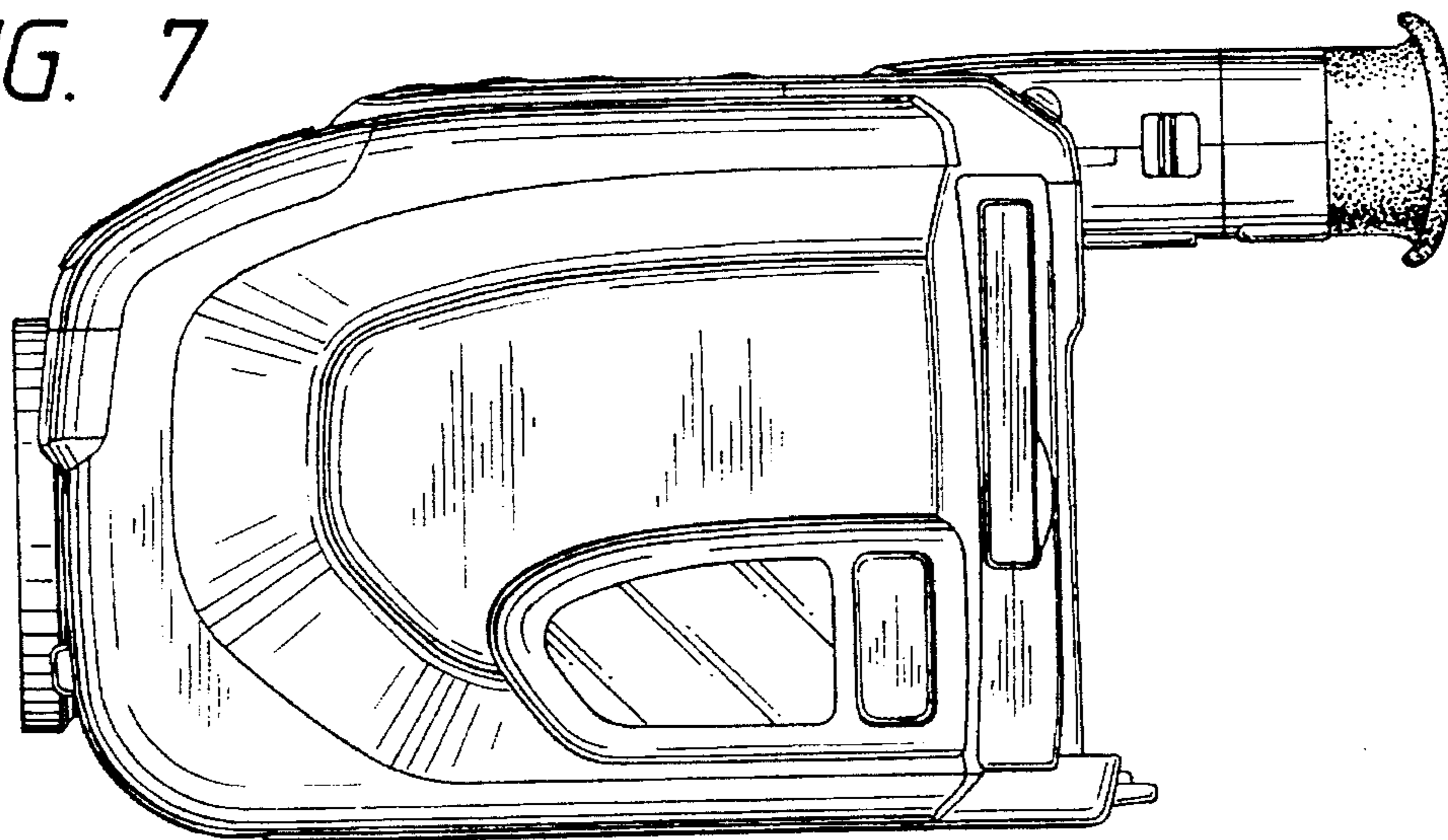


FIG. 8

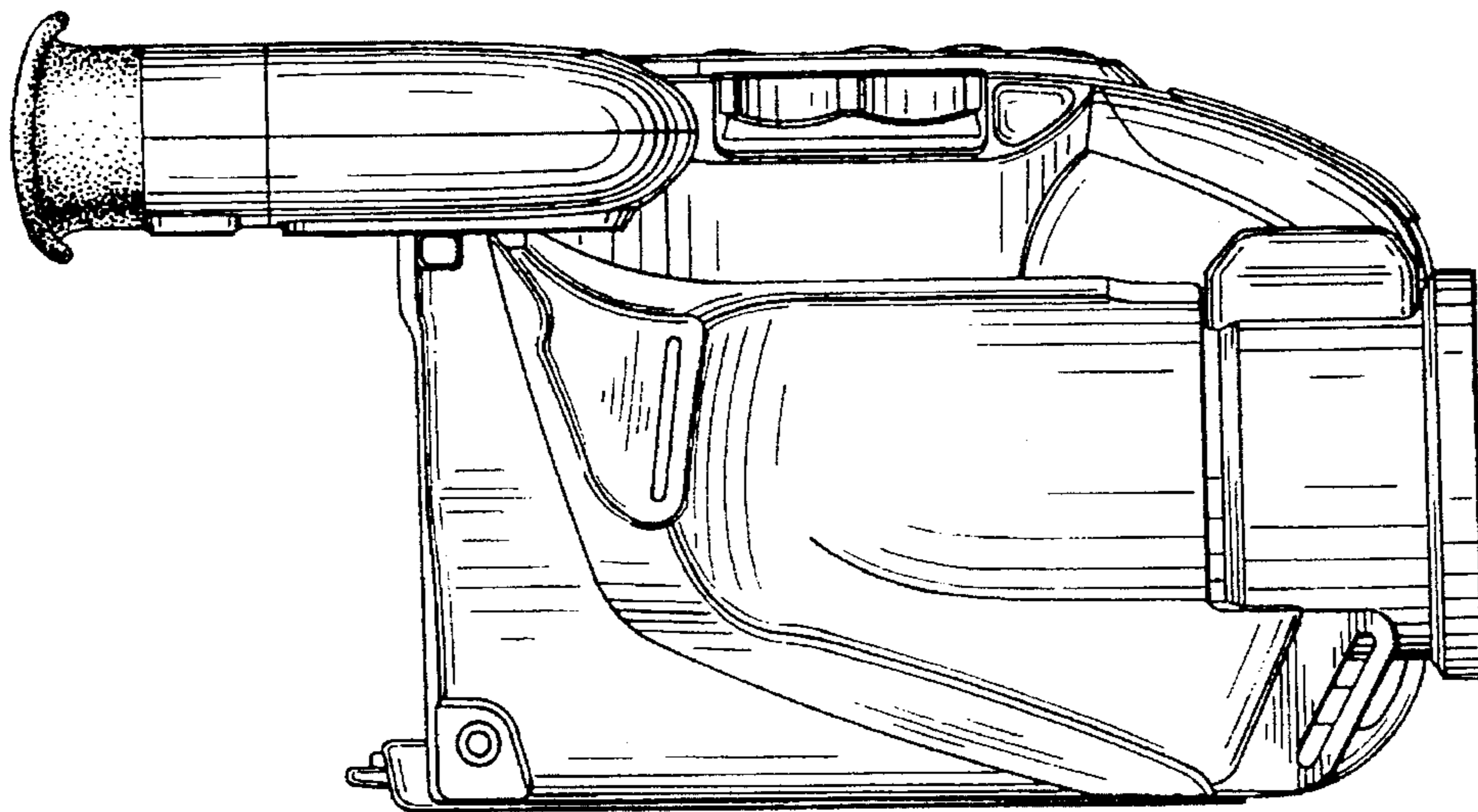


FIG. 9

