



US00D371376S

United States Patent [19]

Johnson, Jr.

[11] Patent Number: **Des. 371,376**

[45] Date of Patent: ****Jul. 2, 1996**

[54] NIGHT VISION DEVICE

3,501,638 3/1970 Compton et al. 250/330

[76] Inventor: **Carey Johnson, Jr.**, 2340 7th Ave., No. 62, New York, N.Y. 10030

FOREIGN PATENT DOCUMENTS

1200201 6/1959 France 362/138
108818 6/1985 Japan 250/330

[**] Term: **14 Years**

Primary Examiner—Louis S. Zarfes
Assistant Examiner—Monica A. Hannon
Attorney, Agent, or Firm—Harpman & Harpman

[21] Appl. No.: **33,745**

[22] Filed: **Jan. 19, 1995**

[52] U.S. Cl. **D16/130**; D16/136

[57] CLAIM

[58] Field of Search D16/130, 131, D16/235; 40/367; 250/330, 333; 354/79; 356/142, 149, 241, 251; 359/353, 382, 383, 384, 399, 405, 407, 412, 413, 415, 419, 430, 480, 802, 803, 804, 805, 810, 811; 362/138, 110, 259; D6/449, 450, 451; D26/85, 93, 95, 113

The ornamental design for a night vision device, as shown and described.

DESCRIPTION

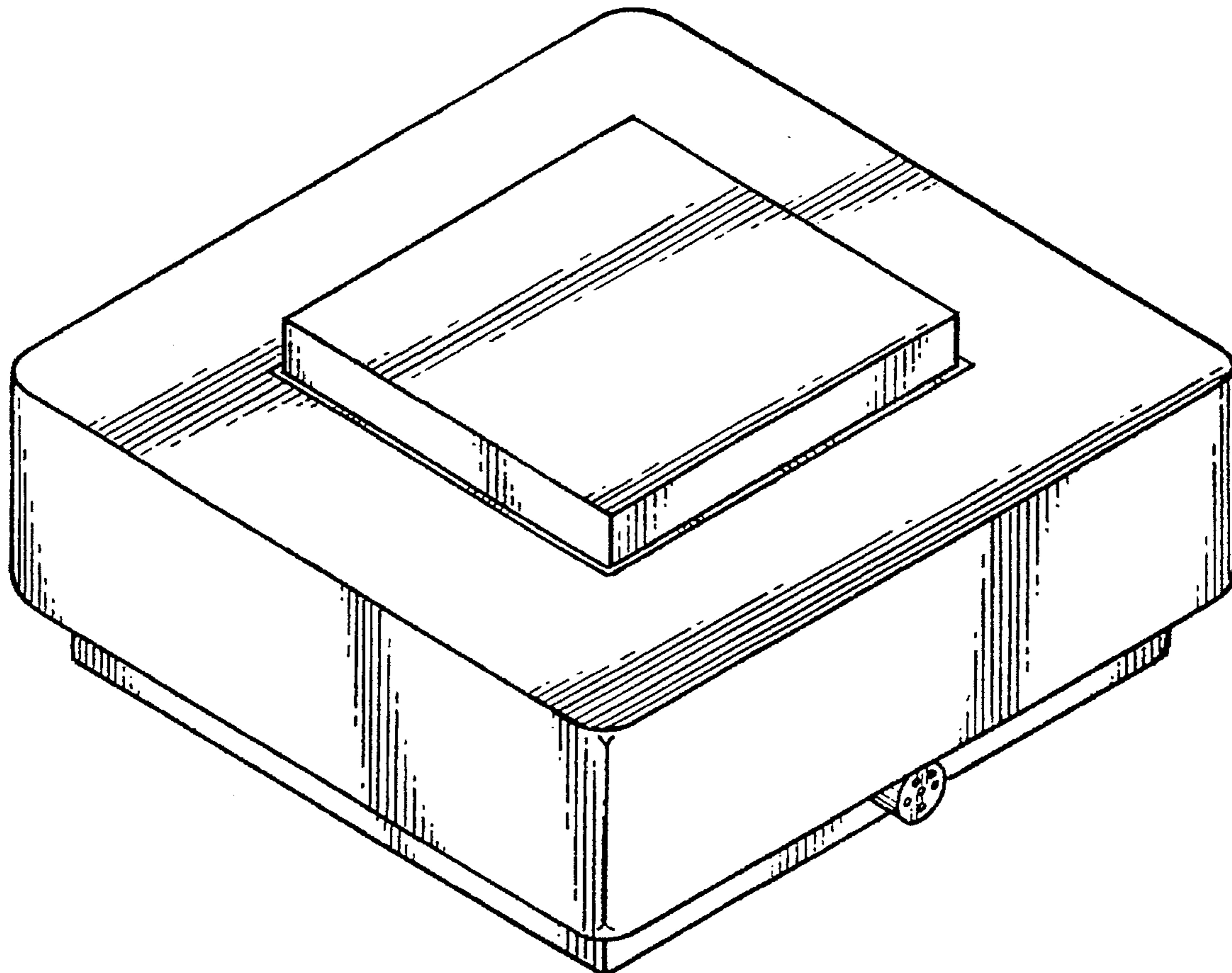
FIG. 1 is a front, top and side perspective view of the night vision device embodying the design of the present invention; FIG. 2 is a side elevational view thereof, the side opposite being a mirror image of the side shown in FIG. 2; FIG. 3 is a front elevational view thereof; FIG. 4 is a top plan view thereof; and, FIG. 5 is a bottom plan view thereof.

[56] References Cited

U.S. PATENT DOCUMENTS

D. 323,319 1/1992 Hillis D6/449 X
2,419,339 4/1947 Dennis 40/367
2,764,672 9/1956 Koedderich et al. D16/131 X

1 Claim, 3 Drawing Sheets



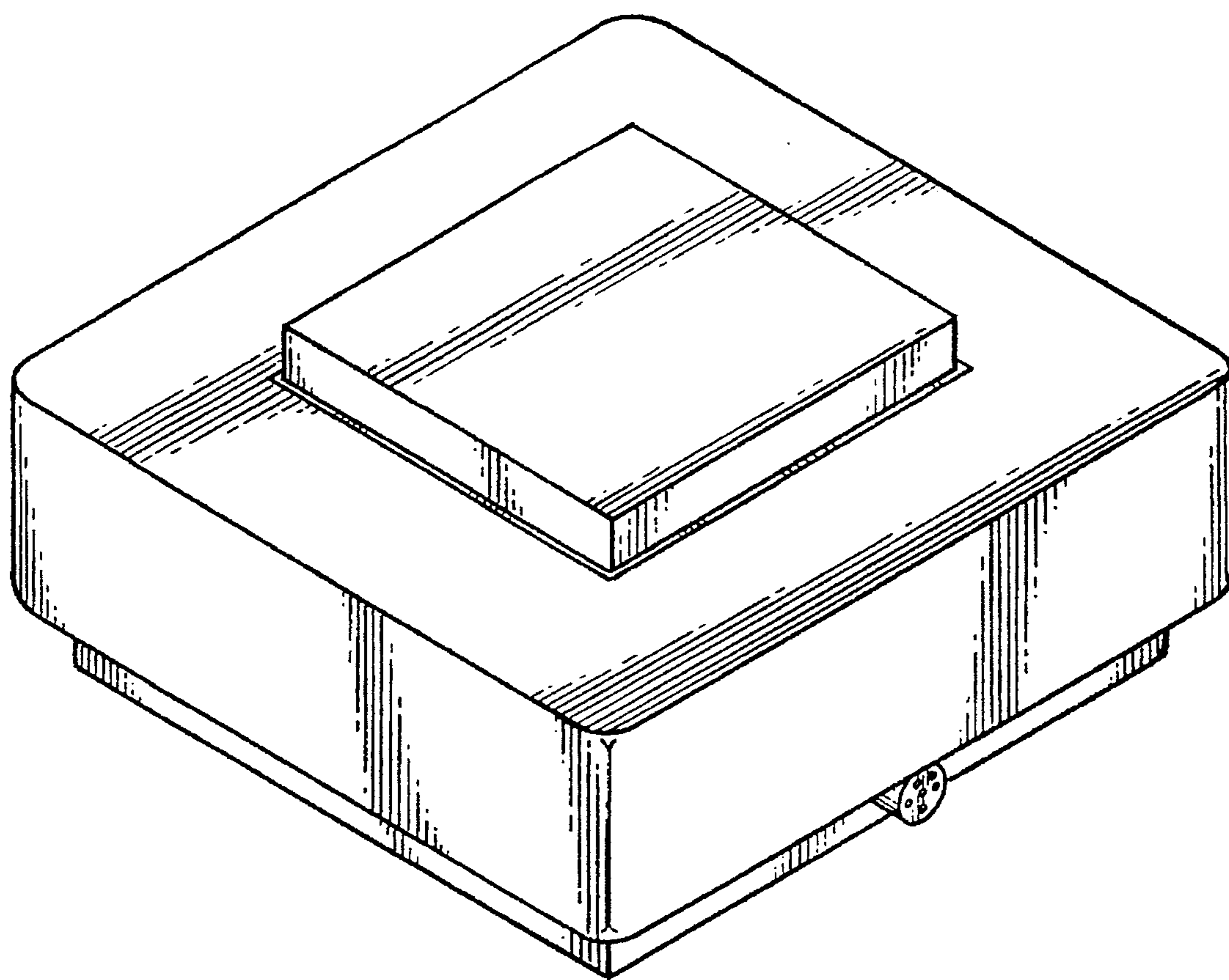


FIG. 1

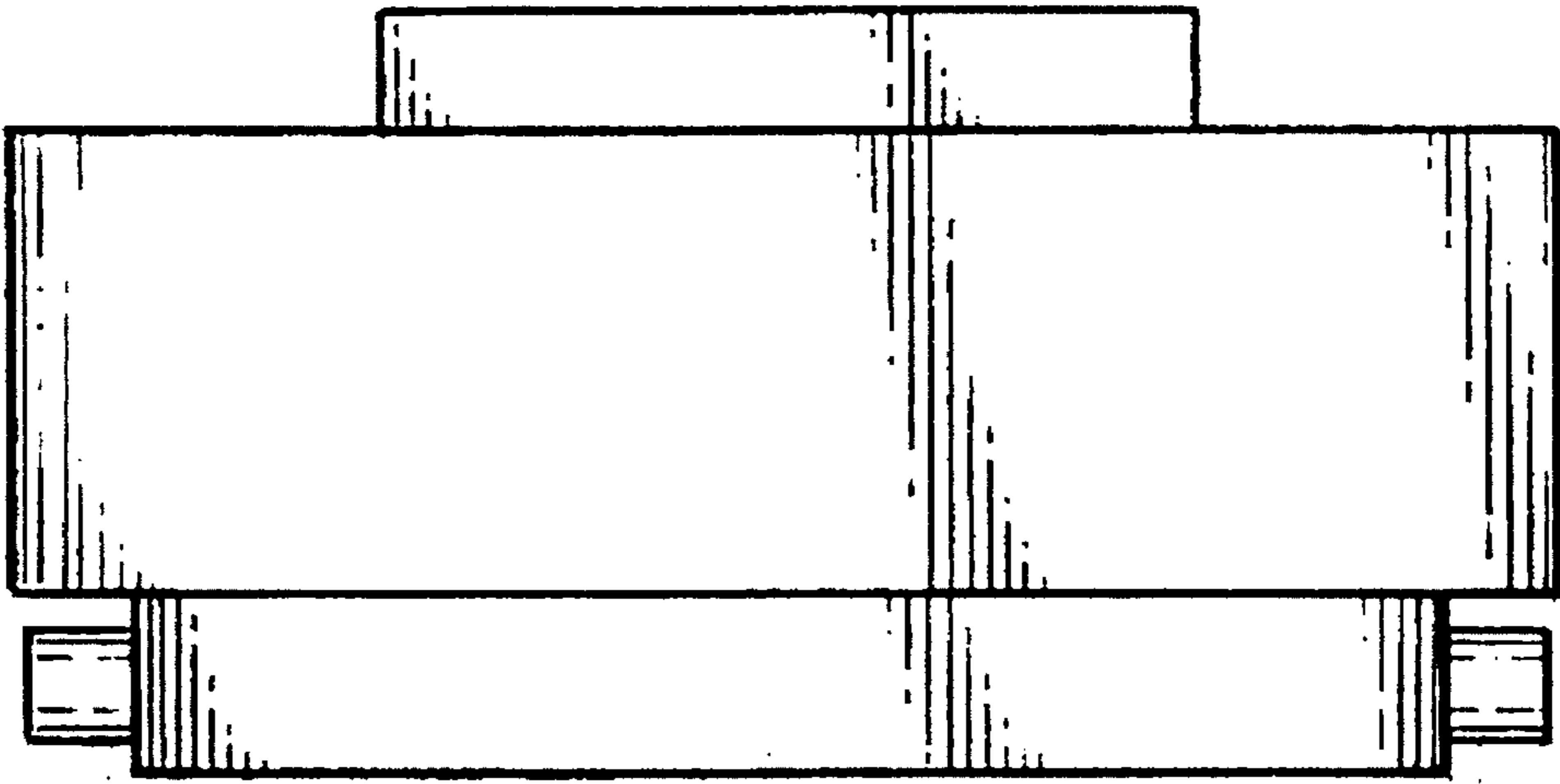


FIG. 2

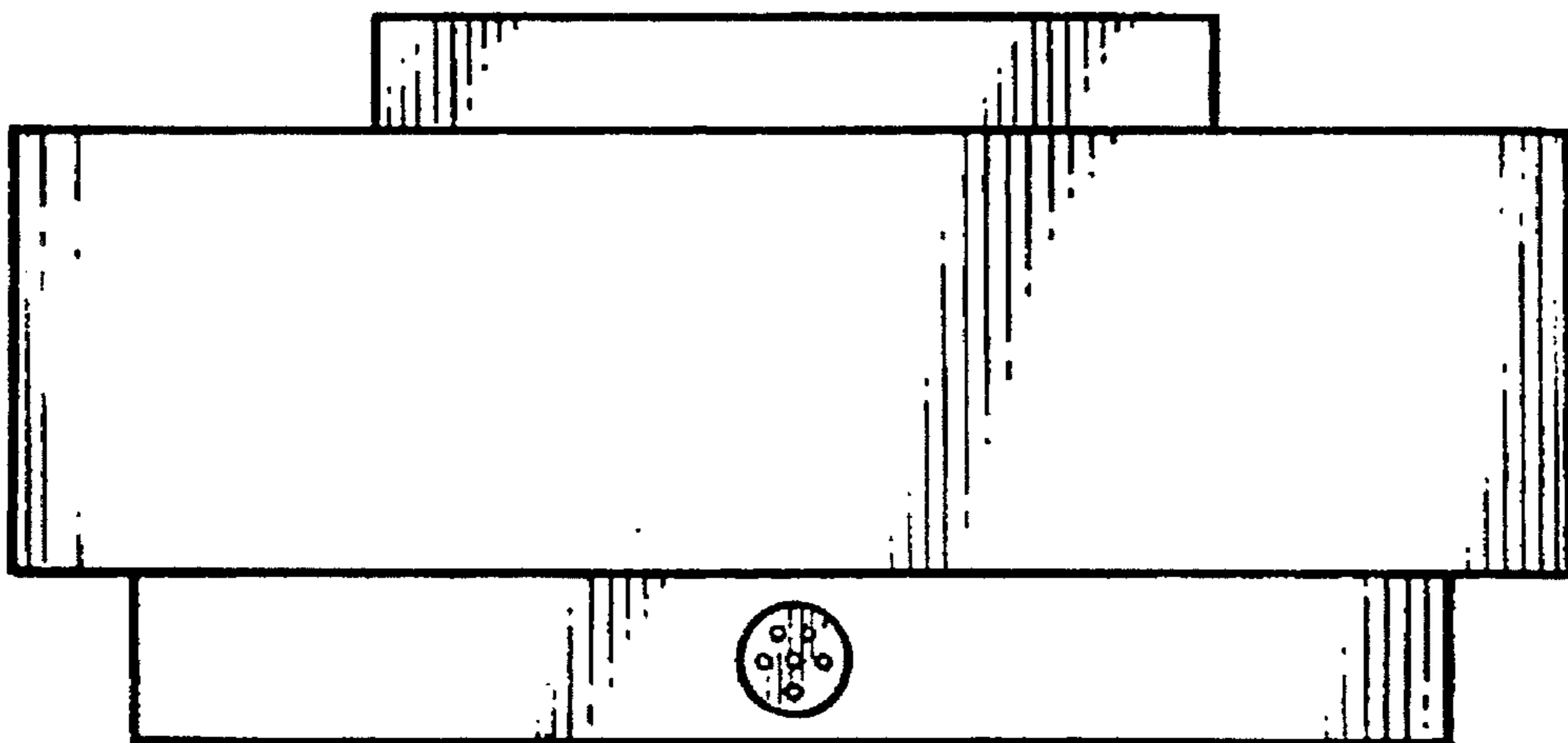


FIG. 3

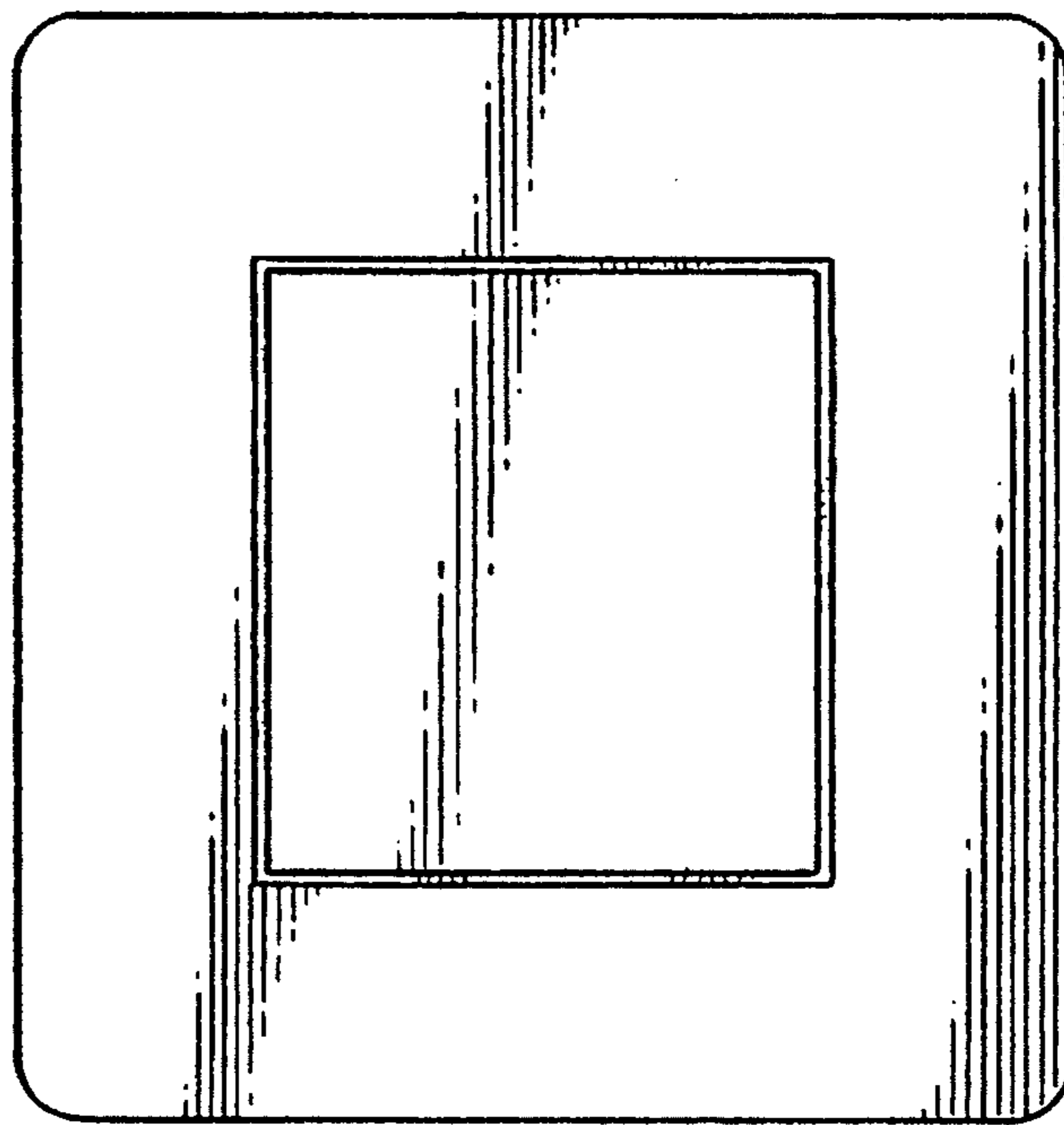


FIG. 4

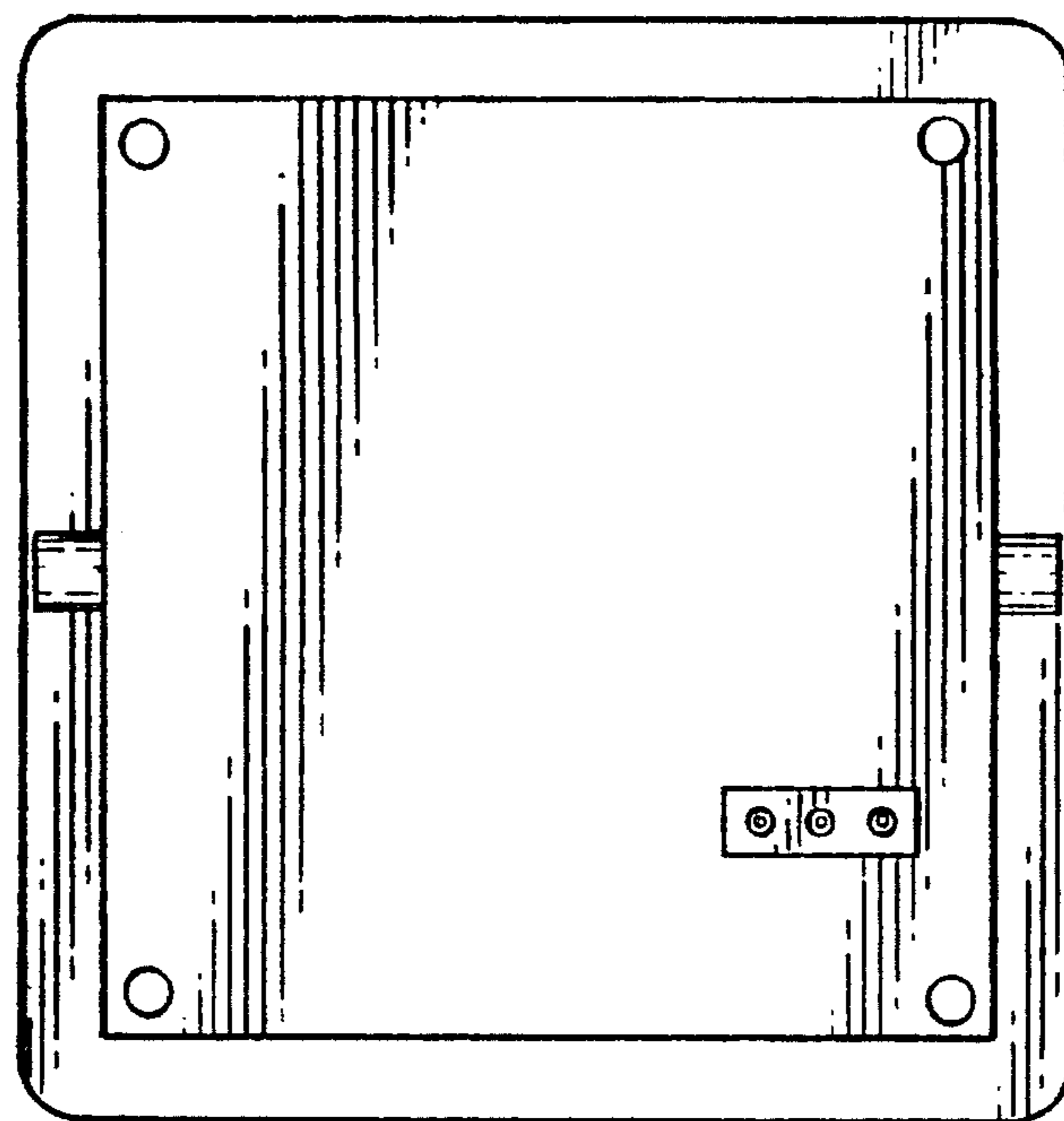


FIG. 5