



US00D371373S

# United States Patent [19]

**Kingsley et al.**

[11] **Patent Number: Des. 371,373**

[45] **Date of Patent: \*\*Jul. 2, 1996**

- [54] **COWLING FOR CONCRETE SAW**
- [75] Inventors: **Michael G. Kingsley**, Independence, Mo.; **Donald L. Rohrs**, Overland Park, Kans.
- [73] Assignee: **Diamant Boart, Inc.**, Kansas City, Mo.
- [\*\*] Term: **14 Years**
- [21] Appl. No.: **33,376**
- [22] Filed: **Jan. 11, 1995**
- [52] U.S. Cl. .... **D15/133**
- [58] **Field of Search** ..... D15/133, 134; 83/475, 490, 651.1, 701, 859, 860; 125/13.01, 14, 21, 38; 425/26, 142, 298, 311

5,241,946 9/1993 Yelton et al. .... 125/14  
 5,381,780 1/1995 Yelton et al. .... 125/14

*Primary Examiner*—Antoine Duval Davis  
*Attorney, Agent, or Firm*—Kokjer, Kircher, Bowman & Johnson

### [57] CLAIM

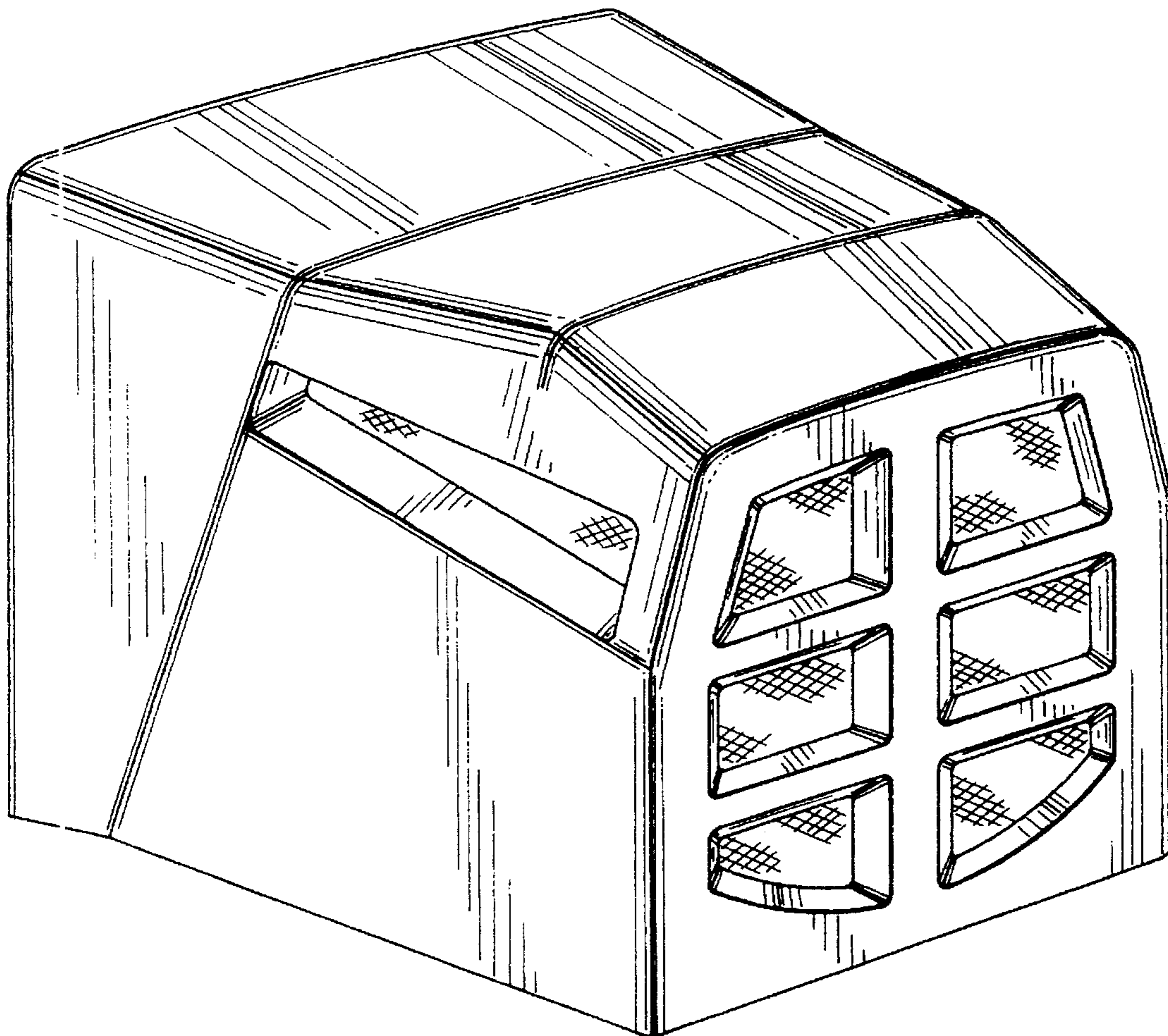
The ornamental design for a cowling for concrete saw, as shown and described.

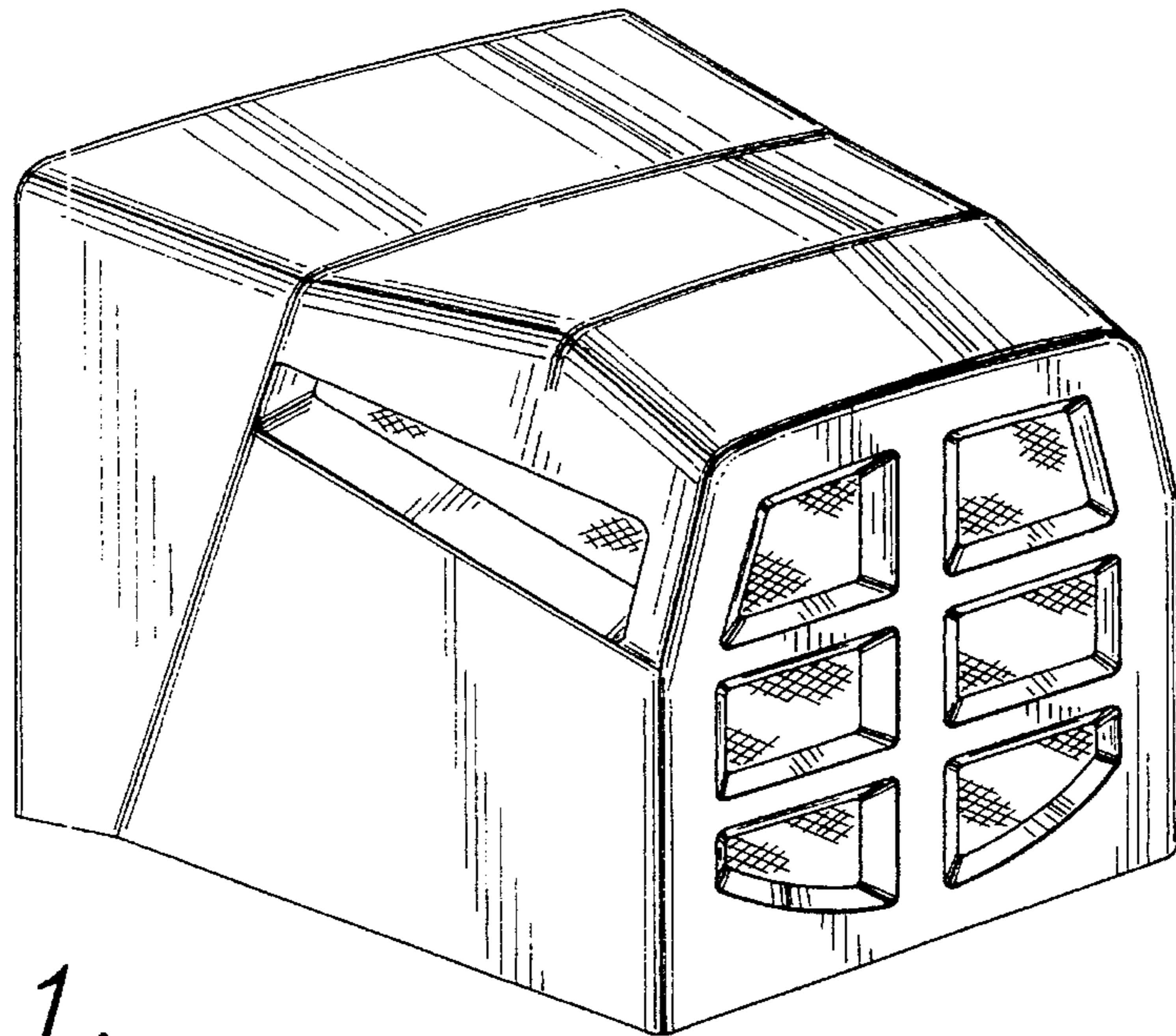
### DESCRIPTION

FIG. 1 illustrates a front perspective view of a cowling according to the present invention;  
 FIG. 2 illustrates a side elevational view of the present invention;  
 FIG. 3 illustrates a front elevational view of the present invention; and,  
 FIG. 4 illustrates a top plan view of the present invention. The broken line showing of the chasis, controls, wheels and blade for a concrete saw is for illustrative purposes only and forms no part of the claimed design.

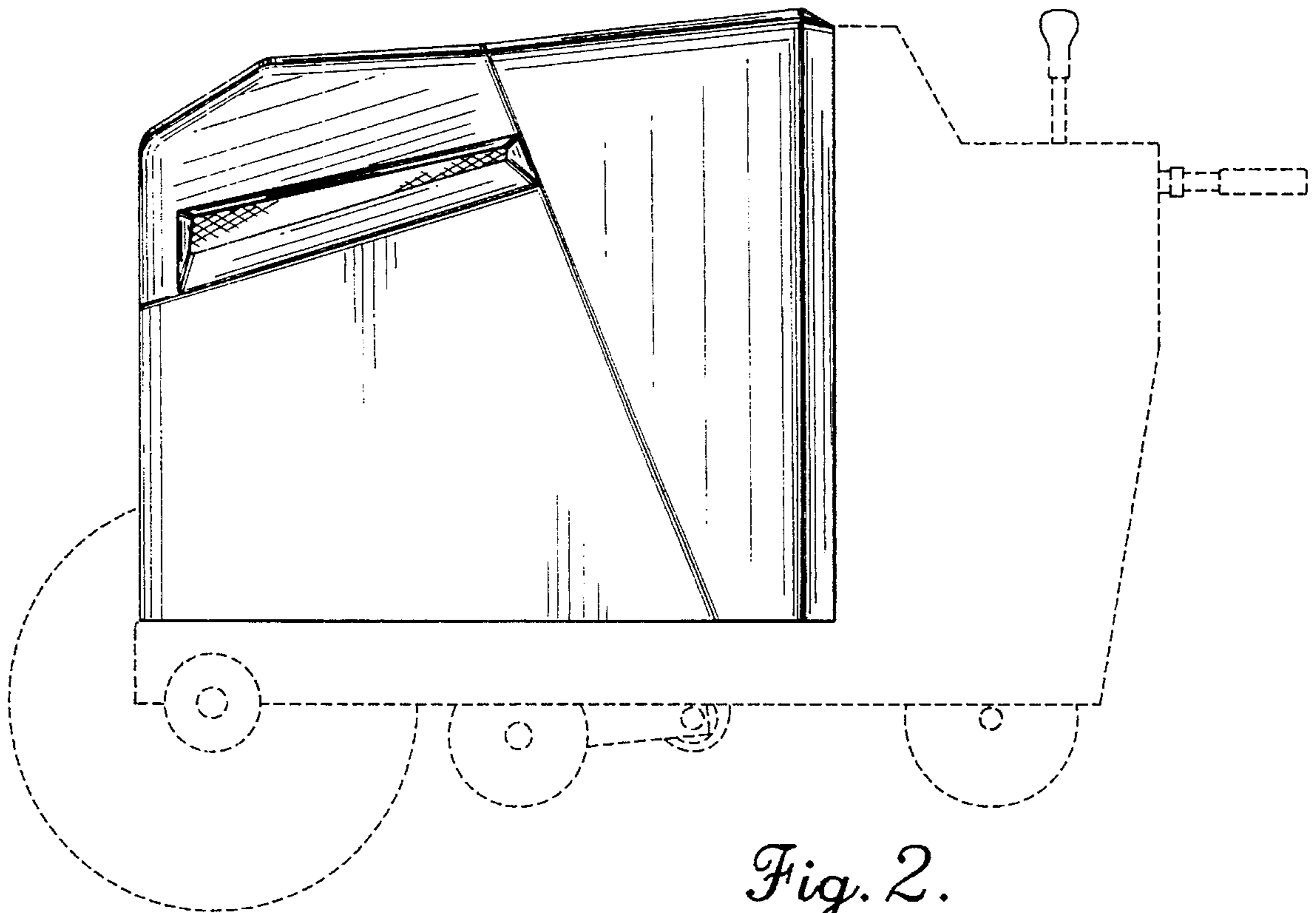
- [56] **References Cited**
- U.S. PATENT DOCUMENTS
- 4,840,431 6/1989 Jedick ..... 125/14 X
- 5,167,215 12/1992 Harding, Jr. .... 125/14 X
- 5,193,518 3/1993 Moller et al. .... 125/14 X

**1 Claim, 2 Drawing Sheets**

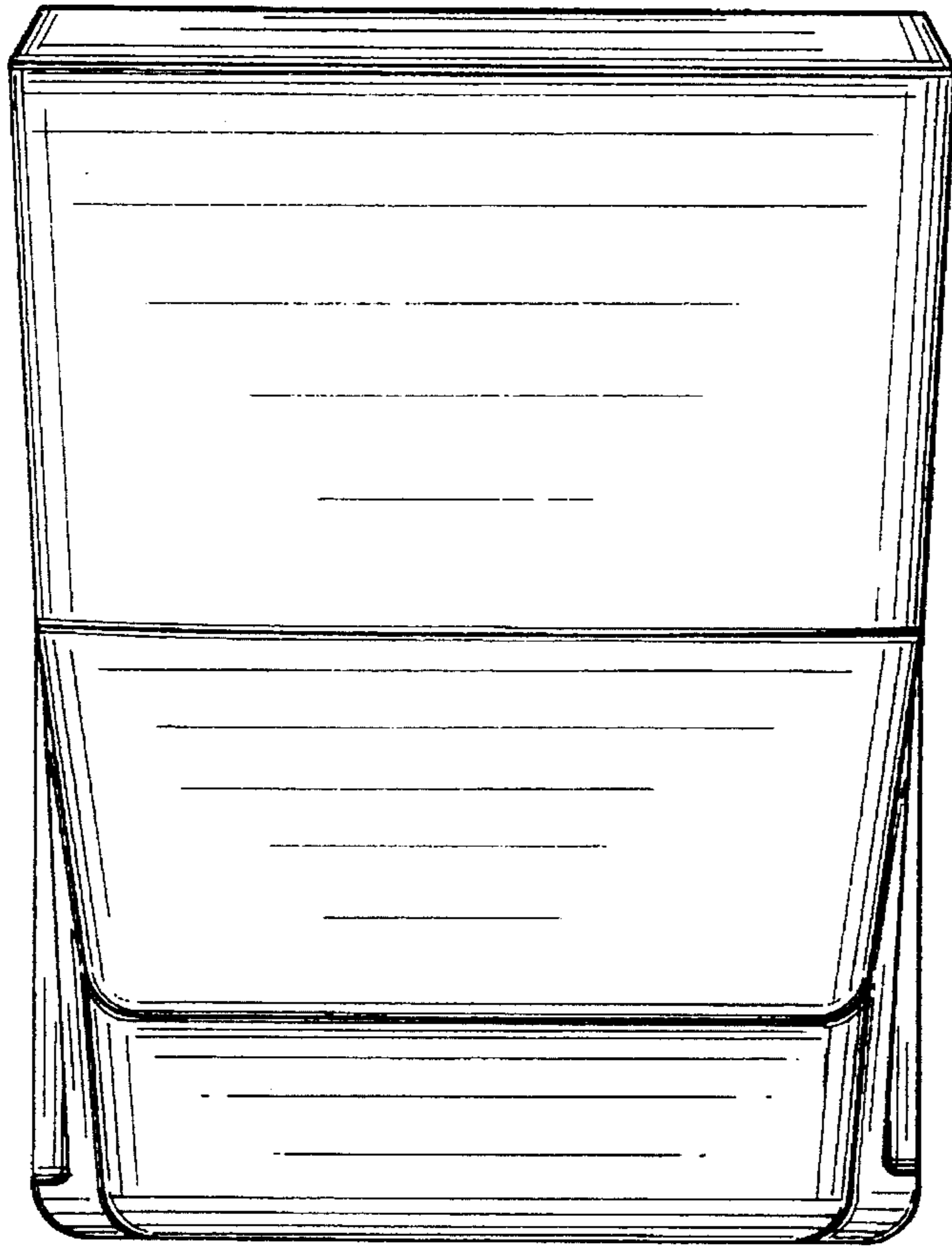




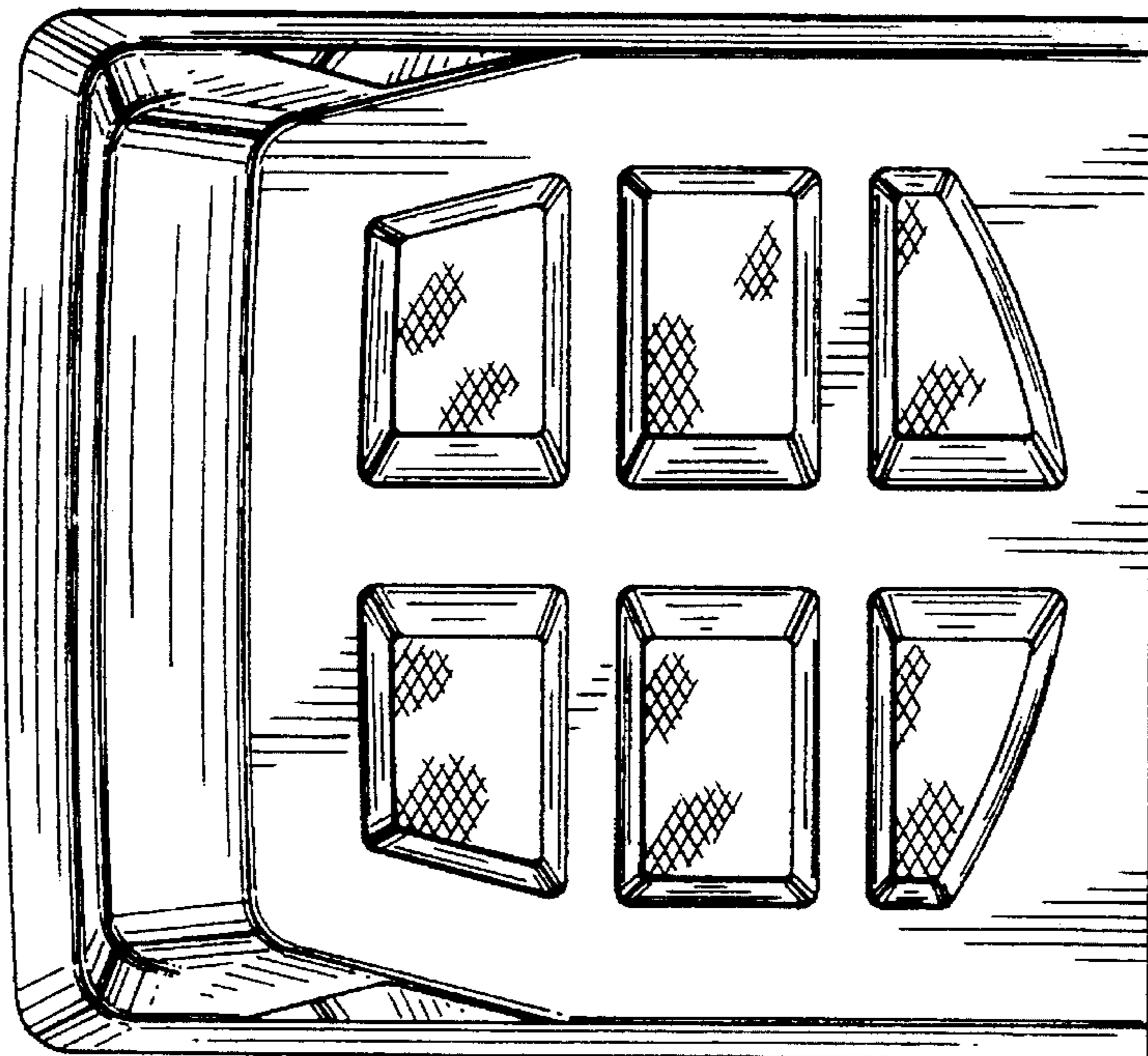
*Fig. 1.*



*Fig. 2.*



*Fig. 4.*



*Fig. 3.*