



US00D371372S

United States Patent [19]

Westimayer et al.

[11] Patent Number: **Des. 371,372**

[45] Date of Patent: ****Jul. 2, 1996**

[54] **OUTER SURFACE OF VEHICLE HOOD**

[75] Inventors: **David A. Westimayer**, Horicon, Wis.;
William E. Crookes, Waldwick; **Daniel R. Nickles**, Hewitt, both of N.J.;
Alberto J. Mantilla, Columbia, N.Y.

[73] Assignee: **Deere & Company**, Moline, Ill.

[**] Term: **14 Years**

[21] Appl. No.: **30,226**

[22] Filed: **Oct. 24, 1994**

[52] U.S. Cl. **D15/31**; D15/17

[58] Field of Search D15/10, 14-17,
D15/22-26, 28, 31; 56/12.8, 13.4, 17.4,
17.5, 202, 254, 255, 320.1, 320.2; 296/186,
187, 901; 180/89.1, 89.12, 900

[56] **References Cited**

U.S. PATENT DOCUMENTS

D. 193,838	10/1962	Dreyfuss et al.	D15/31
D. 197,557	2/1964	Rhoades	D15/23
D. 246,370	11/1977	Lorenz	D15/31
D. 296,557	7/1988	Williams	D15/31
D. 297,330	8/1988	Monehaie et al.	D15/31
D. 311,543	10/1990	Hardzinski et al.	D15/17
D. 329,242	9/1992	Holm et al.	D15/17
D. 340,728	10/1993	Martenas et al.	D15/31
5,193,636	3/1993	Holm et al.	180/68.1

OTHER PUBLICATIONS

Deere & Co., "John Deere Tractors 1918". 1987, comprised of 72 pages, see particularly pp. 58 and 59, dated 1987, published in the U.S.A.

Deere & Co., "STX and LX Lawn Tractors", comprised of pp. 1-8, see particularly pp. 2, 3 and 6, dated 1994, published in the U.S.A.

Deere & Co., "Lawn and Garden Tractors", comprised of pp. 1-8, see particularly pp. 1 and 2, dated 1994, published in the U.S.A.

Cub Cadet Power Equipment, "Cub Cadet Power Equipment Garden Tractors", pp. 1-20, see particularly pp. 1, 2, 3 and 5-14, dated 1991, published in the U.S.A.

Mitsubishi Agricultural Machinery Company, Ltd., "Mitsubishi MT300/MT300D, A New Dimension in Multi-Purpose Tractors", pp. 1-4, see particularly pp. 1 and 2, dated 1984, published in Japan.

Deere & Co., "Walk-Behind Riders and STX Tractors", pp. 1-8, see particularly pp. 1, 6 and 7, dated 1994, published in the U.S.A.

Kubota Tractor Corporation, "Kubota Diesel Tractor L2550GST", 16 pages, see particularly pp. 1, 3 and 12, dated 1987, published in Japan.

Toro Company, "Toro Reelmaster 216", pp. 1-4, see particularly 1 and 3, dated 1990, published in the U.S.A.

Primary Examiner—Sandra L. Morris

[57] **CLAIM**

The ornamental design for a outer surface of vehicle hood, as shown and described.

DESCRIPTION

FIG. 1 is a left front perspective view of a outer surface of vehicle hood, showing our new design, the broken lines being for illustrative purposes only, and forming no part of the claimed design;

FIG. 2 is a right side elevational view thereof;

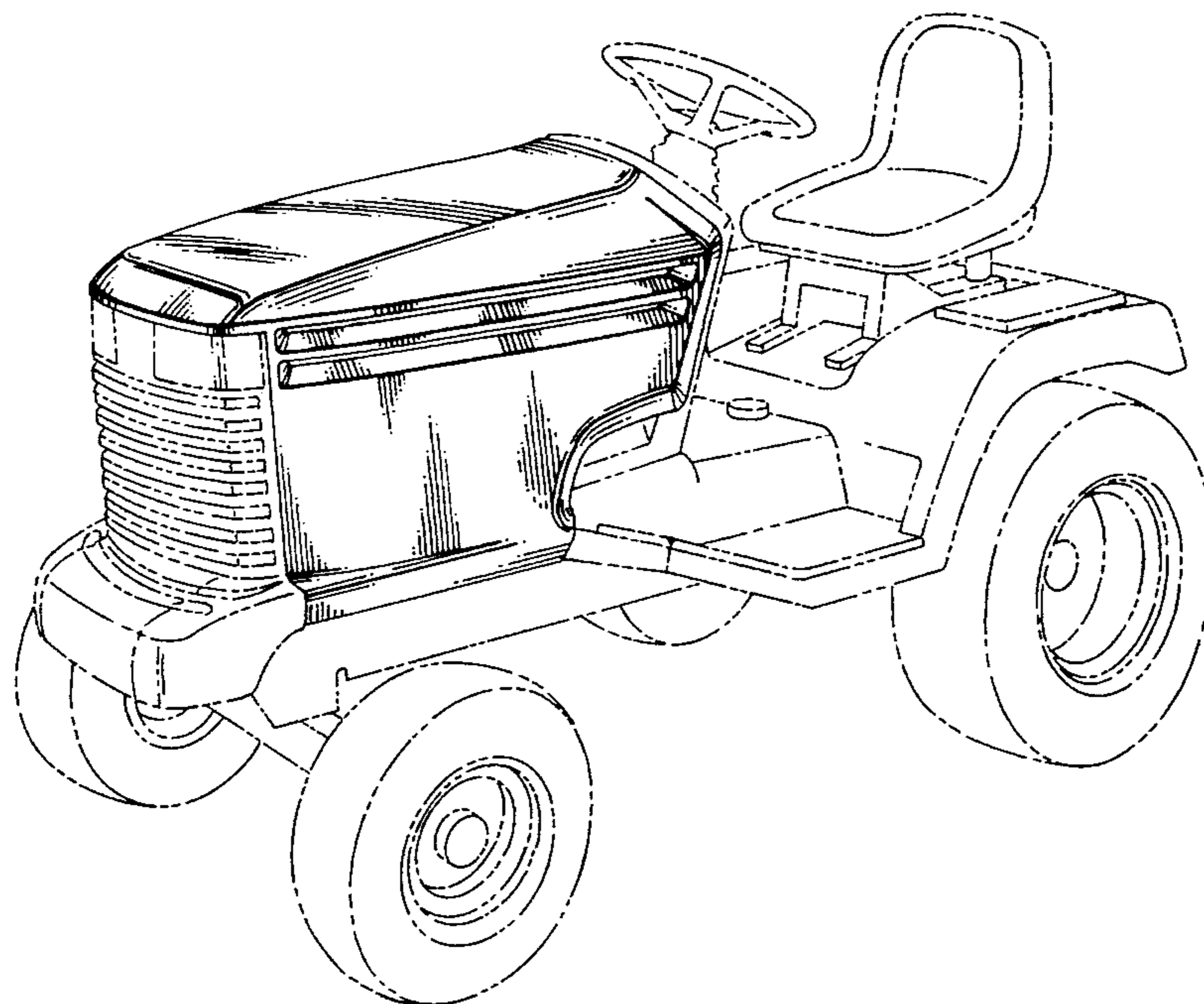
FIG. 3 is a left side elevational view thereof;

FIG. 4 is a top plan view thereof;

FIG. 5 is a front elevational view thereof; and,

FIG. 6 is a rear elevational view thereof.

1 Claim, 5 Drawing Sheets



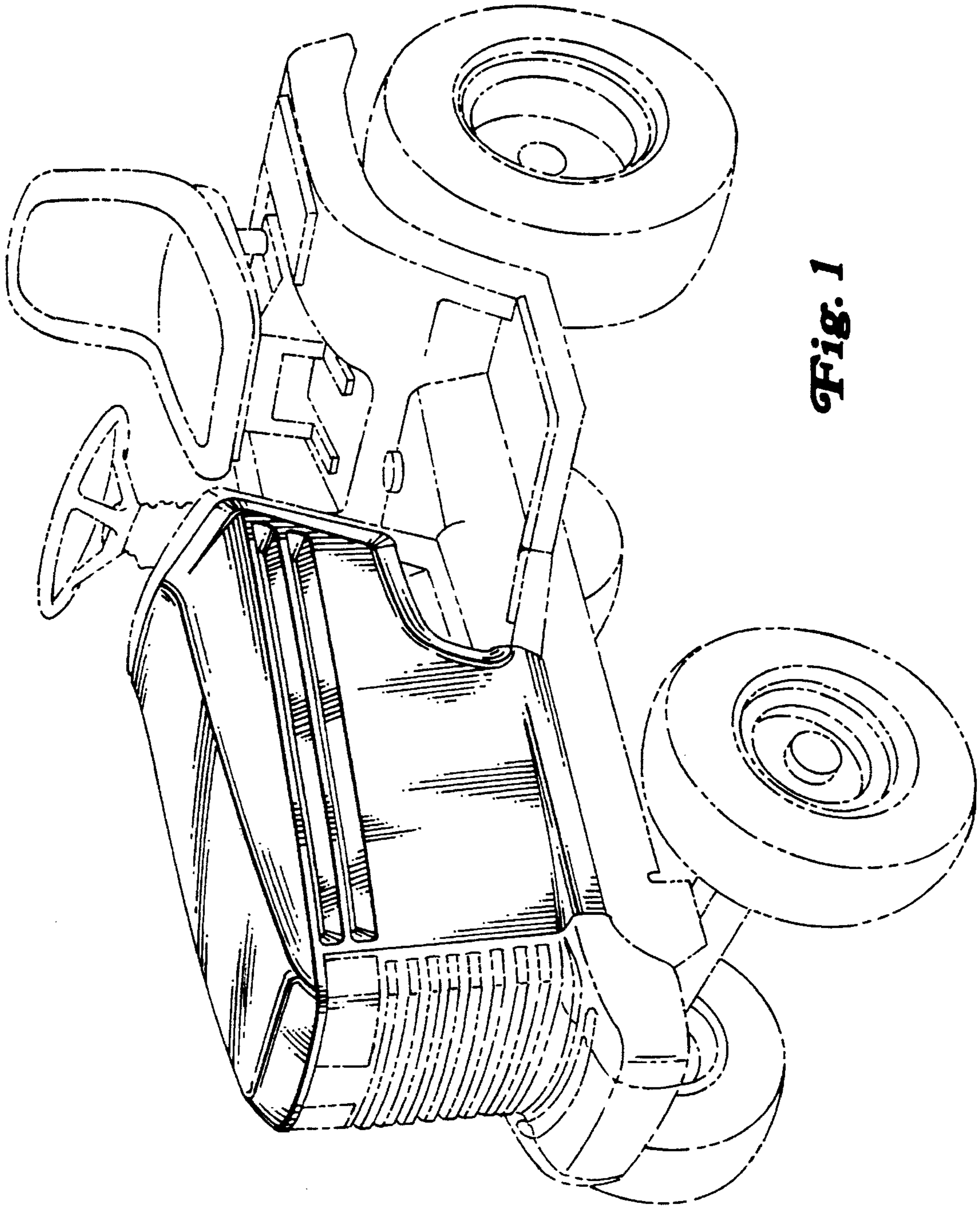


Fig. 1

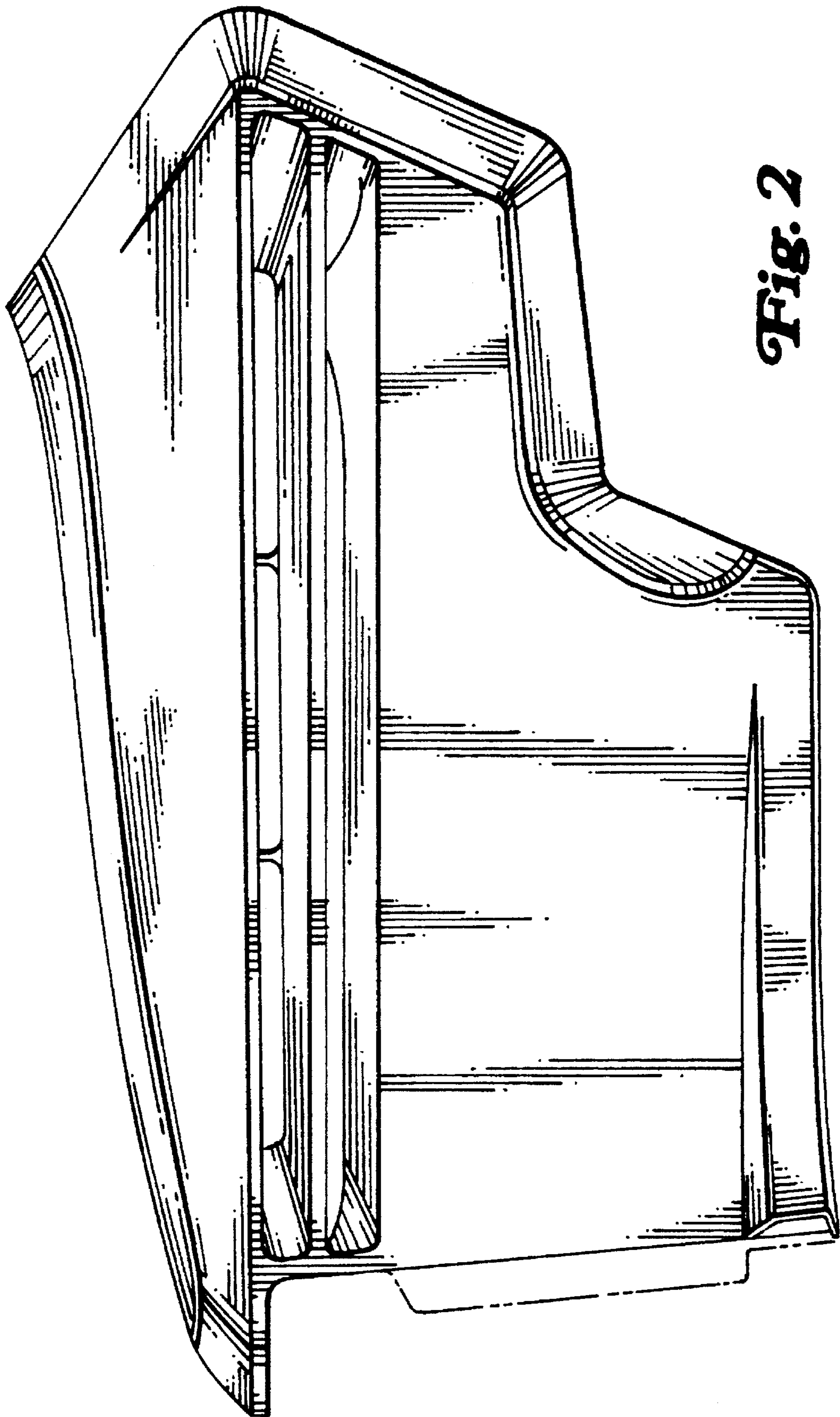


Fig. 2

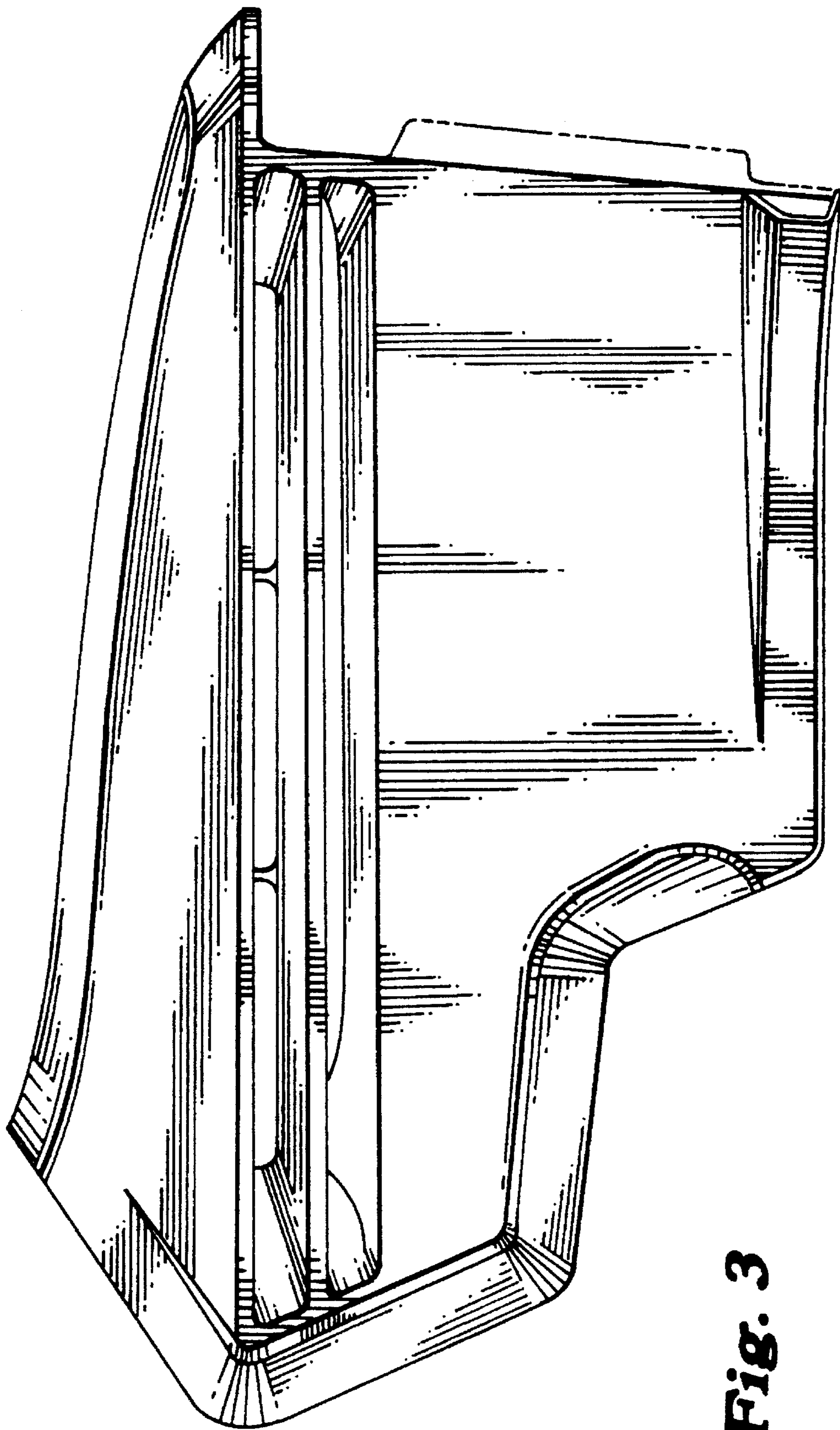


Fig. 3

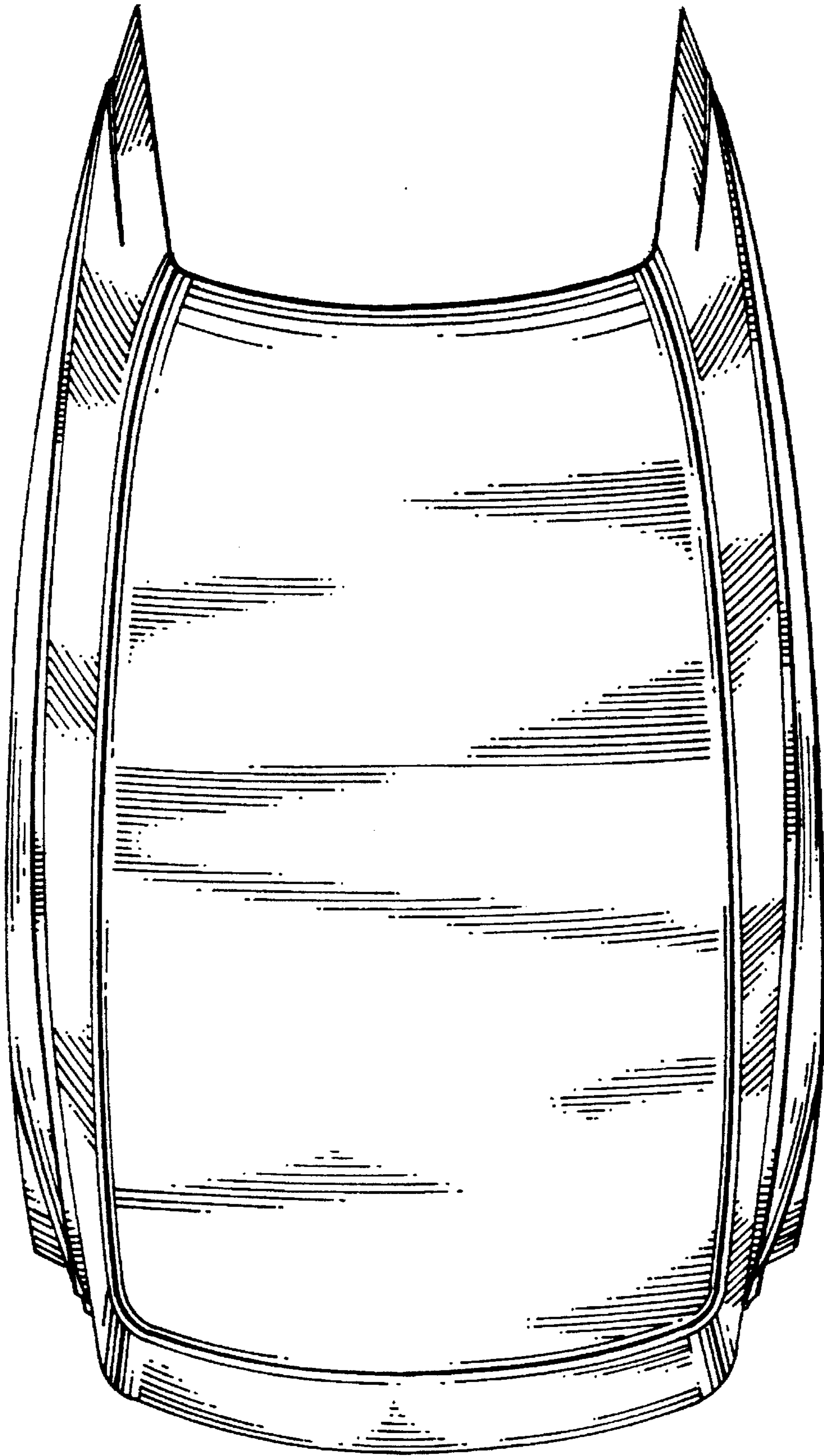


Fig. 4

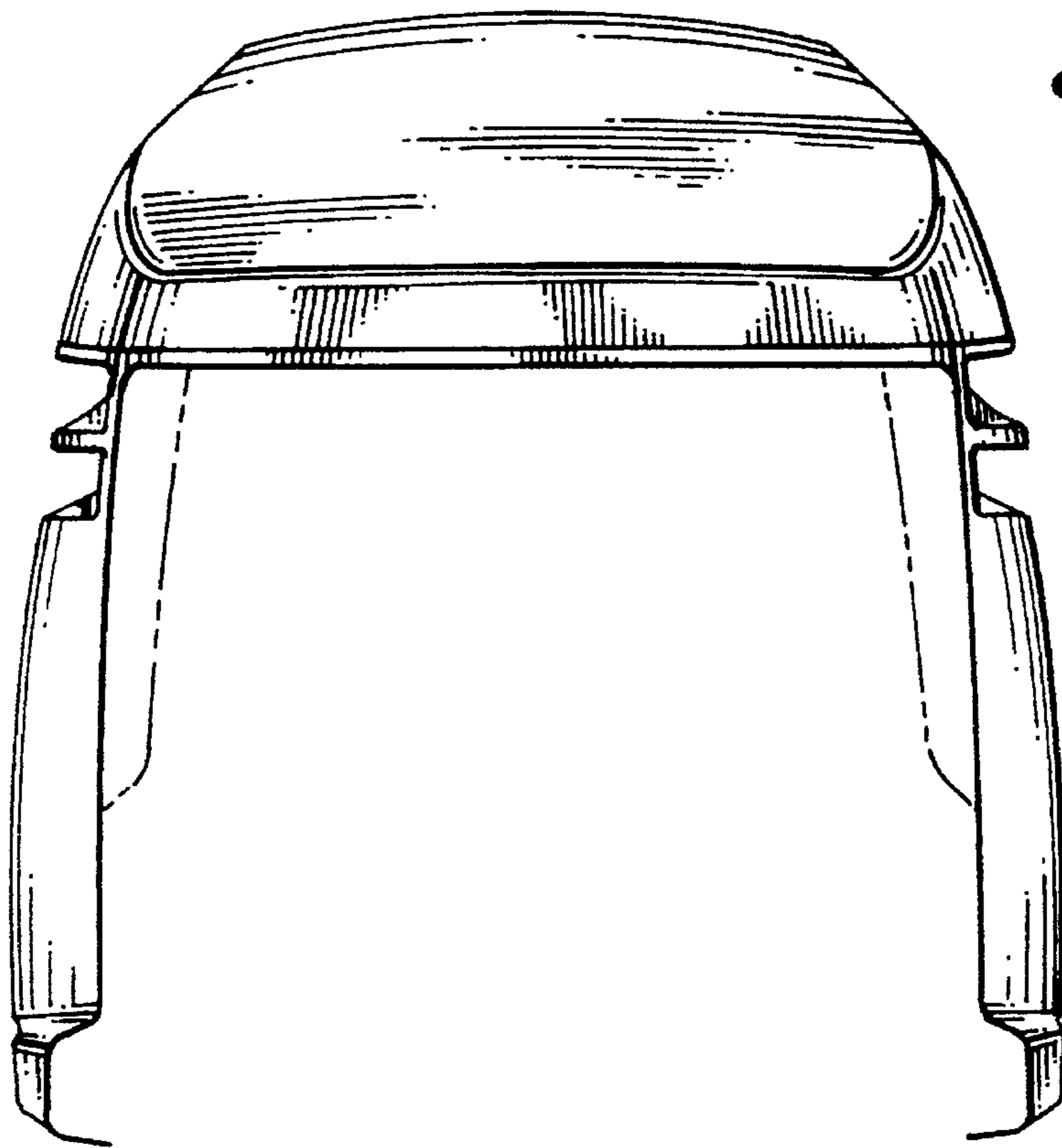


Fig. 5

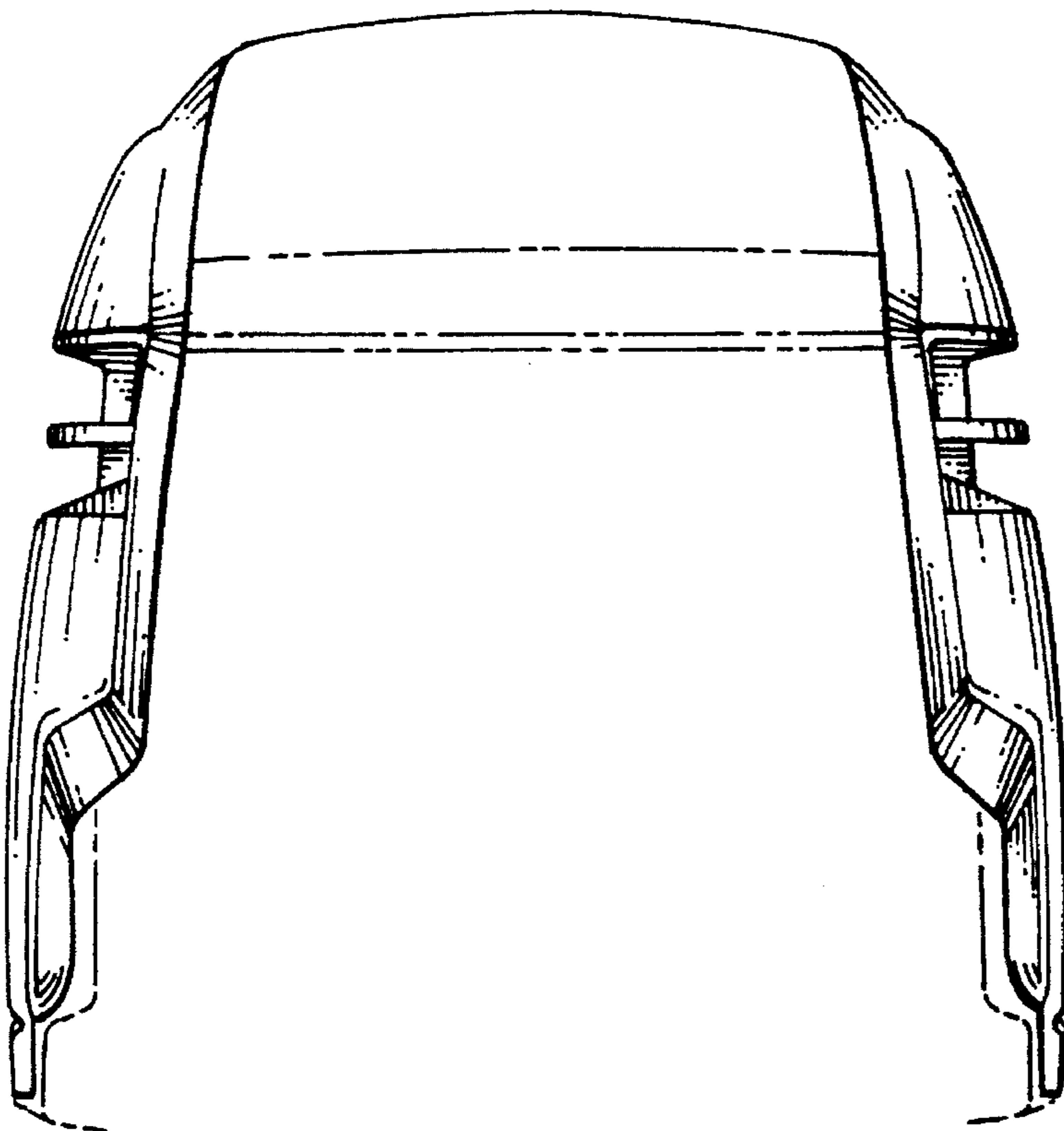


Fig. 6