



US00D371370S

United States Patent [19]

Fenton et al.

[11] Patent Number: **Des. 371,370**

[45] Date of Patent: ****Jul. 2, 1996**

[54] ANTENNA CONNECTOR MODULE

4,636,015	1/1987	Ford, Jr.	439/916 X
5,293,177	3/1994	Sakurai et al.	439/916 X
5,357,262	10/1994	Blaese	439/916 X

[75] Inventors: **William E. Fenton**, Coquitlam; **John L. Bates**, Richmond, both of Canada

Primary Examiner—Dominic Simone
Attorney, Agent, or Firm—Donna Rogers Maddox

[73] Assignee: **Motorola, Inc.**, Schaumburg, Ill.

[**] Term: **14 Years**

[57] **CLAIM**

[21] Appl. No.: **27,894**

The ornamental design for an antenna connector module, as shown and described.

[22] Filed: **Aug. 31, 1994**

DESCRIPTION

[52] U.S. Cl. **D14/238**; D14/230

[58] Field of Search D14/230, 238,
D14/299; D13/133; 333/24 R; 439/578,
916

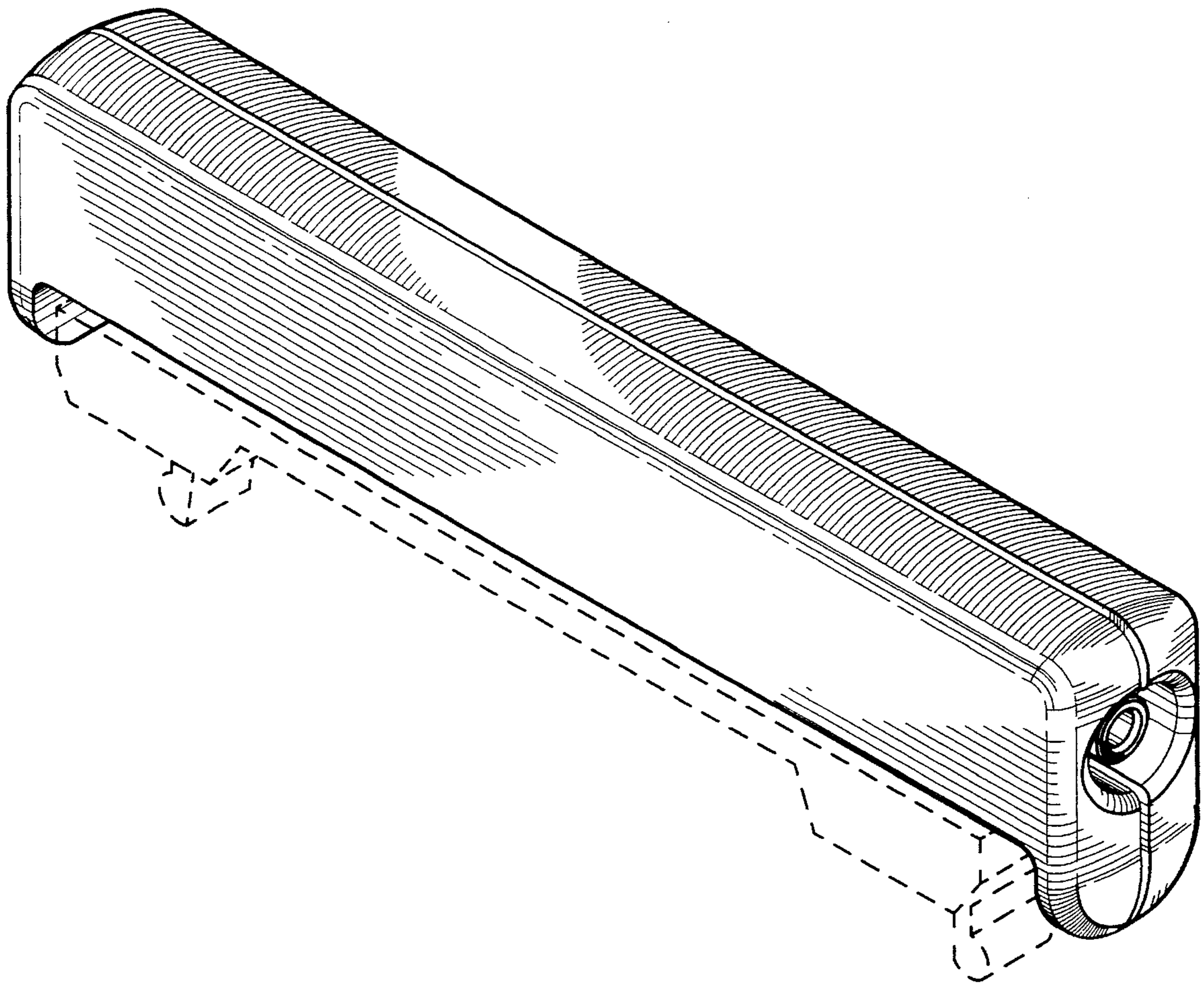
FIG. 1 is a top, front and right side perspective view of an antenna connector module showing our new design wherein the lines shown in phantom are disclaimed;
FIG. 2 is a left side elevational view thereof;
FIG. 3 is a bottom plan view thereof; and,
FIG. 4 is a rear side elevational view thereof.

[56] **References Cited**

U.S. PATENT DOCUMENTS

2,444,934 7/1948 Kester et al. 439/916 X

1 Claim, 2 Drawing Sheets



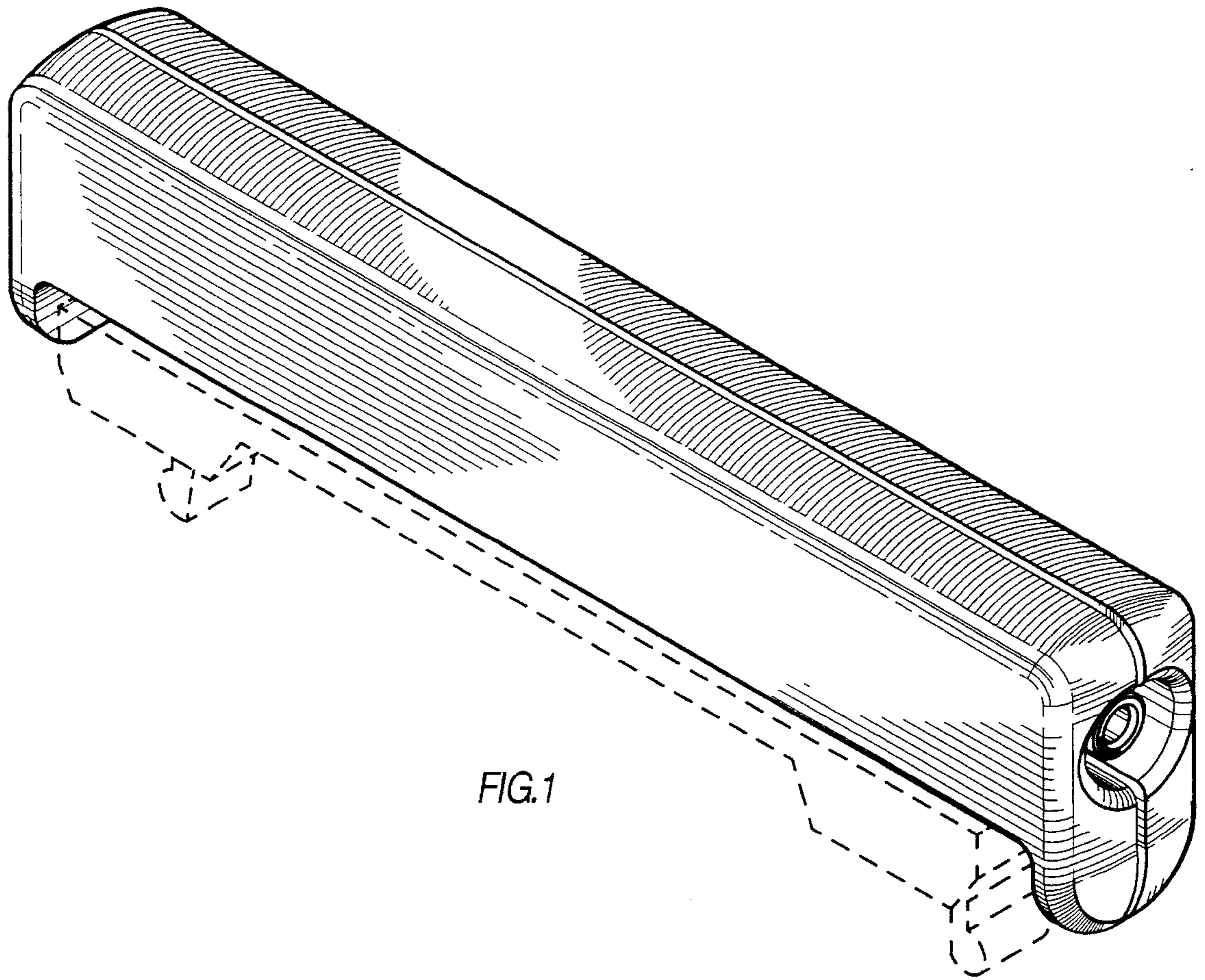


FIG.1

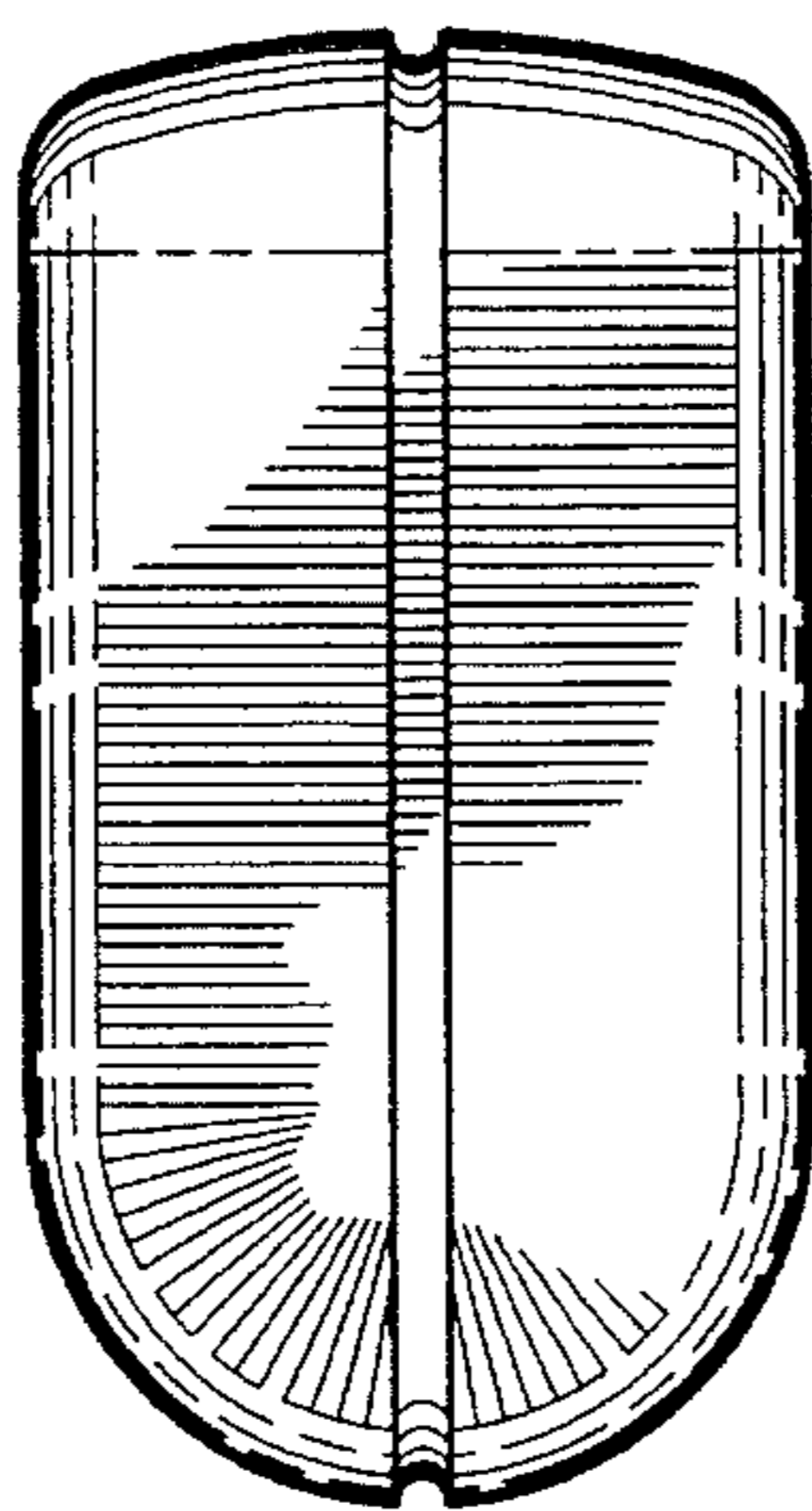


FIG.2

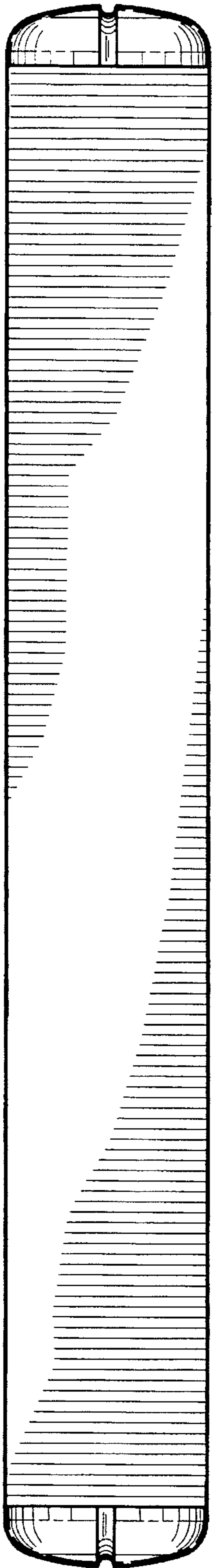


FIG.3

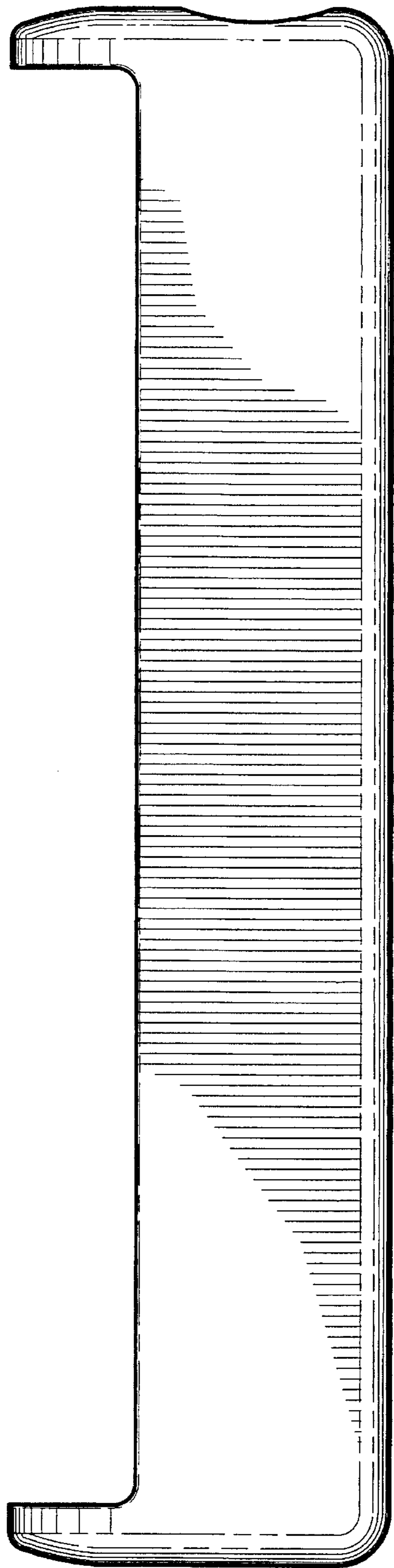


FIG.4