



US00D371369S

United States Patent [19]
Feldman

[11] **Patent Number: Des. 371,369**
[45] **Date of Patent: **Jul. 2, 1996**

[54] **COVER FOR INDOOR TELEVISION ANTENNA**

5,392,056 2/1995 DeTeso 343/872 X

Primary Examiner—Dominic Simone

[75] Inventor: **Steve Feldman**, Portland, Oreg.

[57] **CLAIM**

[73] Assignee: **Steven G. Feldman**, Portland, Oreg.

The ornamental design for a cover for indoor television antenna, as shown.

[**] Term: **14 Years**

DESCRIPTION

[21] Appl. No.: **37,886**

FIG. 1 is a perspective view of a cover for an indoor television antenna showing my new design, the additional cover, antenna and partially broken away television are shown in broken lines for clarity of illustration;

[22] Filed: **Apr. 24, 1995**

FIG. 2 is a back view;

[52] **U.S. Cl.** **D14/230**

FIG. 3 is a top view;

[58] **Field of Search** D14/230, 231,
D14/235, 299; 343/872, 873

FIG. 4 is a front view;

[56] **References Cited**

U.S. PATENT DOCUMENTS

FIG. 5 is a left side view the right side is a mirror view of the left; and,

- D. 304,454 11/1989 Serres D14/231
- D. 347,437 5/1994 Brehmer et al. D14/230
- D. 353,819 12/1994 Klarich D14/230
- D. 356,313 3/1995 Mann et al. D14/230

FIG. 6 is a bottom view.

1 Claim, 1 Drawing Sheet

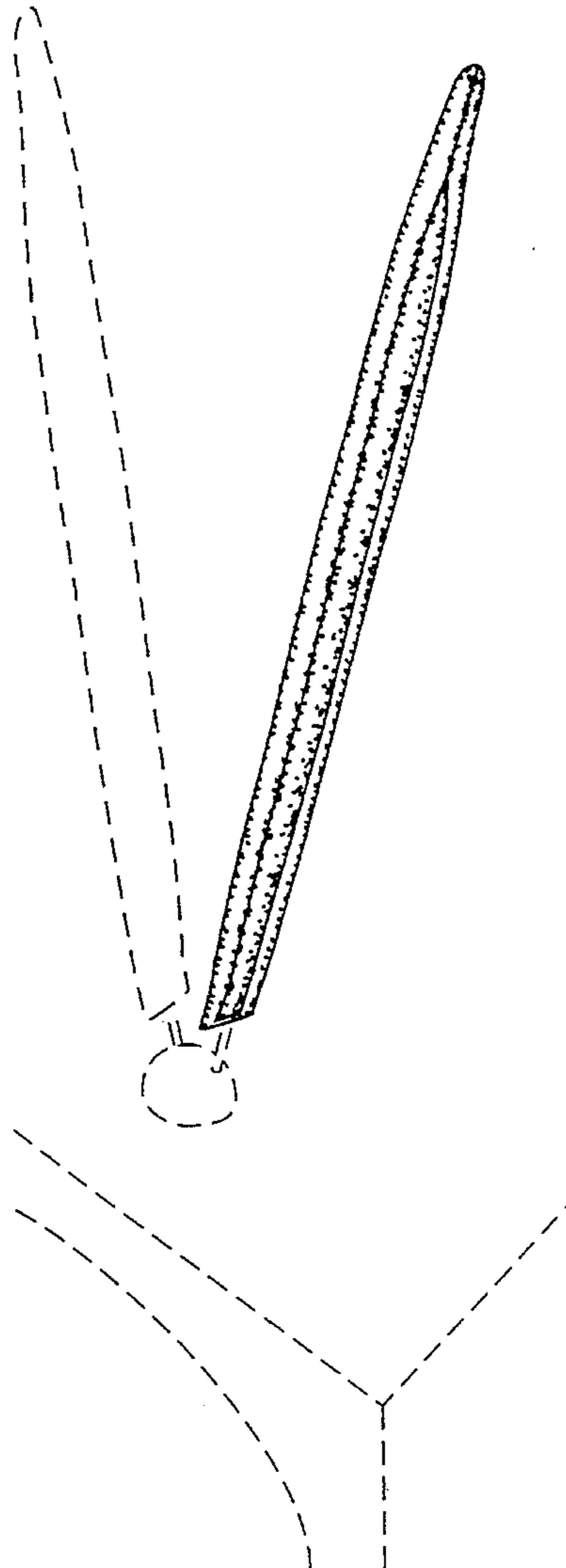


FIG. 1

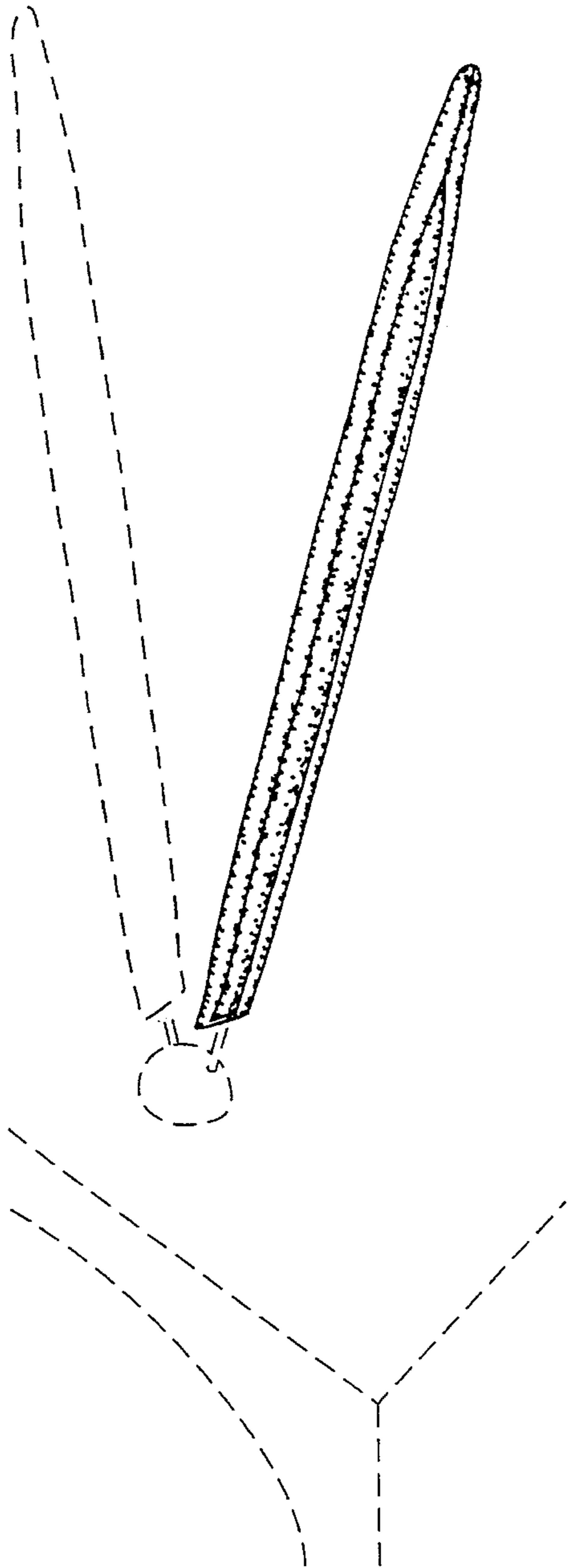


FIG. 2



FIG. 3



FIG. 4 FIG. 5

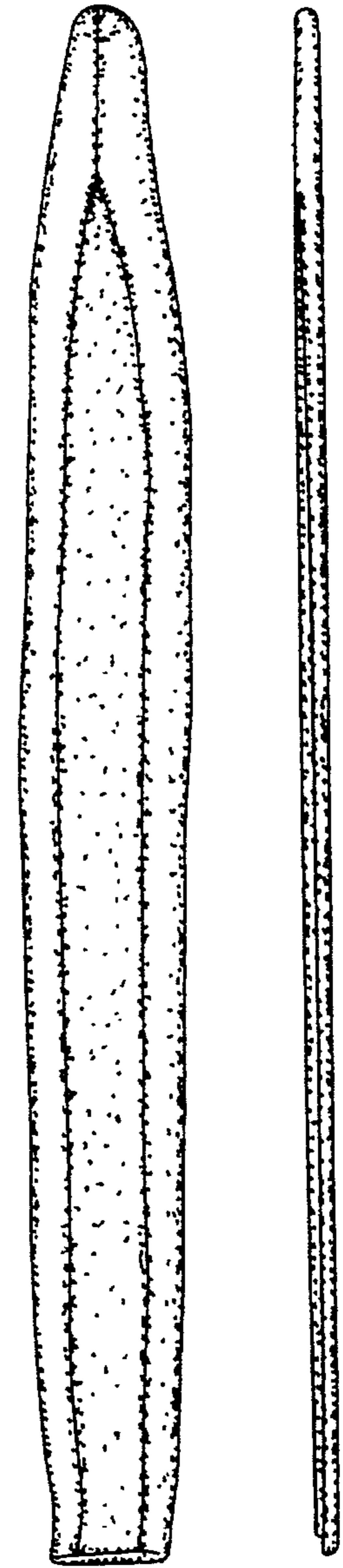


FIG. 6

