



US00D371363S

United States Patent [19] Tejima

[11] Patent Number: **Des. 371,363**
[45] Date of Patent: ****Jul. 2, 1996**

[54] **RADIO RECEIVER**

[75] Inventor: **Keisuke Tejima**, Tokyo, Japan
[73] Assignee: **Sony Corporation**, Tokyo, Japan
[**] Term: **14 Years**

[21] Appl. No.: **33,286**

[22] Filed: **Jan. 9, 1995**

[30] **Foreign Application Priority Data**

Jul. 8, 1994 [JP] Japan 6-20558

[52] U.S. Cl. **D14/193; D14/197**

[58] Field of Search D10/2; D14/124,
D14/126, 137-138, 155, 169-171, 188,
192-198; 455/343-344, 347, 350-351

[56] **References Cited**

U.S. PATENT DOCUMENTS

D. 327,886 7/1992 Yan D14/137 X
D. 330,553 10/1992 Hino D14/171
D. 340,717 10/1993 Grimes D14/193
D. 342,737 12/1993 Kawase D14/197
D. 358,814 5/1995 Lai Ling D14/171 X

Primary Examiner—Terry A. Wallace
Assistant Examiner—Nanda Bondade
Attorney, Agent, or Firm—Thomas G. Carulli

[57] **CLAIM**

The ornamental design for radio receiver, as shown and described.

DESCRIPTION

FIG. 1 is a top plan view of a radio receiver showing my new design;
FIG. 2 is a left-side elevational view thereof;
FIG. 3 is a front elevational view thereof;
FIG. 4 is a right-side elevational view thereof;
FIG. 5 is a bottom plan view thereof;
FIG. 6 is a rear elevational view thereof;
FIG. 7 is a top, front and right-side perspective view thereof;
FIG. 8 is a top, front and right-side perspective view thereof with the top being shown in its closed position; and,
FIG. 9 is a front elevational view thereof in operating condition.
The broken line showing on FIG. 9 is for illustrative purposes only and forms no part of the claim design.

1 Claim, 5 Drawing Sheets

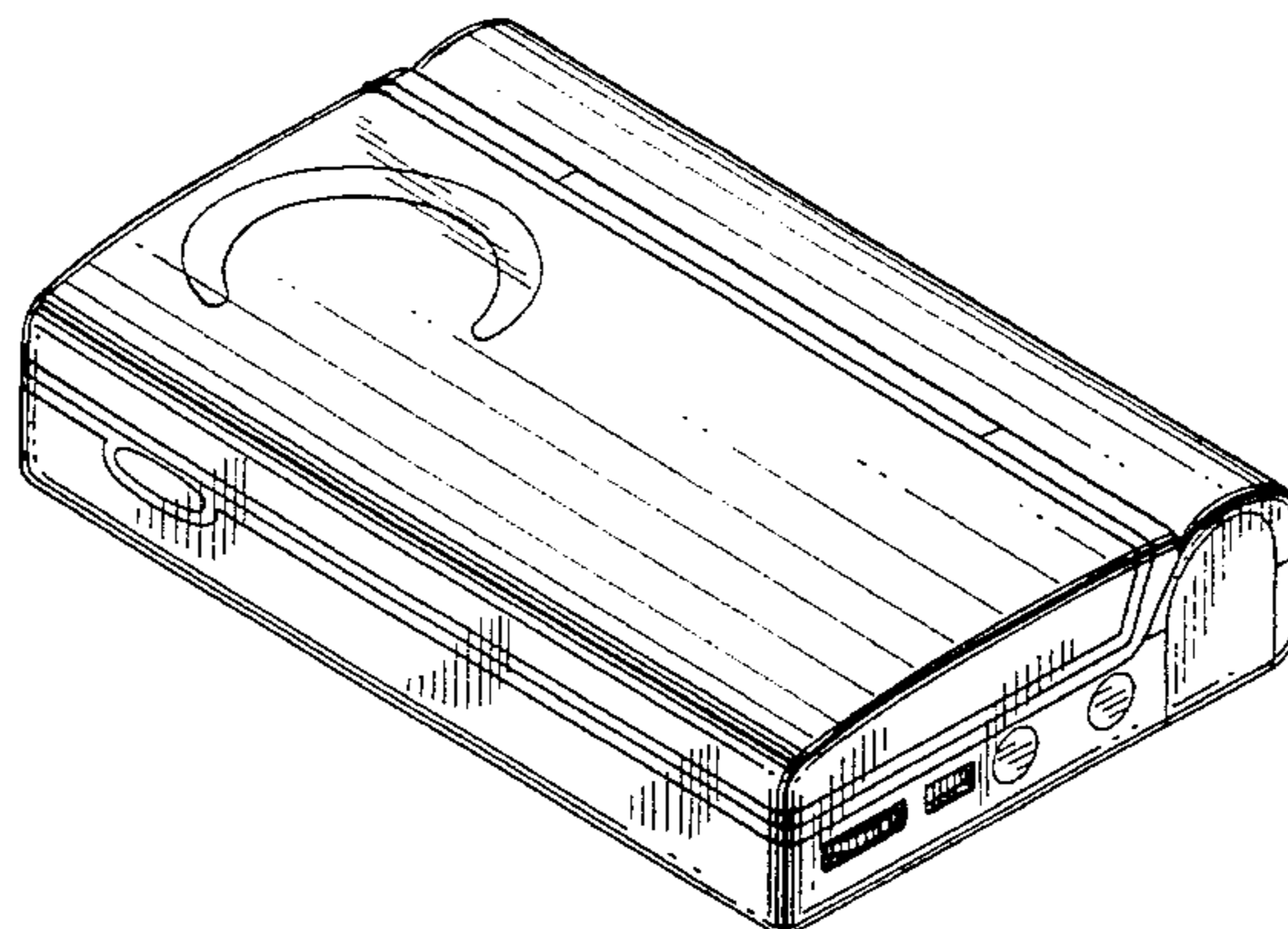
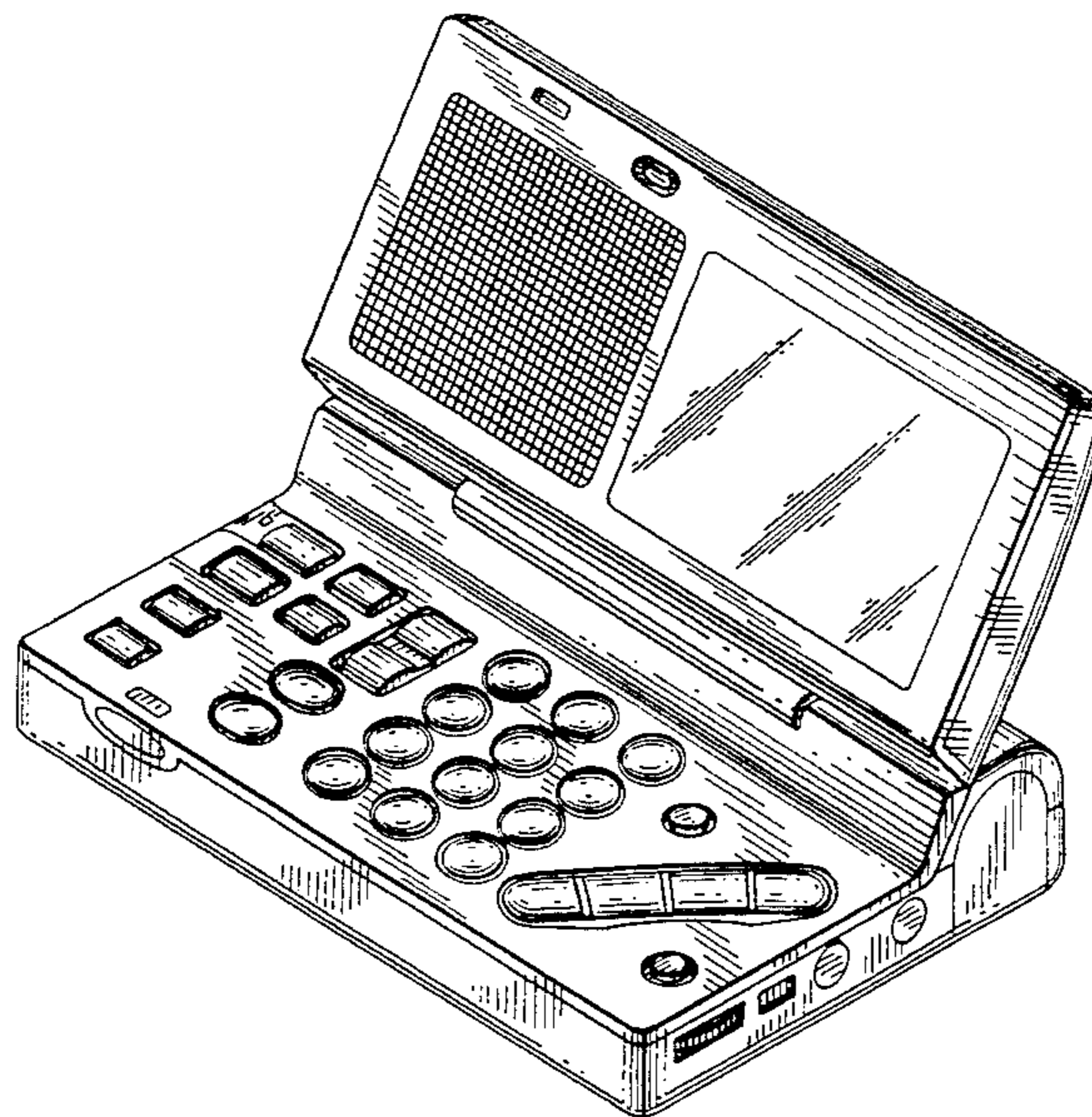


FIG. 1

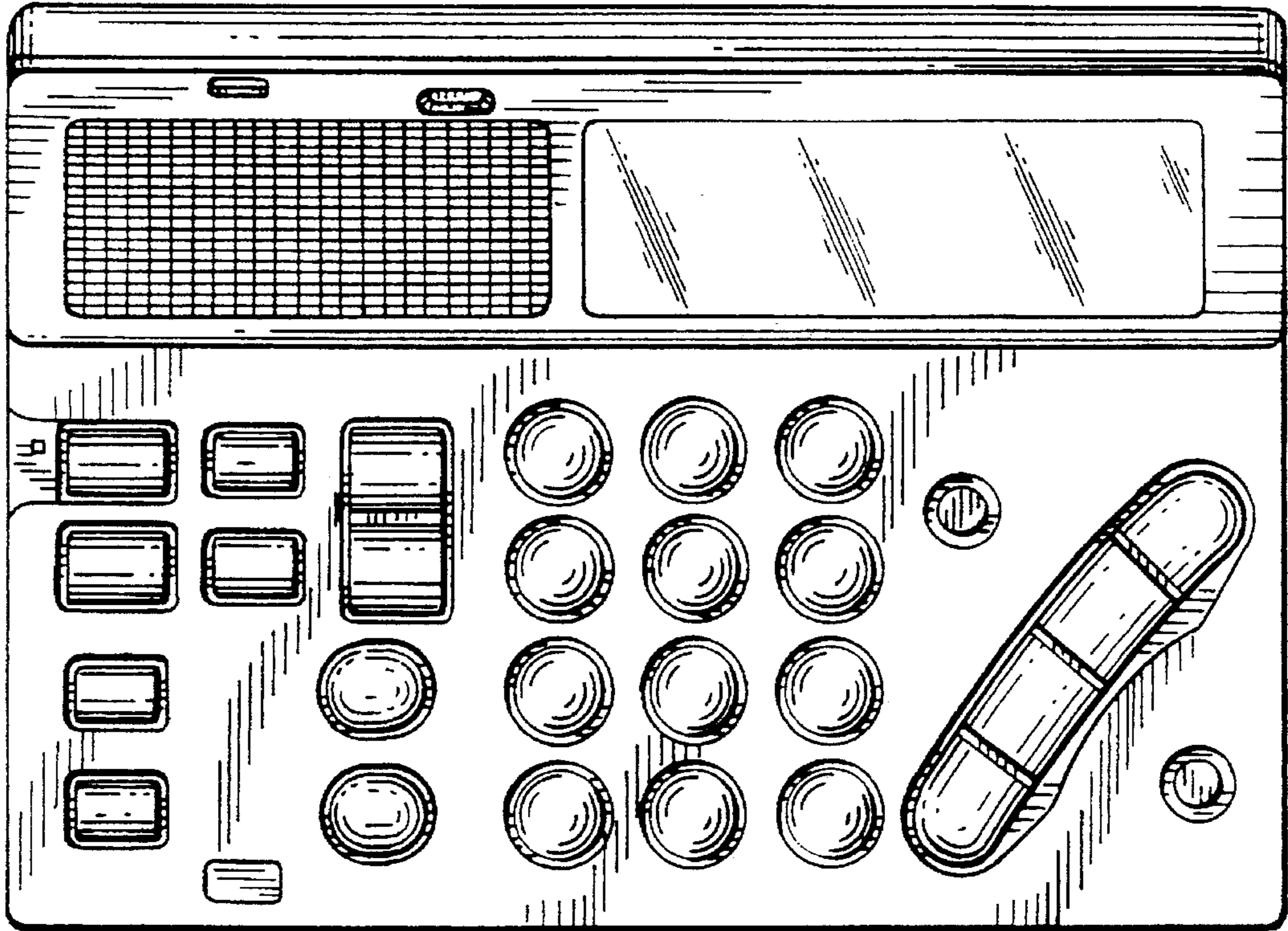


FIG. 2

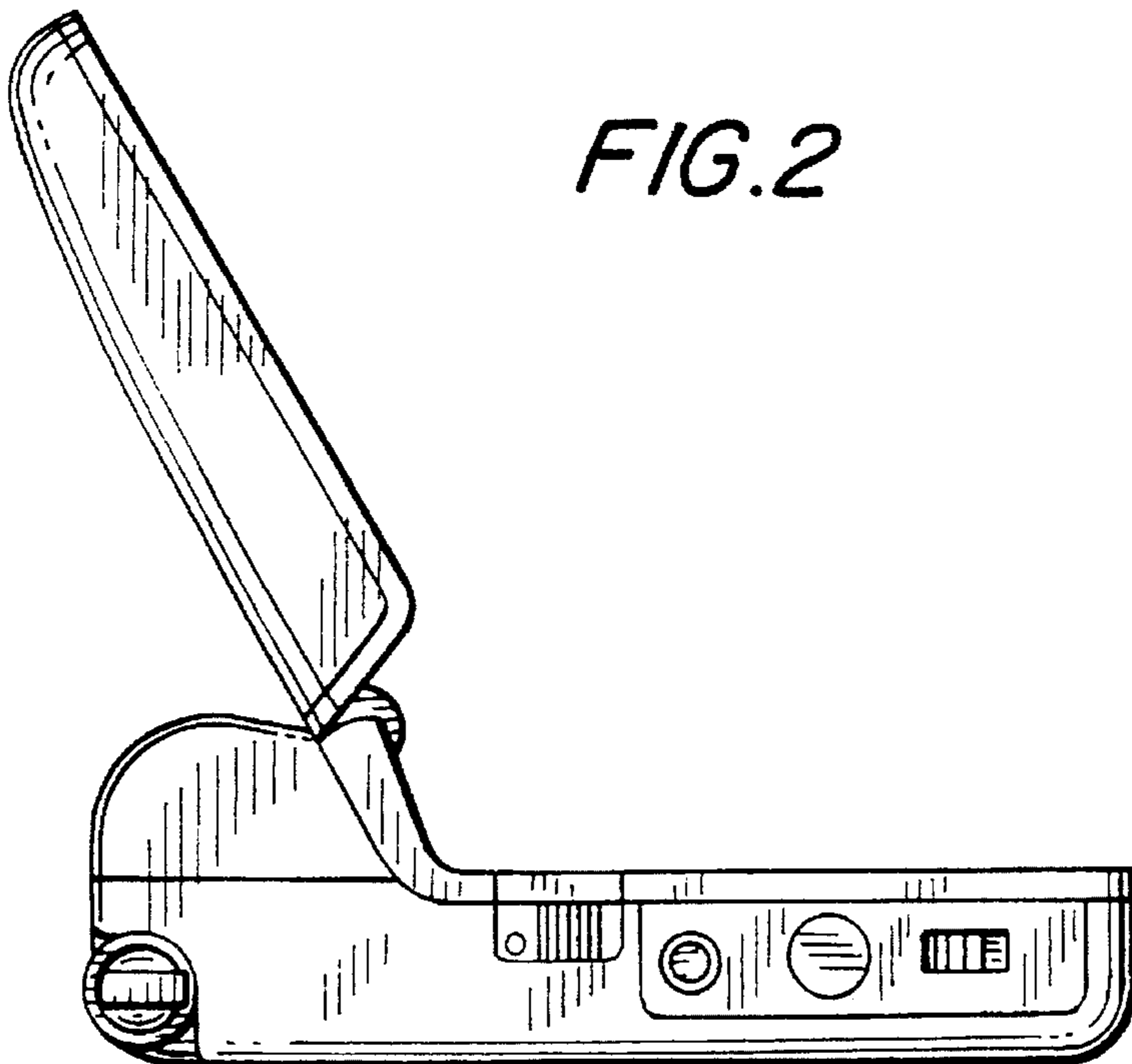


FIG. 3

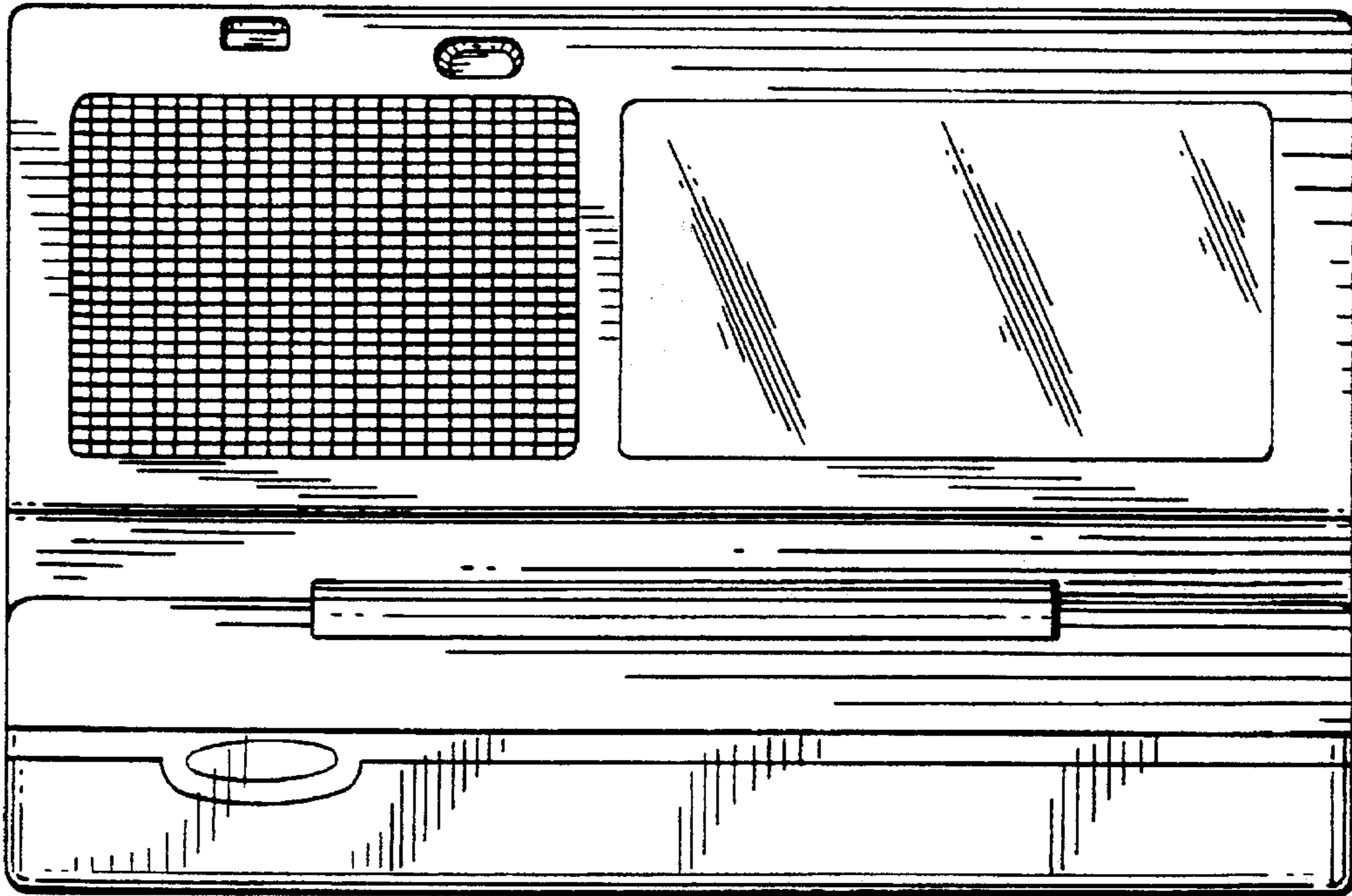


FIG. 4

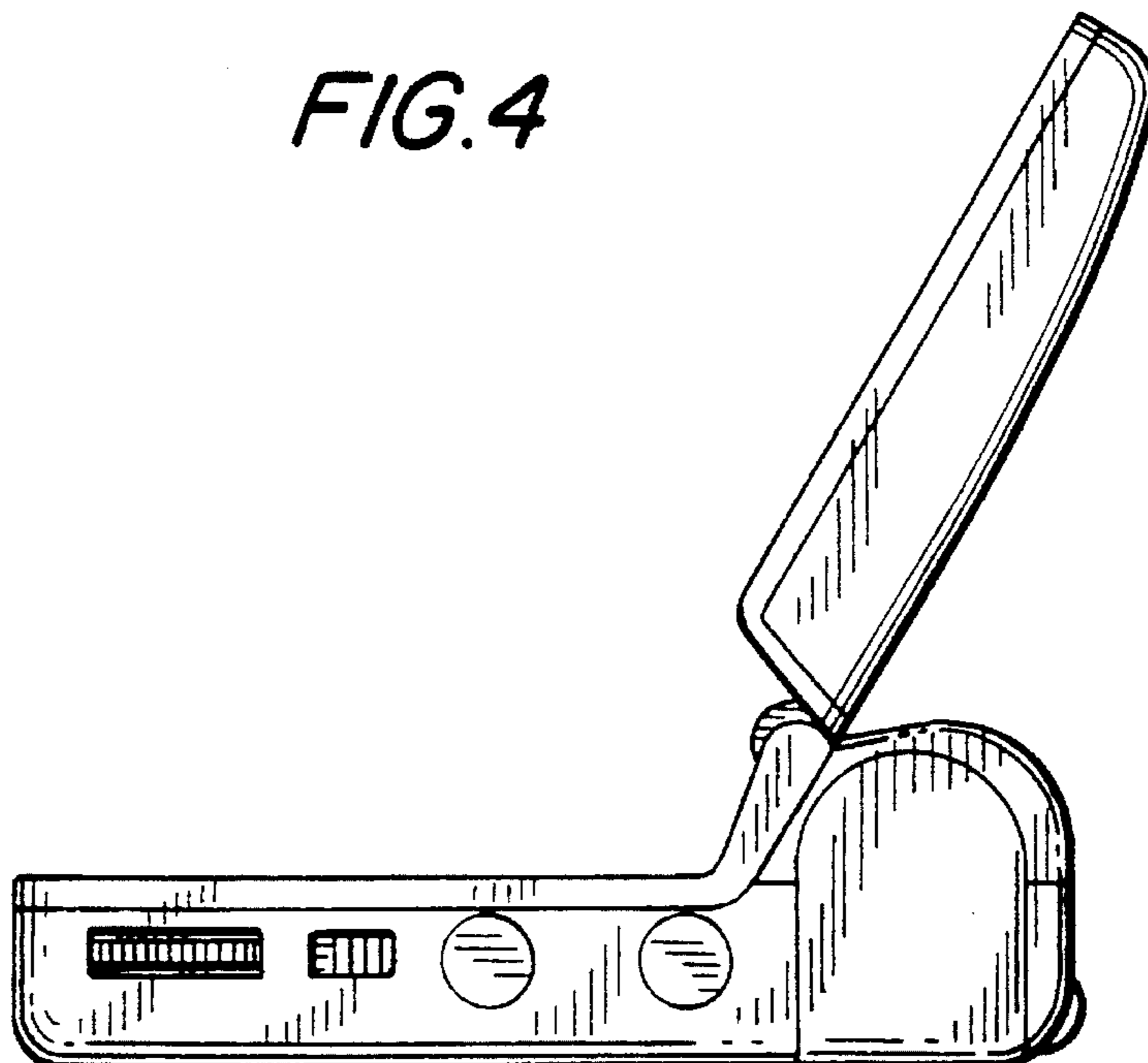


FIG. 5

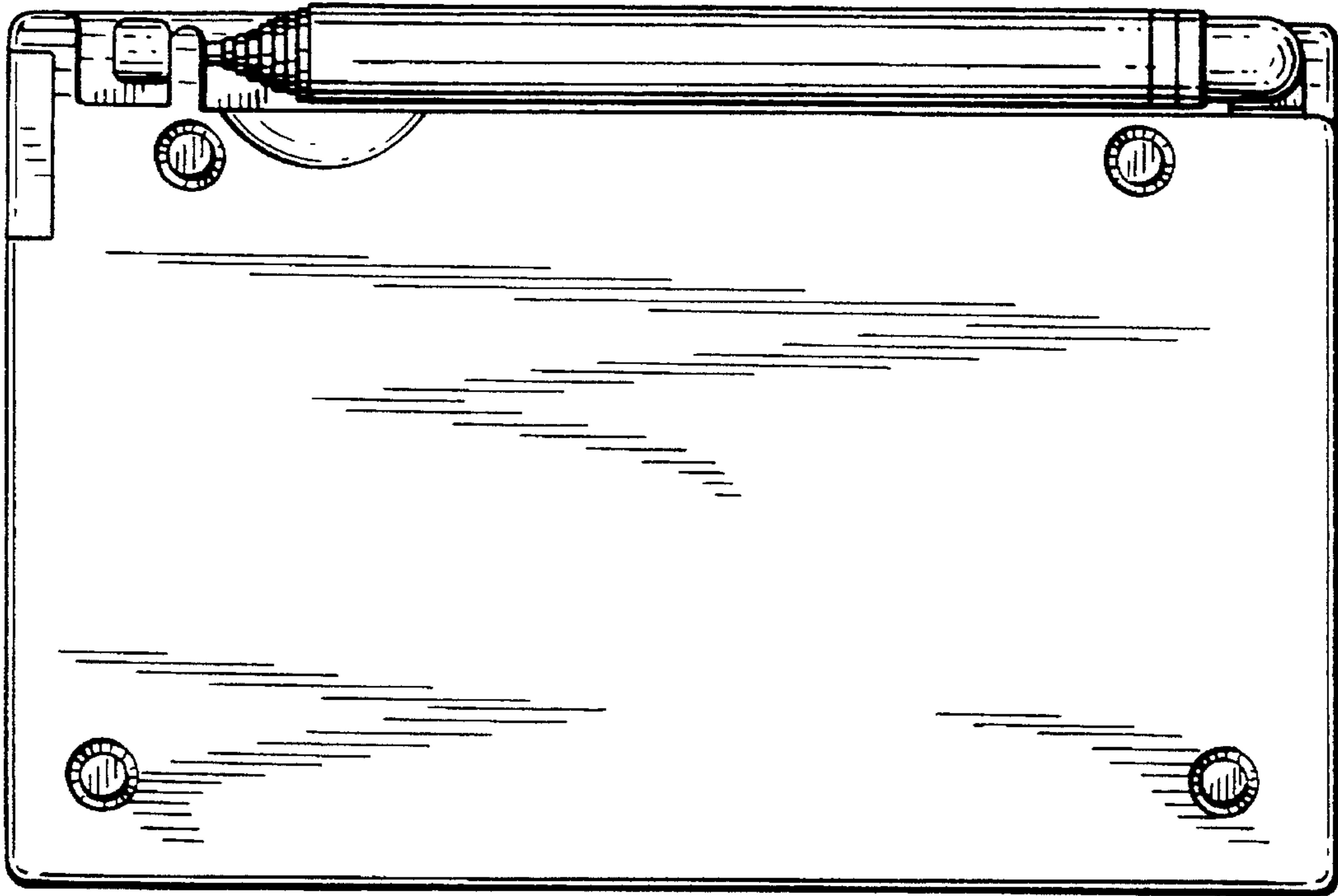


FIG. 6

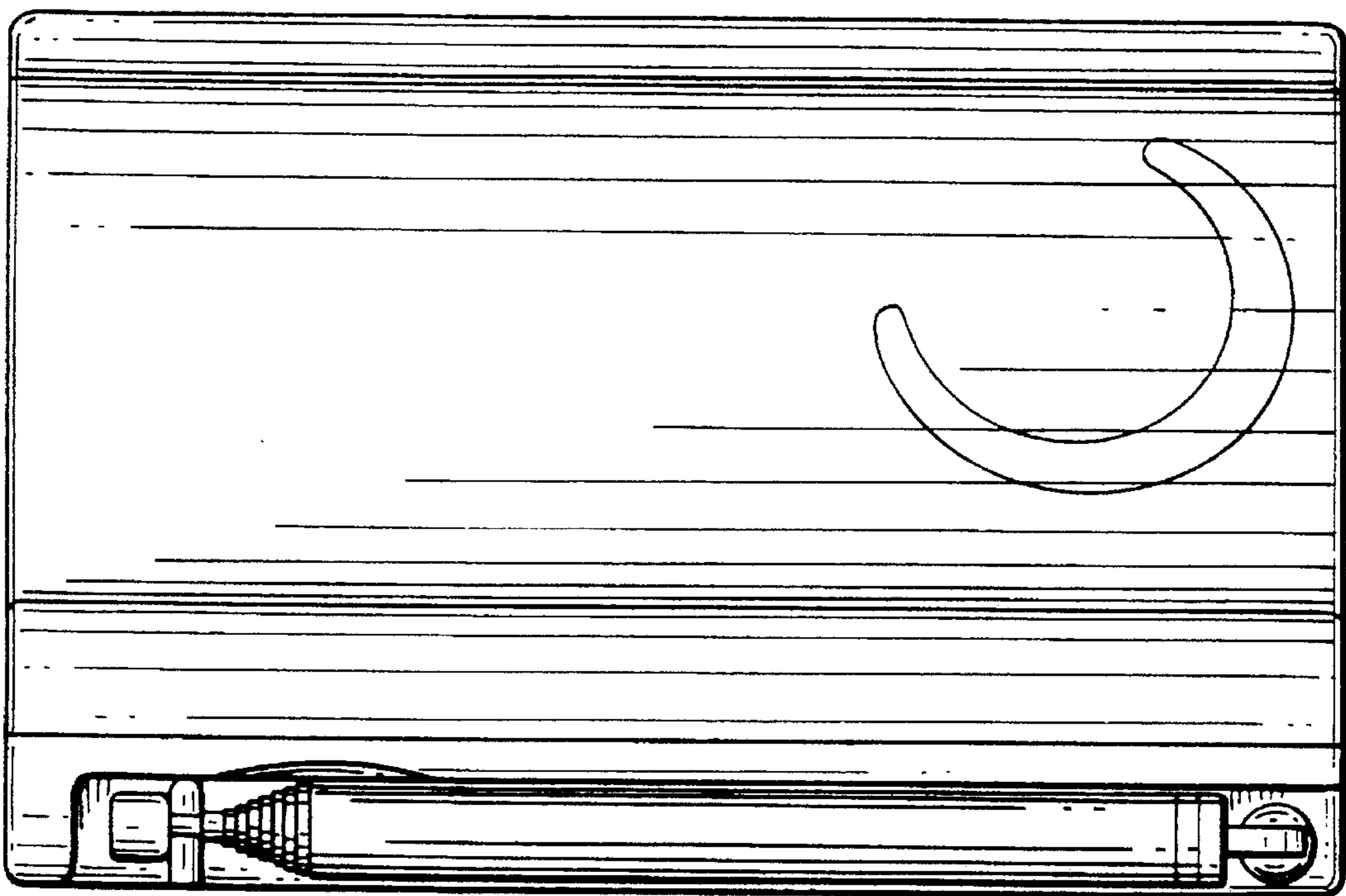
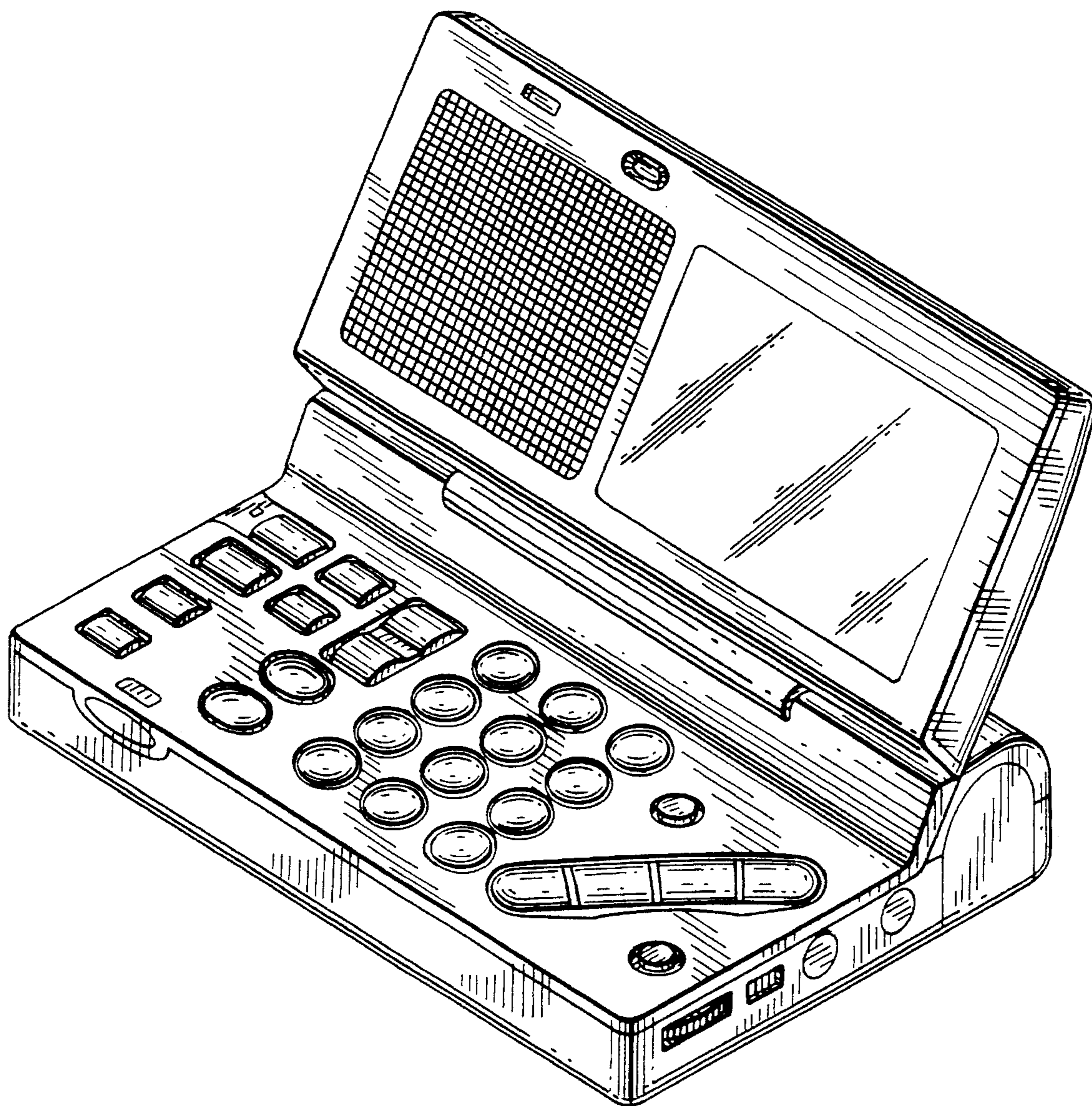


FIG. 7



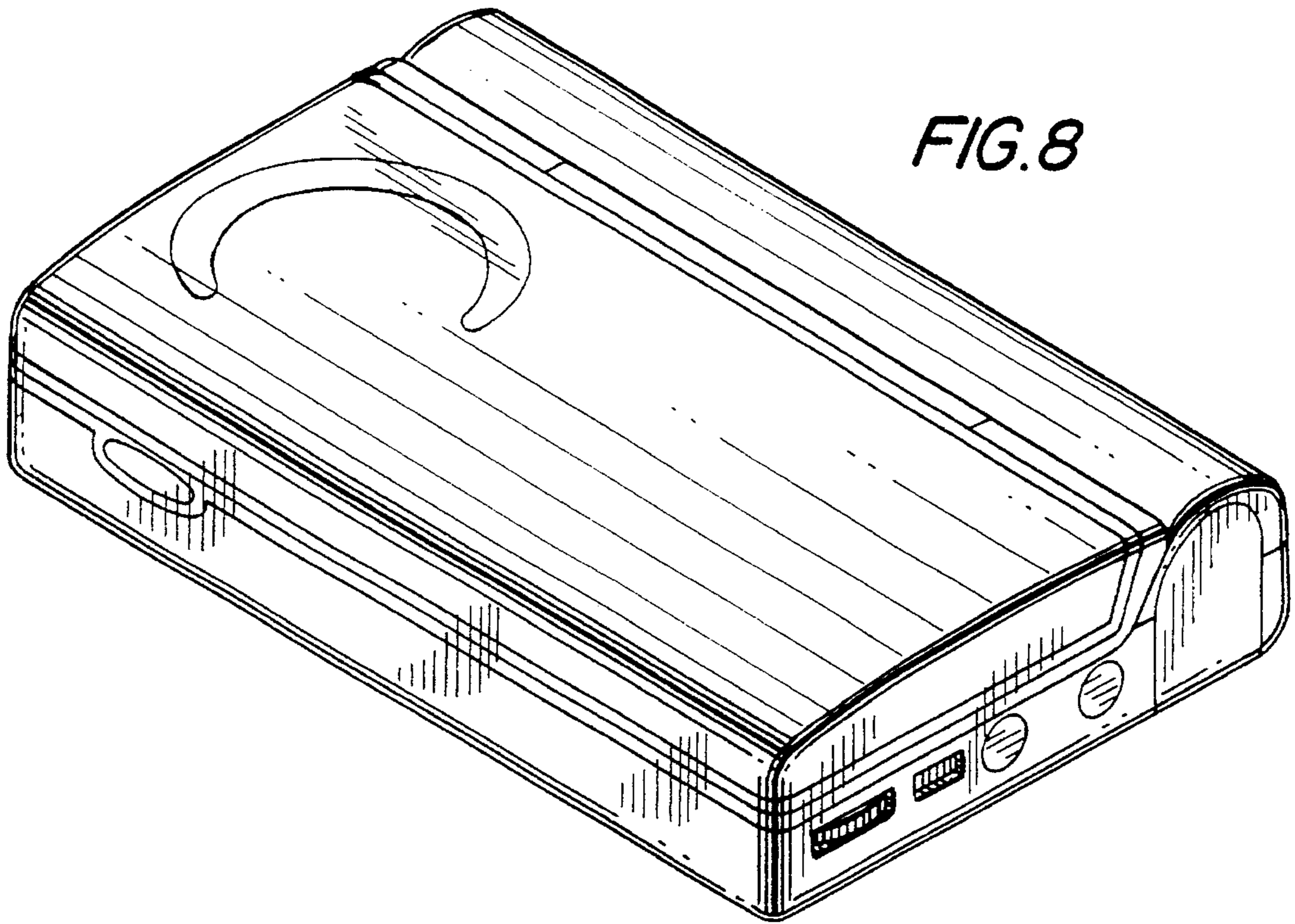


FIG. 9

