



US00D371358S

United States Patent [19]

Yamagishi et al.

[11] Patent Number: **Des. 371,358**

[45] Date of Patent: ****Jul. 2, 1996**

[54] VIDEO DISC PLAYER

[75] Inventors: **Yoshinobu Yamagishi; Yoshinori Yamada**, both of Tokyo, Japan

[73] Assignee: **Sony Corporation**, Japan

[**] Term: **14 Years**

[21] Appl. No.: **34,193**

[22] Filed: **Jan. 30, 1995**

[30] Foreign Application Priority Data

Jul. 28, 1994 [JP] Japan 6-22725

[52] U.S. Cl. **D14/136**

[58] Field of Search D14/124, 135,
D14/136, 156, 299

[56] References Cited

U.S. PATENT DOCUMENTS

D. 329,050 9/1992 Ito et al. D14/156
D. 357,246 4/1995 Tanaka D14/135

Primary Examiner—Terry A. Wallace
Assistant Examiner—Richelle Shelton
Attorney, Agent, or Firm—Beveridge, DeGrandi, Weilacher & Young

[57] CLAIM

The ornamental design for a video disc player, as shown and described.

DESCRIPTION

FIG. 1 is a perspective view of the video disc player; FIG. 2 is a top plan view of the video disc player; FIG. 3 is a front elevational view of the video disc player; FIG. 4 is a right side elevational view of the video disc player; FIG. 5 is a rear elevational view of the video disc player; FIG. 6 is a left side elevational view of the video disc player; FIG. 7 is a bottom plan view of the video disc player; and, FIG. 8 is a perspective view of the video disc player, the disc tray of which is in the open position.

1 Claim, 3 Drawing Sheets

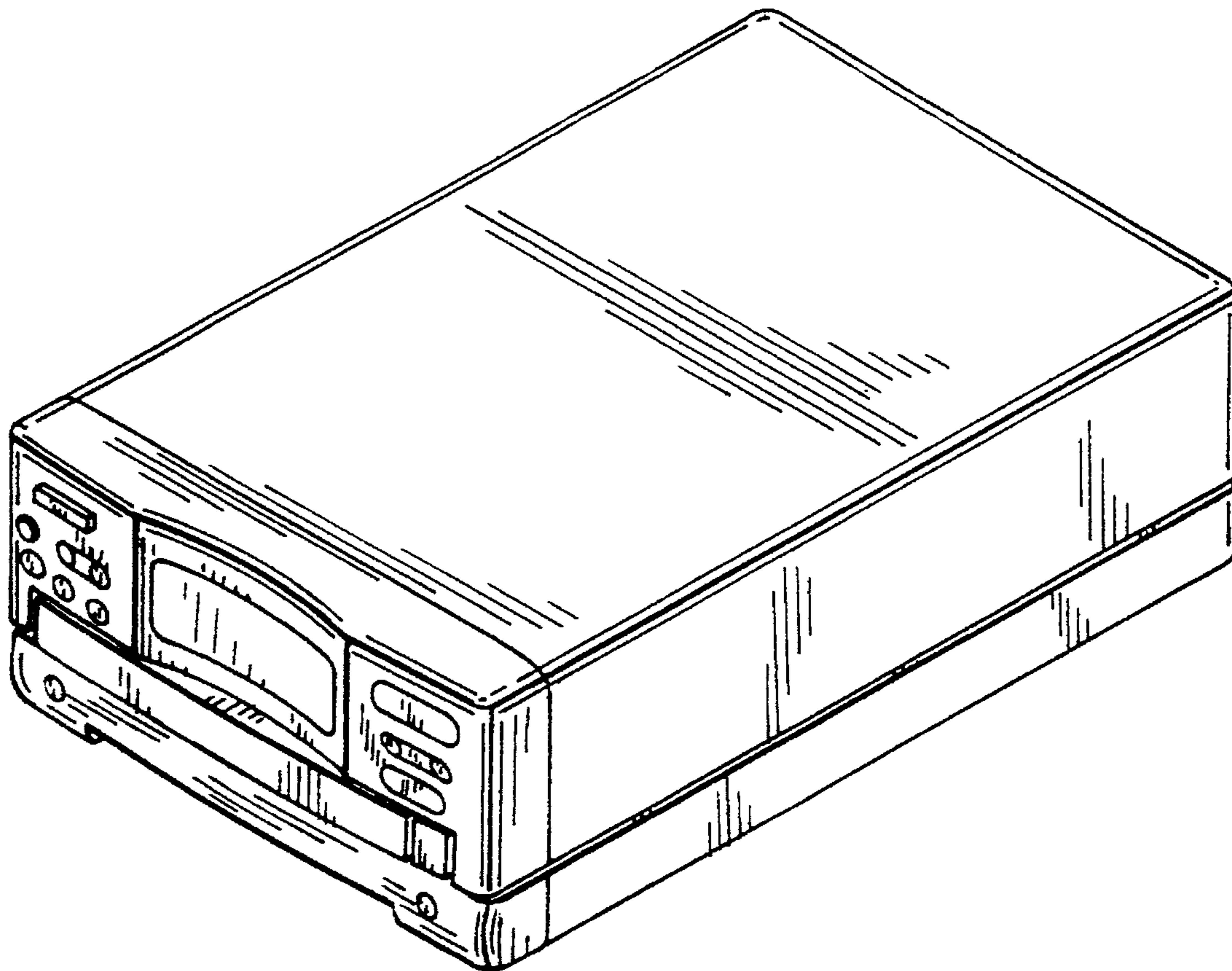


FIG. 2

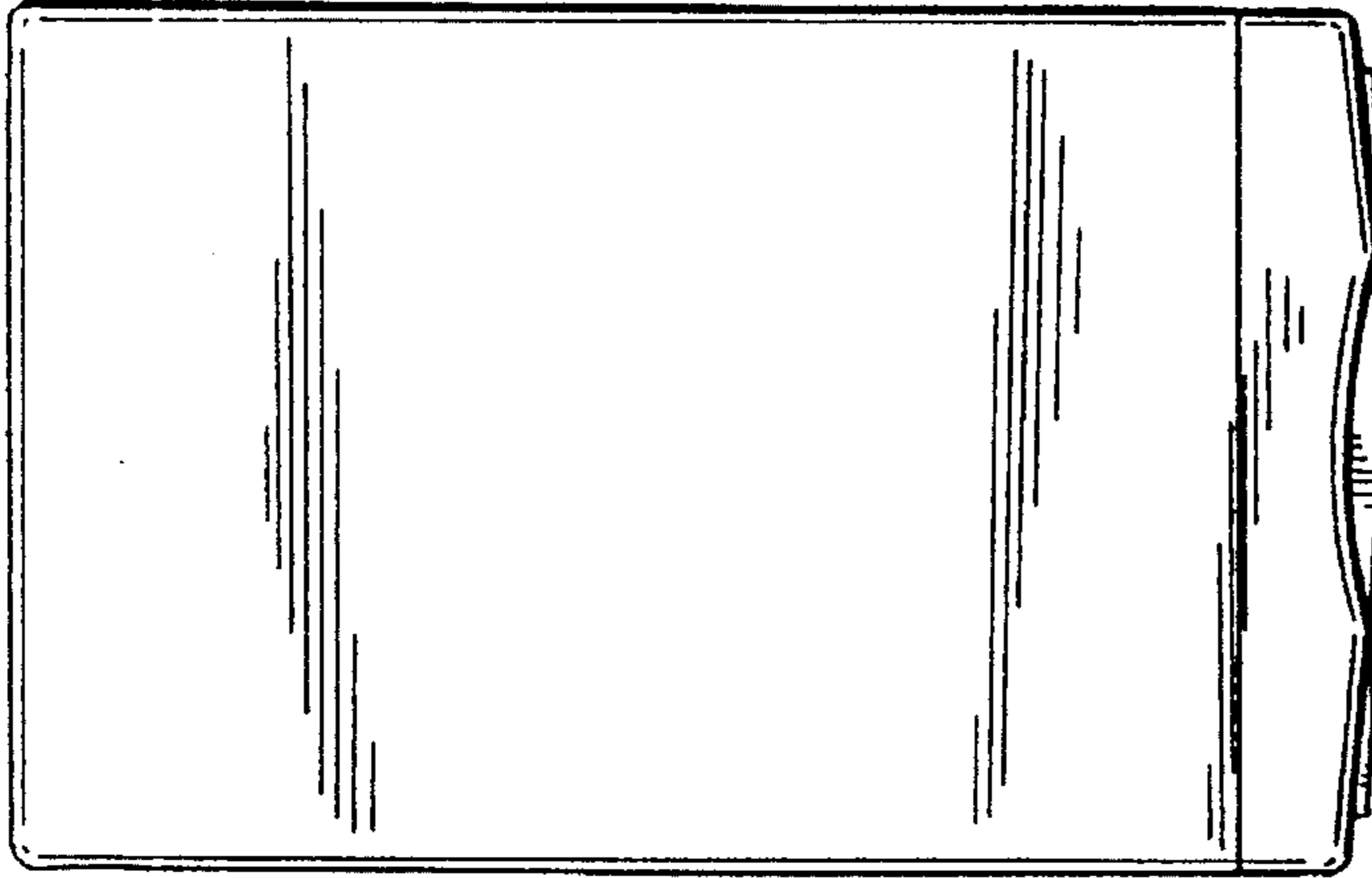


FIG. 3

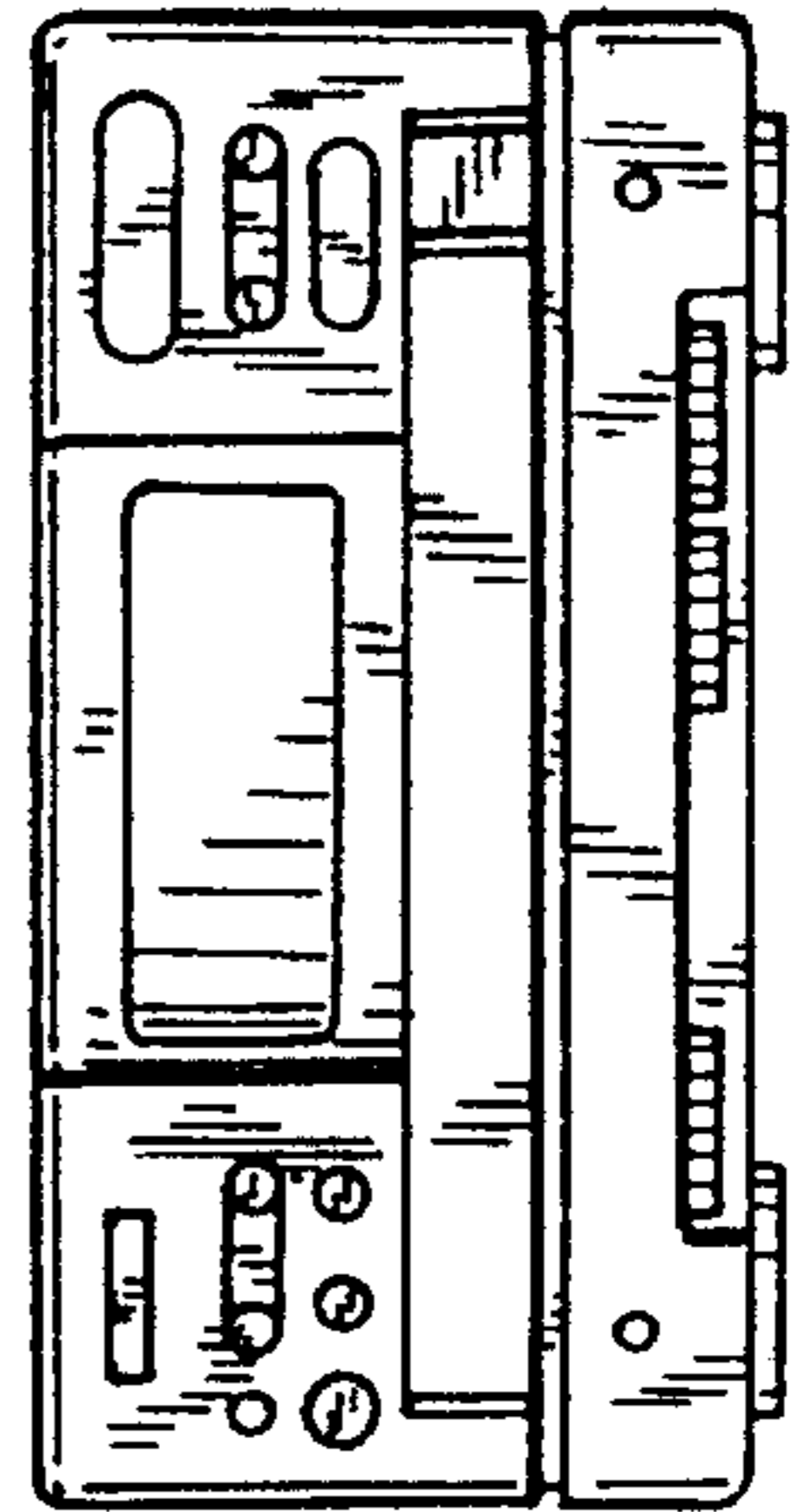


FIG. 1

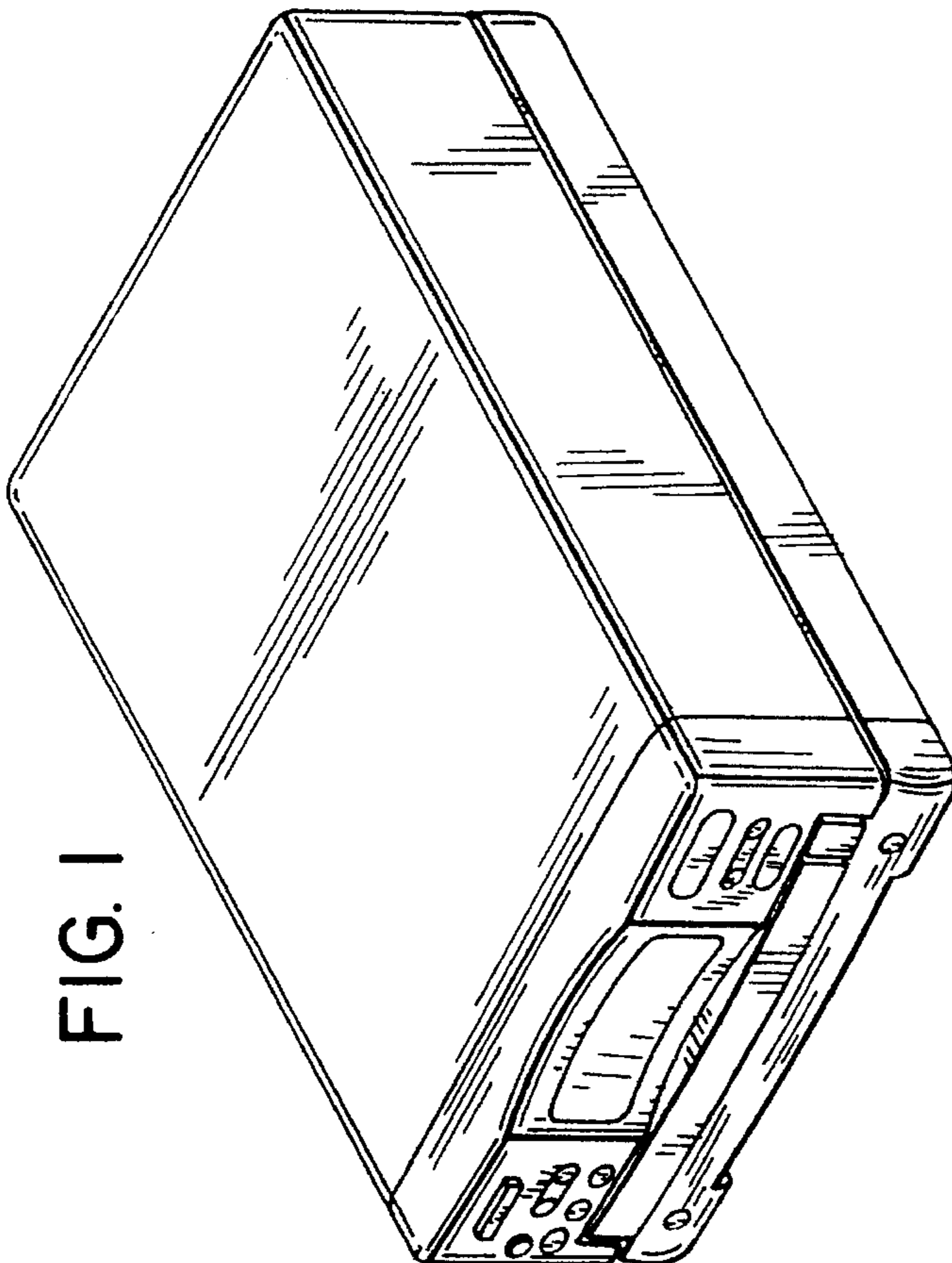


FIG. 5

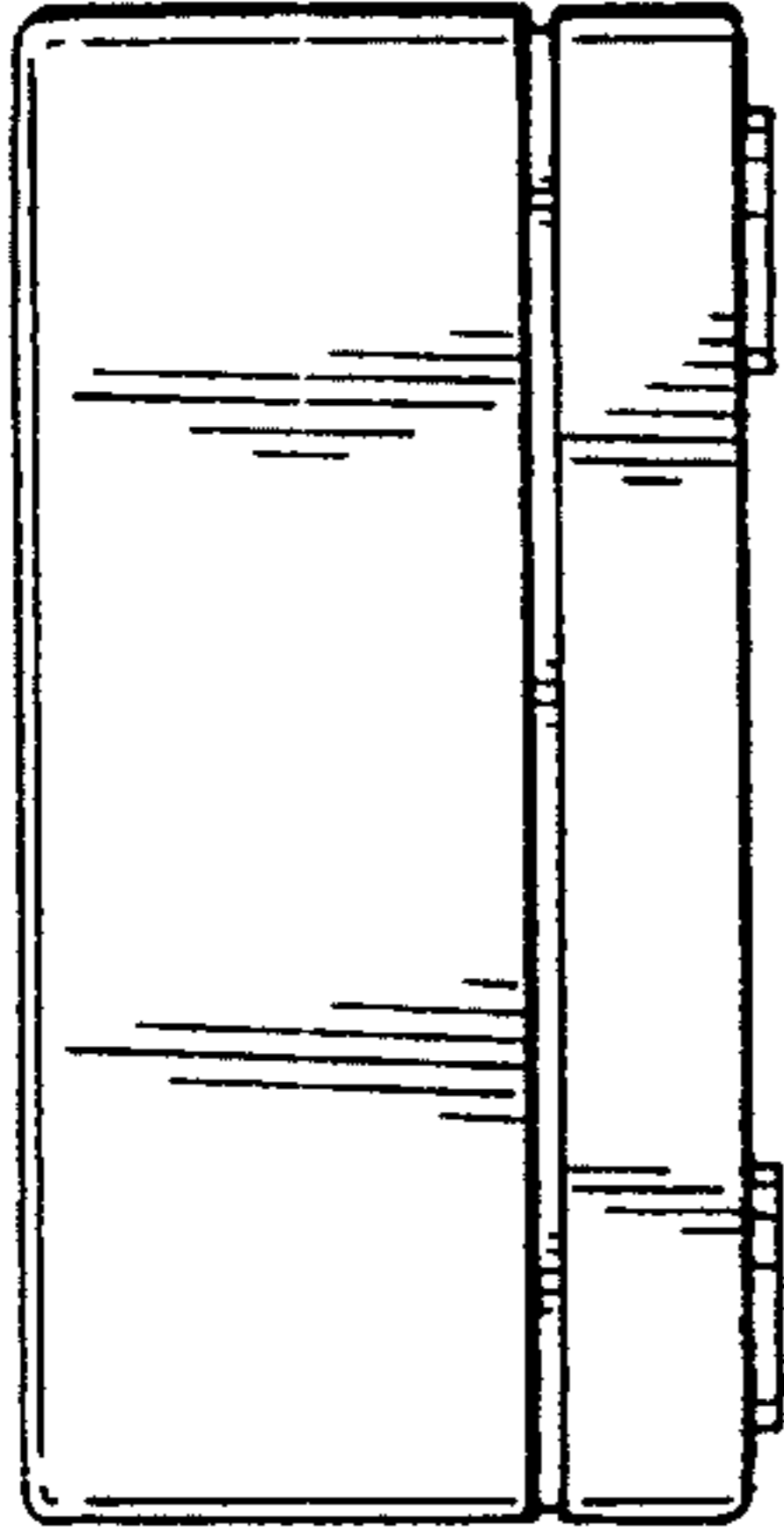


FIG. 7

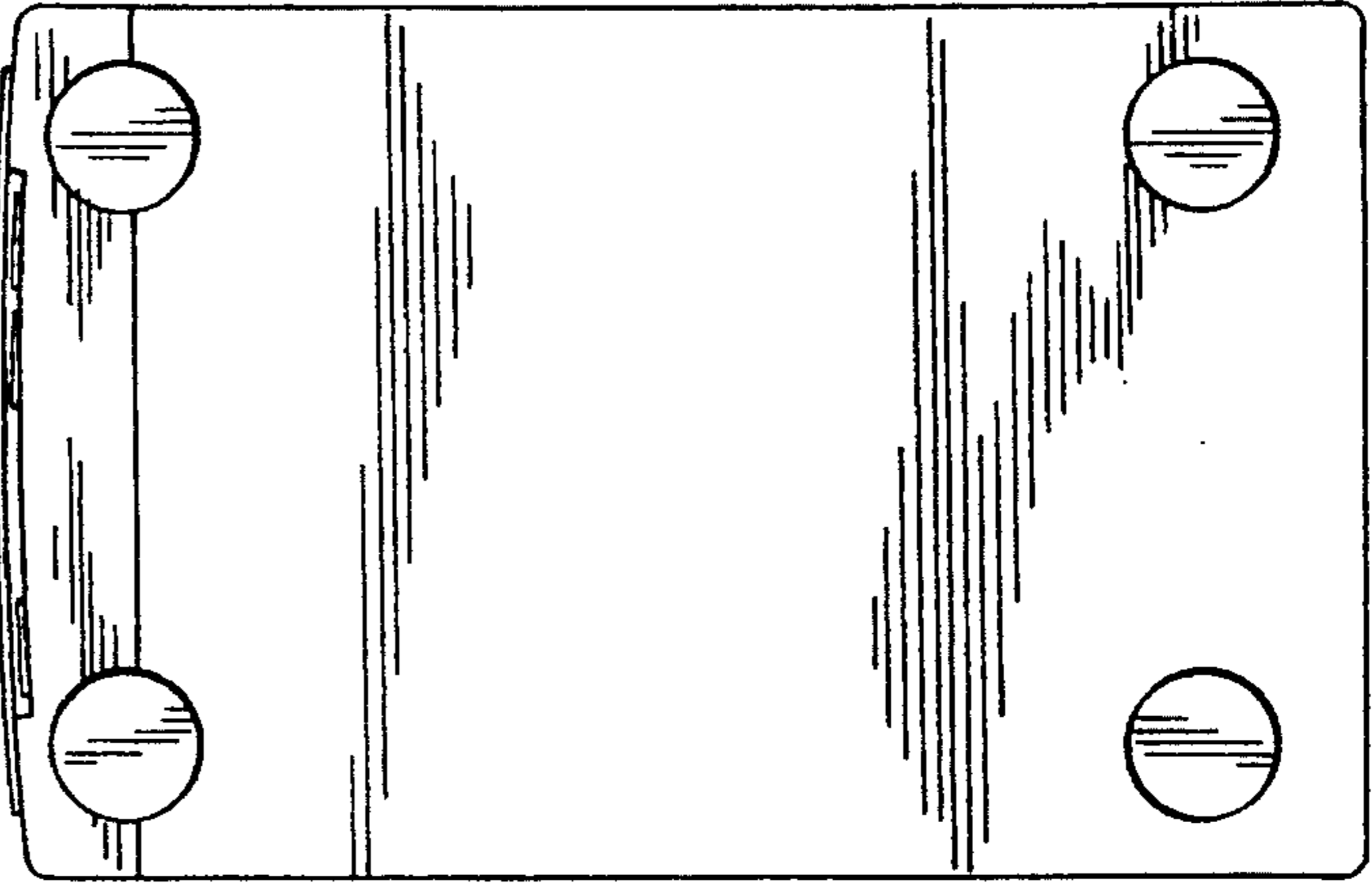


FIG. 4

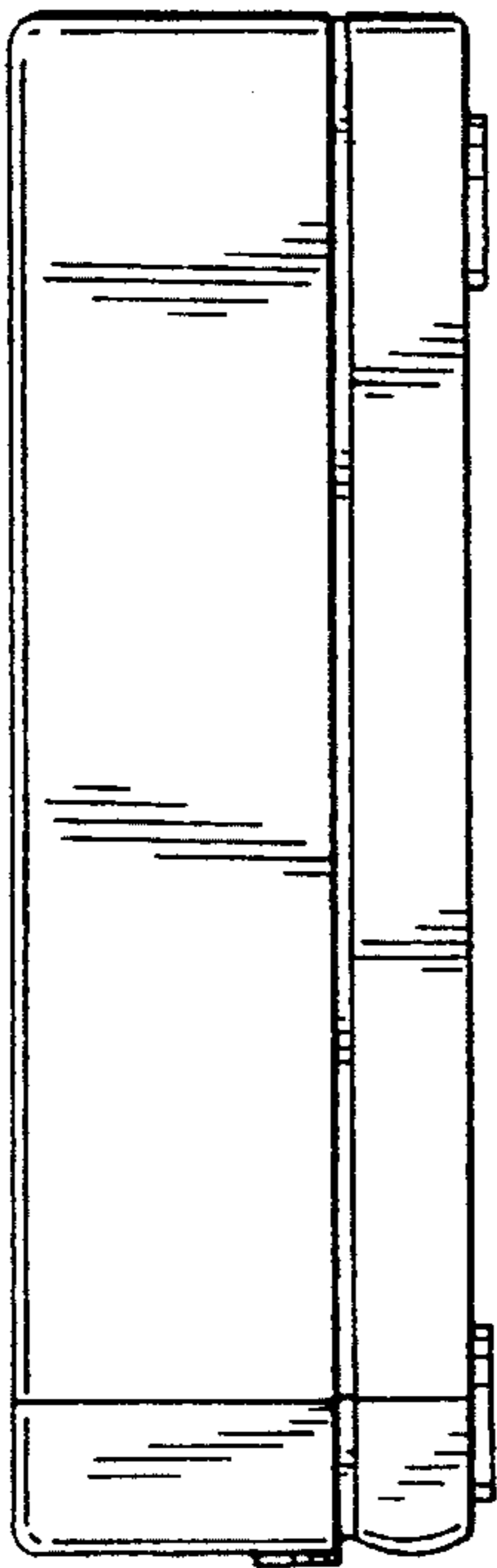


FIG. 6

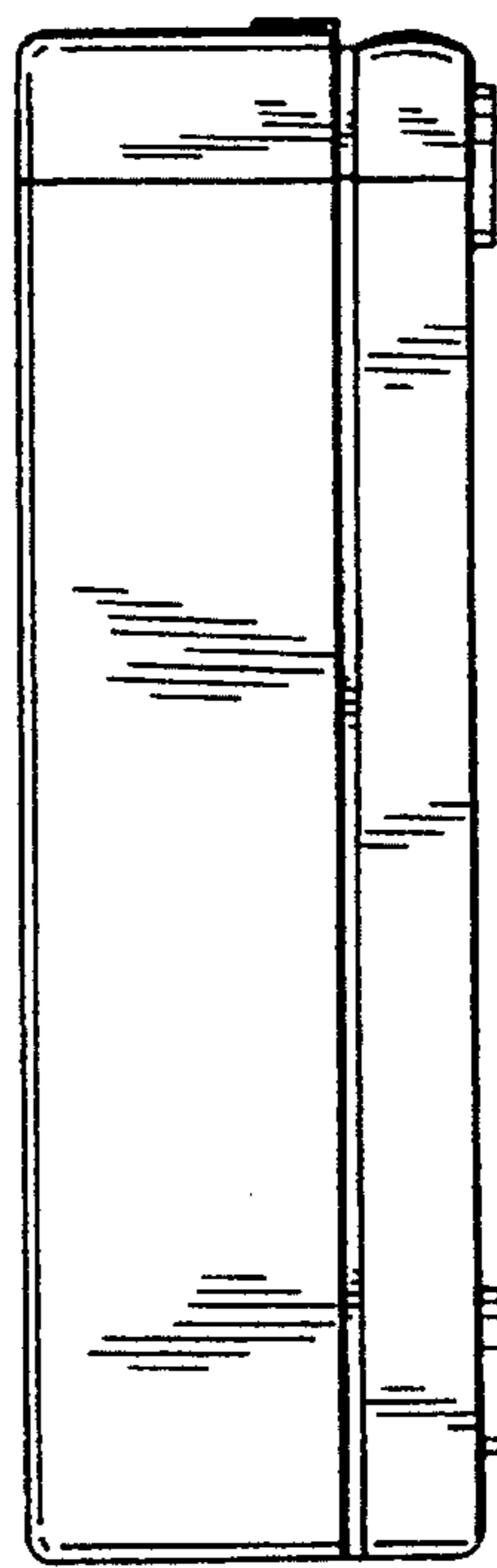


FIG. 8

