



US00D371357S

# United States Patent [19]

Nakamura

[11] Patent Number: **Des. 371,357**

[45] Date of Patent: **\*\*Jul. 2, 1996**

[54] TELEVISION FOR A DIGITAL VIDEO DISC PLAYER

[75] Inventor: **Mitsuhiro Nakamura**, Tokyo, Japan

[73] Assignee: **Sony Corporation**, Japan

[\*\*] Term: **14 Years**

[21] Appl. No.: **36,197**

[22] Filed: **Mar. 15, 1995**

[52] U.S. Cl. .... **D14/136**

[58] Field of Search ..... D14/113, 124-134;  
348/825, 836, 838, 790-794

[56] **References Cited**

**U.S. PATENT DOCUMENTS**

D. 316,714	5/1991	Matsumoto	.....	D14/126
D. 339,139	9/1993	Jones et al.	.....	D14/130 X
D. 342,501	12/1993	Saeki et al.	.....	D14/126
4,525,746	6/1985	Mangold et al.	.....	348/838
4,633,323	12/1986	Haberkern et al.	.....	348/838

*Primary Examiner*—Terry A. Wallace  
*Assistant Examiner*—Richelle Shelton  
*Attorney, Agent, or Firm*—Beveridge, DeGrandi, Weilacher & Young

[57] **CLAIM**

The ornamental design for a television for a digital video disc player, as shown and described.

**DESCRIPTION**

FIG. 1 is a perspective view of a television for a digital video disc player showing my new design;  
FIG. 2 is a perspective view thereof, in the open position;  
FIG. 3 is a left side elevational view thereof;  
FIG. 4 is a top plan view thereof;  
FIG. 5 is a front elevational view thereof;  
FIG. 6 is a bottom plan view thereof;  
FIG. 7 is a right side elevational view thereof;  
FIG. 8 is a rear elevational view thereof; and,  
FIG. 9 is a perspective view of a second embodiment with the views shown in FIGS. 1, 3 and 6-8 as identical hereto.

**1 Claim, 3 Drawing Sheets**

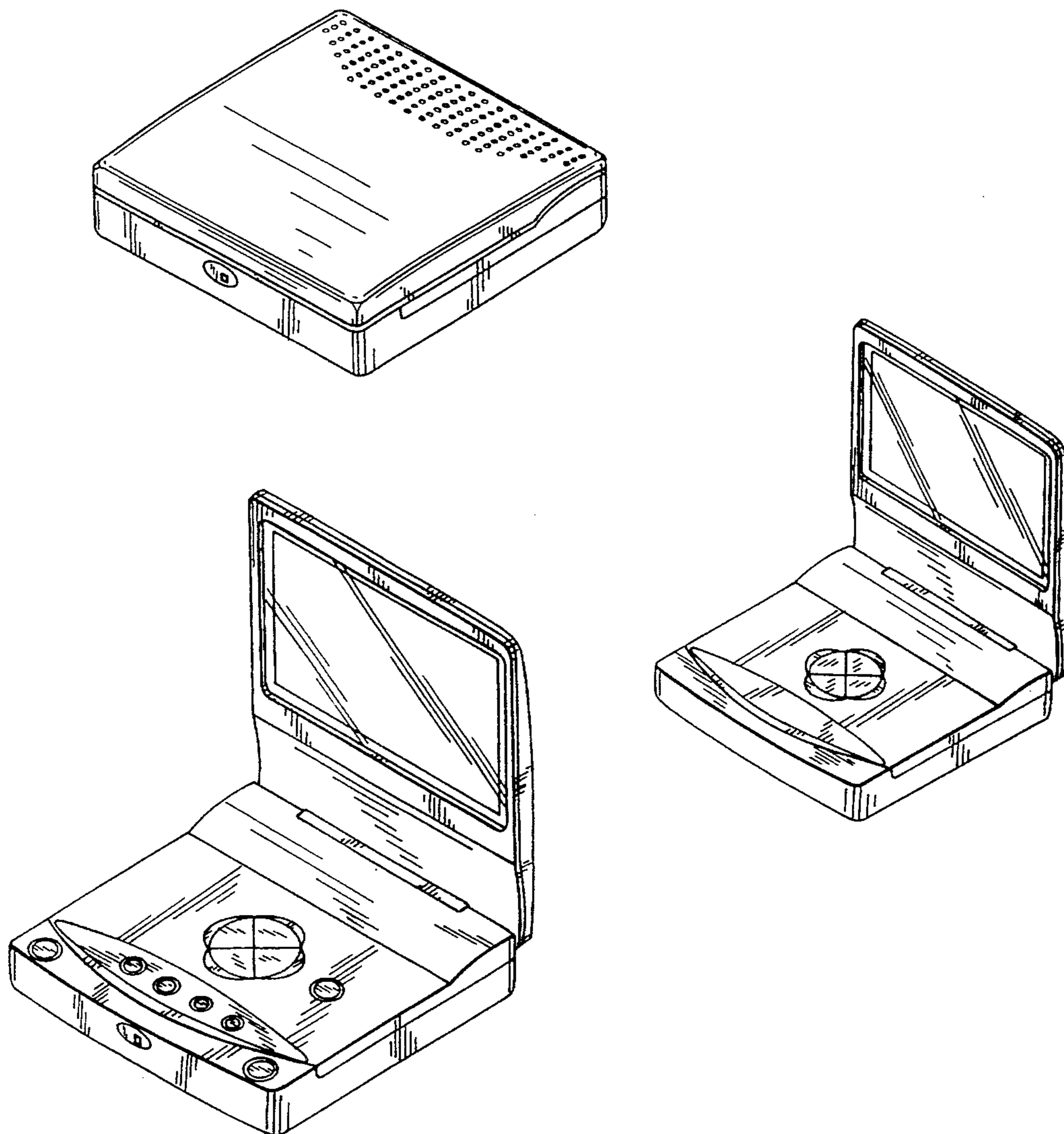


FIG. 1

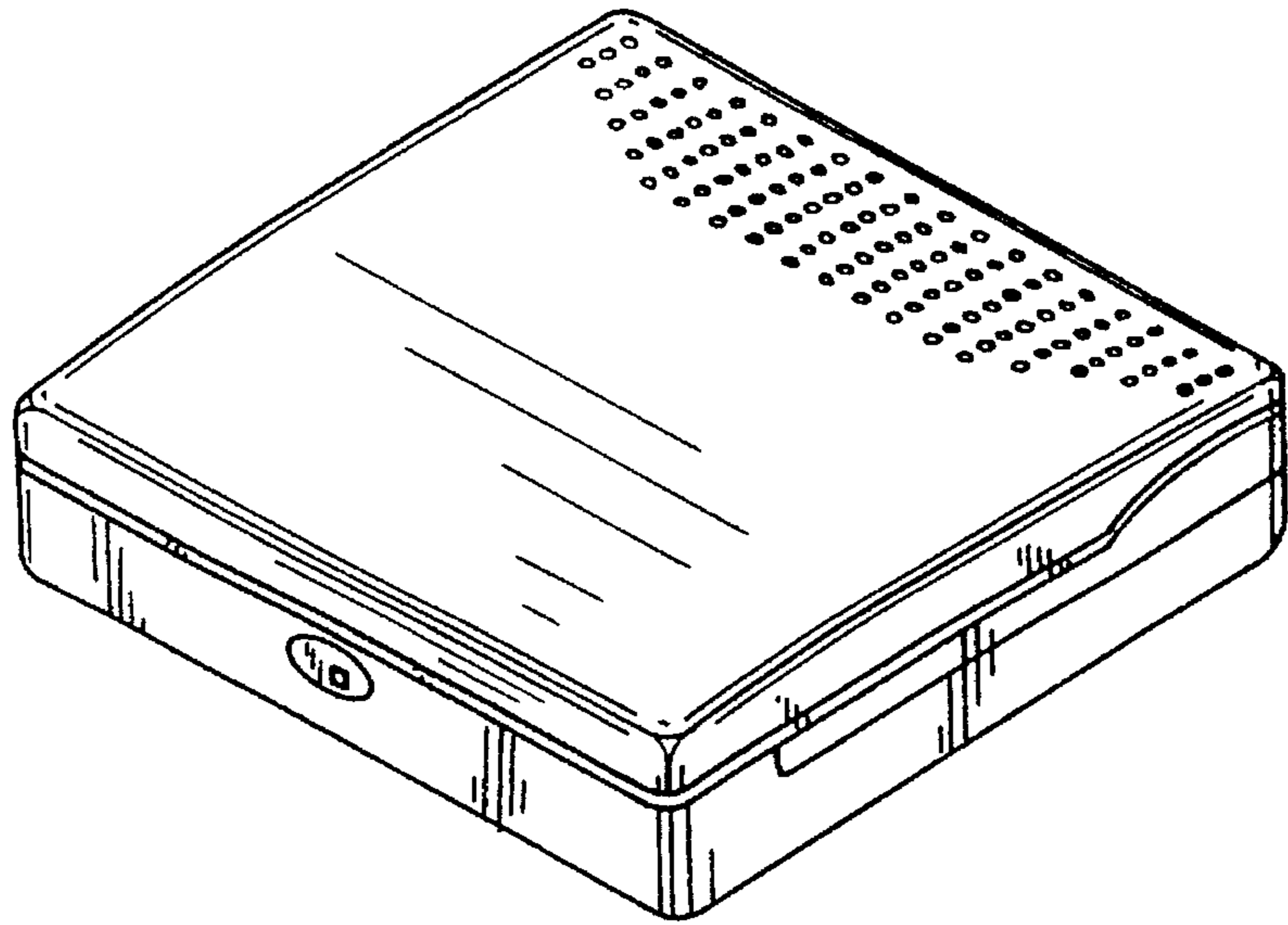


FIG. 2

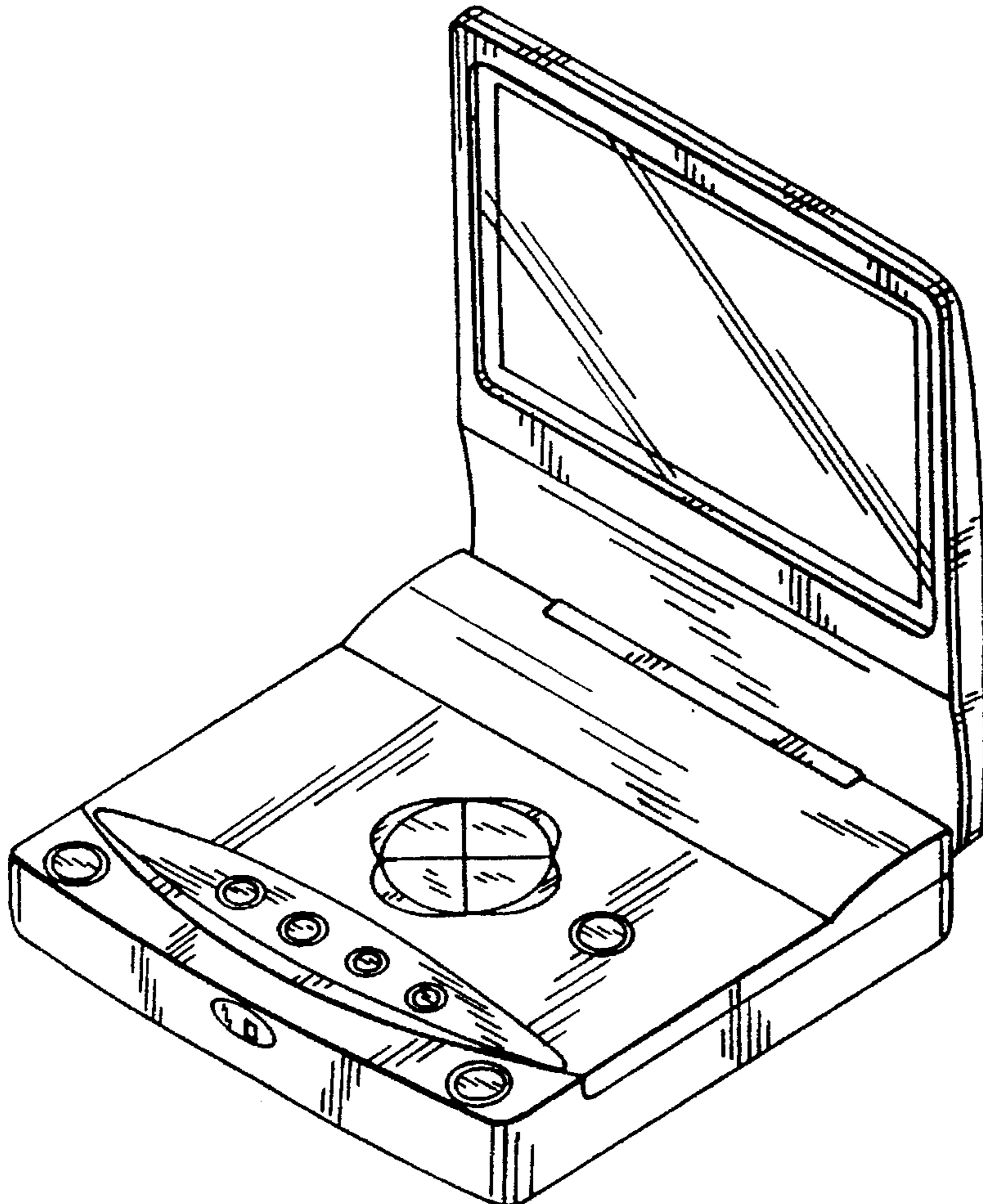


FIG. 3

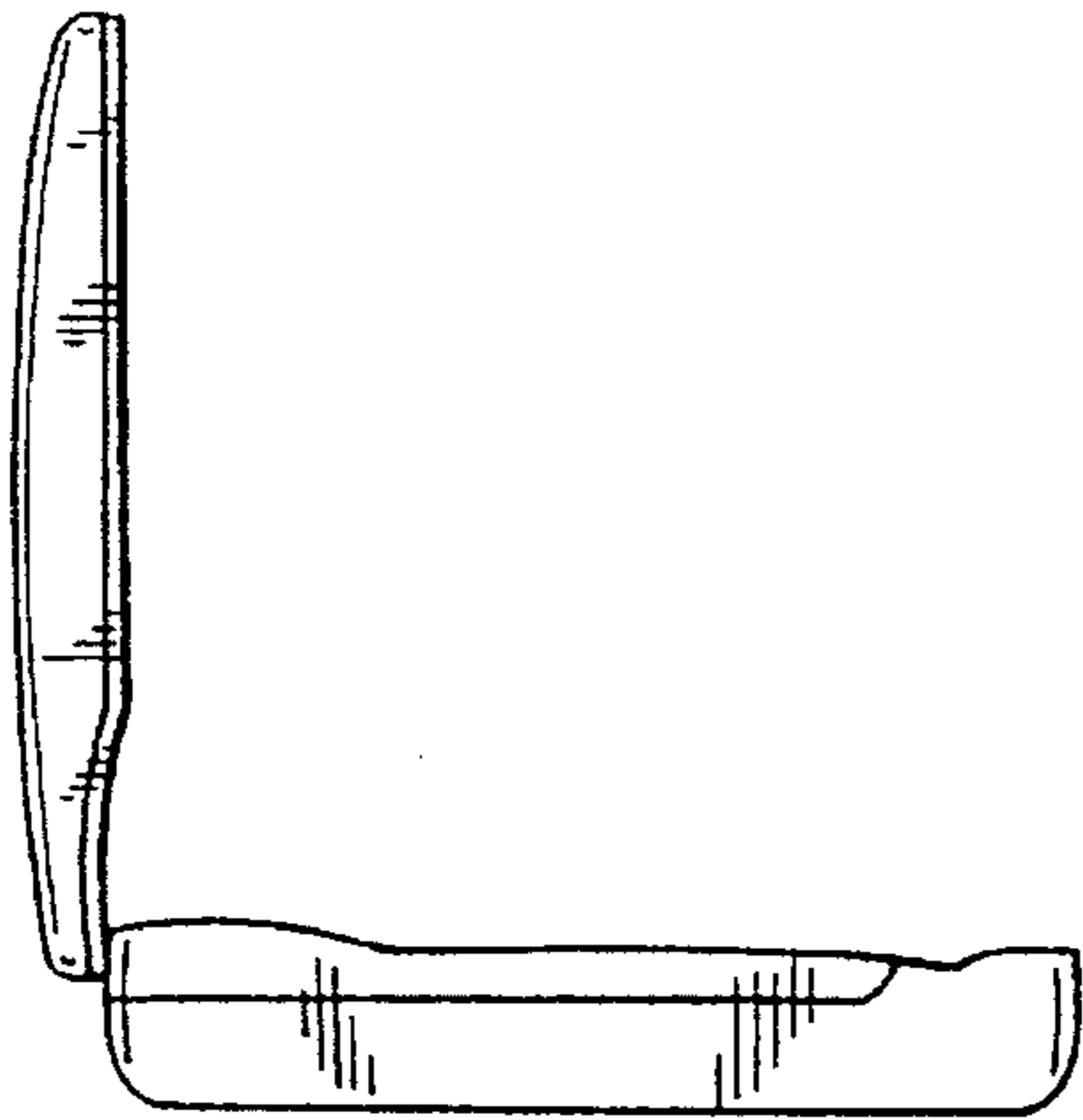


FIG. 4

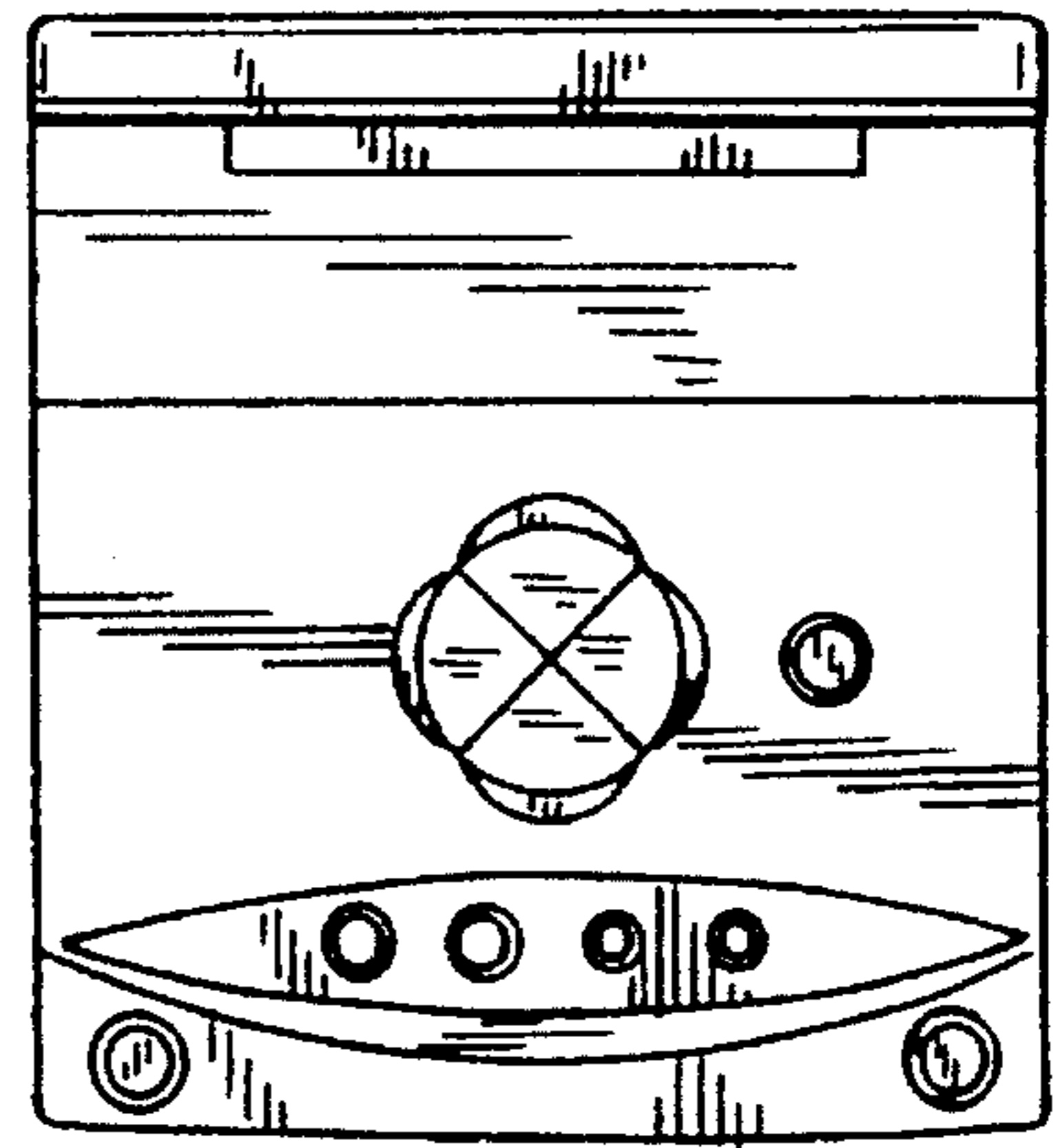


FIG. 5

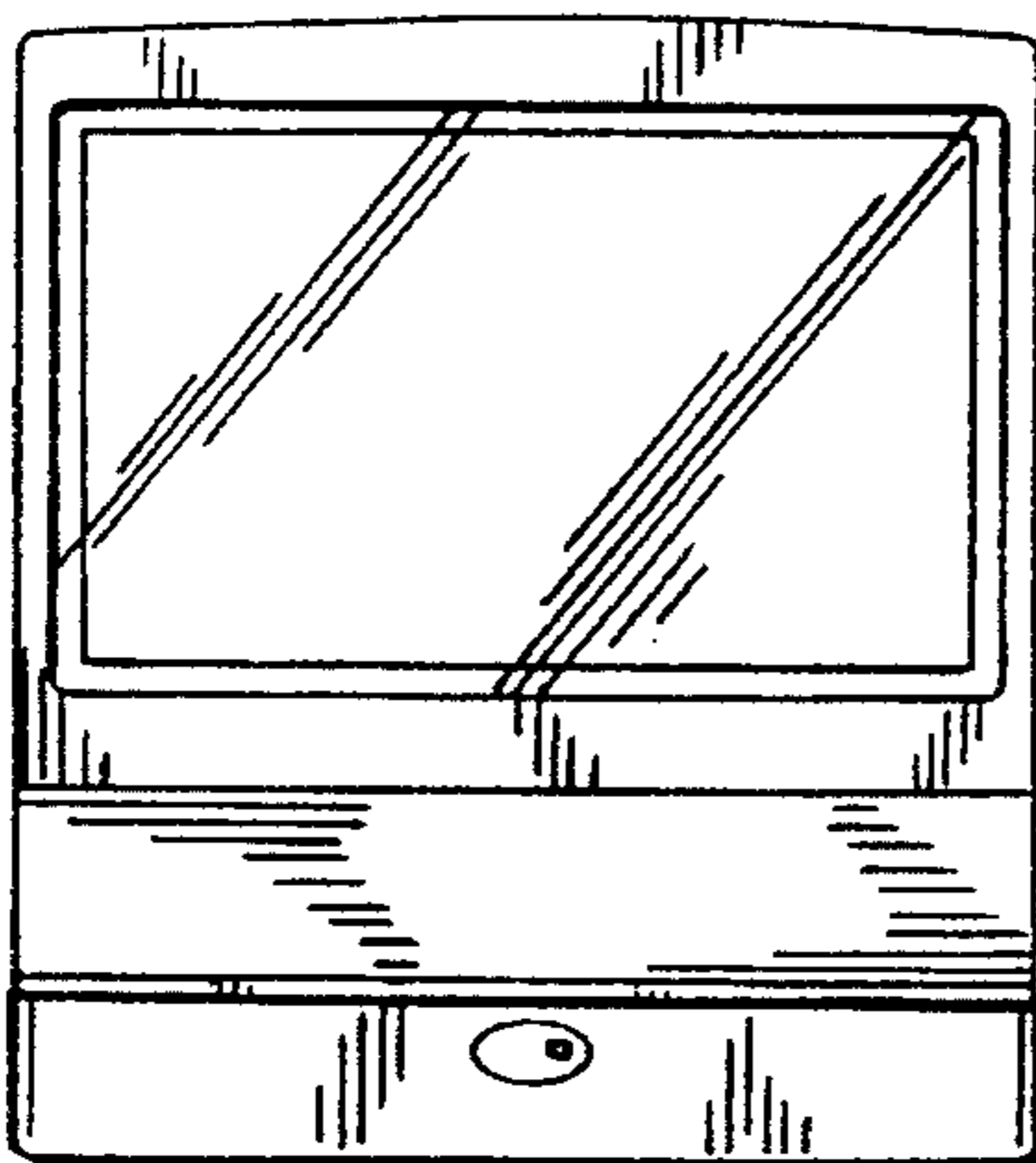


FIG. 6

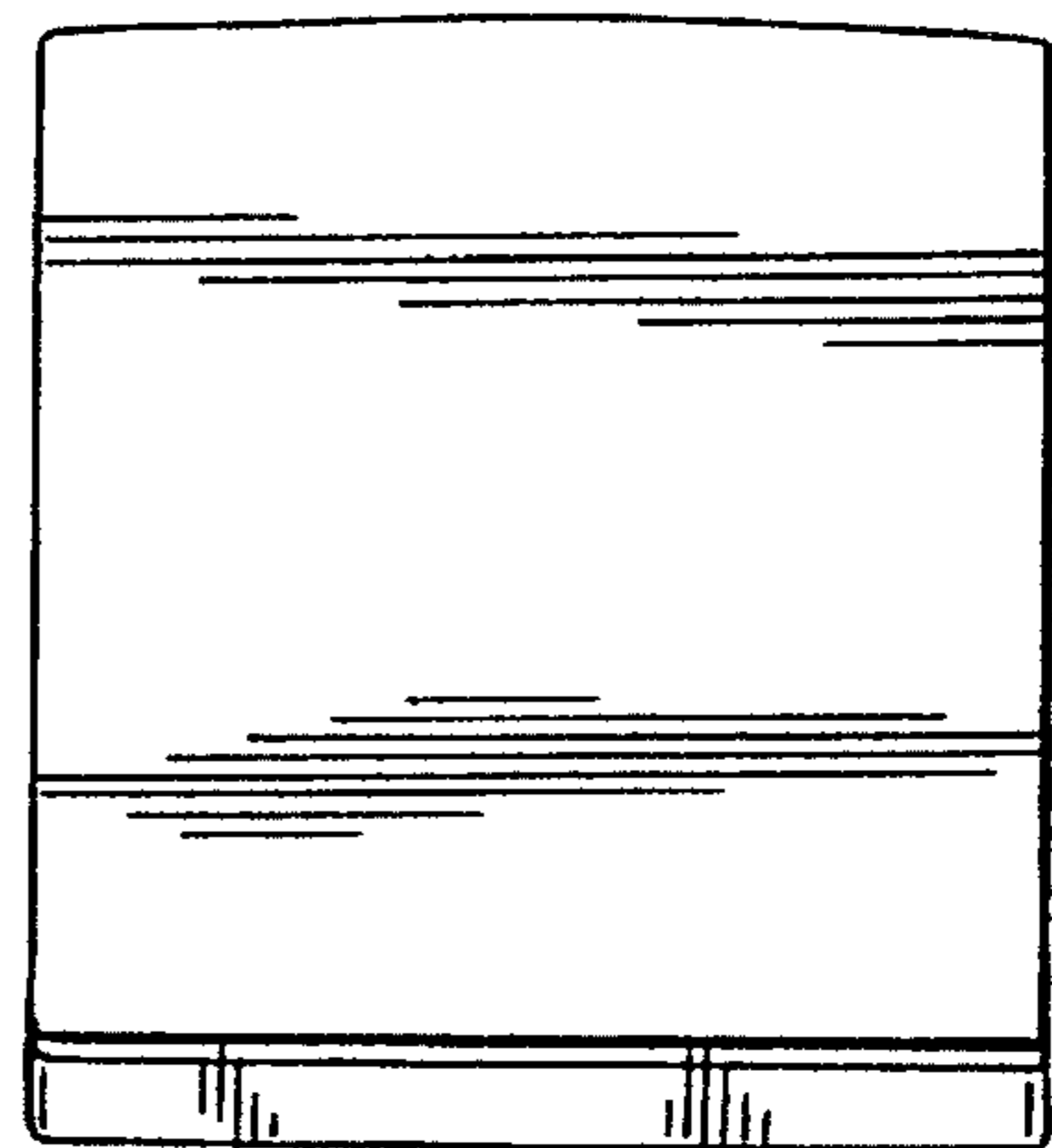


FIG. 7

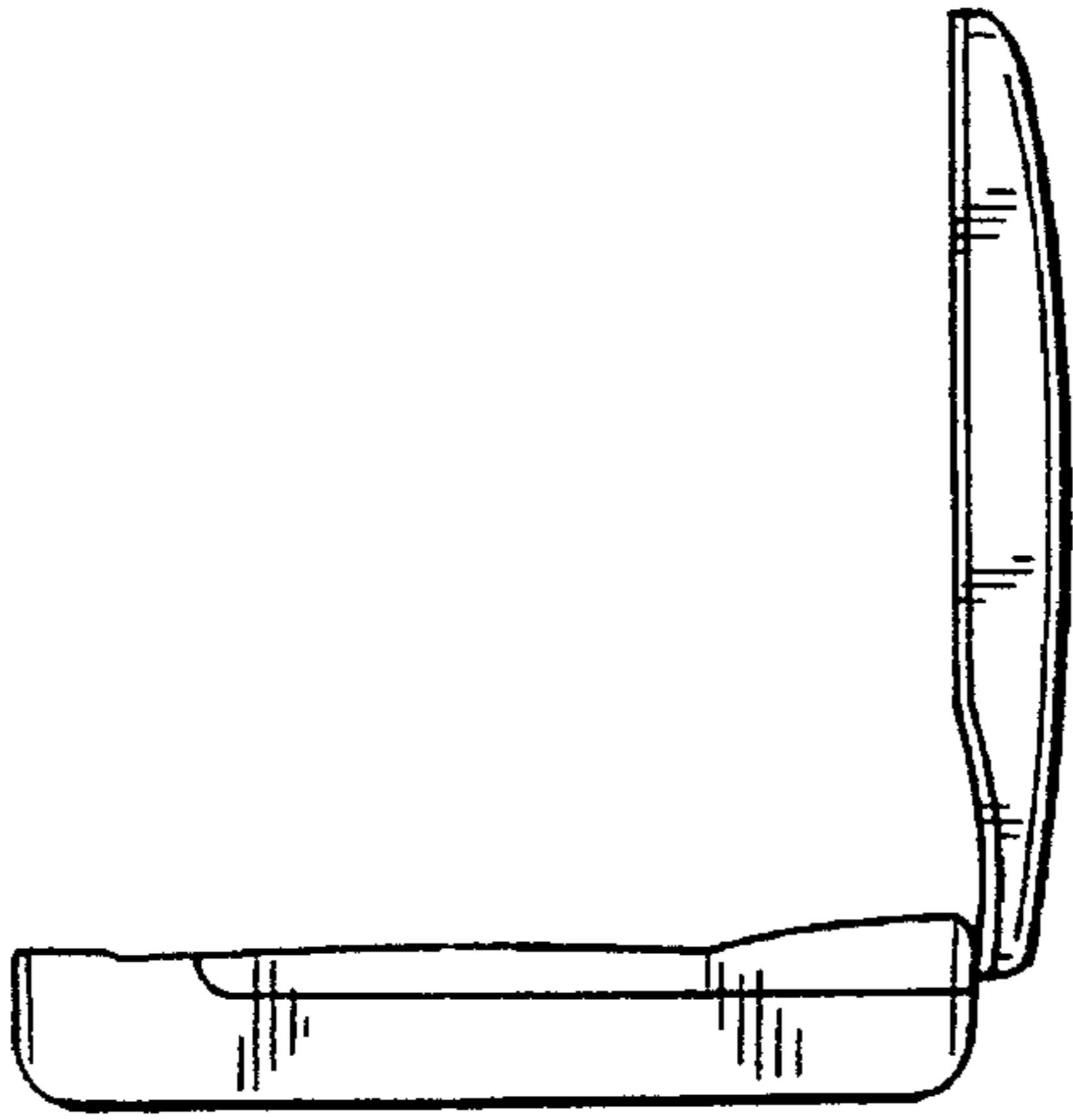


FIG. 8

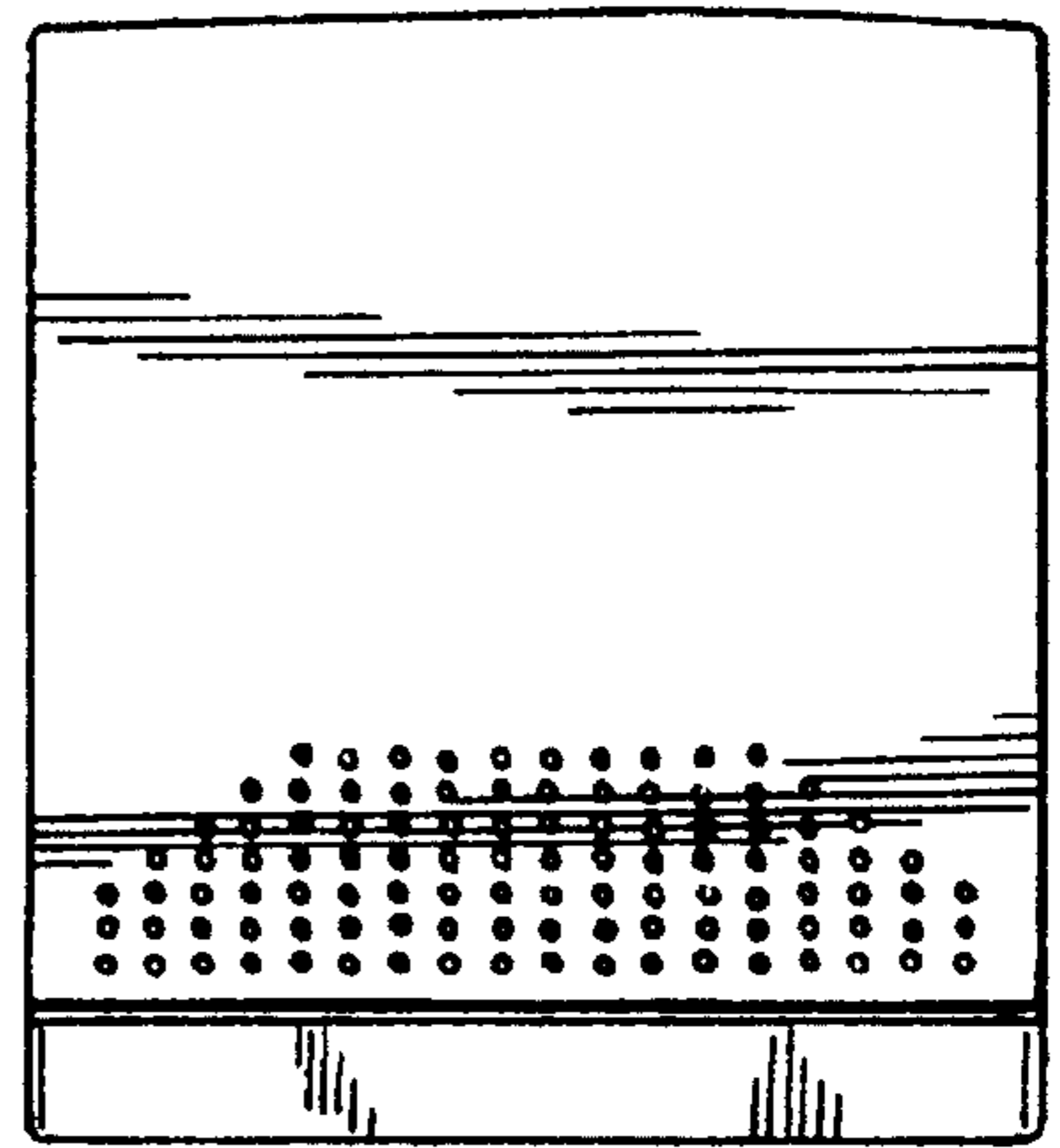


FIG. 9

