



US00D371355S

United States Patent [19]

[11] **Patent Number:** **Des. 371,355**

Sato

[45] **Date of Patent:** ****Jul. 2, 1996**

[54] **TELEVISION MONITOR**

[75] Inventor: **Toshiaki Sato**, Tokyo, Japan

[73] Assignee: **Sony Corporation**, Japan

[**] Term: **14 Years**

[21] Appl. No.: **34,616**

[22] Filed: **Feb. 8, 1995**

[30] **Foreign Application Priority Data**

Aug. 8, 1994 [JP] Japan 6-23653

[52] **U.S. Cl.** **D14/126; D14/113**

[58] **Field of Search** **D14/113, 124-134; 312/7.2; 348/825, 836, 838, 790-794**

[56] **References Cited**

U.S. PATENT DOCUMENTS

- D. 315,557 3/1991 Grewe et al. D14/130
- D. 316,856 5/1991 Urushihara et al. D14/126 X
- D. 321,870 11/1991 Beecher et al. D14/130

Primary Examiner—Ted Shooman
Assistant Examiner—Richelle Shelton
Attorney, Agent, or Firm—Beveridge, DeGrandi, Weilacher & Young

[57] **CLAIM**

The ornamental design for a television monitor, as shown and described.

DESCRIPTION

FIG. 1 is a perspective view of a television monitor showing my new design;

FIG. 2 is a top plan view thereof;

FIG. 3 is a left side elevation view thereof;

FIG. 4 is a front elevation view thereof;

FIG. 5 is a right side elevation view thereof;

FIG. 6 is a rear elevation view thereof;

FIG. 7 is a bottom plan view thereof; and,

FIG. 8 is a perspective view thereof, with the monitor attached to a base portion shown in broken lines for illustrative purposes only and forming no part of the claimed design.

1 Claim, 4 Drawing Sheets

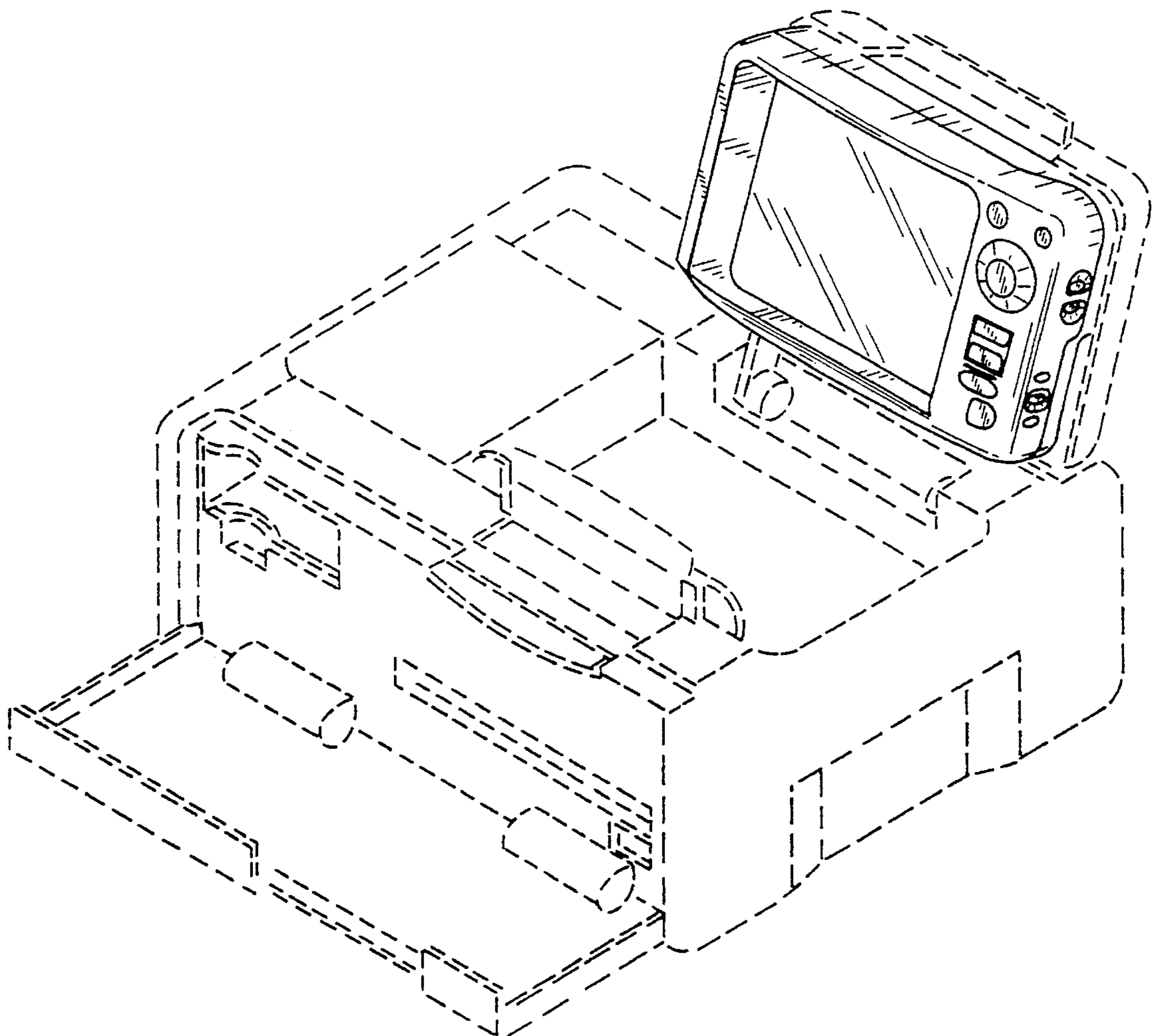


FIG.2

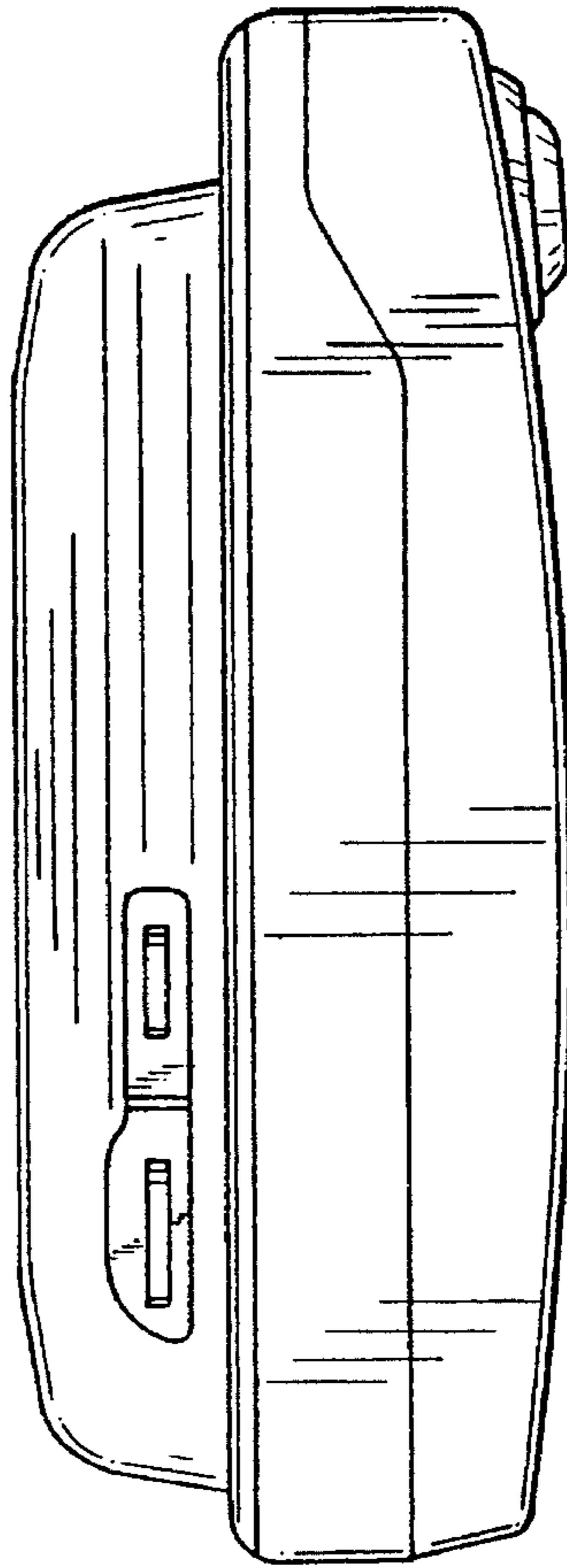


FIG.1

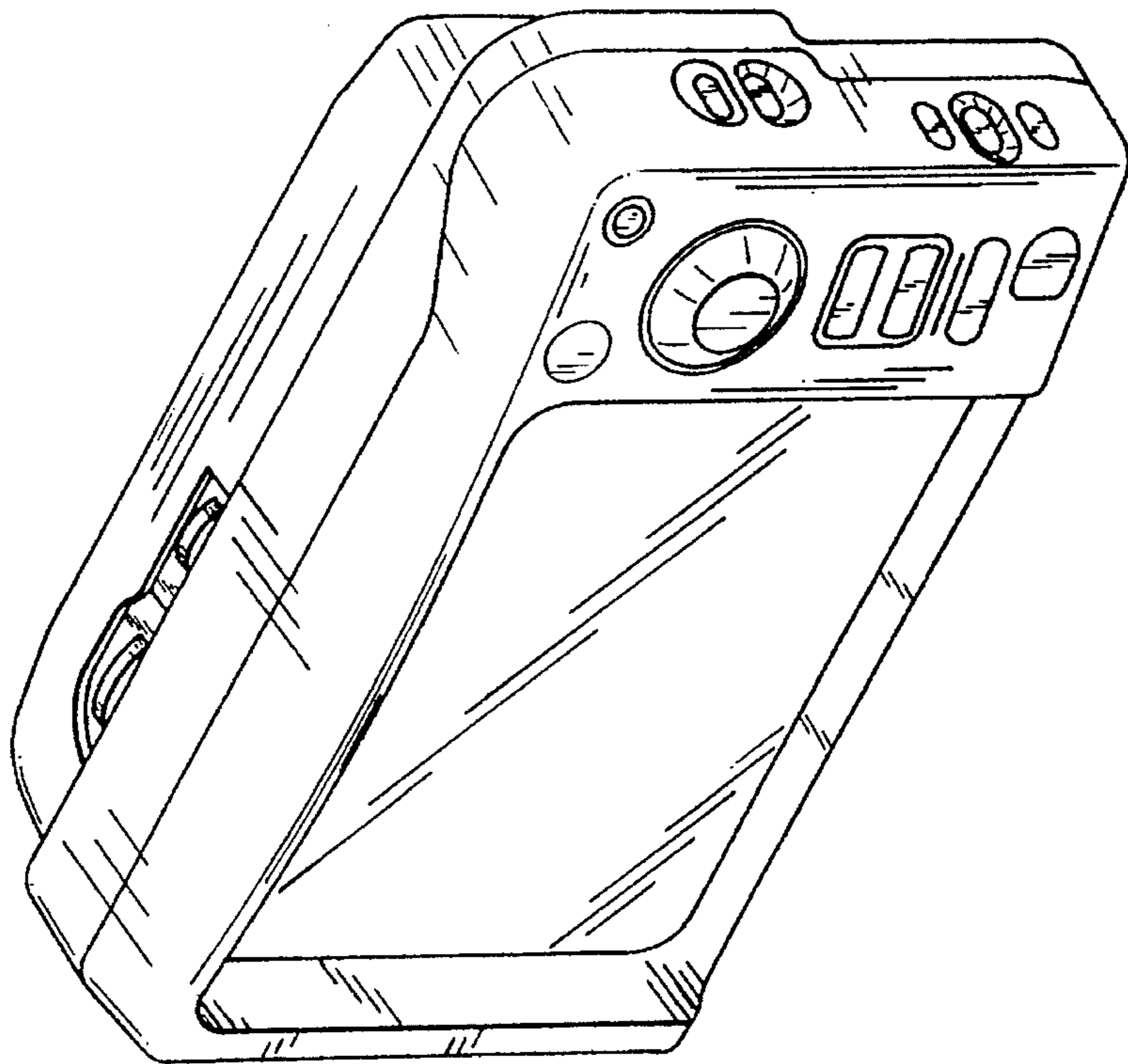


FIG. 5

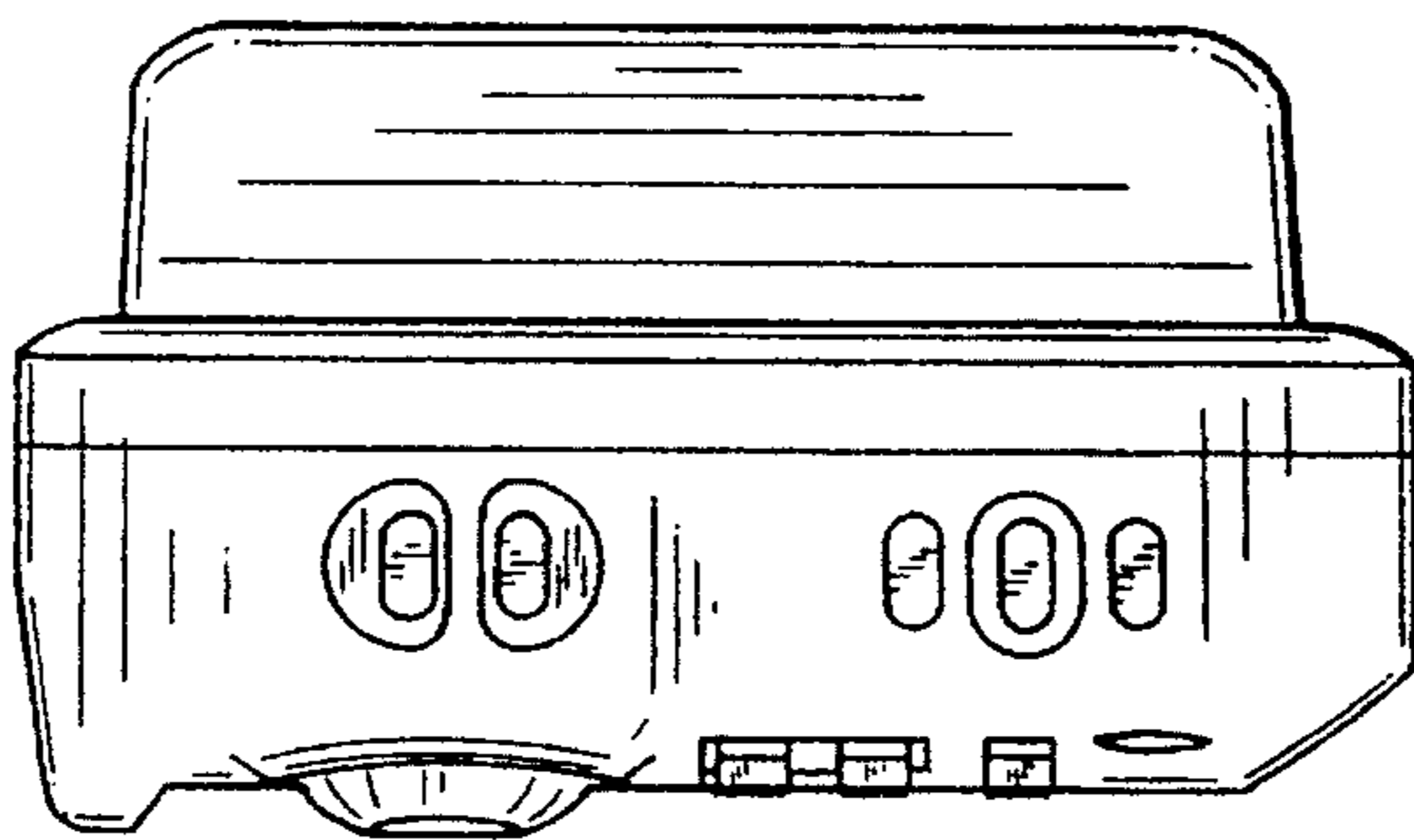


FIG. 4

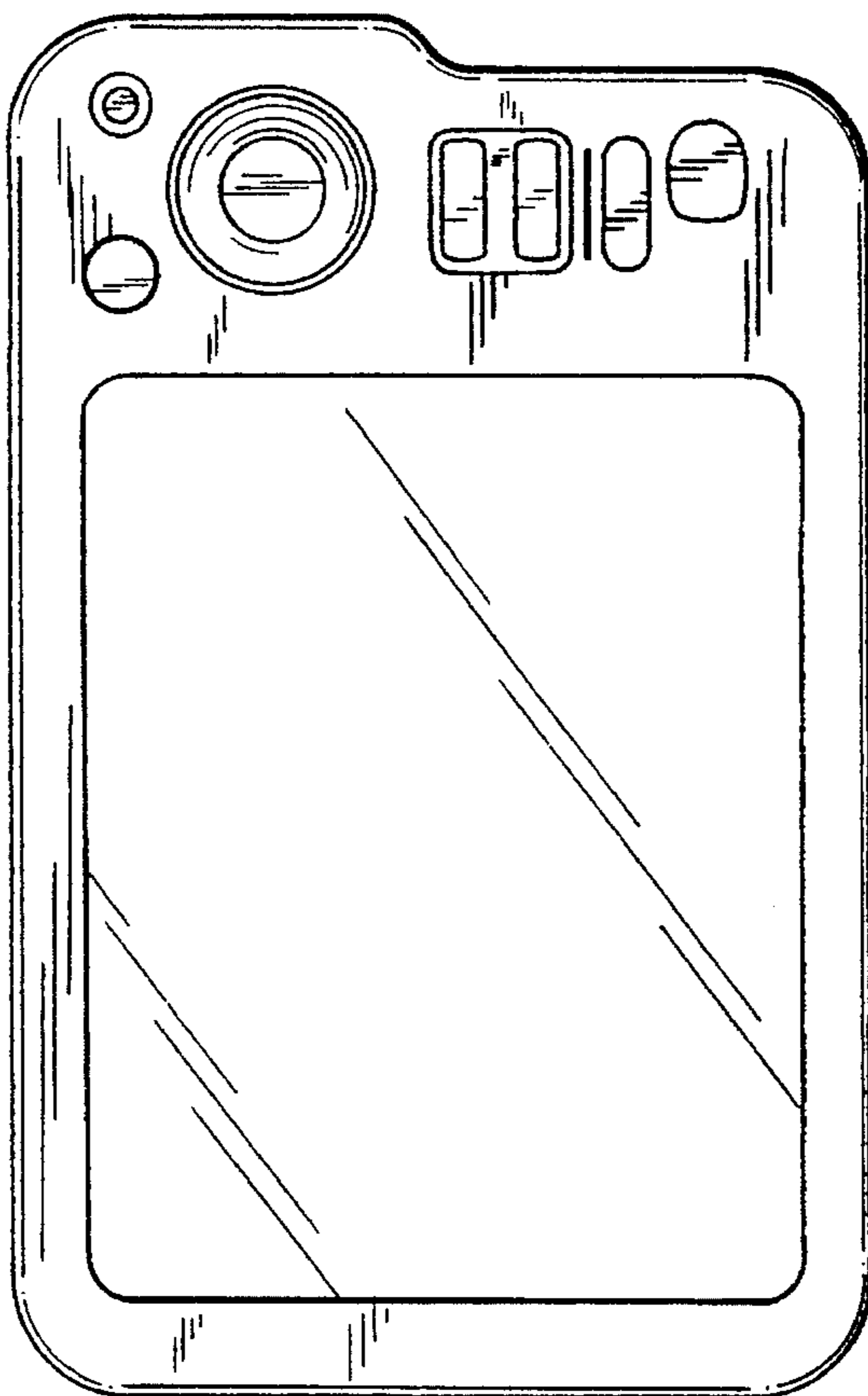


FIG. 3

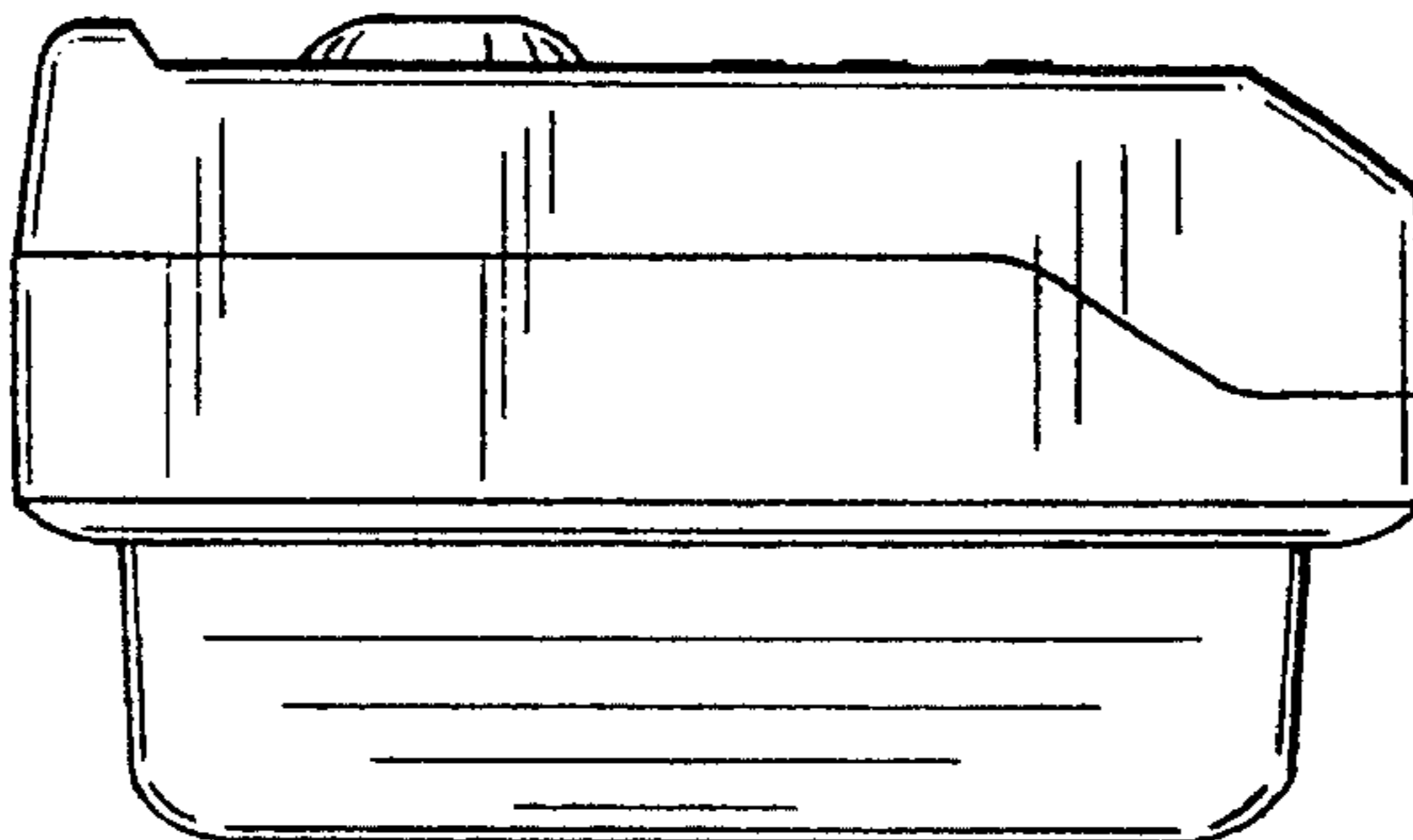


FIG.7

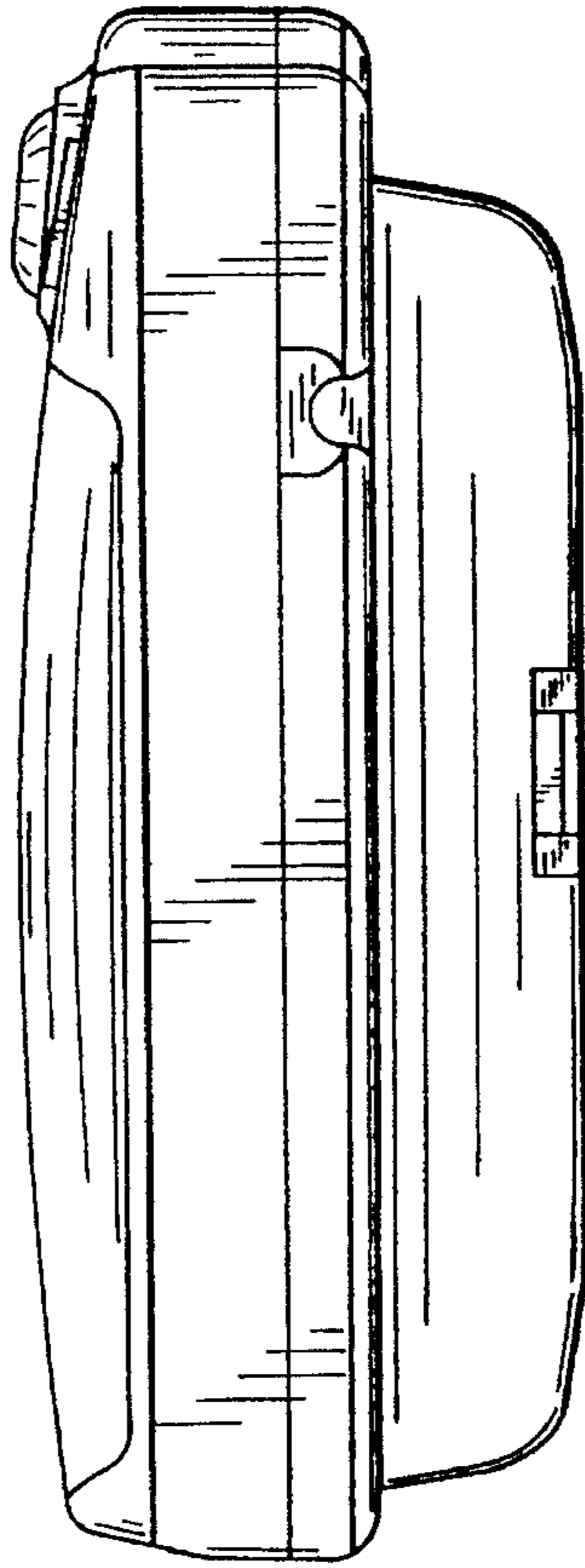
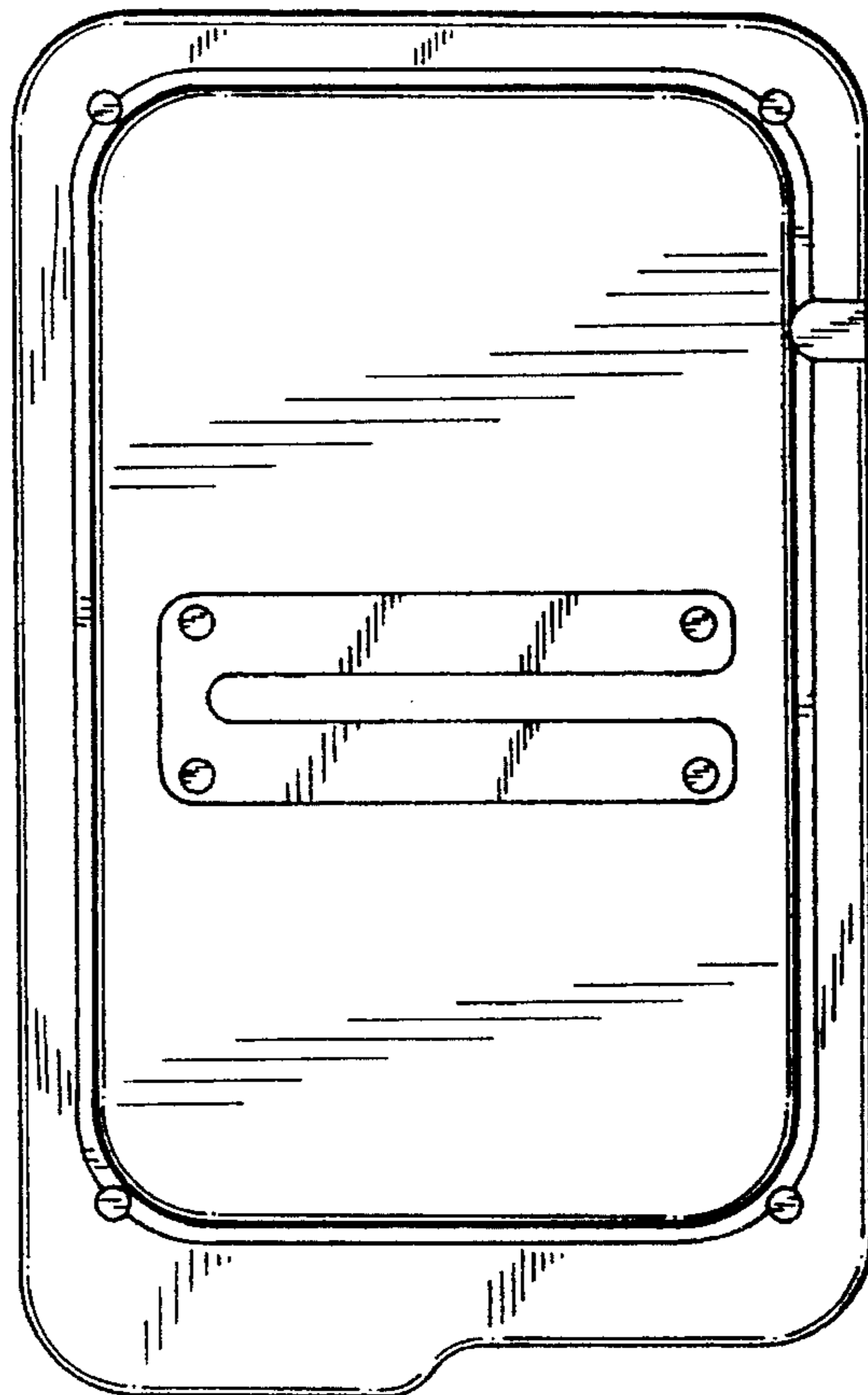


FIG.6



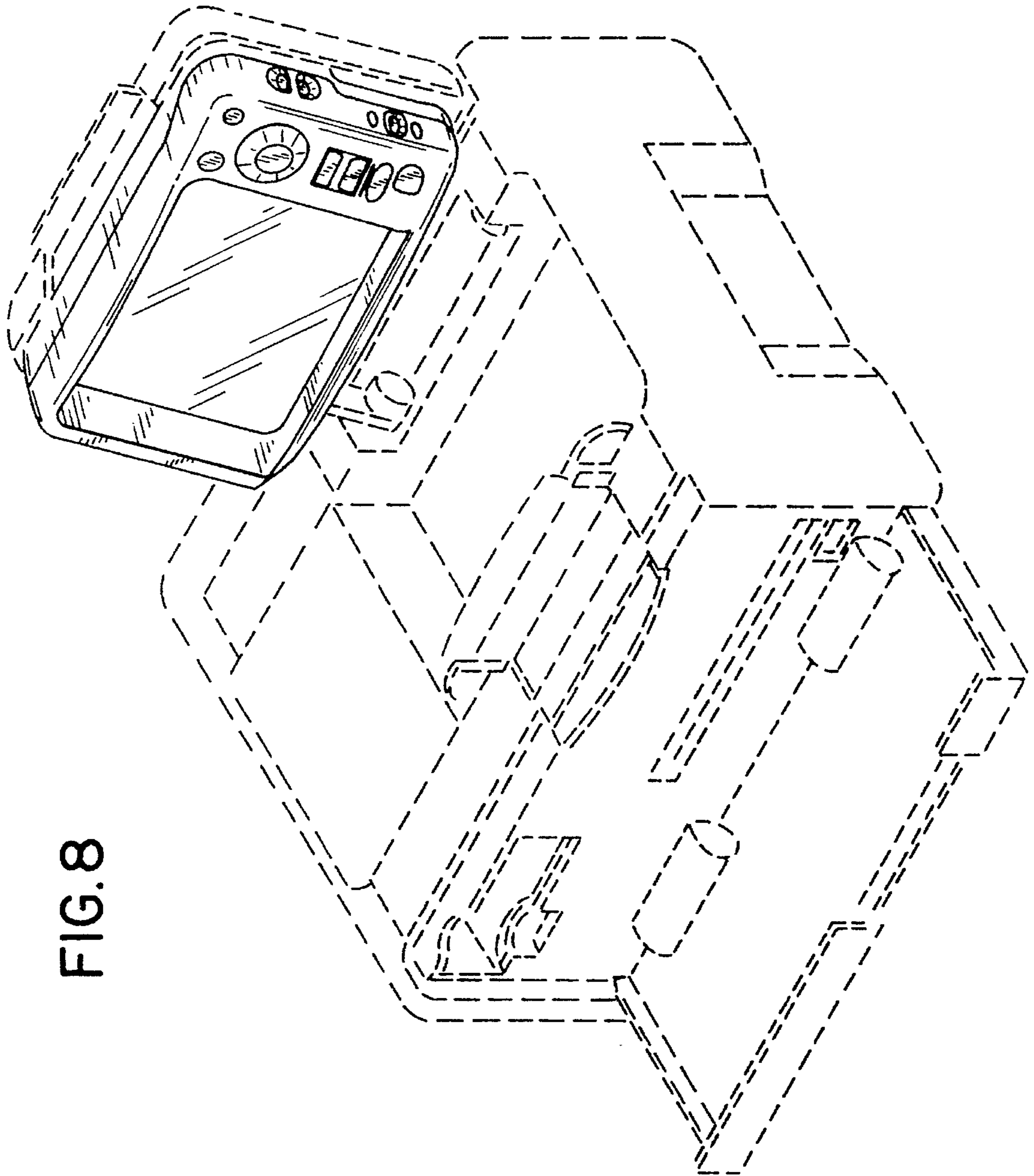


FIG. 8