



US00D371354S

# United States Patent [19]

[11] Patent Number: **Des. 371,354**

Meyerhoefer et al.

[45] Date of Patent: **\*\*Jul. 2, 1996**

[54] **FILM CASSETTE WITH FILM EXPOSURE STATUS INDICIA**

D. 355,180	2/1995	Zander	.....	D14/121
2,072,625	3/1937	Rose	.....	D14/121 X
5,083,155	1/1992	Kataoka et al.	.....	242/344 X
5,234,175	8/1993	Pagano	.....	354/275 X
5,274,412	12/1993	Stoneham et al.	.....	354/275
5,347,334	9/1994	Smart et al.	.....	354/275

[75] Inventors: **Daniel T. Meyerhoefer**, Penfield;  
**Walter B. Sherwood**, Rochester, both  
of N.Y.

*Primary Examiner*—Prabhakar G. Deshmukh  
*Attorney, Agent, or Firm*—Roger A. Fields

[73] Assignee: **Eastman Kodak Company**, Rochester,  
N.Y.

[\*\*] Term: **14 Years**

## [57] CLAIM

[21] Appl. No.: **31,148**

The ornamental design for a film cassette with film exposure status indicia, as shown and described.

[22] Filed: **Nov. 16, 1994**

## DESCRIPTION

[52] **U.S. Cl.** ..... **D14/121**

[58] **Field of Search** ..... D14/120–123,  
D14/299; 242/344, 348, 347, 348.4, 912;  
354/275, 276, 277; D9/424

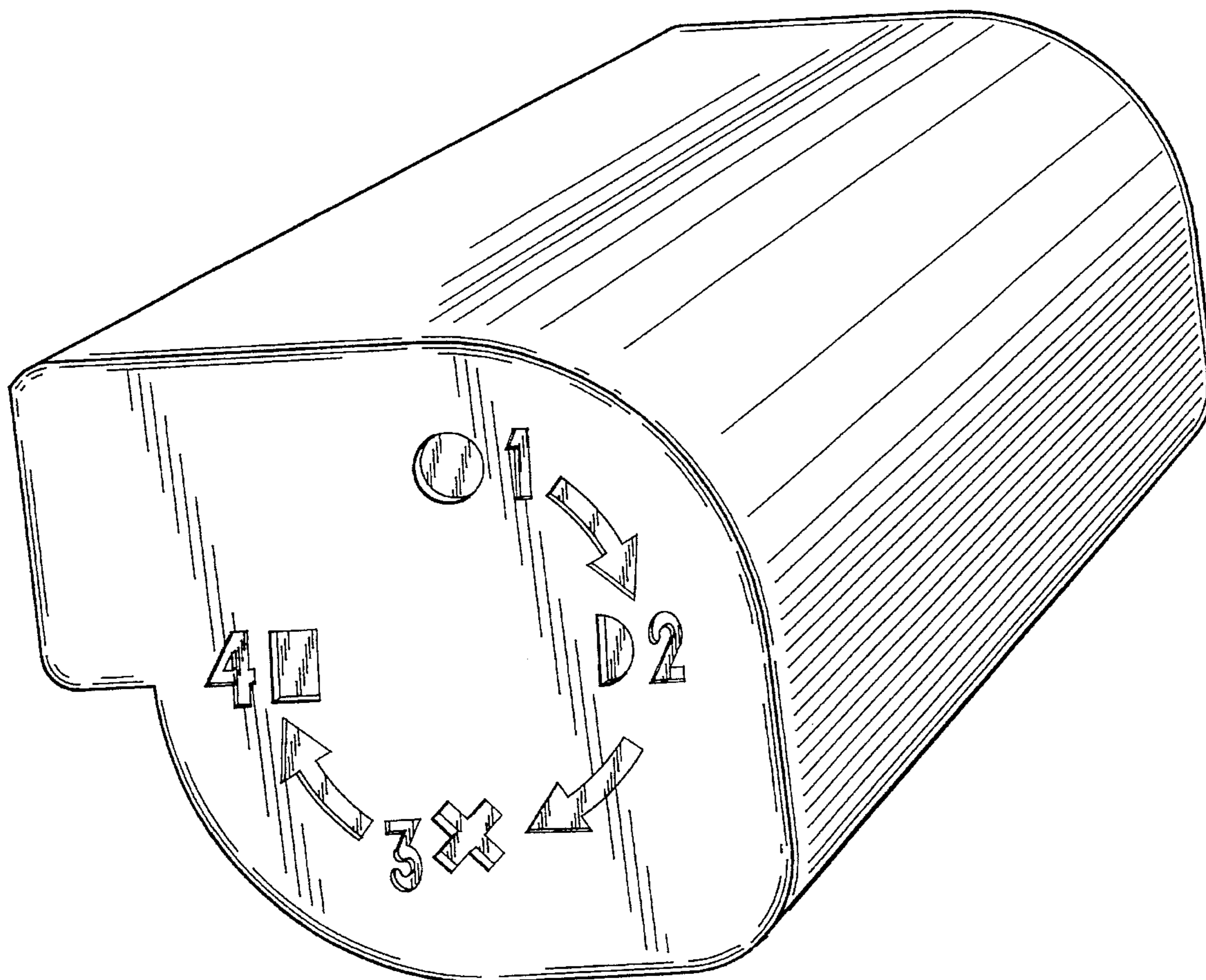
FIG. 1 is a front, left-side perspective view of a film cassette with film exposure status indicia, showing our new design; FIG. 2 is a rear, right-side perspective view thereof; FIG. 3 is a front elevation view thereof; FIG. 4 is a rear elevation view thereof; FIG. 5 is a top plan view thereof; FIG. 6 is a bottom plan view thereof; FIG. 7 is a left-side elevation view thereof; and, FIG. 8 is a right-side elevation view thereof.

## [56] References Cited

### U.S. PATENT DOCUMENTS

D. 328,862	8/1992	Janssen et al.	.....	D9/414
D. 330,549	10/1992	Takahashi	.....	D14/121
D. 330,550	10/1992	Takahashi	.....	D14/121
D. 342,673	12/1993	Kataoka et al.	.....	D14/121 X

**1 Claim, 8 Drawing Sheets**



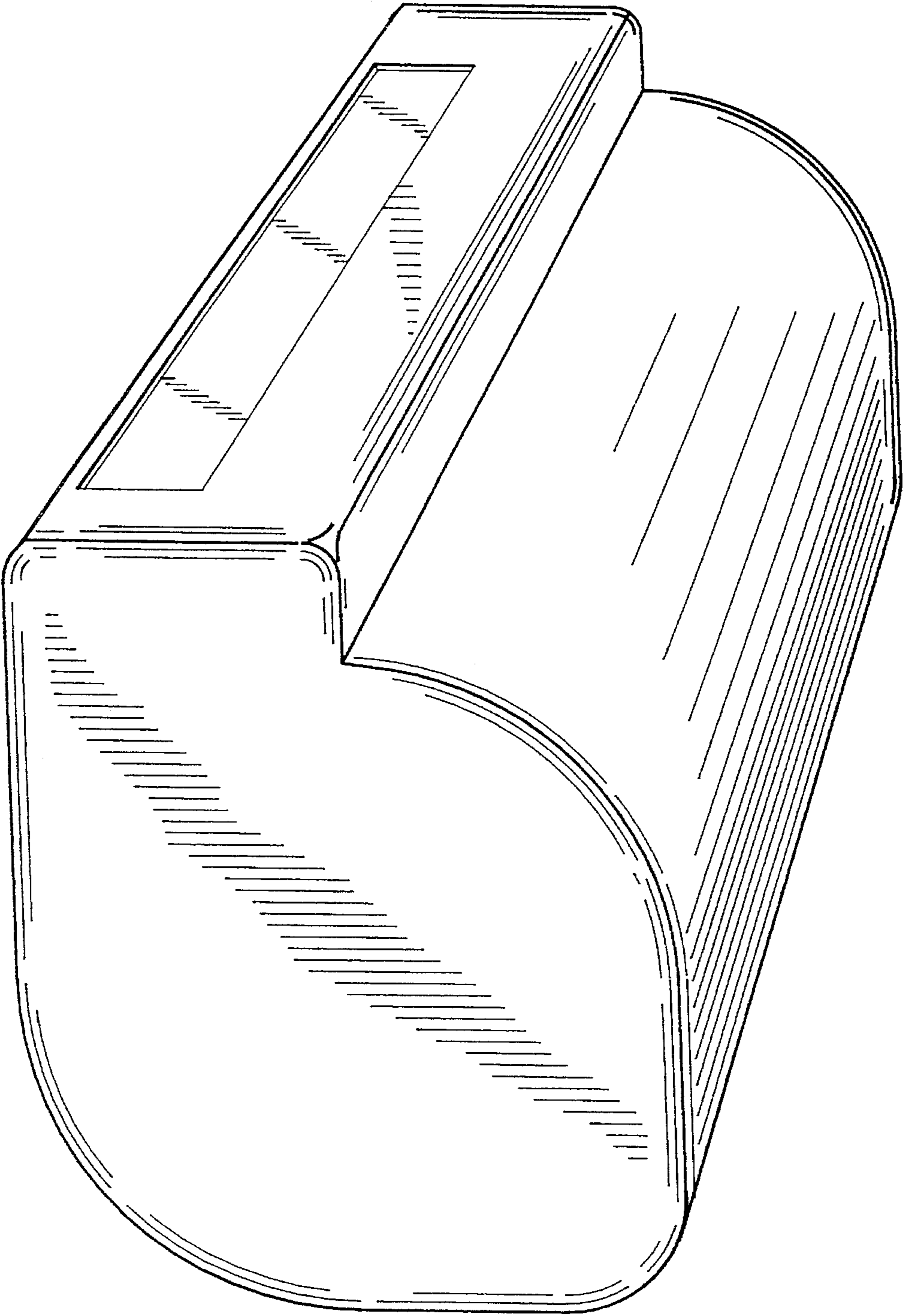


FIG. 1

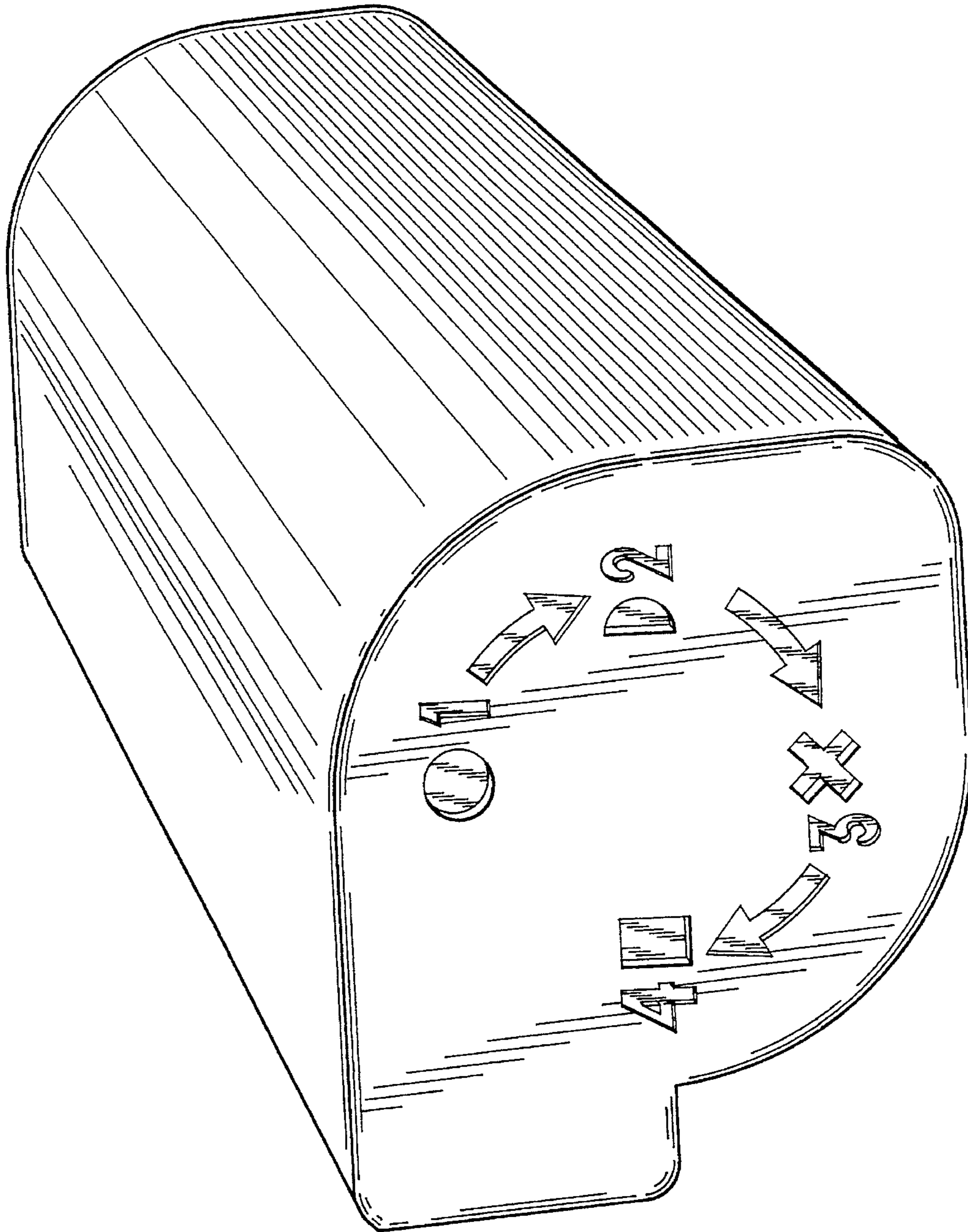


FIG. 2



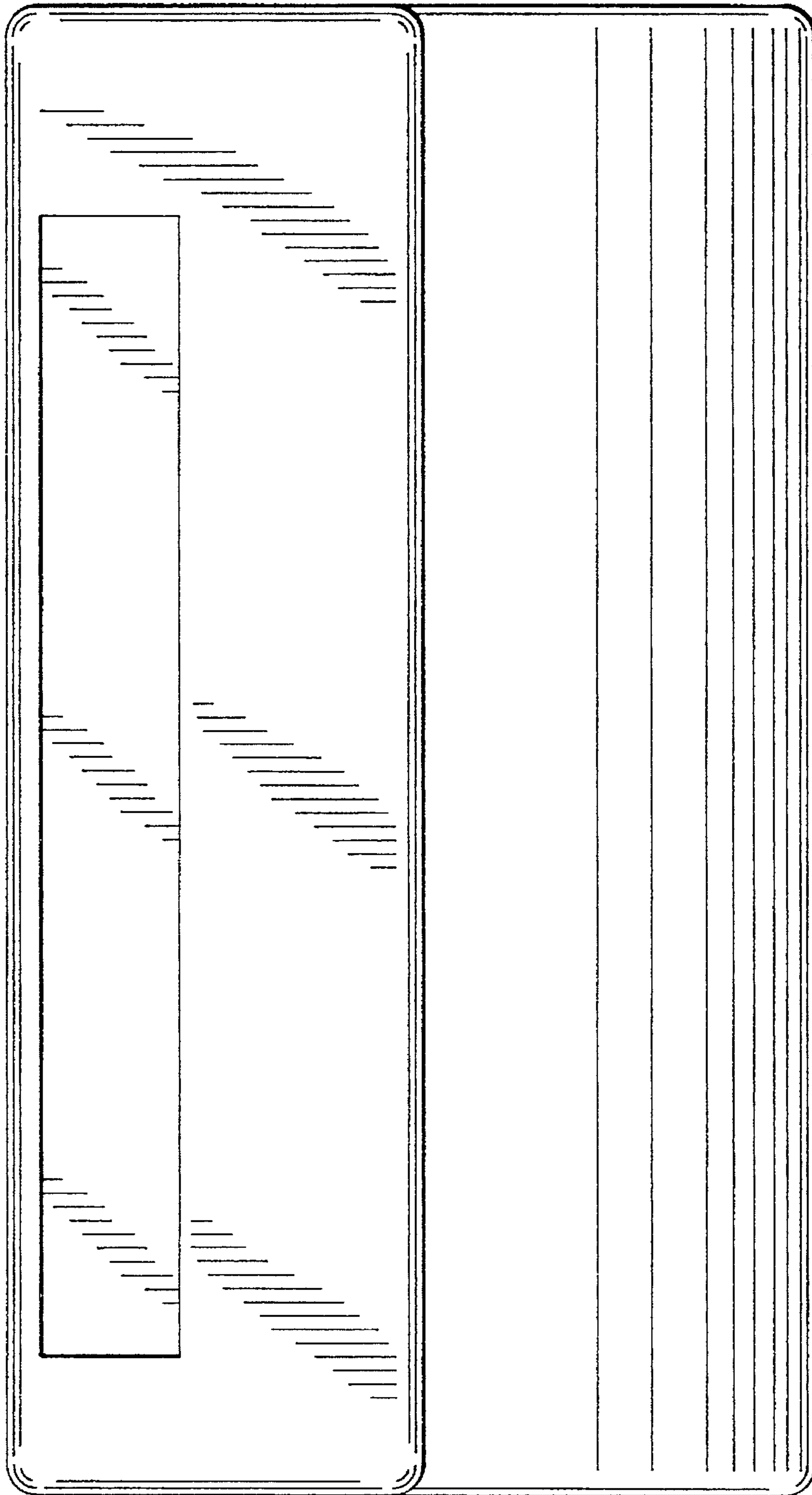


FIG. 3

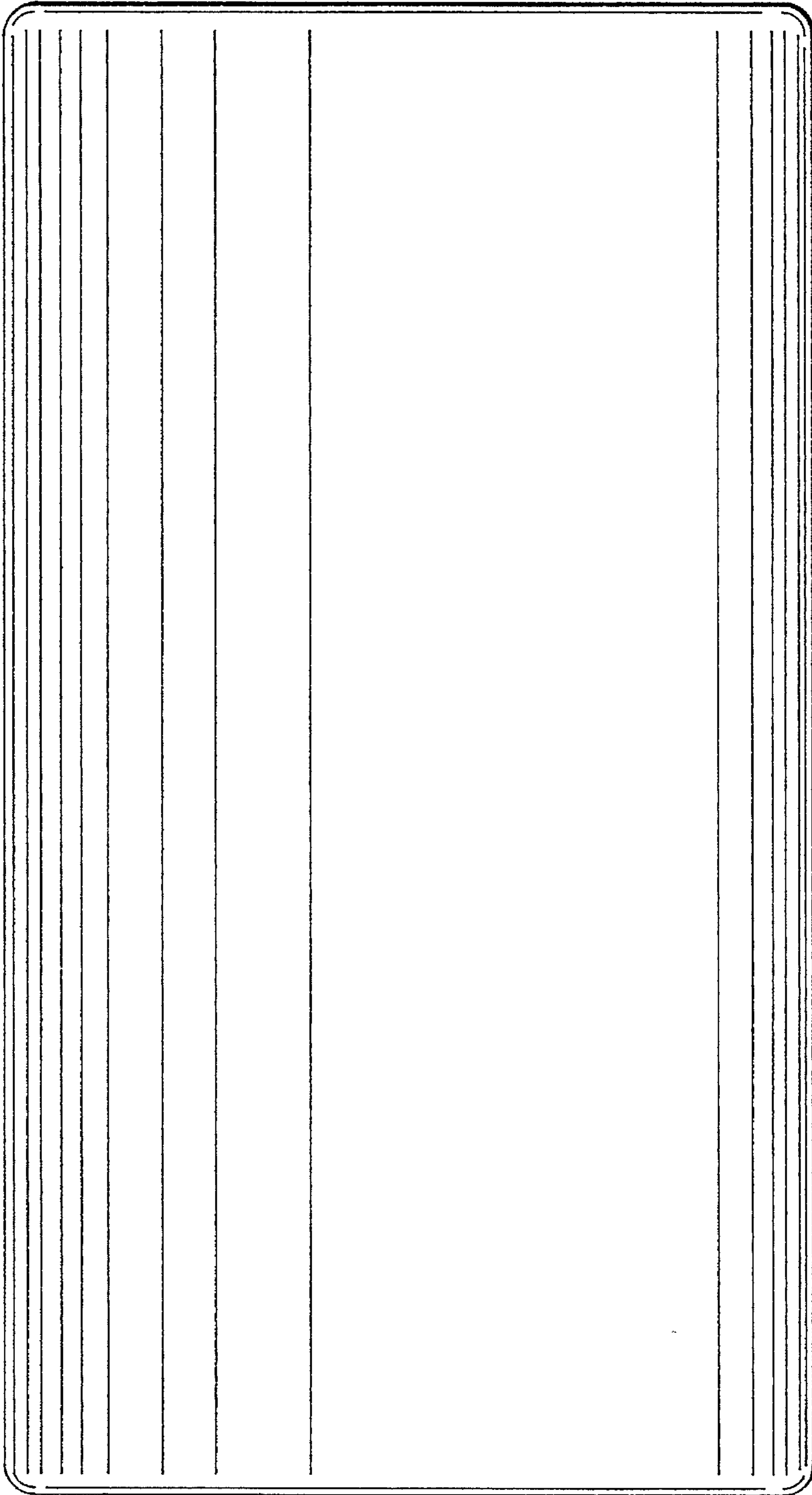


FIG. 4

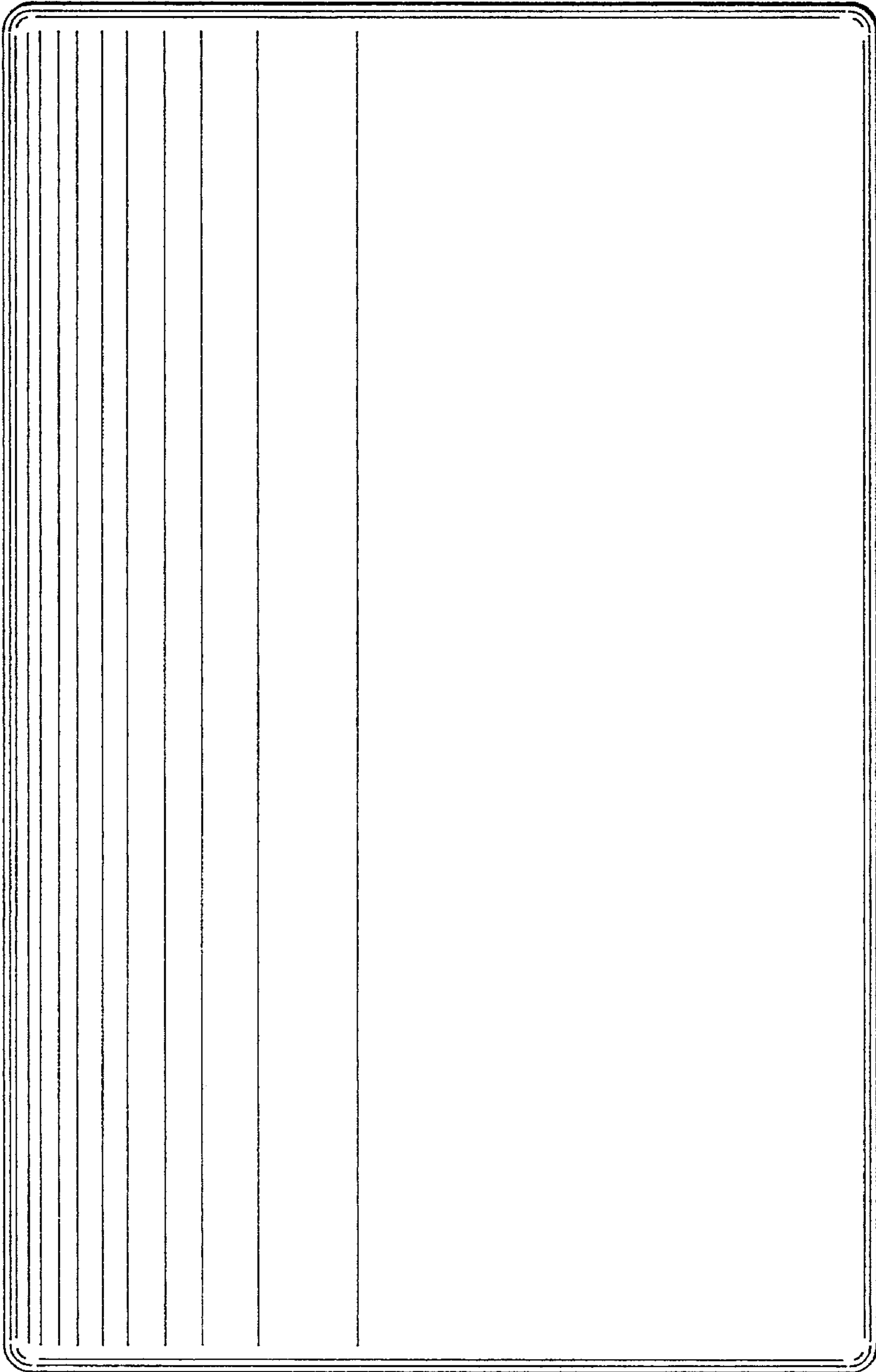


FIG. 5

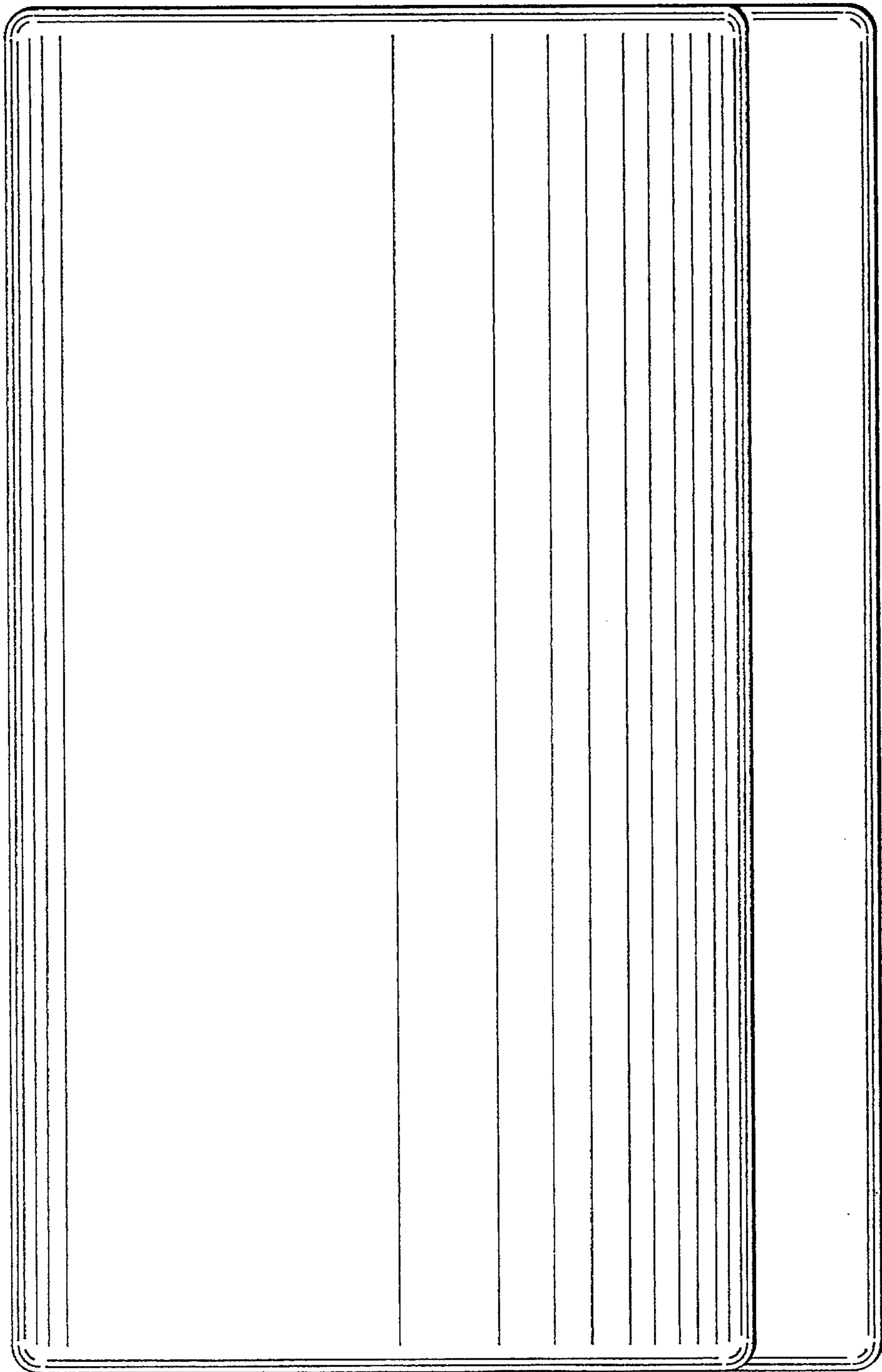


FIG. 6

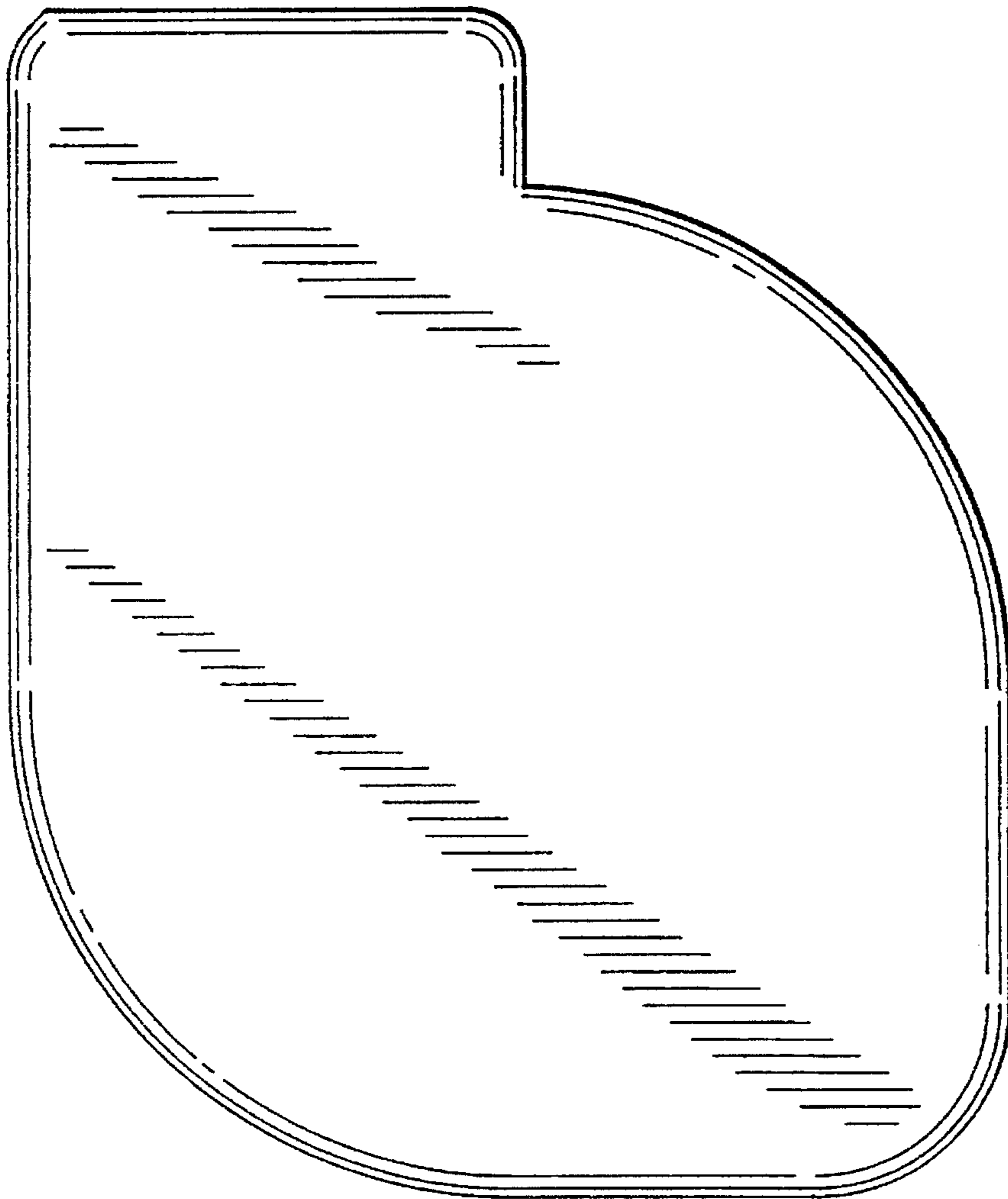


FIG. 7



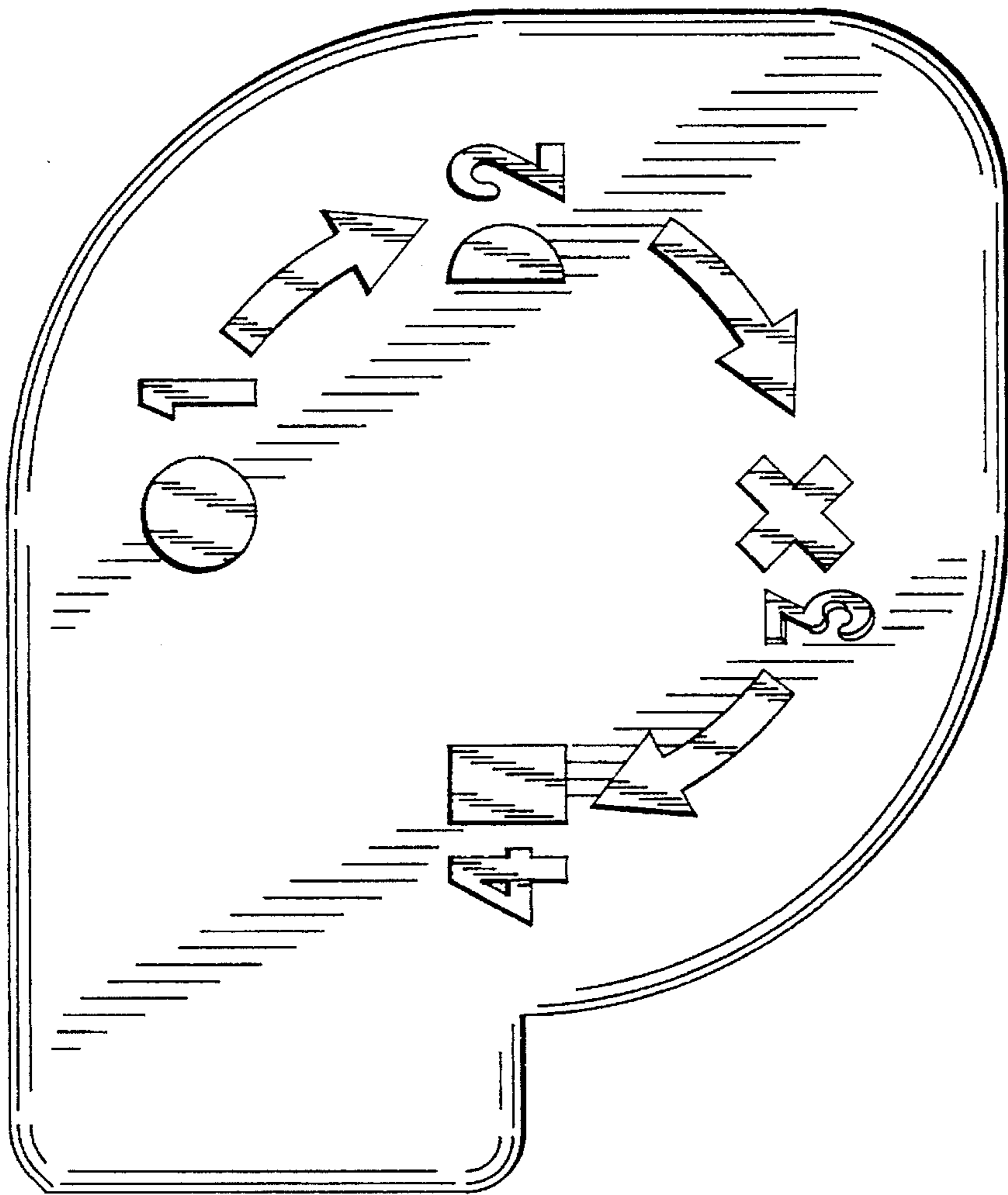


FIG. 8