



US00D371350S

**United States Patent** [19]  
**Chavarria**

[11] **Patent Number: Des. 371,350**

[45] **Date of Patent: \*\*Jul. 2, 1996**

[54] **COMPUTER MOUSE**

D. 350,736 9/1994 Takahashi et al. .... D14/114

[76] Inventor: **Tammy Chavarria**, 7021 S. 115th,  
Seattle, Wash. 98178

*Primary Examiner*—M. H. Tung  
*Attorney, Agent, or Firm*—Harold H. Dutton, Jr.; W. Charles  
L. Jamison; Diane F. Liebman

[\*\*] Term: **14 Years**

[57] **CLAIM**

[21] Appl. No.: **33,852**

The ornamental design for a computer mouse, as shown and described.

[22] Filed: **Jan. 23, 1995**

[52] U.S. Cl. .... **D14/114**

[58] **Field of Search** ..... D14/100, 114;  
D13/158; D21/48; 178/18-9; 200/5 R, 5 A,  
6 R, 6 A; 213/148 B; 273/148 B, 438;  
345/156-67; 74/471 XY

**DESCRIPTION**

FIG. 1 is a top perspective view of a computer mouse showing my new design;  
FIG. 2 is a bottom plan view thereof;  
FIG. 3 is a right side view thereof;  
FIG. 4 is a left side view thereof;  
FIG. 5 is a front view thereof; and,  
FIG. 6 is a rear view thereof.

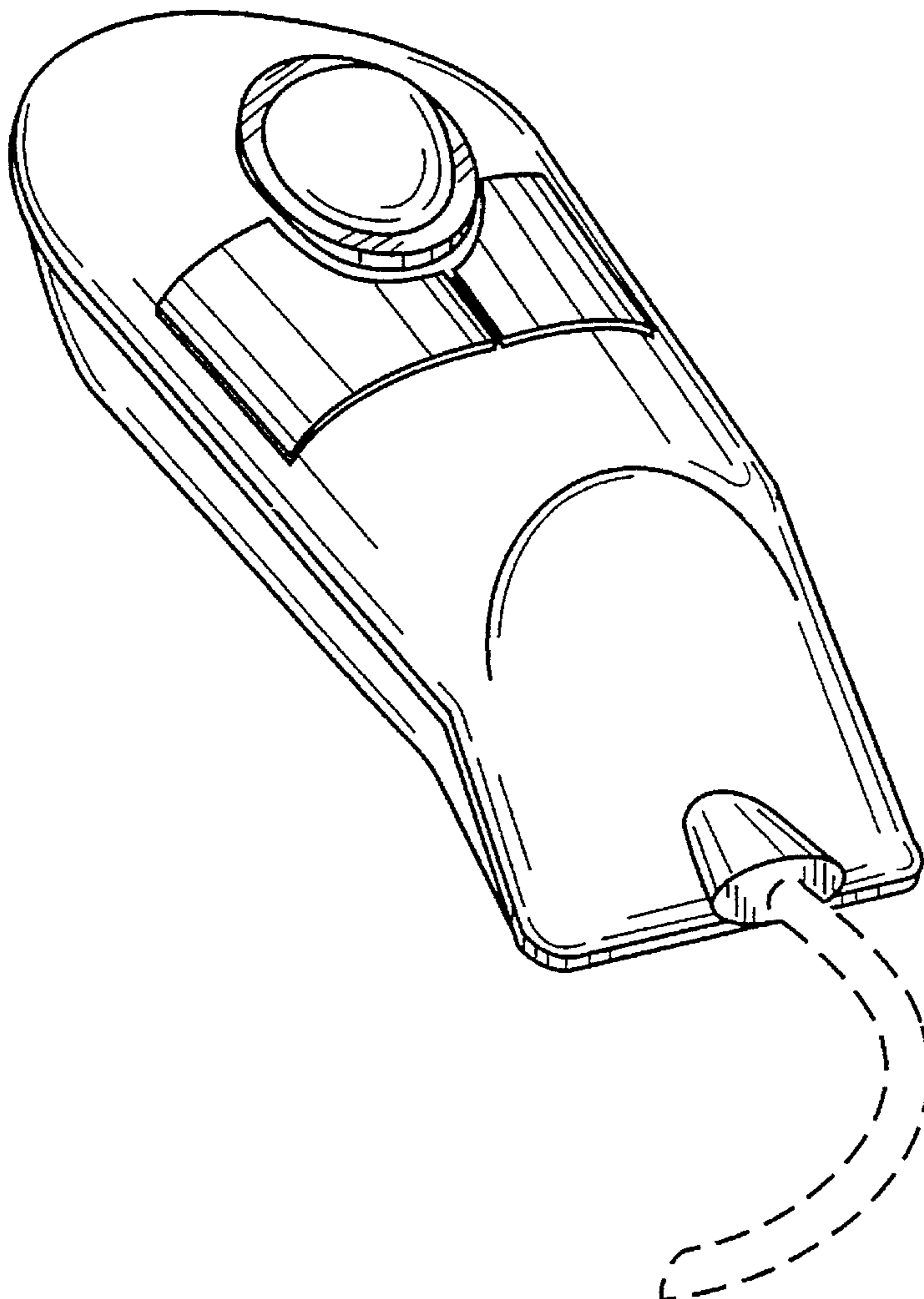
[56] **References Cited**

**U.S. PATENT DOCUMENTS**

- D. 327,674 7/1992 Kuo ..... D14/114
- D. 340,042 10/1993 Copper et al. .... D14/114
- D. 342,241 12/1993 Ashmun et al. .... D14/114
- D. 342,256 12/1993 Payne et al. .... D14/114 X
- D. 347,628 6/1994 Ashmun et al. .... D14/114

The broken line drawing of an electrical cord is for illustrative purposes only and forms no part of the claimed design.

**1 Claim, 3 Drawing Sheets**



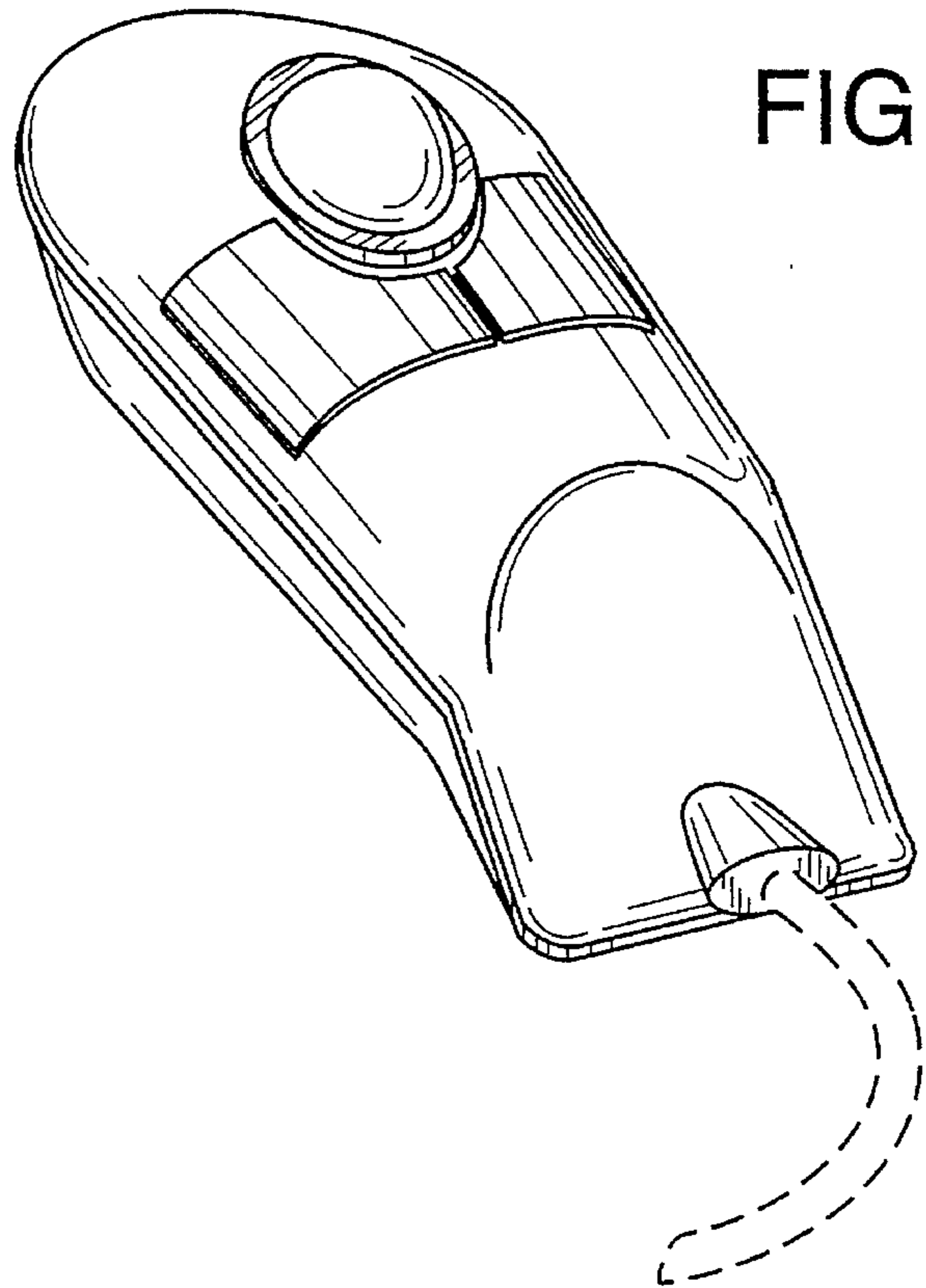


FIG. 1

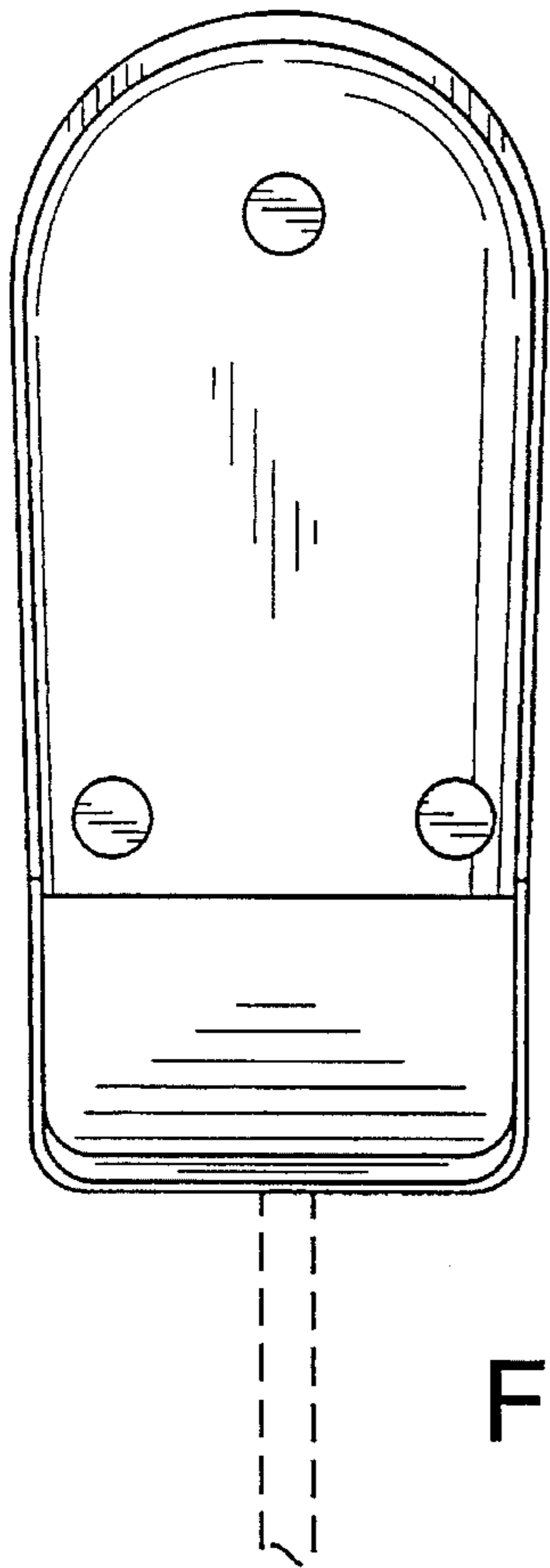


FIG. 2

FIG. 3

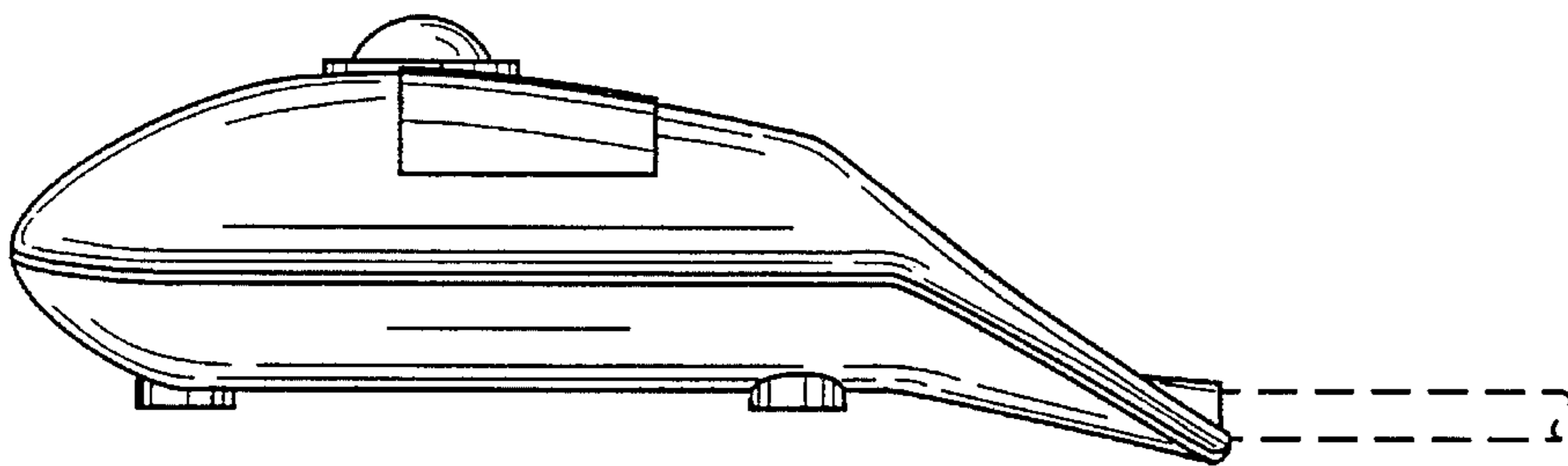
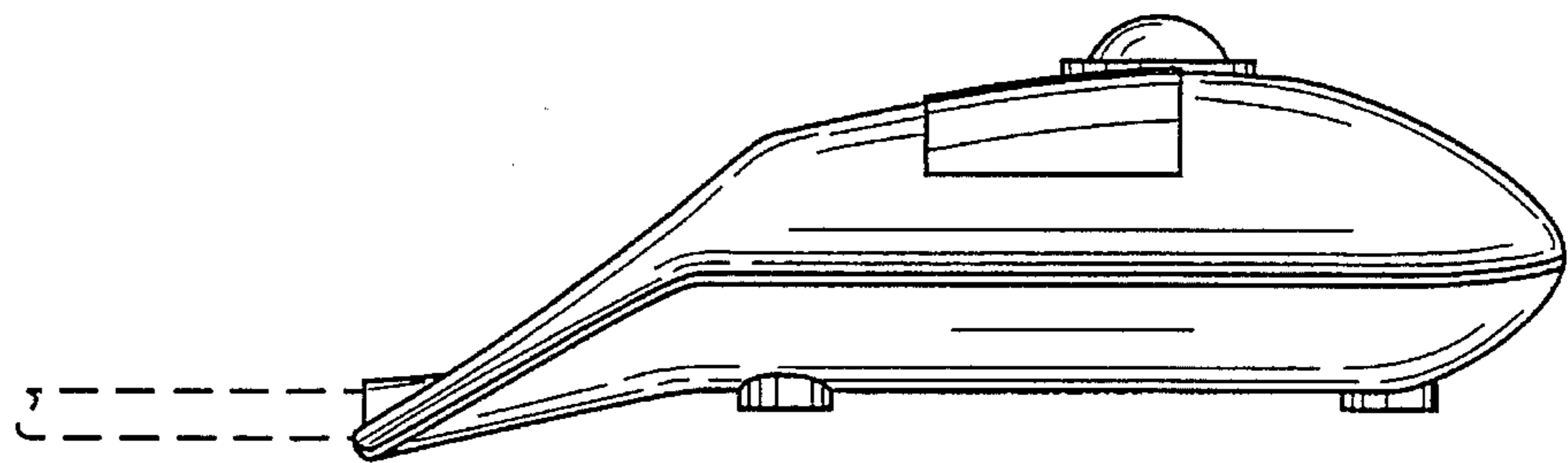


FIG. 4



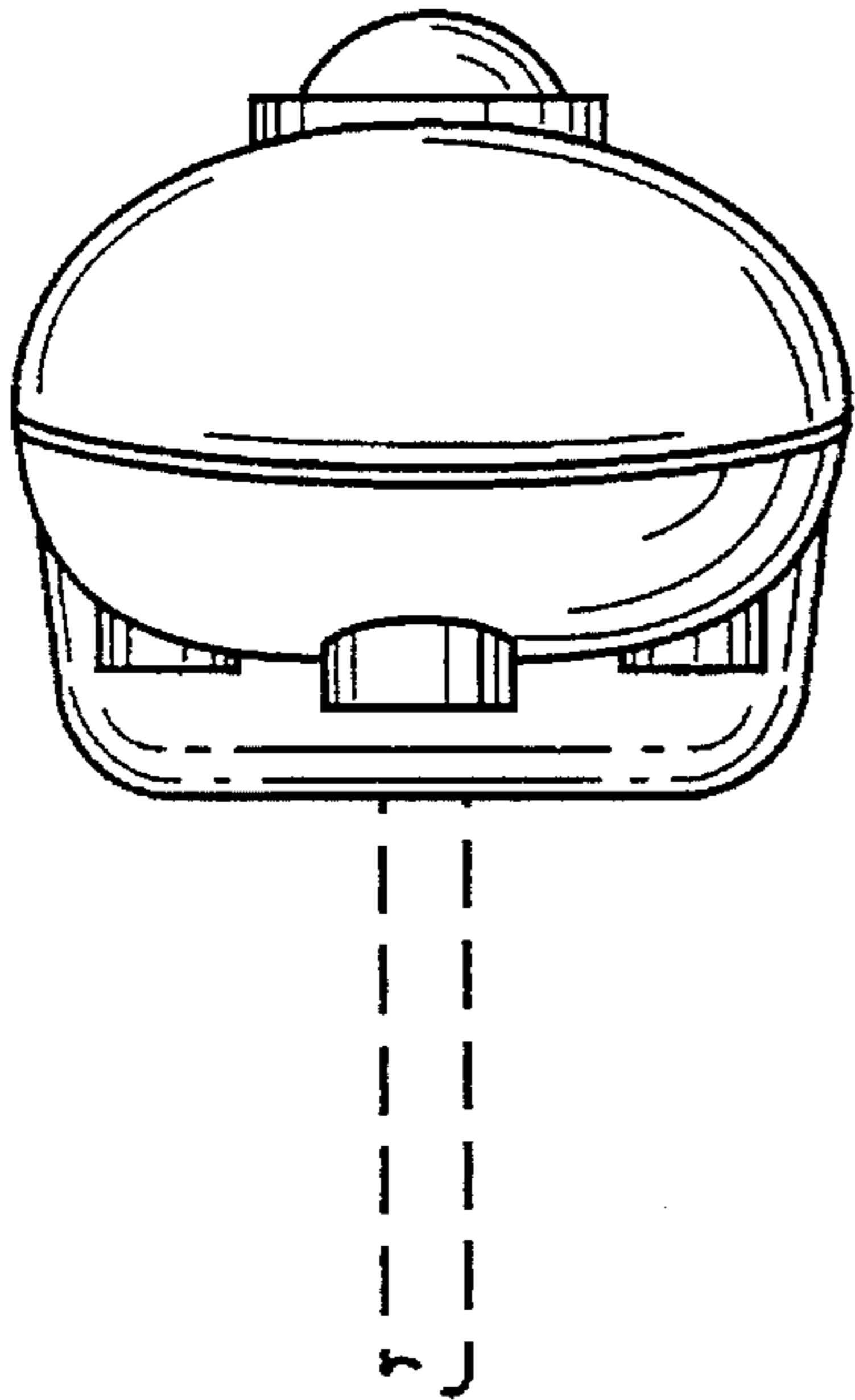


FIG. 5

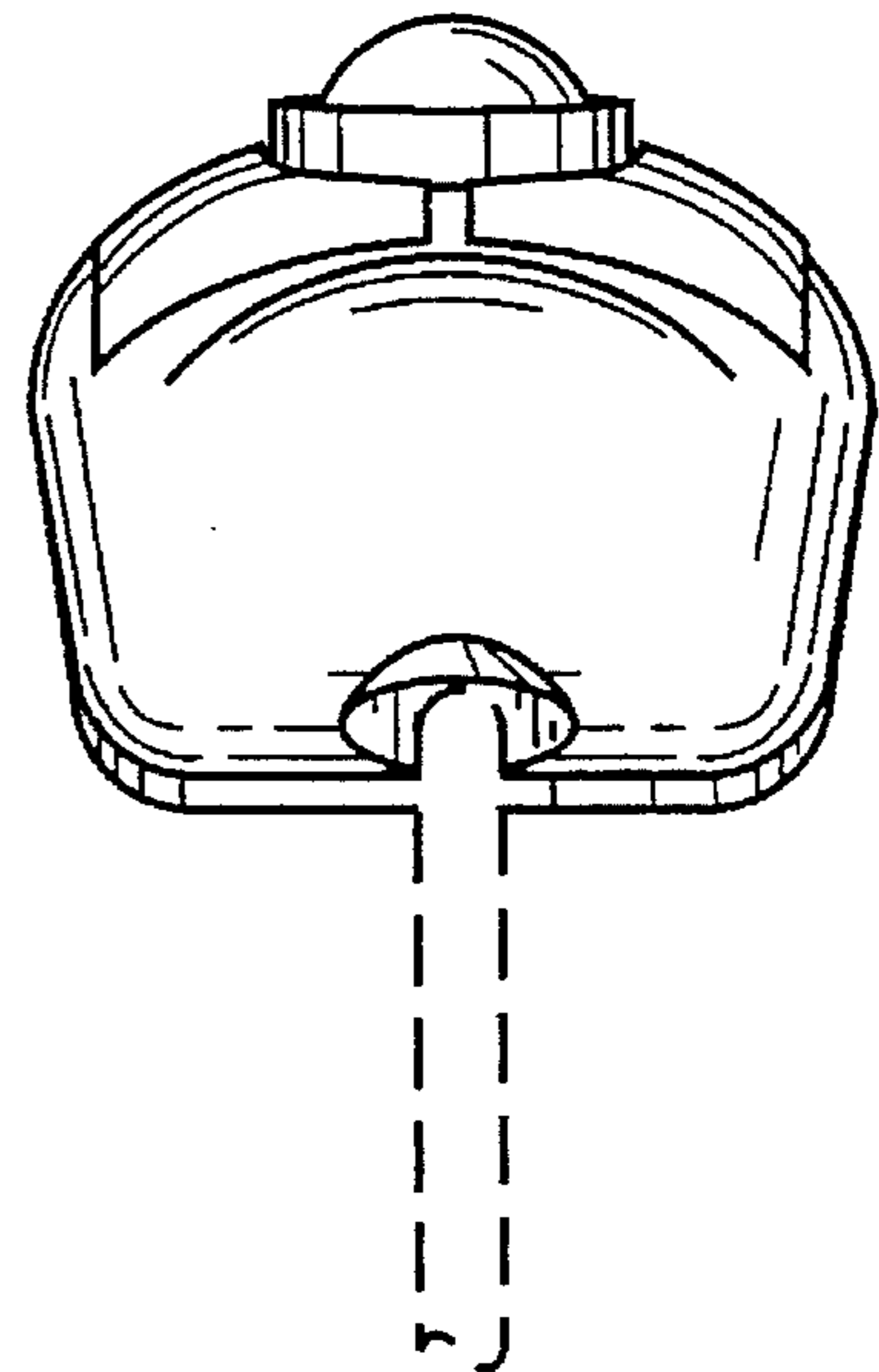


FIG. 6